



(51) International Patent Classification:

B22F 3/115 (2006.01) B22F 9/08 (2006.01)
B22F 5/02 (2006.01) C22C 33/02 (2006.01)

(21) International Application Number:

PCT/US2013/029792

(22) International Filing Date:

8 March 2013 (08.03.2013)

(25) Filing Language:

English

(26) Publication Language:

English

(30) Priority Data:

61/608,853 9 March 2012 (09.03.2012) US

(71) Applicant: **FEDERAL-MOGUL CORPORATION** [US/US]; 26555 Northwestern Highway, Southfield, MI 48033 (US).

(72) Inventors: **CHRISTOPHERSON, JR., Denis, B.**; 812 W. Jefferson St., Waupun, WI 53963 (US). **L'ESPERANCE, Gilles**; 23 Alsace, Candiac, Quebec, J5R6 (CA). **KOTH, Jeremy**; 253 North Musket Ridge, Sun Prairie, WI 53590 (US).

(74) Agents: **STEARNS, Robert, L.** et al.; Dickinson Wright PLLC, 2600 W. Big Beaver Road, Suite 300, Troy, MI 48084-3312 (US).

(81) Designated States (unless otherwise indicated, for every kind of national protection available): AE, AG, AL, AM,

AO, AT, AU, AZ, BA, BB, BG, BH, BN, BR, BW, BY, BZ, CA, CH, CL, CN, CO, CR, CU, CZ, DE, DK, DM, DO, DZ, EC, EE, EG, ES, FI, GB, GD, GE, GH, GM, GT, HN, HR, HU, ID, IL, IN, IS, JP, KE, KG, KM, KN, KP, KR, KZ, LA, LC, LK, LR, LS, LT, LU, LY, MA, MD, ME, MG, MK, MN, MW, MX, MY, MZ, NA, NG, NI, NO, NZ, OM, PA, PE, PG, PH, PL, PT, QA, RO, RS, RU, RW, SC, SD, SE, SG, SK, SL, SM, ST, SV, SY, TH, TJ, TM, TN, TR, TT, TZ, UA, UG, US, UZ, VC, VN, ZA, ZM, ZW.

(84) Designated States (unless otherwise indicated, for every kind of regional protection available): ARIPO (BW, GH, GM, KE, LR, LS, MW, MZ, NA, RW, SD, SL, SZ, TZ, UG, ZM, ZW), Eurasian (AM, AZ, BY, KG, KZ, RU, TJ, TM), European (AL, AT, BE, BG, CH, CY, CZ, DE, DK, EE, ES, FI, FR, GB, GR, HR, HU, IE, IS, IT, LT, LU, LV, MC, MK, MT, NL, NO, PL, PT, RO, RS, SE, SI, SK, SM, TR), OAPI (BF, BJ, CF, CG, CI, CM, GA, GN, GQ, GW, ML, MR, NE, SN, TD, TG).

Published:

- with international search report (Art. 21(3))
- before the expiration of the time limit for amending the claims and to be republished in the event of receipt of amendments (Rule 48.2(h))

(88) Date of publication of the international search report:
31 October 2013

(54) Title: THERMAL SPRAY APPLICATIONS USING IRON BASED ALLOY POWDER

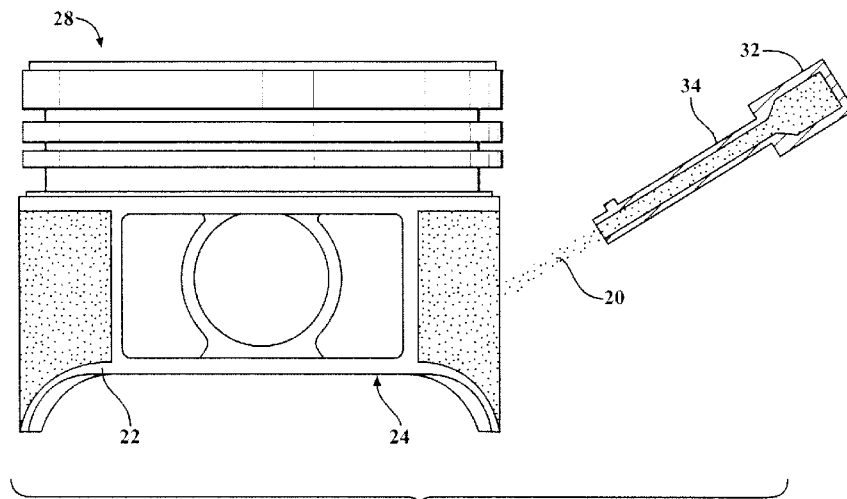


FIG. 1

(57) Abstract: A thermal spray powder 20 is provided for use in a thermal spray technique, such as flame spraying, plasma spraying, cold spraying, and high velocity oxygen fuel spraying (HVOF). The thermal spray powder 20 is formed by water or gas atomization and comprises 3.0 to 7.0 wt. % carbon, 10.0 to 25.0 wt. % chromium, 1.0 to 5.0 wt. % tungsten, 3.5 to 7.0 wt. % vanadium, 1.0 to 5.0 wt. % molybdenum, not greater than 0.5 wt. % oxygen, and at least 40.0 wt. % iron, based on the total weight of the thermal spray powder 20. The thermal spray powder 20 can be applied to a metal body, such as a piston or piston ring, to form a coating. The thermal spray powder 20 can also provide a spray-formed part.

WO 2013/134606 A3

INTERNATIONAL SEARCH REPORT

International application No
PCT/US2013/029792

A. CLASSIFICATION OF SUBJECT MATTER
INV. B22F3/115 B22F5/02 B22F9/08 C22C33/02
ADD.
According to International Patent Classification (IPC) or to both national classification and IPC

B. FIELDS SEARCHED
Minimum documentation searched (classification system followed by classification symbols)
B22F C22C

Documentation searched other than minimum documentation to the extent that such documents are included in the fields searched

Electronic data base consulted during the international search (name of data base and, where practicable, search terms used)
EPO-Internal, WPI Data

C. DOCUMENTS CONSIDERED TO BE RELEVANT

Category*	Citation of document, with indication, where appropriate, of the relevant passages	Relevant to claim No.
X	WO 2009/126674 A2 (FEDERAL MOGUL CORP [US]; ECOLE POLYTECH [CA]; CHRISTOPHERSON DENIS B J) 15 October 2009 (2009-10-15) paragraph [0017] - paragraph [0022]; claims 1-33; table 1 -----	1-12
X	US 7 998 238 B2 (TAKAYAMA TAKEMORI [JP] ET AL) 16 August 2011 (2011-08-16) claims 1-3; figures 1-25; examples 1-4; tables 1-6 -----	1-12

Further documents are listed in the continuation of Box C.

See patent family annex.

* Special categories of cited documents :

- "A" document defining the general state of the art which is not considered to be of particular relevance
- "E" earlier application or patent but published on or after the international filing date
- "L" document which may throw doubts on priority claim(s) or which is cited to establish the publication date of another citation or other special reason (as specified)
- "O" document referring to an oral disclosure, use, exhibition or other means
- "P" document published prior to the international filing date but later than the priority date claimed

- "T" later document published after the international filing date or priority date and not in conflict with the application but cited to understand the principle or theory underlying the invention
- "X" document of particular relevance; the claimed invention cannot be considered novel or cannot be considered to involve an inventive step when the document is taken alone
- "Y" document of particular relevance; the claimed invention cannot be considered to involve an inventive step when the document is combined with one or more other such documents, such combination being obvious to a person skilled in the art
- "&" document member of the same patent family

Date of the actual completion of the international search
5 June 2013

Date of mailing of the international search report
12/09/2013

Name and mailing address of the ISA/
European Patent Office, P.B. 5818 Patentlaan 2
NL - 2280 HV Rijswijk
Tel. (+31-70) 340-2040,
Fax: (+31-70) 340-3016

Authorized officer
Liu, Yonghe

INTERNATIONAL SEARCH REPORT

International application No.
PCT/US2013/029792

Box No. II Observations where certain claims were found unsearchable (Continuation of item 2 of first sheet)

This international search report has not been established in respect of certain claims under Article 17(2)(a) for the following reasons:

1. Claims Nos.:
because they relate to subject matter not required to be searched by this Authority, namely:

2. Claims Nos.:
because they relate to parts of the international application that do not comply with the prescribed requirements to such an extent that no meaningful international search can be carried out, specifically:

3. Claims Nos.:
because they are dependent claims and are not drafted in accordance with the second and third sentences of Rule 6.4(a).

Box No. III Observations where unity of invention is lacking (Continuation of item 3 of first sheet)

This International Searching Authority found multiple inventions in this international application, as follows:

see additional sheet

1. As all required additional search fees were timely paid by the applicant, this international search report covers all searchable claims.

2. As all searchable claims could be searched without effort justifying an additional fees, this Authority did not invite payment of additional fees.

3. As only some of the required additional search fees were timely paid by the applicant, this international search report covers only those claims for which fees were paid, specifically claims Nos.:

4. No required additional search fees were timely paid by the applicant. Consequently, this international search report is restricted to the invention first mentioned in the claims; it is covered by claims Nos.:

see annex

Remark on Protest

- The additional search fees were accompanied by the applicant's protest and, where applicable, the payment of a protest fee.
- The additional search fees were accompanied by the applicant's protest but the applicable protest fee was not paid within the time limit specified in the invitation.
- No protest accompanied the payment of additional search fees.

FURTHER INFORMATION CONTINUED FROM PCT/ISA/ 210

This International Searching Authority found multiple (groups of) inventions in this international application, as follows:

1. claims: 1-12

a powder metal material and its production method

2. claims: 13-26

a wear resistant component and its production method

INTERNATIONAL SEARCH REPORT

Information on patent family members

International application No PCT/US2013/029792

Patent document cited in search report	Publication date	Patent family member(s)	Publication date
WO 2009126674	A2	15-10-2009	CA 2721348 A1 15-10-2009
			CN 102057072 A 11-05-2011
			EP 2271783 A2 12-01-2011
			KR 20110025739 A 11-03-2011
			US 2009252636 A1 08-10-2009
			WO 2009126674 A2 15-10-2009

US 7998238	B2	16-08-2011	CN 1780927 A 31-05-2006
			CN 101701320 A 05-05-2010
			CN 101701321 A 05-05-2010
			CN 101701322 A 05-05-2010
			CN 101704105 A 12-05-2010
			CN 101704106 A 12-05-2010
			CN 101704107 A 12-05-2010
			DE 112004001371 T5 06-07-2006
			GB 2419892 A 10-05-2006
			JP 4999328 B2 15-08-2012
			JP 2012041639 A 01-03-2012
			KR 20060057530 A 26-05-2006
			US 2006159376 A1 20-07-2006
			WO 2005012585 A1 10-02-2005
