



US00D480157S

(12) **United States Design Patent** (10) **Patent No.:** **US D480,157 S**
Bentetifa et al. (45) **Date of Patent:** **** Sep. 30, 2003**

(54) **DECK SLAT**

5,033,147 A 7/1991 Svensson
5,351,915 A 10/1994 Aandalen
D358,671 S 5/1995 Hallsten
5,647,184 A 7/1997 Davis
5,819,491 A 10/1998 Davis
5,836,128 A 11/1998 Groh et al.
6,035,588 A 3/2000 Zehner et al.

(75) Inventors: **Chawki A. Bentetifa**, Carlstadt, NJ (US); **Charles Becht, IV**, Morristown, NJ (US); **Francisco Javier Camargo Salinas**, Cd. del Carmen (MX)

(73) Assignee: **Becht Engineering Company, Inc.**, Liberty Corner, NJ (US)

Primary Examiner—Doris Clark
(74) *Attorney, Agent, or Firm*—Cummings & Lockwood LLC

(**) Term: **14 Years**

(57) **CLAIM**

(21) Appl. No.: **29/161,610**

The ornamental design for deck slat, as shown and described.

(22) Filed: **May 30, 2002**

Related U.S. Application Data

DESCRIPTION

(62) Division of application No. 29/136,461, filed on Jan. 31, 2001, now Pat. No. Des. 459,491.

The FIGURE is a perspective view of a deck slat showing our new design.

(51) **LOC (7) Cl.** **25-01**

The broken lines shown in the drawings are for illustrative purposes only and form no part of the claimed design. Additional views have not been provided as the ornamental features are fully disclosed in perspective. The illustrated embodiments of the design are not limited to the exact details shown in the drawings, since equivalents and colorable imitations thereof will be evident to a person of ordinary skill in the art. Thus, within the scope of the appended claim, which is intended to cover only the ornamental and novel elements shown in the drawings, the invention may be practiced otherwise than as specifically shown and described herein.

(52) **U.S. Cl.** **D25/125**

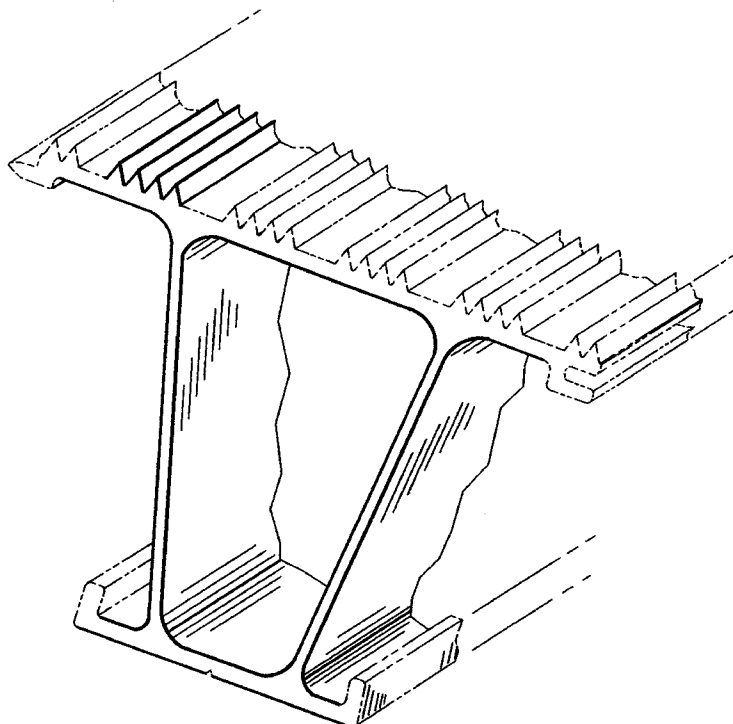
(58) **Field of Search** 52/98, 314, 573.1, 52/592.1, 650.3, 745.05, 775, 177; D25/138, 125; 403/41, 28; 114/266; 14/73; 405/4, 196, 218, 219

(56) **References Cited**

U.S. PATENT DOCUMENTS

2,742,121 A 4/1956 Liskey, Jr.
3,046,852 A 7/1962 Graham
3,172,508 A 3/1965 Doering et al.
4,789,116 A 12/1988 Eftestol

1 Claim, 1 Drawing Sheet



The Figure

