



(12) **United States Design Patent**  
**Shaw et al.**

(10) **Patent No.:** **US D823,457 S**  
(45) **Date of Patent:** **\*\* Jul. 17, 2018**

(54) **BLOOD COLLECTION TUBE HOLDER WITH OFFSET NEEDLE RETRACTION CHAMBER AND FRONTAL ATTACHMENT**

FOREIGN PATENT DOCUMENTS

CN	1155846	7/1995
EP	0479303	8/1992
EP	1161962	12/2001

(71) Applicants: **Retractable Technologies, Inc.**, Little Elm, TX (US); **Thomas J. Shaw**, Frisco, TX (US)

*Primary Examiner* — David Muller  
(74) *Attorney, Agent, or Firm* — Ross Barnes LLP; Monty L Ross

(72) Inventors: **Thomas J. Shaw**, Frisco, TX (US); **Mark Small**, Heavener, OK (US); **Ni Zhu**, Plano, TX (US)

(57) **CLAIM**

We claim the ornamental design for a blood collection tube holder with offset needle retraction chamber and frontal attachment, as shown and described.

(73) Assignee: **Retractable Technologies, Inc.**, Little Elm, TX (US)

**DESCRIPTION**

(\*\*) Term: **15 Years**

FIG. 1 is a front perspective view of a blood collection tube holder with offset needle retraction chamber and frontal attachment when the frontal attachment is disposed in a first position, with a forwardly projecting needle shown in phantom outline;

(21) Appl. No.: **29/570,119**

FIG. 2 is a front elevation view thereof;

(22) Filed: **Jul. 5, 2016**

FIG. 3 is a rear elevation view thereof;

**Related U.S. Application Data**

(63) Continuation-in-part of application No. 14/020,465, filed on Sep. 6, 2013, which is a continuation-in-part (Continued)

FIG. 4 is a top plan view thereof;

(51) **LOC (11) Cl.** ..... **24-02**

(52) **U.S. Cl.**  
USPC ..... **D24/112**

FIG. 5 is a bottom plan view thereof;

(58) **Field of Classification Search**  
USPC ..... D24/112–114, 108, 133, 130, 127, 186; 606/181, 185; 604/264, 272, 187, 181, 604/184, 227  
(Continued)

FIG. 6 is a right side elevation view thereof;

FIG. 7 is a left side elevation view thereof;

FIG. 8 is a front perspective view of the blood collection tube holder with offset needle retraction chamber and frontal attachment of FIG. 1 when the frontal attachment is disposed in a second position and the needle previously shown in phantom outline is not visible;

(56) **References Cited**

U.S. PATENT DOCUMENTS

4,466,446 A 8/1984 Baidwan et al.  
4,747,831 A 5/1988 Kulli  
(Continued)

FIG. 9 is a front elevation view of the blood collection tube holder with offset needle retraction chamber and frontal attachment of FIG. 1 when positioned as in FIG. 8;

FIG. 10 is a rear elevation view of the blood collection tube holder with offset needle retraction chamber and frontal attachment of FIG. 1 when positioned as in FIG. 8;

FIG. 11 is a top plan view of the blood collection tube holder with offset needle retraction chamber and frontal attachment of FIG. 1 when positioned as in FIG. 8;

FIG. 12 is a bottom plan view of the blood collection tube holder with offset needle retraction chamber and frontal attachment of FIG. 1 when positioned as in FIG. 8;

(Continued)

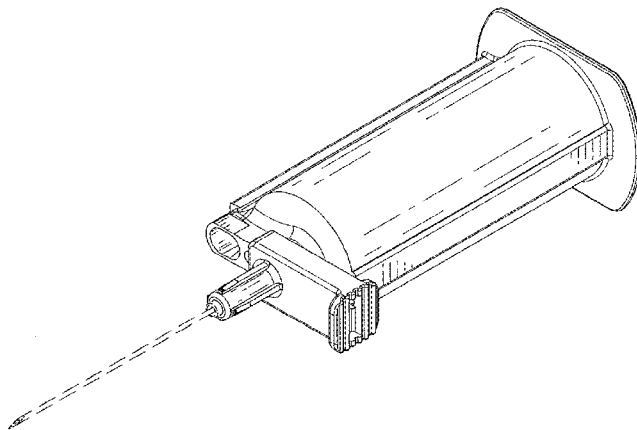


FIG. 13 is right side elevation view of the blood collection tube holder with offset needle retraction chamber and frontal attachment of FIG. 1 when positioned as in FIG. 8; and, FIG. 14 is left side elevation view of the blood collection tube holder with offset needle retraction chamber and frontal attachment of FIG. 1 when positioned as in FIG. 8. The broken line showing of parts of the drawings is included for the purpose of illustrating use and environment and forms no part of the claimed design.

**1 Claim, 8 Drawing Sheets**

**Related U.S. Application Data**

of application No. 13/714,819, filed on Dec. 14, 2012, now Pat. No. 9,138,545.

(58) **Field of Classification Search**

CPC ..... A61M 5/178; A61M 3/00; A61M 5/20; A61M 5/31; A61M 5/3146; A61M 5/3129; A61M 5/3148; A61M 5/315

See application file for complete search history.

(56) **References Cited**

U.S. PATENT DOCUMENTS

4,813,426 A 3/1989 Haber et al.  
 4,813,935 A 3/1989 Haber et al.  
 4,941,883 A 7/1990 Venturini  
 4,973,316 A 11/1990 Dysarz  
 5,163,916 A 11/1992 Sunderland  
 5,263,942 A 11/1993 Smedley et al.  
 5,298,023 A 3/1994 Haber et al.  
 5,370,628 A 12/1994 Allison  
 5,395,337 A 3/1995 Clemens et al.  
 5,423,758 A 6/1995 Shaw  
 5,445,618 A 8/1995 Adobbati  
 5,503,010 A 4/1996 Yamanaka  
 5,573,510 A 12/1996 Isaacson  
 5,685,863 A 11/1997 Botich et al.  
 5,704,920 A 1/1998 Gyure  
 5,728,073 A 3/1998 Whisson  
 5,779,679 A 7/1998 Shaw  
 5,795,339 A 8/1998 Erskine  
 5,830,152 A \* 11/1998 Tao ..... 600/562  
 5,957,887 A 9/1999 Osterlind et al.  
 5,964,731 A 10/1999 Kovelman  
 6,039,713 A 3/2000 Botich et al.  
 6,063,040 A 5/2000 Owen et al.  
 D439,975 S \* 4/2001 Wilkinson ..... D24/130

6,210,371 B1 4/2001 Shaw  
 6,277,102 B1 8/2001 Carilli  
 6,468,250 B2 10/2002 Yang  
 D484,976 S \* 1/2004 Wilkinson ..... D24/130  
 6,794,423 B1 9/2004 Li  
 6,808,512 B1 10/2004 Lin et al.  
 D506,549 S \* 6/2005 Woods ..... D24/130  
 7,351,224 B1 4/2008 Shaw  
 RE40,755 E \* 6/2009 McWethy ..... D24/130  
 D604,839 S \* 11/2009 Crawford ..... D24/130  
 D613,398 S \* 4/2010 Crawford ..... D24/130  
 D627,065 S \* 11/2010 Ade ..... D24/130  
 D651,308 S \* 12/2011 Crawford ..... D24/130  
 D660,420 S \* 5/2012 Shaw ..... D24/130  
 8,292,852 B2 10/2012 Mulholland  
 8,343,094 B2 1/2013 Shaw  
 D715,428 S \* 10/2014 Baid ..... D24/130  
 9,125,600 B2 \* 9/2015 Steube  
 D766,426 S \* 9/2016 Hamann ..... D24/114  
 2001/0021827 A1 9/2001 Ferguson et al.  
 2002/0068907 A1 6/2002 Dysarz  
 2002/0082560 A1 6/2002 Yang  
 2003/0078540 A1 4/2003 Saulenas et al.  
 2003/0171695 A1 9/2003 Zurcher  
 2003/0181871 A1 9/2003 Wilkinson et al.  
 2003/0236504 A1 12/2003 Chen  
 2004/0015135 A1 1/2004 Wilkinson  
 2004/0019329 A1 1/2004 Erskine  
 2004/0133172 A1 7/2004 Wilkinson  
 2004/0204688 A1 10/2004 Lin et al.  
 2005/0004524 A1 1/2005 Newby et al.  
 2005/0288607 A1 12/2005 Konrad  
 2006/0155244 A1 7/2006 Popov  
 2006/0189934 A1 8/2006 Kuracina et al.  
 2006/0235354 A1 10/2006 Kaal et al.  
 2007/0260189 A1 11/2007 Shaw et al.  
 2008/0132851 A1 6/2008 Shaw et al.  
 2008/0132854 A1 6/2008 Sharp  
 2008/0287881 A1 11/2008 Kiehne  
 2008/0319345 A1 12/2008 Swenson  
 2009/0198198 A1 8/2009 West et al.  
 2009/0306601 A1 12/2009 Shaw et al.  
 2010/0000040 A1 1/2010 Shaw et al.  
 2010/0003067 A1 1/2010 Shaw et al.  
 2010/0241029 A1 9/2010 Mahurkar  
 2010/0286604 A1 11/2010 Shaw  
 2010/0317999 A1 12/2010 Shaw et al.  
 2011/0264037 A1 10/2011 Foshee et al.  
 2012/0022464 A1 1/2012 Zivkovic et al.  
 2012/0071790 A1 3/2012 Mahurkar  
 2012/0071827 A1 3/2012 Zivkovic et al.  
 2012/0078225 A1 3/2012 Zivkovic et al.  
 2012/0226232 A1 9/2012 Shaw et al.  
 2012/0259243 A1 10/2012 Shaw et al.  
 2012/0316466 A1 12/2012 Crawford et al.

\* cited by examiner

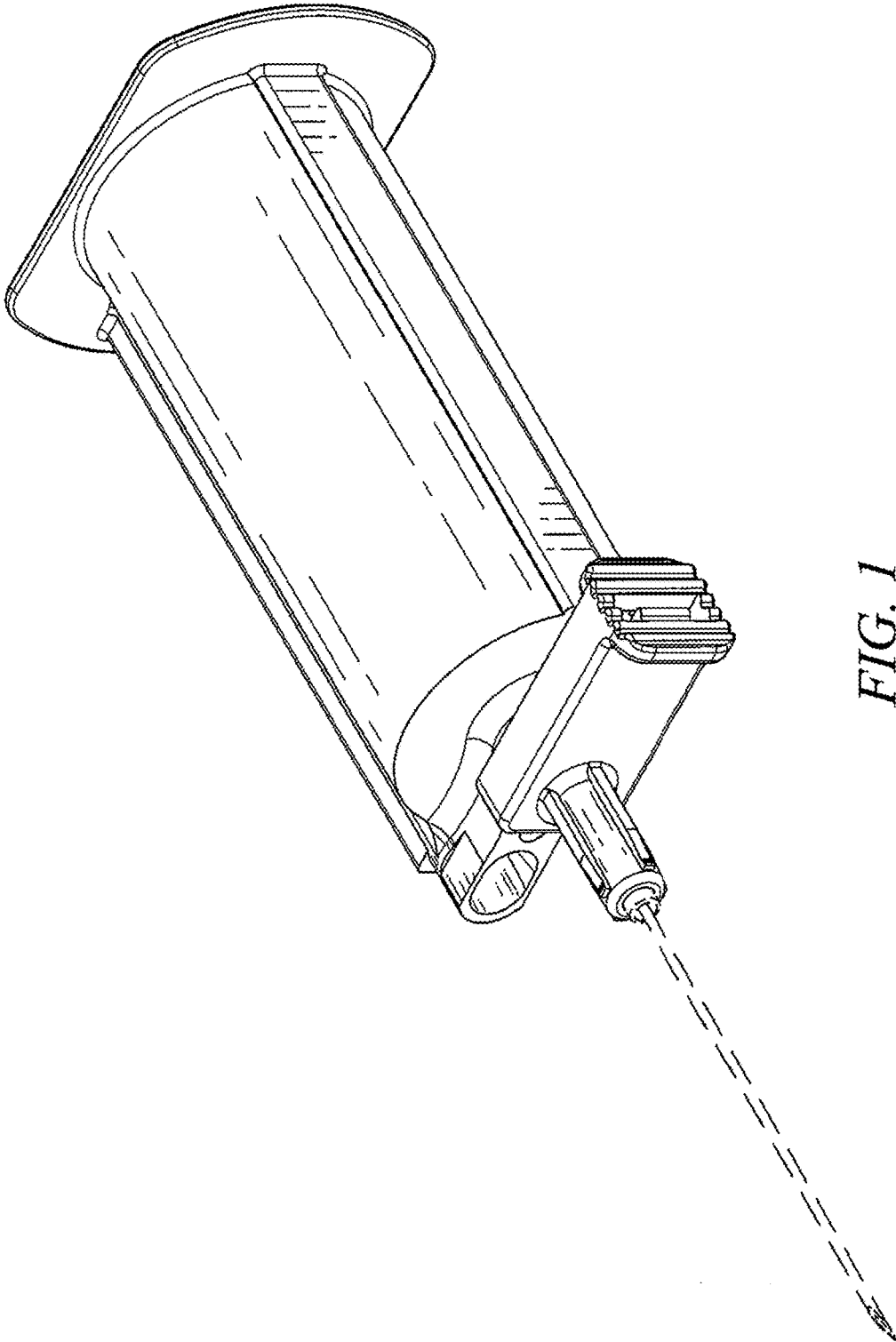


FIG. 1

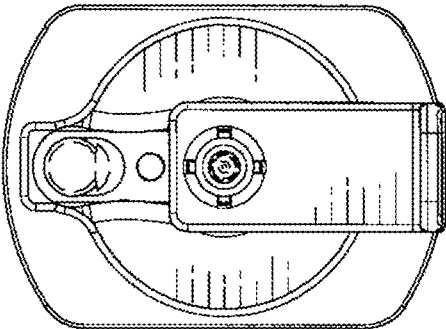


FIG. 2

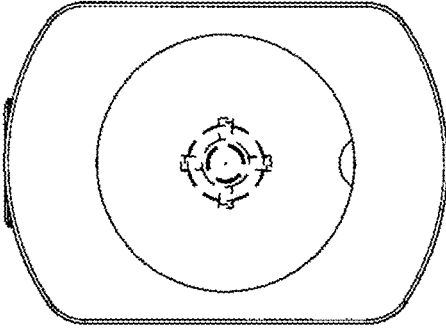


FIG. 3

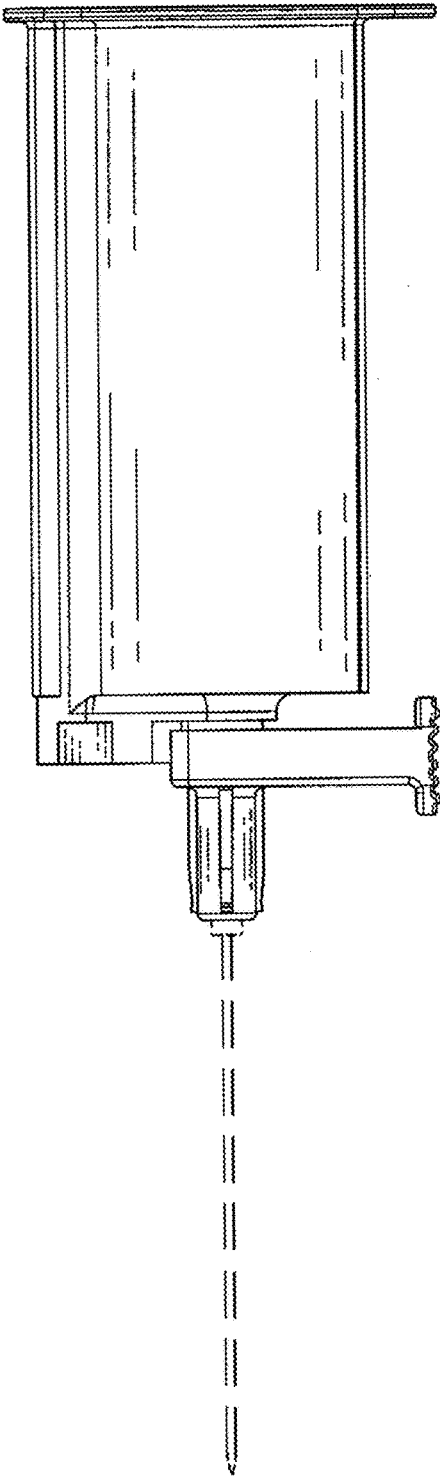


FIG. 4

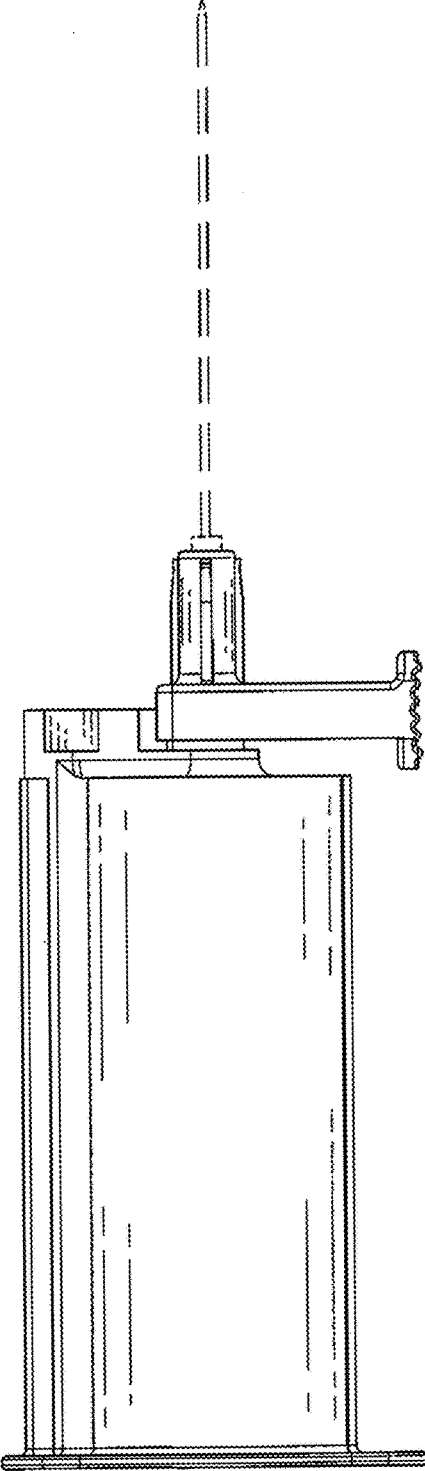


FIG. 5

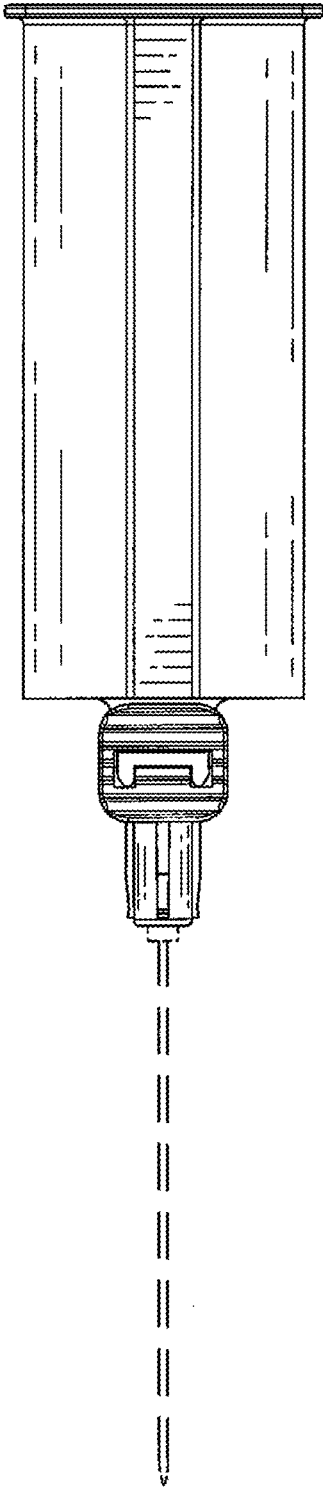


FIG. 6

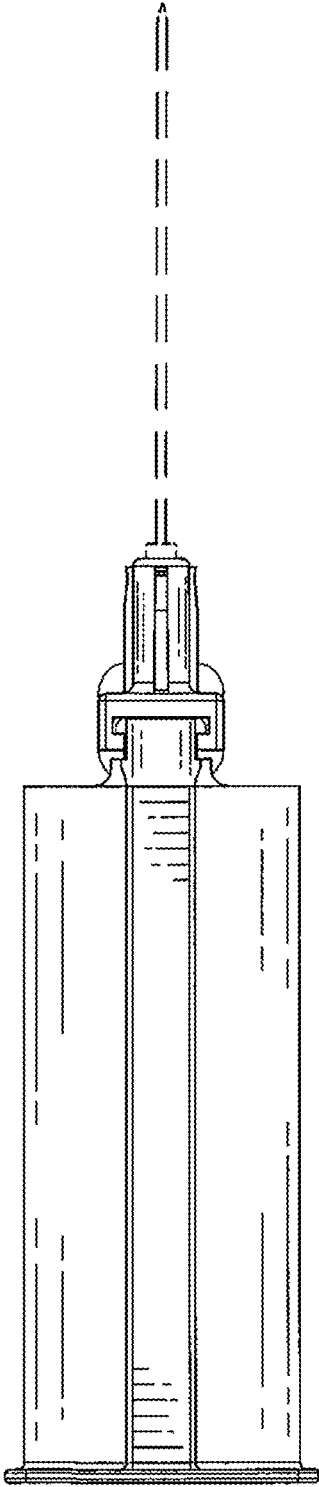


FIG. 7

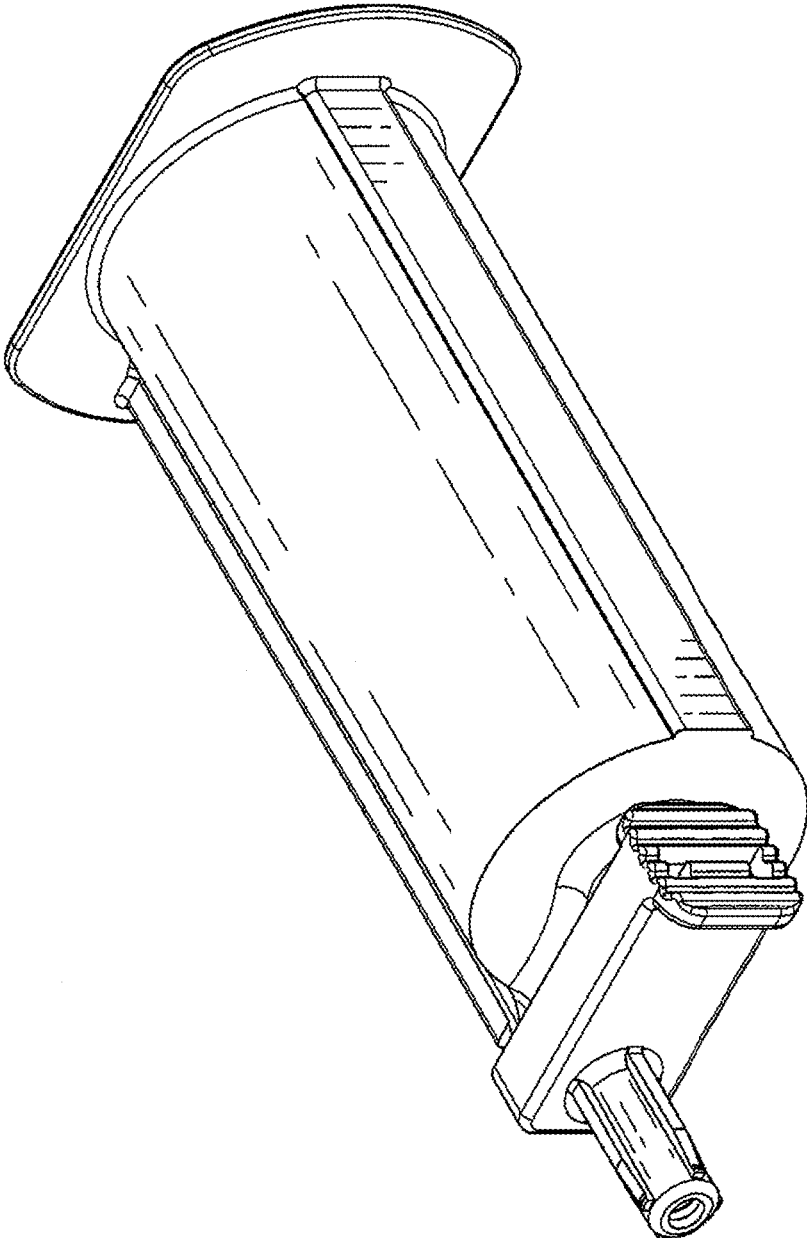
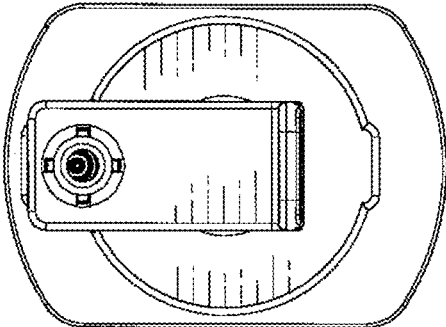
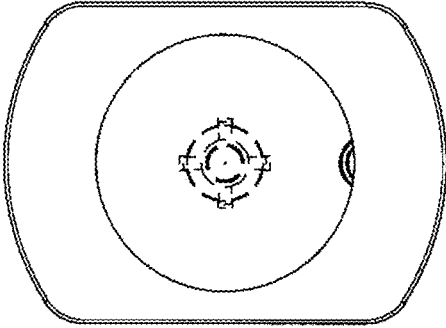


FIG. 8



*FIG. 9*



*FIG. 10*



FIG. 11



FIG. 12

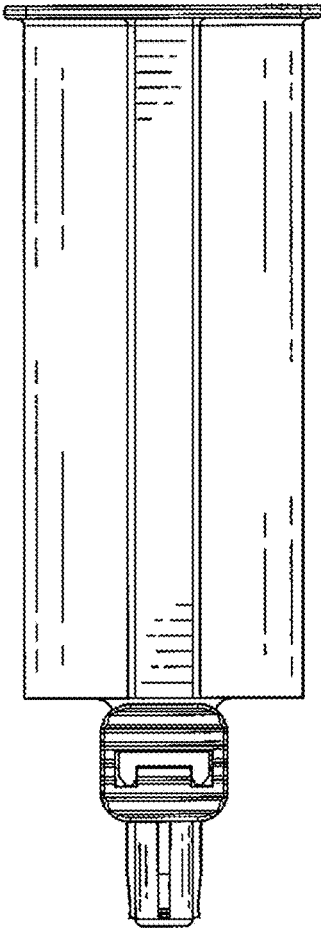


FIG. 13

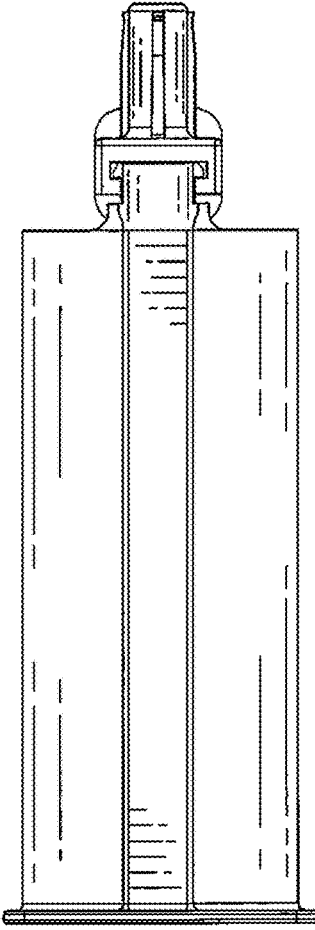


FIG. 14