

(19) World Intellectual Property Organization
International Bureau



(43) International Publication Date
5 October 2006 (05.10.2006)

PCT

(10) International Publication Number
WO 2006/104800 A3

- (51) International Patent Classification:
F02G 3/00 (2006.01) F02C 1/02 (2006.01)
- (21) International Application Number:
PCT/US2006/010380
- (22) International Filing Date: 21 March 2006 (21.03.2006)
- (25) Filing Language: English
- (26) Publication Language: English
- (30) Priority Data:
60/667,182 30 March 2005 (30.03.2005) US
- (71) Applicant (for all designated States except US): **FLUOR TECHNOLOGIES CORPORATION** [US/US]; 3 Polaris Way, Aliso Viejo, CA 92698 (US).
- (72) Inventor; and
- (75) Inventor/Applicant (for US only): **MAK, John** [US/US]; 2242 Salt Air Drive, Santa Ana, CA 92705 (US).
- (74) Agent: **FESSENMAIER, Martin**; Rutan & Tucker, LLP, 611 Anton Blvd., Suite 1400, Costa Mesa, California 92626 (US).
- (81) Designated States (unless otherwise indicated, for every kind of national protection available): AE, AG, AL, AM,

AT, AU, AZ, BA, BB, BG, BR, BW, BY, BZ, CA, CH, CN, CO, CR, CU, CZ, DE, DK, DM, DZ, EC, EE, EG, ES, FI, GB, GD, GE, GH, GM, HR, HU, ID, IL, IN, IS, JP, KE, KG, KM, KN, KP, KR, KZ, LC, LK, LR, LS, LT, LU, LV, LY, MA, MD, MG, MK, MN, MW, MX, MZ, NA, NG, NI, NO, NZ, OM, PG, PH, PL, PT, RO, RU, SC, SD, SE, SG, SK, SL, SM, SY, TJ, TM, TN, TR, TT, TZ, UA, UG, US, UZ, VC, VN, YU, ZA, ZM, ZW.

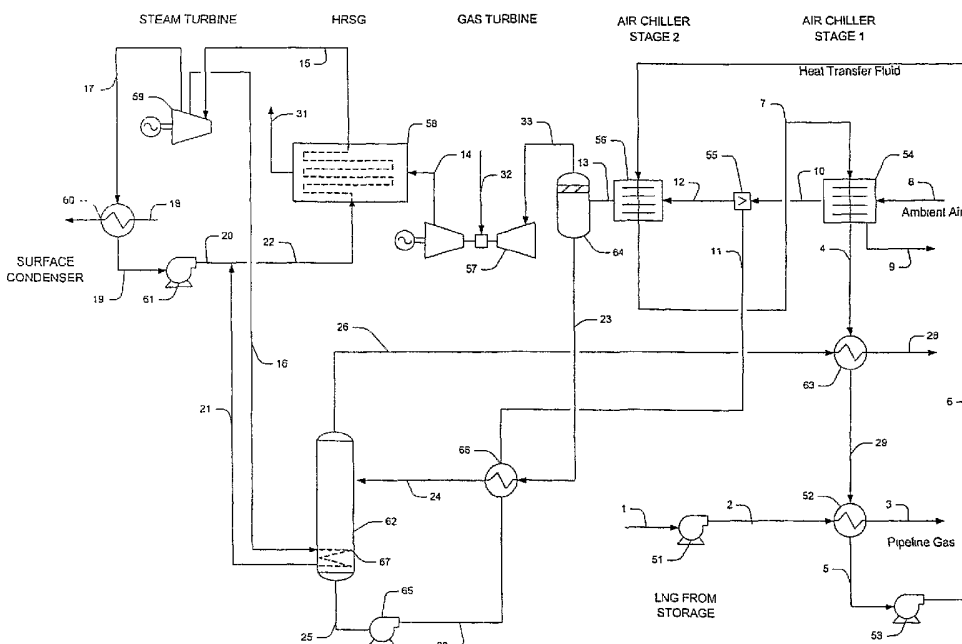
(84) Designated States (unless otherwise indicated, for every kind of regional protection available): ARIPO (BW, GH, GM, KE, LS, MW, MZ, NA, SD, SL, SZ, TZ, UG, ZM, ZW), Eurasian (AM, AZ, BY, KG, KZ, MD, RU, TJ, TM), European (AT, BE, BG, CH, CY, CZ, DE, DK, EE, ES, FI, FR, GB, GR, HU, IE, IS, IT, LT, LU, LV, MC, NL, PL, PT, RO, SI, SK, TR), OAPI (BF, BJ, CF, CG, CI, CM, GA, GN, GQ, GW, ML, MR, NE, SN, TD, TG).

Published:
— with international search report
— before the expiration of the time limit for amending the claims and to be republished in the event of receipt of amendments

(88) Date of publication of the international search report:
7 December 2006

[Continued on next page]

(54) Title: CONFIGURATIONS AND METHODS FOR THERMAL INTEGRATION OF LNG REGASIFICATION AND POWER PLANTS



(57) Abstract: Contemplated plants integrate regeneration of a freeze point depressant with LNG regasification and a power cycle. Most preferably, the plant is a combined cycle plant in which heat for reboiling the regenerator is provided by the steam cycle, and in which LNG refrigeration content is used to condense steam from the regenerator and to further subcool intake air for a combustion turbine.

WO 2006/104800 A3



For two-letter codes and other abbreviations, refer to the "Guidance Notes on Codes and Abbreviations" appearing at the beginning of each regular issue of the PCT Gazette.

INTERNATIONAL SEARCH REPORT

International application No.
PCT/US06/10380

A. CLASSIFICATION OF SUBJECT MATTER
 IPC: **F02G 3/00(2006.01);F02C 1/02(2006.01)**

 USPC: **60/772,39.182,728**
 According to International Patent Classification (IPC) or to both national classification and IPC

B. FIELDS SEARCHED

Minimum documentation searched (classification system followed by classification symbols)
 U.S. : 60/772, 39.182, 728, 39.093

Documentation searched other than minimum documentation to the extent that such documents are included in the fields searched

Electronic data base consulted during the international search (name of data base and, where practicable, search terms used)
 Please See Continuation Sheet

C. DOCUMENTS CONSIDERED TO BE RELEVANT

Category *	Citation of document, with indication, where appropriate, of the relevant passages	Relevant to claim No.
A	US 4,418,527 A (SCHLOM et al) 06 December 1983 (06.12.1983), see Abstarct and Fig. 1.	1 and 11
A	US 5,758,502 A (UTAMURA et al) 02 June 1998 (02.06.1998), see entire document.	1 and 11
A	US 5,782,093 A (YAMASHITA et al) 21 July 1998 (21.07.1998), see Fig. 1.	1 and 11

Further documents are listed in the continuation of Box C. See patent family annex.

* Special categories of cited documents:	"T"
"A" document defining the general state of the art which is not considered to be of particular relevance	later document published after the international filing date or priority date and not in conflict with the application but cited to understand the principle or theory underlying the invention
"E" earlier application or patent published on or after the international filing date	"X" document of particular relevance; the claimed invention cannot be considered novel or cannot be considered to involve an inventive step when the document is taken alone
"L" document which may throw doubts on priority claim(s) or which is cited to establish the publication date of another citation or other special reason (as specified)	"Y" document of particular relevance; the claimed invention cannot be considered to involve an inventive step when the document is combined with one or more other such documents, such combination being obvious to a person skilled in the art
"O" document referring to an oral disclosure, use, exhibition or other means	"&" document member of the same patent family
"P" document published prior to the international filing date but later than the priority date claimed	

Date of the actual completion of the international search
19 August 2006 (19.08.2006)

Date of mailing of the international search report
03 OCT 2006

Name and mailing address of the ISA/US
 Mail Stop PCT, Attn: ISA/US
 Commissioner for Patents
 P.O. Box 1450
 Alexandria, Virginia 22313-1450
 Facsimile No. (571) 273-3201

Authorized officer
 Charles G. Freay
 Telephone No. 571-272-3750

INTERNATIONAL SEARCH REPORT

International application No.
PCT/US06/10380

Continuation of B. FIELDS SEARCHED Item 3:

EAST

Search terms: gas turbine, power plant, freeze, ice, steam cycle, combined cycle, regenerator, chiller, LNG