



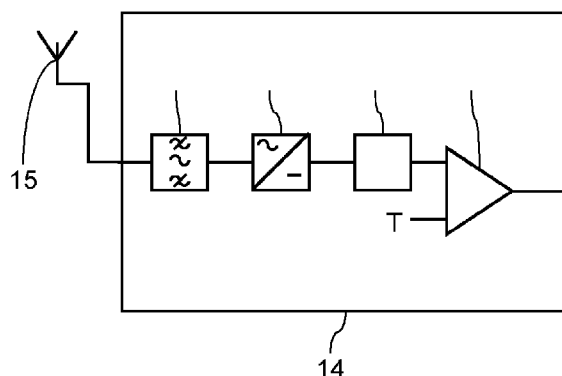
- (51) International Patent Classification:
G07F 7/10 (2006.01) G06K 7/08 (2006.01)
G06K 7/00 (2006.01)
- (21) International Application Number:
PCT/EP2011/072972
- (22) International Filing Date:
15 December 2011 (15.12.2011)
- (25) Filing Language: English
- (26) Publication Language: English
- (30) Priority Data:
10306486.1 22 December 2010 (22.12.2010) EP
- (71) Applicant (for all designated States except US):
GEMALTO SA [FR/FR]; 6, Rue de la Verrerie, F-92190 Meudon (FR).
- (72) Inventors; and
- (75) Inventors/Applicants (for US only): THILL, Michel [FR/FR]; c/o Gemalto SA, Intellectual Property Department -, 6, Rue de la Verrerie, F-92190 Meudon (FR). ANTOINE, Matthieu [FR/FR]; c/o Gemalto SA, Intellectual Property Department, 6, Rue de la Verrerie, F-92190 Meudon (FR).

- (81) Designated States (unless otherwise indicated, for every kind of national protection available): AE, AG, AL, AM, AO, AT, AU, AZ, BA, BB, BG, BH, BR, BW, BY, BZ, CA, CH, CL, CN, CO, CR, CU, CZ, DE, DK, DM, DO, DZ, EC, EE, EG, ES, FI, GB, GD, GE, GH, GM, GT, HN, HR, HU, ID, IL, IN, IS, JP, KE, KG, KM, KN, KP, KR, KZ, LA, LC, LK, LR, LS, LT, LU, LY, MA, MD, ME, MG, MK, MN, MW, MX, MY, MZ, NA, NG, NI, NO, NZ, OM, PE, PG, PH, PL, PT, QA, RO, RS, RU, RW, SC, SD, SE, SG, SK, SL, SM, ST, SV, SY, TH, TJ, TM, TN, TR, TT, TZ, UA, UG, US, UZ, VC, VN, ZA, ZM, ZW.
- (84) Designated States (unless otherwise indicated, for every kind of regional protection available): ARIPO (BW, GH, GM, KE, LR, LS, MW, MZ, NA, RW, SD, SL, SZ, TZ, UG, ZM, ZW), Eurasian (AM, AZ, BY, KG, KZ, MD, RU, TJ, TM), European (AL, AT, BE, BG, CH, CY, CZ, DE, DK, EE, ES, FI, FR, GB, GR, HR, HU, IE, IS, IT, LT, LU, LV, MC, MK, MT, NL, NO, PL, PT, RO, RS, SE, SI, SK, SM, TR), OAPI (BF, BJ, CF, CG, CI, CM, GA, GN, GQ, GW, ML, MR, NE, SN, TD, TG).

Published:
— with international search report (Art. 21(3))

(54) Title: SMARTCARD RECEIVING DEVICE FOR PROVIDING A REMOTE COMMUNICATION WITH SWITCHING MEANS

Fig. 2



(57) Abstract: The invention relates to a smartcard receiving device, comprising a contact interface (11) for communicating with the received smartcard (2); a remote communication interface (13) for communicating with a first remote device (3); a protocol bridge (12) designed to establish a transaction with the received smartcard (2) through the contact interface (11). The smartcard receiving device further comprises a communicating device detector (14, 15) adapted to detect a second remote device (5) communicating according to a remote communication protocol different from the communication protocol used by said remote communication interface (13). The protocol bridge (12) interrupts the transaction with the received smartcard (2) when the second remote device (5) communicating according to said different remote communication protocol is detected.

WO 2012/084698 A1

SMARTCARD RECEIVING DEVICE FOR PROVIDING A REMOTE COMMUNICATION WITH SWITCHING MEANS

The present invention generally relates to smartcards, and more particularly
5 relates to dual interface smartcards having only one of its communication interfaces simultaneously available.

Smart cards are plastic cards having an embedded smartcard chip. A smartcard chip is an integrated microcontroller generally comprising a central processing unit, a random access memory, a ROM memory and an EEPROM
10 memory. A dual interface smartcard is a smartcard provided with a contact and a contactless communication interfaces. The integrated microcontroller is connected to both communication interfaces to perform transactions. Such a smartcard can carry out a transaction through its contact interface when it is hosted in a smartcard reader. Such a smartcard can carry out a transaction through its
15 contactless interface when a contactless reader is located in near-field area. Smartcards are widely used to store sensitive information such as cryptographic keys or software routines that implement valuable algorithms or know-how.

Both the contact and contactless interfaces can be inappropriate for specific applications. For instance, an access to secured computer networks can request a
20 user authentication. An authentication through the contact interface of the smartcard requires connecting a smartcard reader to a terminal of the user. An authentication transaction through the smartcard contact interface can be carried out only when the smartcard is inserted inside the smartcard reader. Thus, the user has to leave the smartcard inside the smartcard reader as long as he wants
25 to keep his access granted to the secured network. However, this smartcard can be used to have the user authenticated by further devices as well. For instance, the smartcard can be used to open security doors to/from restricted areas through its contactless interface. If a user wants to cross a door to enter or leave a restricted area, he has to remove his smartcard from the smartcard reader to
30 authenticate and open the door.

Further developments have been made to allow the user to keep his smartcard in his pockets while he accesses the secured network, to allow such a user to move inside the room without disconnecting the smartcard from the user terminal and to avoid the necessity of connecting specific smartcard readers to the
35 user terminal. A badge holder has notably been designed to enhance the communication range of the smartcard. Such a badge holder receives the smartcard and can communicate with the smartcard through a contact interface. The badge holder further comprises a Bluetooth interface (Bluetooth is defined in the IEEE 802.15 standards). Bluetooth communication system has the main

advantage of being already widely integrated on most of the distributed computers and smart-phones. The contact interface and the Bluetooth interface of the badge holder are connected through a protocol translator or bridge. The protocol bridge establishes a communication between the smartcard using its contact interface
5 (for instance through an ISO 7816 protocol) and the Bluetooth interface (through an UART interface for instance).

However, the use of such a badge holder still has some drawbacks. Indeed, the user may be unable to unlock a door and leave the room if a communication between the smartcard (using its contact interface) and the user terminal is active.
10 Indeed, a dual interface smartcard is in most cases unable to perform a transaction on its contact interface concurrently with a transaction on its contactless interface. Thus, if a user leaves his desk and approaches a door he wishes to unlock, the badge holder hosted in his pocket will still be communicating with his terminal in vicinity. The transaction through the contact interface of the
15 smartcard has to be ended first. Thus, the smartcard is unable to carry out a transaction with the door through its contactless interface while a communication through its contact interface is active. The user has to deliberately end the transaction between his terminal and the smartcard.

Thus, there is a need for an electronic circuit or a smartcard solving one of
20 these drawbacks. The invention proposes a smartcard receiving device, comprising a contact interface, a remote communication interface, a protocol bridge and a communicating device detector. The contact interface is designed for communicating with the received smartcard. The remote communication interface designed for communicating with a first remote device. The protocol bridge is
25 designed to establish a transaction with the received smartcard through the contact interface and to translate the data received according to the protocol of one of said interfaces into the protocol of the other of said interfaces. The communicating device detector is adapted to detect a second remote device communicating according to a remote communication protocol different from the
30 communication protocol used by said remote communication interface. The protocol bridge interrupts the transaction with the received smartcard when the second remote device communicating according to said different remote communication protocol is detected.

According to an embodiment, the protocol bridge automatically interrupts
35 the transaction when said second remote device is detected.

According to a further embodiment, said contact interface complies with ISO 7816 standards requirements.

According to another embodiment, said remote communication interface is a wireless communication interface.

According to an embodiment, said remote communication interface complies with IEEE 802.15 standards requirements.

According to another embodiment, said detector is adapted to detect a second remote communication device communicating with a contactless communication protocol.

According to a further embodiment, said detector is adapted to detect a second remote communication device communicating with a communication protocol complying with ISO 14443 standards requirements.

According to an embodiment, the detector is adapted to:

- receive a signal having a modulation frequency corresponding to the modulation frequency of the different remote communication protocol;
- determine the amplitude of the received signal;
- compare the determined amplitude to a threshold;
- indicating a remote communication device detection to the protocol bridge when the determined amplitude is superior to said threshold.

According to another embodiment, said threshold is set as a proportion of the amplitude of the signal received on said remote communication interface.

According to a further embodiment the detector comprises:

- an antenna;
- a band-pass filter, its bandwidth including the different remote communication protocol modulation frequency;
- a rectifier receiving the filtered signal;
- a comparator receiving the rectified signal.

The invention also relates to a communication system, comprising:

- a smartcard including:
 - a contact interface;
 - a remote communication interface communicating through a first remote communication protocol; and
 - a controller allowing a communication only through one of these interfaces at a time;
- a smartcard receiving device, comprising:
 - a contact interface for communicating with said smartcard;
 - a remote communication interface for communicating with a first remote device through a second remote communication protocol different from the first remote communication protocol;
 - a protocol bridge designed to establish a transaction with said smartcard through the smartcard receiving device contact interface and to translate the data received according to the protocol of one of its interfaces into the protocol of the other of its interfaces;

- a communicating device detector adapted to detect a second remote device communicating according to the first remote communication protocol;
- said protocol bridge interrupting the transaction with the smartcard when the second remote device is detected.

The invention additionally relates to a method for interrupting a transaction performed through their respective contact interfaces by a smart card with a device hosting said smartcard, said hosting device bridging the smartcard communication with a first remote device through a remote communication interface using a first remote communication protocol, the method comprising:

- during said transaction, the hosting device detects a second remote device communicating according to a second remote communication protocol different from the first communication protocol;
- the hosting device interrupts said transaction when said second remote communication device is detected.

In an embodiment, said smart card establishes a transaction with the second remote device when the transaction with the hosting device through the contact interfaces is interrupted.

In another embodiment, said smart card is a dual interface smartcard having a controller allowing a communication only through one of the smartcard communication interfaces at a time.

The advantage of the present invention will become apparent from the following description of several embodiments with reference to the accompanying drawings, in which:

- Figure 1 is a schematic view of a system including a smartcard receiving device according to an embodiment of the invention;
- Figure 2 is a schematic view of a detector integrated in the smartcard receiving device of figure 1.

The invention proposes to interrupt a transaction between a receiving device and a smartcard, when the receiving device is in bridge mode, upon detecting a new remote communicating device adapted to communicate with the remote communication interface of the smartcard.

Thereby, the user does not have to interrupt the transaction by accessing the device previously in remote communication with the receiving device. The user simply has to approach the receiving device near enough from the new remote communicating device to end a potential communication between the receiving

device and the previously communicating device and to have a new remote transaction performed.

Figure 1 is a schematic view of a communication system including a smartcard 2, a smartcard receiving device 1, a user terminal 3 and a contactless communicating device 5.

The smartcard 2 includes a plastic card 24 embedding a smartcard chip 21. The smartcard chip 21 is an integrated microcontroller comprising a central processing unit, a random access memory, a ROM memory and an EEPROM memory (not illustrated). The smartcard 2 is adapted to store sensitive information such as cryptographic keys or software routines, in order to perform ciphering or authentication processes.

The smartcard 2 is a dual interface smartcard. The smartcard is provided with a contact interface 22 and with a remote communication interface 23. The contact interface 22 is for instance compliant with the ISO 7816 standard requirements. The remote communication interface 23 is for instance a contactless communication interface. This contactless communication interface may be for instance compliant with the ISO 14443 standard requirements. The integrated microcontroller is connected to both communication interfaces 22 and 23 to perform transactions. The integrated microcontroller can handle only one communication at a time, either through the contact interface 22 or through the contactless interface 23. The smartcard 2 is a multi purpose smartcard, providing several authentication possibilities. The smartcard 2 notably allows a user authentication to access a computer network 4 through the user terminal 3 and allows the user to unlock the security door 5.

The smartcard receiving device 1 is for instance an access badge. The smartcard receiving device 1 includes a remote communication interface 13, a contact interface 11 and a protocol bridge circuit 12. The remote communication interface 13 can be a wireless communication interface. The smartcard receiving device 1 further comprises an antenna 15 and a detector 14 for detecting a contactless communicating device adapted to communicate with the smartcard 2 through its contactless interface 23. The detector 14 is connected to the protocol bridge 12.

The communication range provided by the communication interface 23 and its associated communication protocol may be lower (for instance at least 10 times lower) than the communication range provided by the communication interface 13 and its associated communication protocol. A contactless interface practically identifies a remote communication interface having a communication range reaching several centimeters. A wireless interface practically identifies a remote

communication interface having a communication range reaching several meters to several tens of meters.

The protocol bridge 12 performs functions known from someone skilled in the art: the protocol bridge 12 is designed to establish a transaction with a received smartcard 2 and to allow this smartcard 2 to communicate with wireless devices through the wireless interface 13.

The use of the smartcard 2 for an access to the secured computer network 4 will now be disclosed. A user can access the secured computer network 4 through a user terminal 3. The user terminal 3 includes a wireless communication interface 31, for instance compliant with Bluetooth standards, such as recited in the IEEE 802.15 requirements. The wireless communication interface 31 may also comply with other standards, such as Wi-Fi standards. The user terminal 3 also includes a data storage device 32. Authentication tools are stored in the data storage device 32 and can be executed by the user terminal 3 to provide an access to the secured network 4. Authentication techniques to a secured network being known from someone skilled in the art, they will not be discussed further.

When the smartcard 2 is received in device 1, the contact interface 22 is connected to the contact interface 11. The protocol bridge 12 detects the presence of the smartcard 2 either through a contact sensor or through exchanges between the contact interfaces 11 and 22. The user may request access to the secured network 4 using the user terminal 3. At that stage, the receiving device 1, for instance hosted in a pocket of the user, is in the communication range of the wireless interface 31. This request is sent through the wireless interface 31 and received on the wireless interface 13. Further to the received request, the protocol bridge 12 establishes a transaction with smartcard 2 through its contact interface 11. The user terminal 3 and the smartcard 2 communicate through the protocol bridge 12. The protocol bridge 12 translates the data received from the smartcard 2 on the contact interface 11 into the protocol of its wireless interface 13. The protocol bridge 12 translates the data received from the user terminal 3 on the wireless interface 13 into the protocol of its contact interface 11. The protocol bridge 12 maintains the transaction with the smartcard 2 as long as the device 1 is in vicinity of the wireless interface 31. During this transaction, the smartcard 2 is unable to process another transaction. The access to the secured network 4 is maintained while the device 1 is still in vicinity of the wireless interface 31.

The device 1 is adapted to interrupt the transaction between the smartcard 2 and the device 1, in order to allow the smartcard 2 to perform a transaction with another remote communicating device, a contactless device. The antenna 15 is tuned to receive signals originating from a contactless device communicating

using a specific communication protocol, compliant to the ISO 14443 standard requirements in the present case. The detector 14 is designed to detect the presence of such a contactless device in vicinity of the device 1. In the case of the ISO 14443 standard, the detection range amounts several centimeters. The proximity of a contactless device is assessed as a request to carry out a new transaction using the contactless interface 23 of the smartcard 2. Thus, when such a contactless device is detected, the detector 14 sends a signal to the protocol bridge 12. When the protocol bridge 12 receives this signal, it interrupts the transaction between the smartcard 2 and the device 1. Once this transaction is interrupted, the smartcard 2 is able to establish a new transaction with the contactless device.

In the present case, the contactless device is a door 5. The door 5 is provided with a contactless communication interface 51, adapted to communicate with the contactless interface 23 of the smartcard 2. The contactless communication interface 51 is connected to a control circuit 52. The control circuit 52 controls an electronic lock 53. The control circuit 52 can thereby selectively open or lock the door 5. The door 5 can thereby prevent persons to leave/enter a restricted area before they are validly authenticated.

If the user gets close enough to the communication interface 51, the door 5 is detected by the detector 14 as a communicating device with which a transaction with the smartcard 2 is requested. This transaction can be performed to authenticate the user carrying his smartcard 2 once the transaction between the smartcard 2 and the device 1 is interrupted.

The detector 14 advantageously receives a signal having a modulation frequency corresponding to the modulation frequency of the communication protocol of the contactless interface 51. The amplitude of this signal is determined. The determined amplitude is compared to a detection threshold. If the amplitude of the signal is superior to this threshold, the detector 14 indicates to the protocol bridge 12 that a contactless device has been detected. This threshold can be set quite high, in order to avoid interrupting the transaction between the smartcard 2 and the device 1 if the user does not intend to cross the door 5 and be authenticated by this door. The transaction between the smartcard 2 and the device 1 can be automatically interrupted if the contactless interface 51 is detected by the detector 14.

Figure 2 is a schematic view of an embodiment of a detector circuit 14 that can be included in the device 1. The detector circuit 14 includes a band-pass filter 141 connected to the antenna 15. The band-pass filter 141 keeps a frequency band including the modulation frequency corresponding to the modulation frequency of the contactless interface 51. The band-pass filter 141 filters out the

frequency bands that do not correspond to that modulation frequency. The filtered signal is applied on the input of a rectifier 142. The rectified signal is advantageously applied on the input of a smoothing circuit 143. The smoothed voltage is applied on an input of a comparator 144. The smoothed voltage is
5 compared to a threshold T applied on another input of the comparator 144. If the smoothed signal is superior to the threshold T, a detection signal is generated and applied to the protocol bridge 12. The detection range of the antenna 15 is advantageously significantly lower than the communication range of the interface 13, in order to avoid unwanted transaction interruptions.

10 In order to take the level of the communication signal originating from the wireless interface 31 into account, the threshold T can be notably set as a function of the amplitude of this signal. For instance, the threshold T can be set proportional to the signal originating from the wireless interface 31.

15 The invention has been disclosed in relation with a badge reader as the receiving device 1. However, the invention also applies with other kinds of receiving devices, such as a mobile phone or a personal data assistant.

CLAIMS

1. Device for receiving a smartcard, characterized in that it comprises:
 - a contact interface (11) for communicating with the received smartcard (2);
 - 5 - a remote communication interface (13) for communicating with a first remote device (3);
 - a protocol bridge (12) designed to establish a transaction with the received smartcard (2) through the contact interface (11) and to translate the data received according to the protocol of one of said interfaces into the protocol
 - 10 of the other of said interfaces;
 - a communicating device detector (14, 15) adapted to detect a second remote device (5) communicating according to a remote communication protocol different from the communication protocol used by said remote communication interface (13);
 - 15 - said protocol bridge (12) interrupting the transaction with the received smartcard (2) when the second remote device (5) communicating according to said different remote communication protocol is detected.
2. Device according to claim 1, wherein the protocol bridge (12) automatically
- 20 interrupts the transaction when said second remote device (5) is detected.
3. Device according to claim 1, wherein said contact interface (11) complies with ISO 7816 standards requirements.
- 25 4. Device according to claim 1, wherein said remote communication interface (13) is a wireless communication interface.
5. Device according to claim 4, wherein said remote communication interface
- 30 (13) complies with IEEE 802.15 standards requirements.
6. Device according to claim 1, wherein said detector (14, 15) is adapted to detect a second remote communication device (5) communicating with a contactless communication protocol.
- 35 7. Device according to claim 6, wherein said detector (14, 15) is adapted to detect a second remote communication device (5) communicating with a communication protocol complying with ISO 14443 standards requirements.
- 40 8. Device according to claim 1, wherein the communication protocol used by the remote communication interface (13) has a communication range superior to the communication range of said different remote communication protocol.

9. Device according to claim 1, wherein the detector (14, 15) is adapted to :
- receive a signal having a modulation frequency corresponding to the modulation frequency of the different remote communication protocol;
 - determine the amplitude of the received signal;
- 5 -compare the determined amplitude to a threshold;
- indicating a remote communication device detection to the protocol bridge (12) when the determined amplitude is superior to said threshold.
10. Device according to claim 9, wherein said threshold is set as a proportion of
- 10 the amplitude of the signal received on said remote communication interface.
11. Device according to claim 1, wherein the detector (14, 15) comprises:
- an antenna (15);
 - a band-pass filter (141), its bandwidth including the different remote
- 15 communication protocol modulation frequency;
- a rectifier (142) receiving the filtered signal;
 - a comparator (144) receiving the rectified signal.
12. Communication system, characterized in that it comprises:
- 20 -a smartcard (2) including:
- a contact interface (22);
 - a remote communication interface (23) communicating through a first remote communication protocol; and
 - a controller (21) allowing a communication only through one of these
- 25 interfaces at a time;
- a smartcard receiving device (1), comprising:
- a contact interface (11) for communicating with said smartcard (2);
 - a remote communication interface (13) for communicating with a first remote device (3) through a second remote communication protocol
- 30 different from the first remote communication protocol;
- a protocol bridge (12) designed to establish a transaction with said smartcard (2) through the smartcard receiving device contact interface (11) and to translate the data received according to the protocol of one of its interfaces into the protocol of the other of its interfaces;
- 35 - a communicating device detector (14, 15) adapted to detect a second remote device (5) communicating according to the first remote communication protocol;
- said protocol bridge (12) interrupting the transaction with the smartcard (2) when the second remote device (5) is detected.
- 40
13. Method for interrupting a transaction performed through their respective contact interfaces by a smart card with a device hosting said smartcard, said

hosting device bridging the smartcard communication with a first remote device through a remote communication interface using a first remote communication protocol, the method comprising:

- 5 -during said transaction, the hosting device detects a second remote device communicating according to a second remote communication protocol different from the first communication protocol;
- the hosting device interrupts said transaction when said second remote communication device is detected.

10 14. Method according to claim 13, wherein said smart card establishes a transaction with the second remote device when the transaction with the hosting device through the contact interfaces is interrupted.

15 15. Method according to claim 13, wherein said smart card is a dual interface smartcard having a controller (21) allowing a communication only through one of the smartcard communication interfaces at a time.

Fig. 1

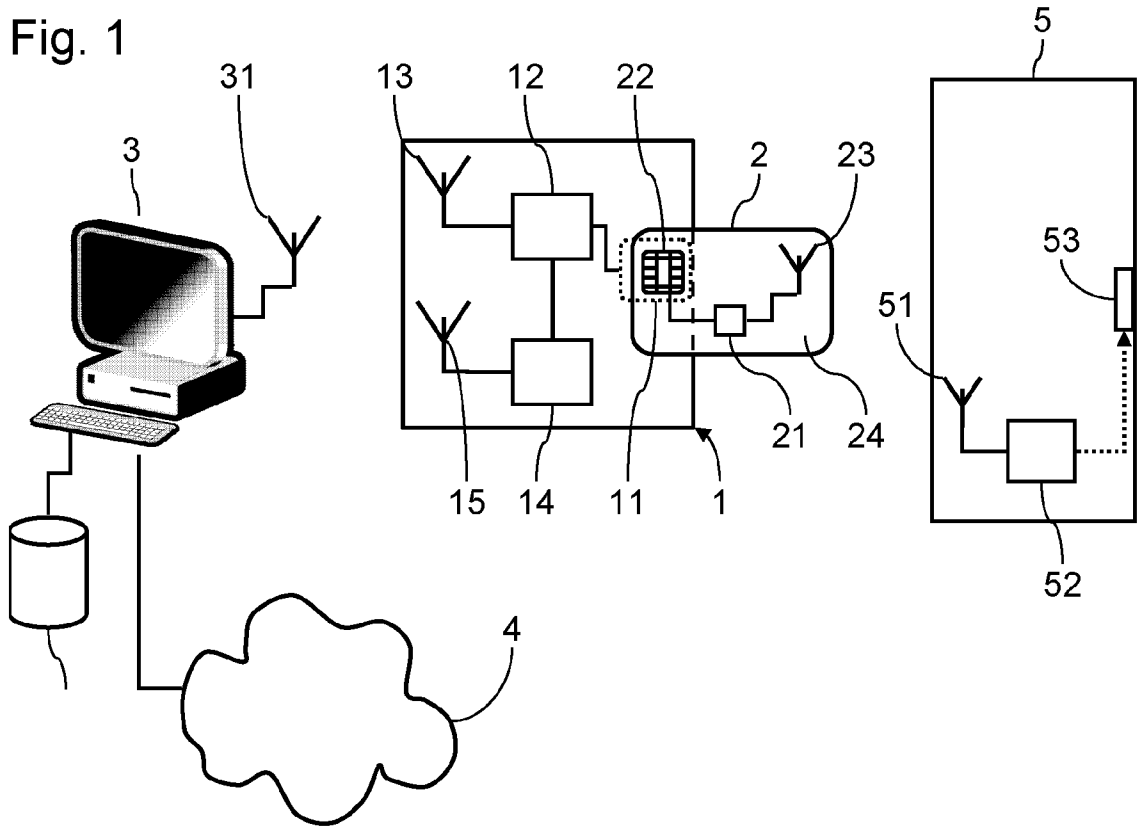
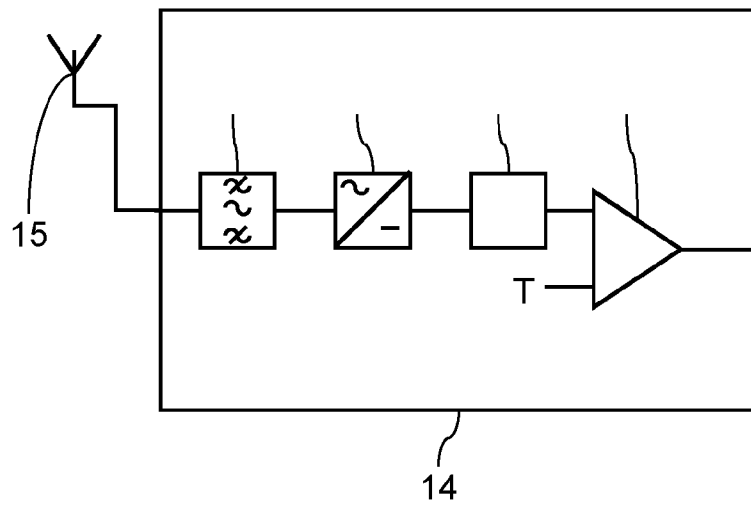


Fig. 2



INTERNATIONAL SEARCH REPORT

International application No PCT/EP2011/072972

A. CLASSIFICATION OF SUBJECT MATTER
 INV. G07F7/10 G06K7/00 G06K7/08
 ADD.
 According to International Patent Classification (IPC) or to both national classification and IPC

B. FIELDS SEARCHED
 Minimum documentation searched (classification system followed by classification symbols)
 G07F G06K
 Documentation searched other than minimum documentation to the extent that such documents are included in the fields searched

Electronic data base consulted during the international search (name of data base and, where practical, search terms used)
 EPO-Internal

C. DOCUMENTS CONSIDERED TO BE RELEVANT

Category*	Citation of document, with indication, where appropriate, of the relevant passages	Relevant to claim No.
X	US 2003/189096 A1 (MARKKANEN PANU S [FI] ET AL) 9 October 2003 (2003-10-09) abstract paragraph [0010] - paragraph [0025] figures 1-3	1-15
A	----- EP 2 172 877 A1 (OBERTHUR TECHNOLOGIES [FR]) 7 April 2010 (2010-04-07) paragraph [0039] - paragraph [0106] figures 3,4,7-9	1-15
A	----- US 2009/036166 A1 (YEN HONG-KAI [TW] ET AL) 5 February 2009 (2009-02-05) the whole document ----- -/--	1-15

Further documents are listed in the continuation of Box C. See patent family annex.

* Special categories of cited documents :

"A" document defining the general state of the art which is not considered to be of particular relevance	"T" later document published after the international filing date or priority date and not in conflict with the application but cited to understand the principle or theory underlying the invention
"E" earlier document but published on or after the international filing date	"X" document of particular relevance; the claimed invention cannot be considered novel or cannot be considered to involve an inventive step when the document is taken alone
"L" document which may throw doubts on priority claim(s) or which is cited to establish the publication date of another citation or other special reason (as specified)	"Y" document of particular relevance; the claimed invention cannot be considered to involve an inventive step when the document is combined with one or more other such documents, such combination being obvious to a person skilled in the art.
"O" document referring to an oral disclosure, use, exhibition or other means	"&" document member of the same patent family
"P" document published prior to the international filing date but later than the priority date claimed	

Date of the actual completion of the international search 17 January 2012	Date of mailing of the international search report 24/01/2012
--	--

Name and mailing address of the ISA/ European Patent Office, P.B. 5818 Patentlaan 2 NL - 2280 HV Rijswijk Tel. (+31-70) 340-2040, Fax: (+31-70) 340-3016	Authorized officer Spitaler, Thomas
--	--

INTERNATIONAL SEARCH REPORT

International application No
PCT/EP2011/072972

C(Continuation). DOCUMENTS CONSIDERED TO BE RELEVANT		
Category*	Citation of document, with indication, where appropriate, of the relevant passages	Relevant to claim No.
A	JP 2010 044739 A (RIZON KK) 25 February 2010 (2010-02-25) abstract paragraphs [0009], [0012], [0015] - [0020], [0030], [0031], [0051] figures 1-3 -----	1-15

INTERNATIONAL SEARCH REPORT

Information on patent family members

International application No PCT/EP2011/072972

Patent document cited in search report	Publication date	Patent family member(s)	Publication date
US 2003189096 A1	09-10-2003	AU 2003214513 A1 CN 1656505 A EP 1493125 A1 US 2003189096 A1 WO 03085594 A1	20-10-2003 17-08-2005 05-01-2005 09-10-2003 16-10-2003

EP 2172877 A1	07-04-2010	CN 101714221 A EP 2172877 A1 EP 2341469 A1 FR 2936886 A1 US 2010090805 A1	26-05-2010 07-04-2010 06-07-2011 09-04-2010 15-04-2010

US 2009036166 A1	05-02-2009	TW 200906151 A US 2009036166 A1	01-02-2009 05-02-2009

JP 2010044739 A	25-02-2010	NONE	
