

(19) World Intellectual Property Organization  
International Bureau



(43) International Publication Date  
7 August 2008 (07.08.2008)

PCT

(10) International Publication Number  
**WO 2008/094133 A3**

- (51) International Patent Classification:  
B23B 5/22 (2006.01)
- (21) International Application Number:  
PCT/US2006/014649
- (22) International Filing Date: 18 April 2006 (18.04.2006)
- (25) Filing Language: English
- (26) Publication Language: English
- (30) Priority Data:  
60/672,076 18 April 2005 (18.04.2005) US  
11/398,537 6 April 2006 (06.04.2006) US
- (71) Applicant (for all designated States except US): **BLACK & DECKER INC.** [US/US]; 1207 Drummond Plaza, Newark, Delaware 19711 (US).

(74) Agent: **LEARY, Michael P.**; THE BLACK & DECKER CORPORATION, 701 E. Joppa Road - TW 199, Towson, Maryland 21286 (US).

(81) Designated States (unless otherwise indicated, for every kind of national protection available): AE, AG, AL, AM, AT, AU, AZ, BA, BB, BG, BR, BW, BY, BZ, CA, CH, CN, CO, CR, CU, CZ, DE, DK, DM, DZ, EC, EE, EG, ES, FI, GB, GD, GE, GH, GM, HR, HU, ID, IL, IN, IS, JP, KE, KG, KM, KN, KP, KR, KZ, LC, LK, LR, LS, LT, LU, LV, LY, MA, MD, MG, MK, MN, MW, MX, MZ, NA, NG, NI, NO, NZ, OM, PG, PH, PL, PT, RO, RU, SC, SD, SE, SG, SK, SL, SM, SY, TJ, TM, TN, TR, TT, TZ, UA, UG, US, UZ, VC, VN, YU, ZA, ZM, ZW.

(84) Designated States (unless otherwise indicated, for every kind of regional protection available): ARIPO (BW, GH, GM, KE, LS, MW, MZ, NA, SD, SL, SZ, TZ, UG, ZM, ZW), Eurasian (AM, AZ, BY, KG, KZ, MD, RU, TJ, TM), European (AT, BE, BG, CH, CY, CZ, DE, DK, EE, ES, FI, FR, GB, GR, HU, IE, IS, IT, LT, LU, LV, MC, NL, PL, PT, RO, SE, SI, SK, TR), OAPI (BF, BJ, CF, CG, CI, CM, GA, GN, GQ, GW, ML, MR, NE, SN, TD, TG).

- (72) Inventors; and
- (75) Inventors/Applicants (for US only): **NICKELS, Richard, C., JR.** [US/US]; 4055 Farm Woods Lane, Hanpstead, Maryland 21074 (US). **BUCK, John E.** [US/US]; 10594 Blue Bell Way, Cockeysville, Maryland 21030 (US). **PUZIO, Daniel** [US/US]; 2713 Baurenwood Avenue, Baltimore, Maryland 21234 (US).

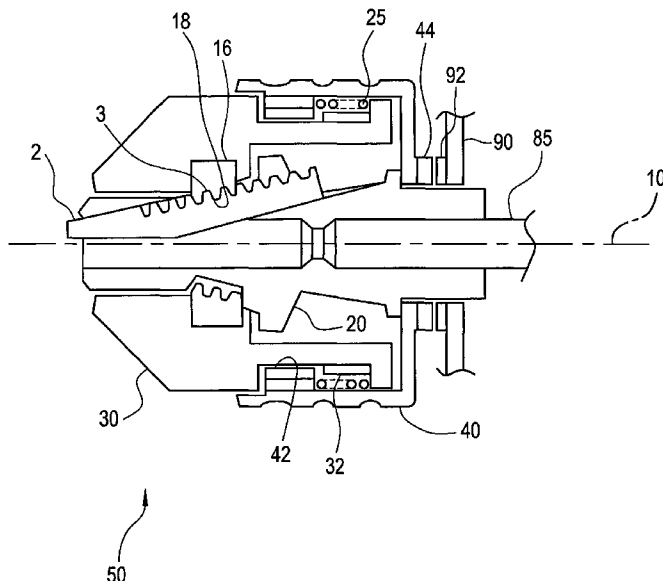
**Declarations under Rule 4.17:**

— as to applicant's entitlement to apply for and be granted a patent (Rule 4.17(ii))

[Continued on next page]

(54) Title: TOOL CHUCK WITH SLIDING SLEEVE AND CHUCK MECHANISM

FIG. 1



(57) Abstract: A tool chuck may include a chuck body defining a longitudinal axis. A sleeve may be mounted on the chuck body for movement between a first axial position in which the chuck body is rotatable together with the sleeve, and a second axial position in which the chuck body is rotatable relative to the sleeve to actuate to the tool chuck. The chuck body may be rotatable in a first direction to actuate the tool chuck up to a first torque threshold, and rotatable in a second direction to actuate the tool chuck up to a second, different torque threshold.

WO 2008/094133 A3



---

— *as to the applicant's entitlement to claim the priority of the earlier application (Rule 4.17(iii))*

**Published:**

— *with international search report*

**(88) Date of publication of the international search report:**

16 October 2008

**INTERNATIONAL SEARCH REPORT**

International application No.

PCT/US 06/14649

**A. CLASSIFICATION OF SUBJECT MATTER**

IPC(8) - B23B 5/22 (2008.04)

USPC - 279/60

According to International Patent Classification (IPC) or to both national classification and IPC

**B. FIELDS SEARCHED**

Minimum documentation searched (classification system followed by classification symbols)

IPC B23B 5/22 (2008.04)

USPC 279/60

Documentation searched other than minimum documentation to the extent that such documents are included in the fields searched  
USPC 279/60, 9.1; Backward/forward citation searches, Text Search

Electronic data base consulted during the international search (name of data base and, where practicable, search terms used)

WEST (PGPB, USPT, USOCR EPAB, JPAB); Terms: chuck and tool and keyless and (disengagement engagement disengag\$3 engag\$3) with torque; Google ("keyless tool chuck")

**C. DOCUMENTS CONSIDERED TO BE RELEVANT**

Category*	Citation of document, with indication, where appropriate, of the relevant passages	Relevant to claim No.
X -- Y	US 4,682,918 A (Palm) 28 Jul 1987 (28.07.1987) figs. 1-9 and col 2, ln 35- col 3, ln 55	1-5 and 8-20 ----- 6 and 7
Y	US 2003/0026670 A1 (Temple-Wilson) 06 Feb 2003 (06.02.2003) figs. 3-6 and para [0036-0040]	6 and 7
A	US 4,621,820 A (Rohm) 11 Nov 1986 (11.11.1986) figs. 1-4	1-20

Further documents are listed in the continuation of Box C.

* Special categories of cited documents:	"T" later document published after the international filing date or priority date and not in conflict with the application but cited to understand the principle or theory underlying the invention
"A" document defining the general state of the art which is not considered to be of particular relevance	"X" document of particular relevance; the claimed invention cannot be considered novel or cannot be considered to involve an inventive step when the document is taken alone
"E" earlier application or patent but published on or after the international filing date	"Y" document of particular relevance; the claimed invention cannot be considered to involve an inventive step when the document is combined with one or more other such documents, such combination being obvious to a person skilled in the art
"L" document which may throw doubts on priority claim(s) or which is cited to establish the publication date of another citation or other special reason (as specified)	"&" document member of the same patent family
"O" document referring to an oral disclosure, use, exhibition or other means	
"P" document published prior to the international filing date but later than the priority date claimed	

Date of the actual completion of the international search 10 Jul 2008 (10.07.2008)	Date of mailing of the international search report <b>18 JUL 2008</b>
Name and mailing address of the ISA/US Mail Stop PCT, Attn: ISA/US, Commissioner for Patents P.O. Box 1450, Alexandria, Virginia 22313-1450 Facsimile No. 571-273-3201	Authorized officer: <b>Lee W. Young</b>  PCT Helpdesk: 571-272-4300 PCT OSP: 571-272-7774