

[54] TABLE

[75] Inventor: Sohrab Vossoughi, Portland, Oreg.
[73] Assignee: Anthro Corporation, Portland, Oreg.
[**] Term: 14 Years
[21] Appl. No.: 116,116

[22] Filed: Oct. 28, 1987
[52] U.S. Cl. D6/484
[58] Field of Search D6/480, 481, 483-486,
D6/488, 489, 495, 511, 422, 428

[56] References Cited

U.S. PATENT DOCUMENTS

| | | | | |
|------------|---------|----------------|-------|----------|
| D. 281,297 | 11/1985 | Esslinger | | D6/484 |
| D. 284,532 | 7/1986 | Vogt | | D6/480 X |
| D. 289,954 | 3/1987 | Worrell et al. | | D6/511 |
| D. 292,154 | 10/1987 | Worrell et al. | | D6/480 X |
| D. 294,440 | 3/1988 | Werner | | D6/422 |
| D. 306,105 | 3/1990 | Newhouse | | D6/428 X |

OTHER PUBLICATIONS

Krueger GSA/Furniture, p. 5 of Data Board 920 Brochure, lower far right.
Domus, Oct. 1981, p. Q.

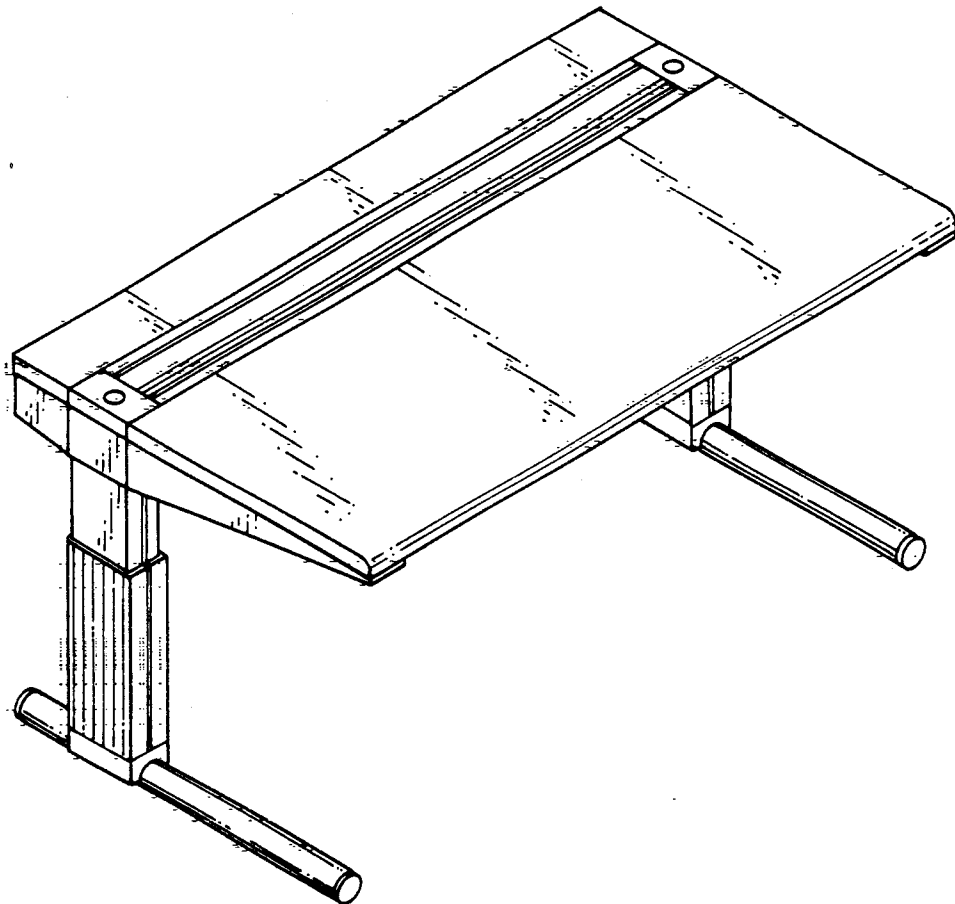
Primary Examiner—Bruce W. Dunkins
Assistant Examiner—Janice E. Seeger
Attorney, Agent, or Firm—Dellert, Smith-Hill and Bedell

[57] CLAIM

The ornamental design for a table, as shown and described.

DESCRIPTION

FIG. 1 is a front elevational view of a table, showing my new design;
FIG. 2 is a top plan view;
FIG. 3 is a bottom plan view;
FIG. 4 is a rear elevational view;
FIG. 5 is a side elevational view, the opposite side being a mirror image thereof; and
FIG. 6 is a top perspective view.



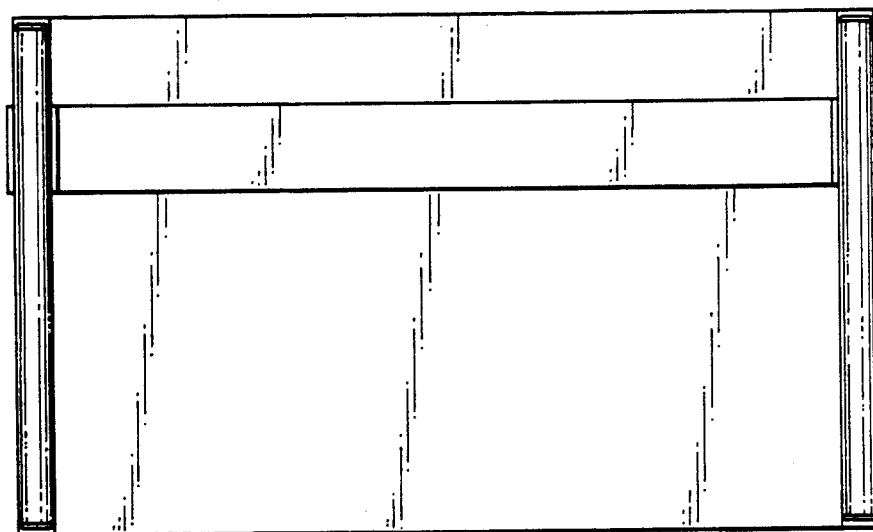
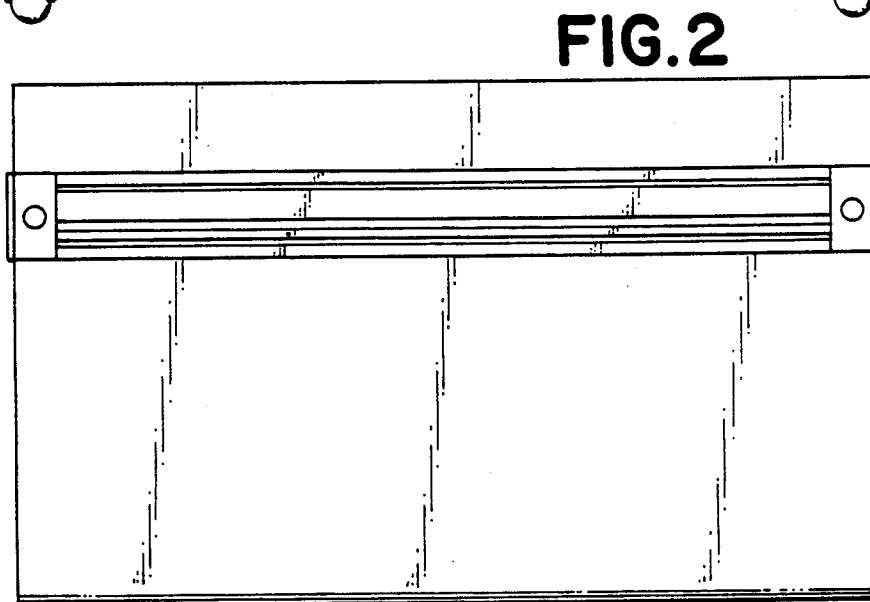
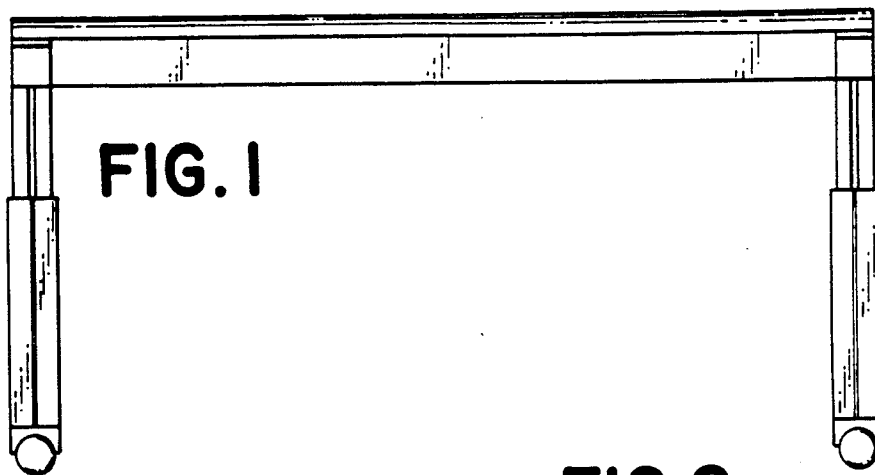


FIG. 3

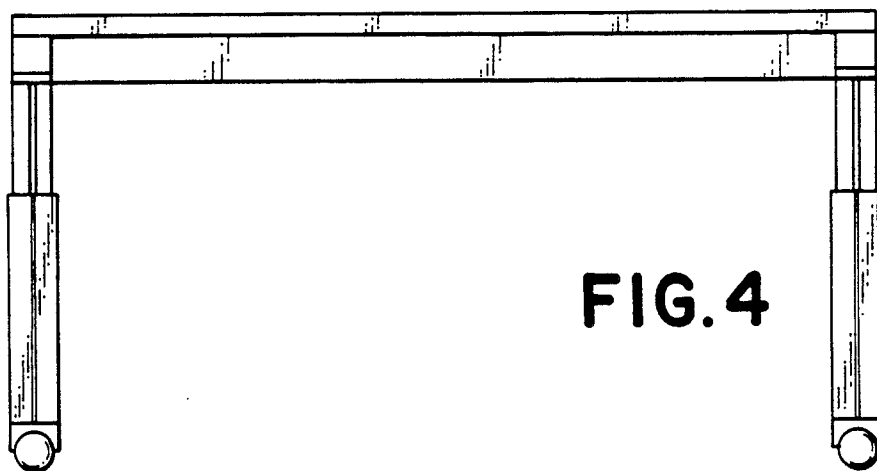


FIG. 4

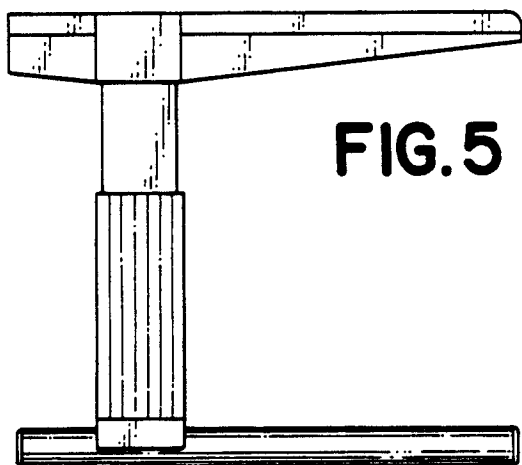


FIG. 5

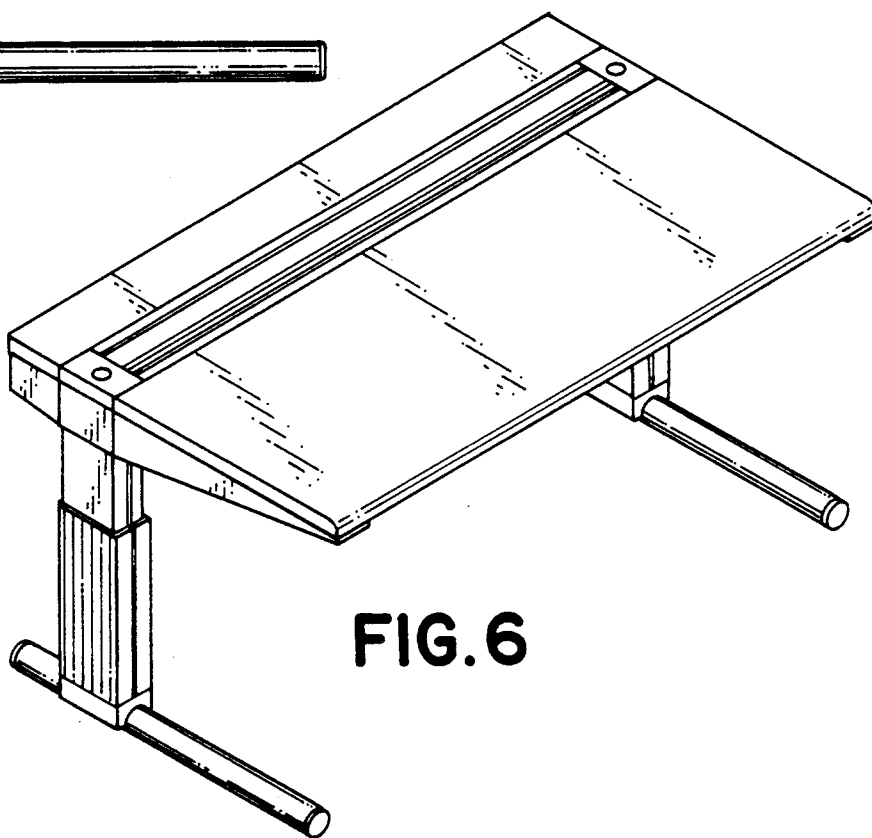


FIG. 6