



US00D717048S

(12) **United States Design Patent**
Meng

(10) **Patent No.:** **US D717,048 S**

(45) **Date of Patent:** **** Nov. 11, 2014**

(54) **TOOL BOX**

(71) Applicant: **Ji-Fen Meng**, Taichung (TW)

(72) Inventor: **Ji-Fen Meng**, Taichung (TW)

(**) Term: **14 Years**

(21) Appl. No.: **29/486,005**

(22) Filed: **Mar. 25, 2014**

(51) **LOC (10) CL.** **03-01**

(52) **U.S. Cl.**
USPC **D3/294; D3/905**

(58) **Field of Classification Search**

USPC D3/280–288, 291–297, 900–905, 272,
D3/273, 276, 302; D9/415, 276, 282, 424,
D9/426; 206/349, 372, 373, 377, 378, 379,
206/508, 374, 375, 376; 220/523–528,
220/23.4, 324, 326; 190/110, 111, 112
See application file for complete search history.

(56) **References Cited**

U.S. PATENT DOCUMENTS

D347,731 S * 6/1994 Hayakawa et al. D3/282
D362,546 S * 9/1995 Mundorf et al. D3/276

D365,206 S * 12/1995 Goodman D3/273
D403,176 S * 12/1998 Harper D6/440
5,950,834 A * 9/1999 Woodnorth et al. 206/541
D449,931 S * 11/2001 Snider D3/294
D524,541 S * 7/2006 Cauley D3/295
D536,491 S * 2/2007 Schumaier D32/1
2008/0011635 A1 * 1/2008 Cho 206/373

* cited by examiner

Primary Examiner — Jennifer Rivard

Assistant Examiner — April Rivas

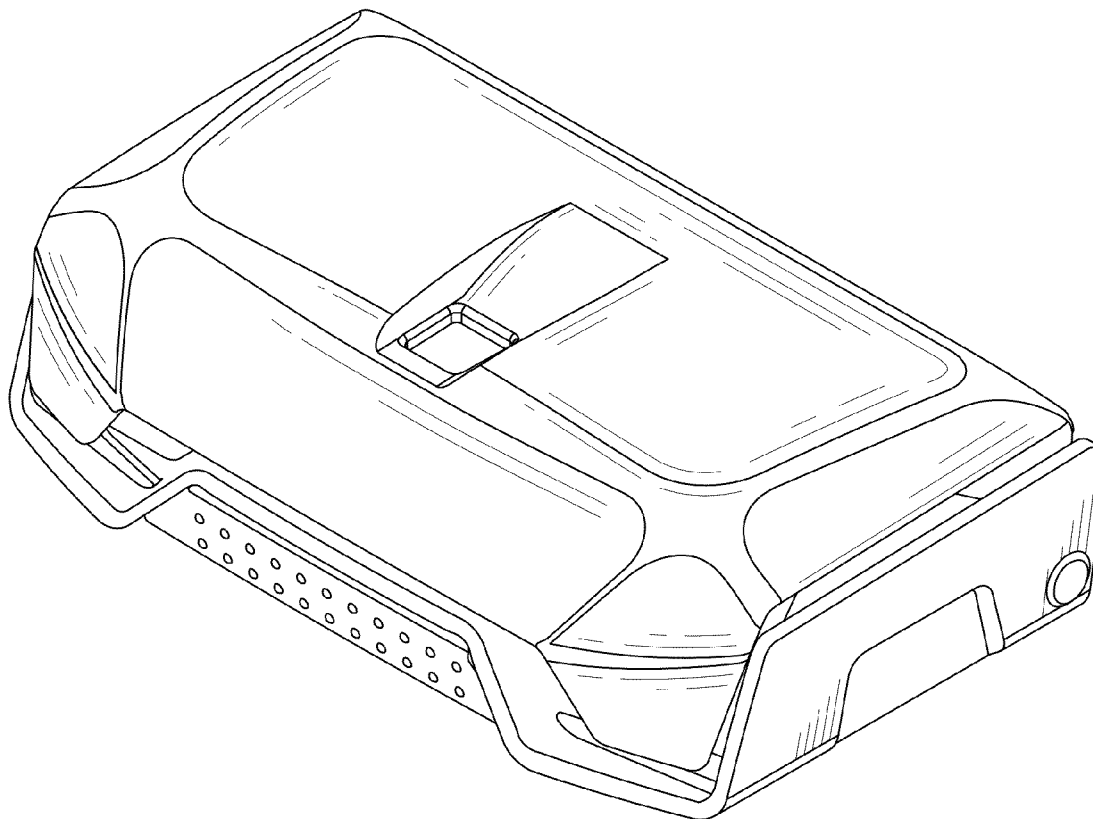
(57) **CLAIM**

The ornamental design for a tool box, as shown and described.

DESCRIPTION

FIG. 1 is a top side perspective view of a tool box illustrating my new design;
FIG. 2 is a front elevational view thereof;
FIG. 3 is a rear elevational view thereof;
FIG. 4 is a left side view thereof;
FIG. 5 is a right side view thereof;
FIG. 6 is a top plan view thereof;
FIG. 7 is a bottom plan view thereof; and,
FIG. 8 is a bottom side perspective view thereof.

1 Claim, 8 Drawing Sheets



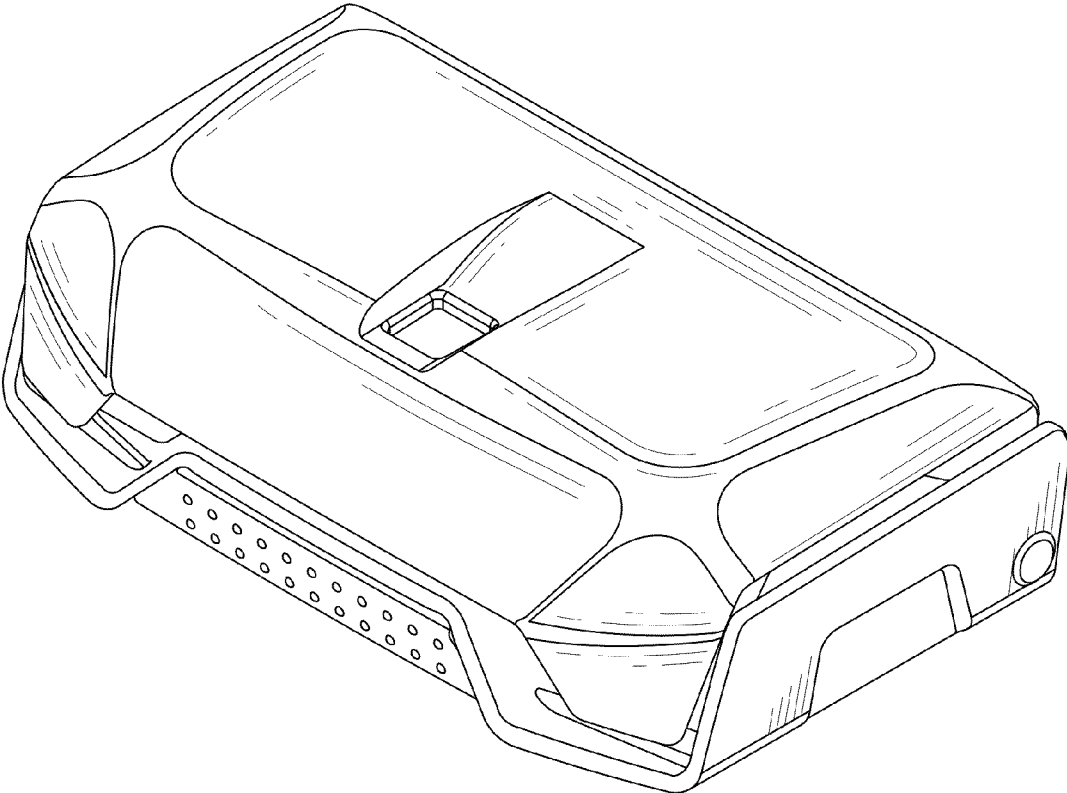


FIG.1

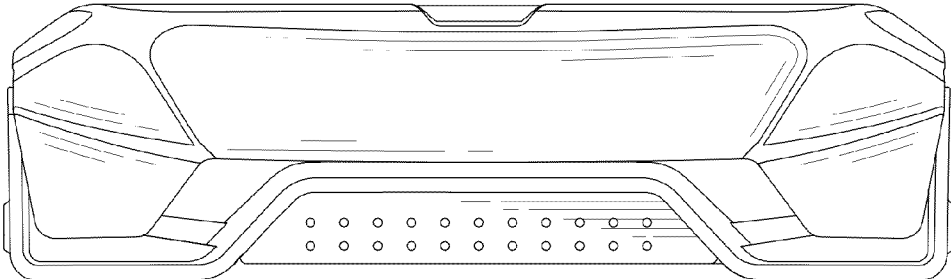


FIG.2

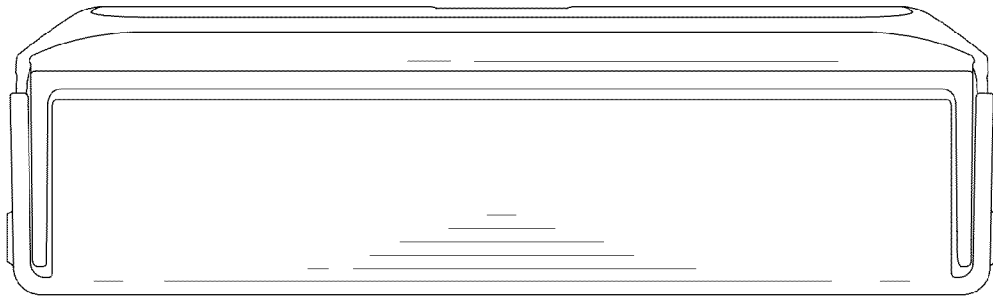


FIG.3

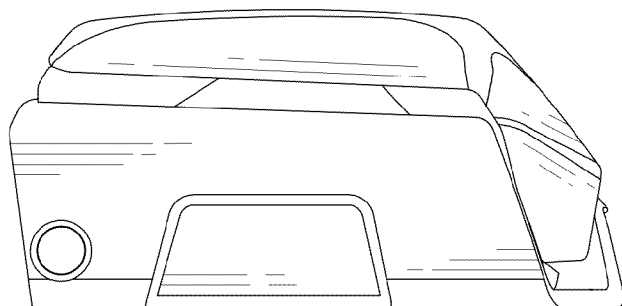


FIG.4

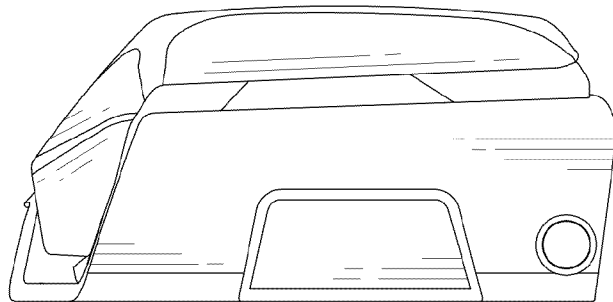


FIG.5

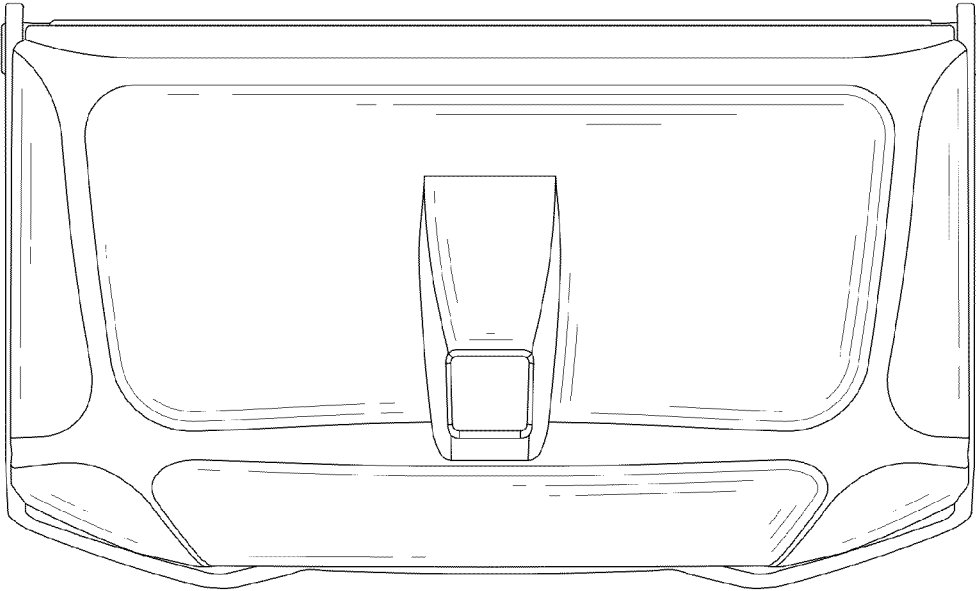


FIG.6

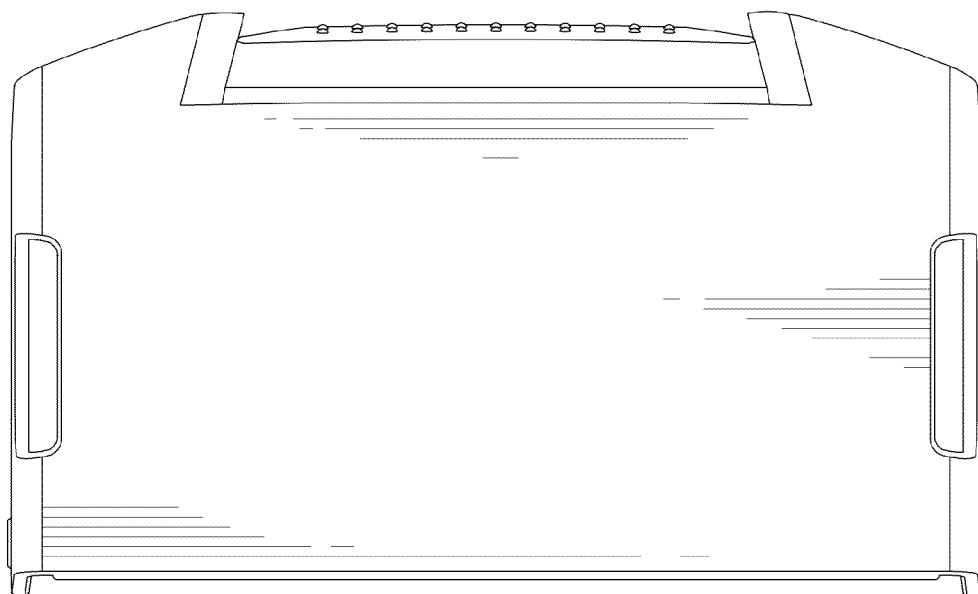


FIG.7

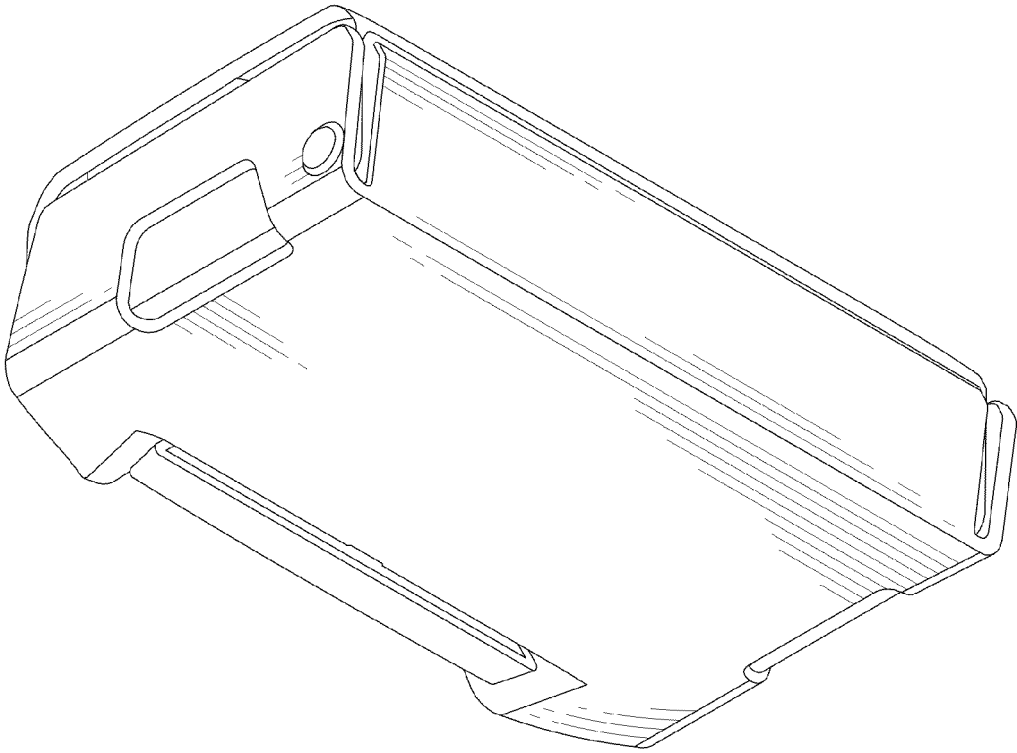


FIG.8