



- (51) **International Patent Classification:**
A41D 1/00 (2006.01)
- (21) **International Application Number:**
PCT/US2013/056064
- (22) **International Filing Date:**
21 August 2013 (21.08.2013)
- (25) **Filing Language:** English
- (26) **Publication Language:** English
- (30) **Priority Data:**
61/742,884 21 August 2012 (21.08.2012) US
- (72) **Inventor; and**
- (71) **Applicant : POND, Renee** [US/US]; 1615 Cobb Pkwy N,
Apt 1201, Marietta, GA 30062 (US).
- (74) **Agent: THORPE, Charlena;** 2180 Satellite Blvd.,
Suwanee, GA 30097 (US).
- (81) **Designated States** (*unless otherwise indicated, for every kind of national protection available*): AE, AG, AL, AM, AO, AT, AU, AZ, BA, BB, BG, BH, BN, BR, BW, BY, BZ, CA, CH, CL, CN, CO, CR, CU, CZ, DE, DK, DM, DO, DZ, EC, EE, EG, ES, FI, GB, GD, GE, GH, GM, GT, HN, HR, HU, ID, IL, IN, IS, JP, KE, KG, KN, KP, KR, KZ, LA, LC, LK, LR, LS, LT, LU, LY, MA, MD, ME, MG, MK, MN, MW, MX, MY, MZ, NA, NG, NI, NO, NZ,

OM, PA, PE, PG, PH, PL, PT, QA, RO, RS, RU, RW, SA, SC, SD, SE, SG, SK, SL, SM, ST, SV, SY, TH, TJ, TM, TN, TR, TT, TZ, UA, UG, US, UZ, VC, VN, ZA, ZM, ZW.

- (84) **Designated States** (*unless otherwise indicated, for every kind of regional protection available*): ARIPO (BW, GH, GM, KE, LR, LS, MW, MZ, NA, RW, SD, SL, SZ, TZ, UG, ZM, ZW), Eurasian (AM, AZ, BY, KG, KZ, RU, TJ, TM), European (AL, AT, BE, BG, CH, CY, CZ, DE, DK, EE, ES, FI, FR, GB, GR, HR, HU, IE, IS, IT, LT, LU, LV, MC, MK, MT, NL, NO, PL, PT, RO, RS, SE, SI, SK, SM, TR), OAPI (BF, BJ, CF, CG, CI, CM, GA, GN, GQ, GW, KM, ML, MR, NE, SN, TD, TG).

Declarations under Rule 4.17:

- *as to the identity of the inventor (Rule 4.17(i))*
- *as to applicant's entitlement to apply for and be granted a patent (Rule 4.17(ii))*
- *as to the applicant's entitlement to claim the priority of the earlier application (Rule 4.17(iii))*
- *of inventorship (Rule 4.17(iv))*

Published:

- *without international search report and to be republished upon receipt of that report (Rule 48.2(g))*



WO 2014/031794 A2

(54) **Title:** ELECTRONICALLY CUSTOMIZABLE ARTICLES

(57) **Abstract:** Some implementations of this disclosure provide an electronically customizable article comprising a fashion accessory selected from the group consisting of a handbag, a shoe, glasses, a tie, and a bowtie wherein the fashion accessory comprises an electronic visual display, a processor, a communication interface for communication between the fashion accessory and a network, and a non-transitory computer readable medium containing instructions that, when executed by the processor, causes the fashion accessory to connect to a server over the network, receive data from the server, and display one or more images associated with the data on the electronic visual display.

ELECTRONICALLY CUSTOMIZABLE ARTICLES

CROSS REFERENCE TO RELATED APPLICATION

[0001] This application claims the benefit of U.S. Patent Application Ser. No. 61/742,884, which was filed on August 21, 2012, and is incorporated herein by reference in its entirety.

TECHNICAL FIELD

[0002] This disclosure relates to electronically customizable articles.

BACKGROUND

[0003] Most current article options limit consumers to one design or one color and do not provide the option of personalizing the article. Thus, users are forced to collect different articles to meet each wardrobe, home décor, and social event requirement. This can be expensive. Existing options currently on the market that allow for some color, design, and/or style versatility of an article are interchangeable shells, reversible items, and a small selection of interchangeable fabrics. These existing options provide limited color and design versatility for consumers.

BRIEF DESCRIPTION OF THE DRAWINGS

[0004] FIG. 1 illustrates an example environment of the present disclosure for setting or changing the outer appearance of an electronically customizable article.

[0005] FIGs. 2A-2B illustrate example electronically customizable articles.

[0006] FIG. 3 illustrates an example computer system which may be used with some embodiments of the present invention.

[0007] FIG. 4 shows a schematic representation of the main components of an example computing platform.

DETAILED DESCRIPTION

[0008] Systems and methods of this disclosure allow a user to set or change the outer appearance of an electronically customizable article (e.g., a handbag).

Implementations of the electronically customizable articles can include an electronic visual display such as a flat panel display to display a user-selected or created color, design, pattern, image, slideshow, video, or other electronic visual display on the exterior of the article.

[0009] In some implementations, the electronic visual display can form an outer surface of the article. In some implementation, the electronic visual display is integral with the article. In some implementations, the electronic visual display can be removable from the article.

[0010] In some implementations, the electronic visual display can be a flexible digital display canvas. In some implementations, the electronic visual display can be a touch screen. In some implementations, the electronic visual display can be a liquid crystal display (LCD), light emitting diode (LED), organic light-emitting diode (OLED), interferometric modulator display (IMOD), or plasma, electronic display screen, or any other present or future developed electronic display screen technology.

[0011] In some implementations, the electronically customizable article can serve as a computing device such as a laptop, a smartphone, a mobile telephone, a tablet-style computer, or any other handheld electronic device. In some implementations, the electronically customizable article includes an operating system (OS) and can be configured to run one or more application software. In some implementations, the electronically customizable article can include Wi-Fi, Bluetooth, and GPS capabilities to, among other things, allow the electronically customizable article to connect to the Internet and other Bluetooth-capable devices.

[0012] Implementations of this disclosure can include hardware and software to create a user interface for a user to select or create a visual display to be displayed on the electronically customizable article. The hardware and software for the user interface can be included in the electronically customizable article, a separate computing device, or on a remote server in combination with either the electronically customizable article or a separate computing device. The hardware and software for the graphical user interface are configured to permit the user to select, create, or edit

images, designs, colors, patterns, and video or media content. In some implementations, the software for the user interface can be downloaded to the electronically customizable article.

[0013] In some implementations, the hardware and software for the graphical user interface are configured to permit the user to manipulate images through, for example, color, color depth, brightening and contrast adjustments, special effects, multiple image merging, softening options, sharpening abilities, image enhancing, image rotating, selective color changing, options of adding and removing elements, cropping, size and orientation adjustments (e.g. landscape or portrait format) and image layering.

[0014] In some implementations, the hardware and software for the graphical user interface are configured to permit the user to animate portions of a still image (e.g., object in continuous motion with still background).

[0015] In some implementations, the hardware and software for the graphical user interface are configured to permit the user to add lighting-show to still image (e.g., pulsating or flashing light emitted from portions of the image) with transfer and display lighting effect images to article.

[0016] In implementations where the hardware and software for the user interface or a portion thereof is embodied in a separate computing device or remote server, the user-selected or created display may be transferred to the electronically customizable article via a wire-based or wireless network. In some implementations, the wireless network can include a WI-FI network, a wireless cellular network, a Wi-Max network, a long-range wireless data network, an ad hoc network, a personal area network (PAN) (such as BLUETOOTH), a local area network (LAN), a wide area network (WAN), a metropolitan area network (MAN), one or more portions of the Internet, or a combination of two or more of these networks. In some implementations, the user-selected or created display can be transferred to the electronically customizable article via cable or connectors (e.g., USB cables) or a storage medium such as a flash drive, memory card, or other data storage device.

[0017] FIGs. 2A-2B illustrate example electronically customizable articles 200A,B respectively. The electronically customizable articles 200A, B can include an electronic visual display 210A, B such as a flat panel display to display a user-selected or created electronic visual display. The electronic visual display on the electronically customizable article may be user-created, downloaded from a remote server, transferred from a local computing device or portable storage media, ordered, or a pre-existing image stored locally (e.g., in the electronically customizable articles) or remotely, for example.

[0018] In alternative implementations, the electronically customizable article 200A, B can be shoes, all types of purses, bags, hats, belts, bracelets, necklaces, earrings, rings, scarves, sunglass and eyeglass frames, gloves, clothing apparel, backpacks, book covers, portfolio cases, ties, bow ties, cufflinks, wallets, laptop lids, name tags, suitcases, briefcases, laptop bags, head phones, head bands and other hair accessories, pet collars, pet leashes, and other pet accessories, undergarments, watches, furniture, luggage, lamps, picture frames, lunch boxes, socks, beverage sleeves, dishware plates, bowls and silverware, key chains, skateboards, roller skates, bikes, all occasion decorations and centerpieces, all writing utensils, all clothing and outerwear and phone and other small electronic cases.

[0019] In some implementations, the electronic visual display can form an outer surface of the article. In some implementations, all, substantially all, or a portion of the exterior view of the electronically customizable article may comprise an electronic visual display to customize all, substantially all, or a portion of the electronically customizable article, respectively.

[0020] In some implementations, the electronic visual display (e.g., 210A,B) can be integral with the electronically customizable article. In some implementations, the electronic visual display can be removable from the article.

[0021] In some implementations, the electronic visual display can be a flexible digital display canvas. In some implementations, the electronic visual display can be a touch screen. In some implementations, the electronic visual display can be a liquid

crystal display (LCD), light emitting diode (LED), organic light-emitting diode (OLED), interferometric modulator display (IMOD), or plasma, electronic display screen, or any other present or future developed electronic display screen technology.

[0022] In some implementations, the user-selected or created display can include a color, a design, an image, a pattern, a slideshow, a video, media content, or any other electronic visual display. In some implementations, the user-selected or created display can include a specific color such as a PMS, Hex, CMYK, or RGB color, or any other color. In some implementations, the user-selected or created display can include one or images such as a jpeg, bmp, eps, psd, gif, pdf, raw, and/or tiff image. In some implementations, the user can select the view (e.g., landscape or portrait) for a display.

[0023] In some implementations, the electronically customizable article can be configured to rotate a display on the electronic visual display based on the position of the electronically customizable article. For example, in some implementations, the electronically customizable article can include an accelerometer and/or proximity sensors.

[0024] In some implementations, the electronic visual display 210 may be in multiple locations on the electronically customizable article. In this way, the electronically customizable article can display multiple visual images on different parts of the electronically customizable article simultaneously. In some implementations, the electronically customizable article can display a specified order and timing of images, display multiple visual images on different parts of the article, display stationary images or images in motion, designs, patterns and colors simultaneously. The electronically customizable article also can display a specified order and timing of images, colors, designs, patterns, or multiple visual images simultaneously or in synchronous with one or more other electronically customizable articles such as, for example, shoes and a belt.

[0025] In some implementations a time and/or date, email, or text message notification can be displayed on the electronic visual display. Display options also may

consist of a user selected real time news feed, a social media feed, or other informative feeds such as stock market data.

[0026] In some implementations, the electronically customizable article can display a media/video clip.

[0027] In some implementations, the electronically customizable article can display video during real-time or near real-time video capture.

[0028] In some implementations, the electronically customizable article can display live video images, still images, and video playback. In some implementations, the electronically customizable article can include a built in camera to capture and/or record the video or still images. In some implementations, the video or still images can be transferred to the electronically customizable article. In some implementations, the electronically customizable article can include video-teleconferencing abilities including Skype, FaceTime and video chat capabilities.

[0029] In some implementations, the electronically customizable article can display a specified order and timing of media/video clip images simultaneously or in synchronous with one or more other electronically customizable articles such as but not limited to shoes, belts and hats.

[0030] In some implementations, the electronic visual display may include a backlight.

[0031] In some implementations, the electronic visual display may be located on one or more sides of the electronically customizable article.

[0032] In some implementations, the resolution and/or pixel definition and aspect ratio of the electronic visual display may be dependent on the size and style of electronically customizable article.

[0033] In some implementations, the electronic visual display and/or electronically customizable article may include glare and reflection reduction features.

[0034] In some implementations, the electronically customizable article may include a multi-touch screen and/or handwriting recognition capabilities.

[0035] In some implementations, the electronic visual display maybe placed in a locked position thereby disabling any accidental navigation while only displaying the user's desired image.

[0036] In some implementations, the electronically customizable article can be used for advertisement purposes.

[0037] In some implementations, the electronically customizable article can be configured to display notifications of calendar meetings and set alarms. In some implementations, notifications can consist of a text display, image display, color illumination, an audio signal, vibration, or a combination of the foregoing.

[0038] In some implementations, patterns, designs, colors, images, media content along with other content may be ordered or downloaded to an electronically customizable article on a fee basis purchase using financial/accounting management systems allowing for financial arrangements and transactions such as a one-time fee, monthly fee and or yearly subscriptions via computer and mobile applications, computer programs, internet websites and computer software. Some features maybe disabled such as the transfer of certain images, designs, patterns, colors and or video content where fee purchase is required for download of material, preventing unauthorized use of image content from designer, artist or creator of downloadable content or material.

[0039] In some implementations, images, colors, designs, patterns and design templates maybe pre-downloaded, personally ordered via software or computer/mobile applications on a fee basis purpose to display on the electronically customizable article.

[0040] In some implementations, the electronically customizable article can include built- in apps such as visual display touch-screen keyboard, time indicator with alarm, weather and calendar display, built in to do list and grocery manager app, drawing/note taking board and flashlight.

[0041] In some implementations, the electronically customizable article can support and download various game systems e.g. Java games. In some

implementation, the electronically customizable article can include pre-downloaded games.

[0042] In some implementations, the electronically customizable article can include wireless credit card features and terminals allowing for on-device purchasing of computer and software applications or other applications and programs, installation and updates.

[0043] In some implementations, the electronically customizable article can include security features such as password requirements or biometric components to operate article or certain features of article to aid in protection of confidential information.

[0044] In some implementations, the electronically customizable article can use computer, mobile or software applications in conjunction with features of the device such as a built in camera and video capture abilities to help color coordinate articles of clothing with the device by visual input from the camera of the device of colors, designs, images or patterns of a user's clothing which are then interpreted by the application into matching colors, designs, patterns or images that can then be displayed on unit by use of the application.

[0045] In some implementations, the electronically customizable article is configured to connect with a mobile device via Bluetooth connectivity, for example, to display visual notification of incoming calls, text messages, calendar dates, email messages or voicemail messages.

[0046] In some implementations, the electronically customizable article includes a GPS receiver for locating unit and navigation capabilities. The GPS receiver and transmitter can be used to track device if lost or stolen. In some implementations, through the use of computer or mobile applications or other wireless communication operating system, selected retail information can be relayed to the electronically customizable article in visual and or audible notifications of information such sales, coupons and rebates dependent on the location of the device in the vicinity of the retail store with GPS use.

[0047] In some implementations, the electronically customizable article includes E-Reader capabilities for E-Books, magazines, newspapers and other reading articles on a possible fee basis. Text and images can be displayed in formats such as, but not limited to or required to include PDF, TXT, CHM, DOC, EXEL, EPUB, RTEF, and PUB. In some implementations, the electronically customizable article can be configured to adjust the text size. In some implementations, the electronically customizable article can be configured to vocalize the text via an audio narrator feature.

[0048] In some implementations, the electronically customizable article can be powered by solar power or other sources of light, kinetic energy sources, lithium ion, lithium ion polymer, nickel cadmium, fuel cell or nickel metal hydride battery or a combination of the foregoing. The electronically customizable article can be recharged through USB to computer system, power adapter, wireless electricity, battery charger, battery charging pad or docking station. In some implementations, the electronically customizable article may be configured to recharge other items through USB port or other port connectivity.

[0049] In some implementations, the electronically customizable article can be turned on or off and placed in different operating modes (e.g., air mode). In some implementations, the electronically customizable article can be configured to display a default screen in certain modes. In some implementations, the default screen can be the screen view when the display is turned off.

[0050] In some implementations, the electronically customizable article may include battery conserving features including user operated dimming controls to control the amount of light emitted from unit and ambient light sensors with automatic dimming and brightening effects. In some implementations, the electronically customizable article can be configured to have image display time minimums, which can vary according to specifics of displayed image, including image format and size. As a result, image display length ranges can vary depending on the electronic visual display. In some implementations, the electronically customizable article can be

configured to provide early notification of battery depletion with automatic display of default screen when battery is below a predetermined level.

[0051] In some implementations, the electronically customizable article may be enclosed in an exterior protective transparent touch sensitive shell that is in the shape of the article that may be clear, transparent and or translucent, waterproof, weatherproof, flexible, shatterproof and/or scratch resistant. All parts of the article or portions of the article may be covered with the protective exterior shell dependent on the size, shape and type of article. The exterior protective shell may consist of different types of material such as plastics. Different types of material or plastics may include PVC, ABS, vinyl, PES, PET, PE, PU, HDPE, LDPE, PP, PS, PC, MF,PF,PEEK and or silicone.

[0052] The exterior of the article may include additional features such as decorations, ornamentation and or functional hardware features that may be aesthetically appealing objects such as buttons, gems, jewels, zippers, belts, handles, straps, buckles, strings or laces, clasps, fasteners, closing devices, attachment devices, and other different types of hardware. Different texturized coverings may be added to some articles to help aid in the aesthetics of the article without hindering touch sensitive features or visibility of projected images. Hardware features may be added to the exterior of the article to aid in visual aesthetics or for functional purposes such as keeping device in an upright position, hanging position or viewing position or purpose. Functional hardware may also be used for purposes of docking the article to a docking station battery source if used or attaching device to a portable attachable keyboard that is either separate or can be combined with docking station to make use of the device as a laptop or personal computer format or position.

[0053] In some implementations, the electronically customizable article may include audio system components such as built in audio speakers, head phone port and microphone with voice recording abilities, input and output voice command abilities to process, interpret and functionalize sound, speaker phone and playback ability. In some implementations, the electronically customizable article may be configured to download music content via applications.

[0054] In some implementations, the electronically customizable article may include an audible alarm system that can be activated by user in potentially threatening events.

[0055] In some implementations, the electronically customizable article may be configured to play and display various music systems e.g., mp3 player or media player.

[0056] In some implementations, the electronically customizable article may include incorporate sound sensors that can activate visual simulation of displayed images or colors with sound e.g., displayed color changes with received sound frequencies.

[0057] In some implementations, the electronically customizable article may serve as an alert system for incoming calls, text messages, emails, calendar events, alarm clock alerts, traffic alerts, car and home alarm system alerts and other alerts.

[0058] In some implementations, the electronically customizable article may include one or more of the following features: fingerprint scanners or other biometric techniques (for purses, wallets, suitcases etc.), audio panic alarms, sensor activated interior color illuminations (for purses, bags, backpacks etc.), touchscreen security code options to open, close or operate articles, automatic closing apparatus (for purses, backpacks, laptop bags etc.), integrated hanging apparatus (e.g. purses), elongating or retractable adjustable straps (e.g. purses, laptop bags and backpacks), Integrated image projectors (e.g. briefcase and phones), adjustable components of articles (e.g. the height or heel of shoe or ability to convert style of shoe from e.g. open toe or closed toe), cooling and warming material features on select articles(e.g. shoes), motion sensors with visual pulse, pedometer and estimated calorie burner display on shoes with information recording ability, adjustable cushioning in shoes to aid in comfort, removable/ interchangeable customizing handles and inner material lining for (e.g. purses).

[0059] FIG. 1 illustrates an example environment 100 of the present disclosure for setting or changing the outer appearance of an electronically customizable article. As shown in FIG. 1, the environment 100 can include client devices 110a and 110b

(collectively client device 110), an electronically customizable article 115 with display 117, a wireless cellular network 120, network 125, a server 130, and a data storage 135.

[0060] Client devices 110a and 110b are depicted as a mobile phone 110a and desktop computer 110b, respectively, but client devices 110 may comprise any type of computing device, such as a desktop computer system, a laptop, a smartphone, a mobile telephone, a tablet-style computer, or any other handheld electronic device.

[0061] In some implementations, the client device 110a or the electronically customizable article 115 can connect to the network 125 through a wireless cellular network 120, such as GPRS-based and CDMA-based wireless networks, as well as 802.16 WiMax and long-range wireless data networks.

[0062] The network 125 may be an intranet, an extranet, a virtual private network (VPN), a local area network (LAN), a wireless LAN (WLAN), a wide area network (WAN), a metropolitan area network (MAN), a portion of the Internet, or another network 125 or a combination of two or more such networks. The present disclosure contemplates any suitable network 125.

[0063] One or more links 127 couple an electronically customizable article 115, a server 130, or a client 110b to network 125. In some implementations, one or more links 127 each can include one or more wired, wireless, or optical links. In some implementations, one or more links 127 each can include an intranet, an extranet, a VPN, a LAN, a WLAN, a WAN, a MAN, a portion of the Internet, or another link or a combination of two or more such links. The present disclosure contemplates any suitable links 127 coupling electronically customizable article 115, servers 130 and clients 110b to network 125.

[0064] One or more links 129 couple an electronically customizable article 115 to a client 110. In some implementations, one or more links 129 each can include one or more wired, wireless, or optical links. In some implementations, one or more links 129 each can include an intranet, an extranet, a WI-FI network, a wireless cellular network, a Wi-Max network, a long-range wireless data network, an ad hoc network, a personal area network (PAN) (such as BLUETOOTH), a VPN, a LAN, a WLAN, a WAN, a MAN,

a portion of the Internet, or another link or a combination of two or more such links. In some implementations, links 129 can include cable or connectors (e.g., USB cables) or a storage medium such as a flash drive, memory card, or other data storage device. The present disclosure contemplates any suitable links 129 coupling electronically customizable article 115 to clients 110.

[0065] Client devices 110a, 110b and the electronically customizable article 115 can interact with the server 130 via an application, such as a web browser or a native application including a mobile application, residing on the client devices 110a, 110b and electronically customizable article 115 to create, download, order, or configure images (still, video, graphic, or any other display item) to display on the electronically customizable article 115. In some implementations, the server 130 may be a social media site, such as Twitter, an e-mail server, other social-networking websites, shopping sites, review sites, and any third-party website to interact with content or other users. This disclosure contemplates any type of server 130 connected to network 125.

[0066] In some implementations, server 130 may be a unitary server or may be a distributed server spanning multiple computers or multiple datacenters. Server 130 may be of various types, such as, for example and without limitation, web server, news server, mail server, message server, advertising server, file server, application server, exchange server, database server, or proxy server. In some implementations, Server 130 may include hardware, software, or embedded logic components or a combination of two or more such components for carrying out the appropriate functionalities implemented or supported by Server 130. For example, a web server is generally capable of hosting websites containing web pages or particular elements of web pages. More specifically, a web server may host HTML files or other file types, or may dynamically create or constitute files upon a request, and communicate them to clients 110, 115 in response to HTTP or other requests from clients 110, 115. A mail server is generally capable of providing electronic mail services to various clients 110, 115. A database server is generally capable of providing an interface for managing data stored in one or more data stores.

[0067] In some implementations, one or more data storages 135 may be communicatively linked to server 130 via one or more links 127. In some implementations, data storages 135 may be used to store various types of information. In some implementations, the information stored in data storages 135 may be organized according to specific data structures. In particular embodiment, each data storage 135 may be a relational database. Particular embodiments may provide interfaces that enable server 130 or clients 110, 115 to manage, e.g., retrieve, modify, add, or delete, the information stored in data storage 135.

[0068] Client devices 110a, 110b and the electronically customizable article 115 can interact with each other via an application residing on the client devices 110a, 110b and electronically customizable article 115 to create, download, or configure images (still, video, graphic, or any other display item) to display on the electronically customizable article 115.

[0069] In some implementations, each client 110, 115 may be an electronic device including hardware, software, or embedded logic components or a combination of two or more such components and capable of carrying out the appropriate functions implemented or supported by client client 110, 115. For example and without limitation, a client 110b may be any type of computing device such as a desktop computer system, a laptop, a smartphone, a mobile telephone, a tablet-style computer, or any other handheld electronic device. Client 115 may be configured to carry out the function of a computing device such as a laptop, a smartphone, a mobile telephone, a tablet-style computer, or any other handheld electronic device. The present disclosure contemplates any suitable clients 110, 115. A client 110, 115 may enable a network user at client 110, 115 to access network 127. A client 110, 115 may enable its user to communicate with other users at other clients 110, 115.

[0070] A client 110, 115 may have a web browser, such as MICROSOFT INTERNET EXPLORER, GOOGLE CHROME, MOZILLA FIREFOX, or any other future developed web browser and may have one or more add-ons, plug-ins, or other extensions. A user at client 110, 115 may enter a Uniform Resource Locator (URL) or

other address directing the web browser to a server 130, and the web browser may generate a Hyper Text Transfer Protocol (HTTP) request and communicate the HTTP request to server 130. Server 130 may accept the HTTP request and communicate to client 110, 115 one or more Hyper Text Markup Language (HTML) files responsive to the HTTP request. Client 110, 115 may render a web page based on the HTML files from server 130 for presentation to the user. The present disclosure contemplates any suitable web page files. As an example and not by way of limitation, web pages may render from HTML files, Extensible Hyper Text Markup Language (XHTML) files, or Extensible Markup Language (XML) files, according to particular needs. Such pages may also execute scripts such as, for example and without limitation, those written in JAVASCRIPT, JAVA, MICROSOFT SILVERLIGHT, combinations of markup language and scripts such as AJAX (Asynchronous JAVASCRIPT and XML), and the like. Herein, reference to a web page encompasses one or more corresponding web page files (which a browser may use to render the web page) and vice versa, where appropriate.

[0071] FIG. 3 illustrates an example computer system 300, which may be used with some embodiments of the present invention. FIG. 3 illustrates an example computer system for a client device or electronically customizable article. This disclosure contemplates any suitable number of computer systems 300. This disclosure contemplates computer system 300 taking any suitable physical form. As example and not by way of limitation, computer system 300 may be an embedded computer system, a system-on-chip (SOC), a single-board computer system (SBC) (such as, for example, a computer-on-module (COM) or system-on-module (SOM)), a desktop computer system, a laptop, an interactive kiosk, a mainframe, a mesh of computer systems, a mobile telephone, a personal digital assistant (PDA), a server, or a combination of two or more of these. Where appropriate, computer system 300 may include one or more computer systems 300; be unitary or distributed; span multiple locations; span multiple machines; or reside in a cloud, which may include one or more cloud components in one or more networks. Where appropriate, one or more computer systems 300 may perform without substantial spatial or temporal limitation one or more steps of one or more methods

described or illustrated herein. As an example and not by way of limitation, one or more computer systems 300 may perform in real time or in batch mode one or more steps of one or more methods described or illustrated herein. One or more computer systems 300 may perform at different times or at different locations one or more steps of one or more methods described or illustrated herein, where appropriate.

[0072] In some implementations, computer system 300 includes a processor 302, memory 304, storage 306, an input/output (I/O) interface 308, a communication interface 310, and a bus 312. Although this disclosure describes and illustrates a particular computer system having a particular number of particular components in a particular arrangement, this disclosure contemplates any suitable computer system having any suitable number of any suitable components in any suitable arrangement.

[0073] In some implementations, processor 302 includes hardware for executing instructions, such as those making up a computer program. As an example and not by way of limitation, to execute instructions, processor 302 may retrieve (or fetch) the instructions from an internal register, an internal cache, memory 304, or storage 306; decode and execute them; and then write one or more results to an internal register, an internal cache, memory 304, or storage 306. In some implementations, processor 302 may include one or more internal caches for data, instructions, or addresses. The present disclosure contemplates processor 302 including any suitable number of any suitable internal caches, where appropriate. As an example and not by way of limitation, processor 302 may include one or more instruction caches, one or more data caches, and one or more translation look-aside buffers (TLBs). Instructions in the instruction caches may be copies of instructions in memory 304 or storage 306, and the instruction caches may speed up retrieval of those instructions by processor 302. Data in the data caches may be copies of data in memory 304 or storage 306 for instructions executing at processor 302 to operate on; the results of previous instructions executed at processor 302 for access by subsequent instructions executing at processor 302 or for writing to memory 304 or storage 306; or other suitable data. The data caches may speed up read or write operations by processor 302. The TLBs may speed up virtual-address

translation for processor 302. In some implementations, processor 302 may include one or more internal registers for data, instructions, or addresses. The present disclosure contemplates processor 302 including any suitable number of any suitable internal registers, where appropriate. Where appropriate, processor 302 may include one or more arithmetic logic units (ALUs); be a multi-core processor; or include one or more processors 302. Although this disclosure describes and illustrates a particular processor, this disclosure contemplates any suitable processor.

[0074] In some implementations, memory 304 includes main memory for storing instructions for processor 302 to execute or data for processor 302 to operate on. As an example and not by way of limitation, computer system 300 may load instructions from storage 306 or another source (such as, for example, another computer system 300) to memory 304. Processor 302 may then load the instructions from memory 304 to an internal register or internal cache. To execute the instructions, processor 302 may retrieve the instructions from the internal register or internal cache and decode them. During or after execution of the instructions, processor 302 may write one or more results (which may be intermediate or final results) to the internal register or internal cache. Processor 302 may then write one or more of those results to memory 304. In some implementations, processor 302 executes only instructions in one or more internal registers or internal caches or in memory 304 (as opposed to storage 306 or elsewhere) and operates only on data in one or more internal registers or internal caches or in memory 304 (as opposed to storage 306 or elsewhere). One or more memory buses (which may each include an address bus and a data bus) may couple processor 302 to memory 304. Bus 312 may include one or more memory buses, as described below. In some implementations, one or more memory management units (MMUs) reside between processor 302 and memory 304 and facilitate accesses to memory 304 requested by processor 302. In some implementations, memory 304 includes random access memory (RAM). This RAM may be volatile memory, where appropriate. Where appropriate, this RAM may be dynamic RAM (DRAM) or static RAM (SRAM). Moreover, where appropriate, this RAM may be single-ported or multi-ported RAM.

The present disclosure contemplates any suitable RAM. Memory 304 may include one or more memories 302, where appropriate. Although this disclosure describes and illustrates particular memory, this disclosure contemplates any suitable memory.

[0075] In some implementations, storage 306 includes mass storage for data or instructions. As an example and not by way of limitation, storage 306 may include an HDD, a floppy disk drive, flash memory, an optical disc, a magneto-optical disc, magnetic tape, or a Universal Serial Bus (USB) drive or a combination of two or more of these. Storage 306 may include removable or non-removable (or fixed) media, where appropriate. Storage 306 may be internal or external to computer system 300, where appropriate. In some implementations, storage 306 is non-volatile, solid-state memory. In some implementations, storage 306 includes read-only memory (ROM). Where appropriate, this ROM may be mask-programmed ROM, programmable ROM (PROM), erasable PROM (EPROM), electrically erasable PROM (EEPROM), electrically alterable ROM (EAROM), or flash memory or a combination of two or more of these. This disclosure contemplates mass storage 306 taking any suitable physical form. Storage 306 may include one or more storage control units facilitating communication between processor 302 and storage 306, where appropriate. Where appropriate, storage 306 may include one or more storages 306. Although this disclosure describes and illustrates particular storage, this disclosure contemplates any suitable storage.

[0076] In some implementations, I/O interface 308 includes hardware, software, or both providing one or more interfaces for communication between computer system 300 and one or more I/O devices. Computer system 300 may include one or more of these I/O devices, where appropriate. One or more of these I/O devices may enable communication between a person and computer system 300. As an example and not by way of limitation, an I/O device may include a keyboard, keypad, microphone, monitor, mouse, printer, scanner, speaker, still camera, stylus, tablet, touch screen, trackball, video camera, another suitable I/O device or a combination of two or more of these. An I/O device may include one or more sensors. This disclosure contemplates any suitable I/O devices and any suitable I/O interfaces 308 for them. Where

appropriate, I/O interface 308 may include one or more device or software drivers enabling processor 302 to drive one or more of these I/O devices. I/O interface 308 may include one or more I/O interfaces 308, where appropriate. Although this disclosure describes and illustrates a particular I/O interface, this disclosure contemplates any suitable I/O interface.

[0077] In some implementations, communication interface 310 includes hardware, software, or both providing one or more interfaces for communication (such as, for example, packet-based communication) between computer system 300 and one or more other computer systems 300 or one or more networks. As an example and not by way of limitation, communication interface 310 may include a network interface controller (NIC) or network adapter for communicating with an Ethernet or other wire-based network or a wireless NIC (WNIC) or wireless adapter for communicating with a wireless network, such as a WI-FI network. This disclosure contemplates any suitable network and any suitable communication interface 310 for it. As an example and not by way of limitation, computer system 300 may communicate with an ad hoc network, a personal area network (PAN), a local area network (LAN), a wide area network (WAN), a metropolitan area network (MAN), or one or more portions of the Internet or a combination of two or more of these. One or more portions of one or more of these networks may be wired or wireless. As an example, computer system 300 may communicate with a wireless PAN (WPAN) (such as, for example, a BLUETOOTH WPAN), a WI-FI network, a WI-MAX network, a cellular telephone network (such as, for example, a Global System for Mobile Communications (GSM) network), GPS, or other suitable wireless network or a combination of two or more of these. Computer system 300 may include any suitable communication interface 310 for any of these networks, where appropriate. Communication interface 310 may include one or more communication interfaces 310, where appropriate. Although this disclosure describes and illustrates a particular communication interface, this disclosure contemplates any suitable communication interface.

[0078] In some implementations, bus 312 includes hardware, software, or both coupling components of computer system 300 to each other. As an example and not by way of limitation, bus 312 may include an Accelerated Graphics Port (AGP) or other graphics bus, an Enhanced Industry Standard Architecture (EISA) bus, a front-side bus (FSB), a HYPERTRANSPORT (HT) interconnect, an Industry Standard Architecture (ISA) bus, an INFINIBAND interconnect, a low-pin-count (LPC) bus, a memory bus, a Micro Channel Architecture (MCA) bus, a Peripheral Component Interconnect (PCI) bus, a PCI-Express (PCI-X) bus, a serial advanced technology attachment (SATA) bus, a Video Electronics Standards Association local (VLB) bus, or another suitable bus or a combination of two or more of these. Bus 312 may include one or more buses 312, where appropriate. Although this disclosure describes and illustrates a particular bus, this disclosure contemplates any suitable bus or interconnect.

[0079] The client-side functionality described above can be implemented as a series of instructions stored on a computer-readable storage medium that, when executed, cause a programmable processor to implement the operations described above. While the client devices 110, 115 may be implemented in a variety of different hardware and computing systems, FIG. 4 shows a schematic representation of the main components of an example computing platform 402, according to various particular embodiments. Multipoint sensing devices generally include a controller 404 which may comprise a microcontroller or one or more processors configured to execute instructions and to carry out operations associated with a computing platform. In various embodiments, controller 404 may be implemented as a single-chip, multiple chips and/or other electrical components including one or more integrated circuits and printed circuit boards. Controller 404 may optionally contain a cache memory unit for temporary local storage of instructions, data, or computer addresses. By way of example, using instructions retrieved from memory, controller 404 may control the reception and manipulation of input and output data between components of computing platform 402.

[0080] Controller 404 together with a suitable operating system may operate to execute instructions in the form of computer code and produce and use data. By way of example and not by way of limitation, the operating system may be Windows-based, Mac-based, or Unix or Linux-based, or Symbian-based, among other suitable operating systems. The operating system, other computer code (including control client 408 described below) and/or data may be physically stored within a memory block 406 that is operatively coupled to controller 404.

[0081] Memory block 406 encompasses one or more storage media and generally provides a place to store computer code (e.g., software and/or firmware) and data that are used by the computing platform 402. By way of example, memory block 406 may include various tangible computer-readable storage media including Read-Only Memory (ROM) and/or Random-Access Memory (RAM). As is well known in the art, ROM acts to transfer data and instructions uni-directionally to controller 404, and RAM is used typically to transfer data and instructions in a bi-directional manner. Memory block 406 may also include one or more fixed storage devices in the form of, by way of example, solid-state hard disk drives (HDDs), among other suitable forms of memory coupled bi-directionally to controller 404. Information may also reside on a removable storage medium loaded into or installed in multipoint sensing devices when needed. By way of example, any of a number of suitable memory cards may be loaded into computing platform 402 on a temporary or permanent basis.

[0082] Controller 404 is also generally coupled to a variety of interfaces such as graphics control, video interface, input interface, output interface, and storage interface, and network interface, and these interfaces in turn are coupled to the appropriate devices. In certain embodiment, Controller 404 may connected to an input structure 414 and display 416 may be provided together, such as in the case of a touchscreen where a touch sensitive mechanism is provided in conjunction with the display 416. In such embodiments, the user may select or interact with displayed interface elements via the touch sensitive mechanism. In this way, the displayed interface may provide interactive

functionality, allowing a user to navigate the displayed interface by touching the display 416.

[0083] Controller 404 may receive instruction signals from input structure 414 and control the operation of display 416. By way of example, display 416 may incorporate liquid crystal display (LCD), light emitting diode (LED), Interferometric modulator display (IMOD), or any other suitable display technology. Audio signals may be transmitted and received by means of an antenna 418 that may be connected through a radio interface 420 or audio input interface such as microphone 424 to codec 422 configured to process signals under control of controller 404. Additionally, multipoint sensing devices may be powered power source 432.

[0084] Client devices 110, 115 may also include one or more user input devices 434 (other than input structure 414) that are operatively coupled to the controller 404. Generally, input devices 434 are configured to transfer data, commands and responses from the outside world into multipoint sensing devices. By way of example, client devices 110, 115 may include a keyboard or mouse. Input devices 434 may also include one or more hard buttons.

[0085] Display device 416 is generally configured to display a graphical user interface (GUI) that provides an easy to use visual interface between a user of the computing platform 402 and the operating system or application(s) running on the client devices 110, 115. Generally, the GUI presents programs, files and operational options with graphical images. During operation, the user may select and activate various graphical images displayed on the display 416 in order to initiate functions and tasks associated therewith.

[0086] Herein, reference to a computer-readable storage medium encompasses one or more non-transitory, tangible computer-readable storage media possessing structure. As an example and not by way of limitation, a computer-readable storage medium may include a semiconductor-based or other integrated circuit (IC) (such, as for example, a field-programmable gate array (FPGA) or an application-specific IC (ASIC)), a hard disk, an HDD, a hybrid hard drive (HHD), an optical disc, an optical

disc drive (ODD), a magneto-optical disc, a magneto-optical drive, a floppy disk, a floppy disk drive (FDD), magnetic tape, a holographic storage medium, a solid-state drive (SSD), a RAM-drive, a SECURE DIGITAL card, a SECURE DIGITAL drive, or another suitable computer-readable storage medium or a combination of two or more of these, where appropriate. Herein, reference to a computer-readable storage medium excludes any medium that is not eligible for patent protection under 35 U.S.C. § 101. Herein, reference to a computer-readable storage medium excludes transitory forms of signal transmission (such as a propagating electrical or electromagnetic signal per se) to the extent that they are not eligible for patent protection under 35 U.S.C. § 101.

[0087] This disclosure contemplates one or more computer-readable storage media implementing any suitable storage. In some implementations, a computer-readable storage medium implements one or more portions of processor 302 (such as, for example, one or more internal registers or caches), one or more portions of memory 604, one or more portions of storage 306, or a combination of these, where appropriate. In some implementations, a computer-readable storage medium implements RAM or ROM. In some implementations, a computer-readable storage medium implements volatile or persistent memory. In some implementations, one or more computer-readable storage media embody software. Herein, reference to software may encompass one or more applications, bytecode, one or more computer programs, one or more executables, one or more instructions, logic, machine code, one or more scripts, or source code, and vice versa, where appropriate. In some implementations, software includes one or more application programming interfaces (APIs). This disclosure contemplates any suitable software written or otherwise expressed in any suitable programming language or combination of programming languages. In some implementations, software is expressed as source code or object code. In some implementations, software is expressed in a higher-level programming language, such as, for example, C, Perl, or a suitable extension thereof. In some implementations, software is expressed in a lower-level programming language, such as assembly language (or machine code). In some implementations, software is expressed in JAVA.

In some implementations, software is expressed in Hyper Text Markup Language (HTML), Extensible Markup Language (XML), or other suitable markup language.

[0088] The present disclosure encompasses all changes, substitutions, variations, alterations, and modifications to the example embodiments herein that a person having ordinary skill in the art would comprehend. Similarly, where appropriate, the appended claims encompass all changes, substitutions, variations, alterations, and modifications to the example embodiments herein that a person having ordinary skill in the art would comprehend.

[0089] The foregoing description of the embodiments of the invention has been presented for the purpose of illustration; it is not intended to be exhaustive or to limit the invention to the precise forms disclosed. Persons skilled in the relevant art can appreciate that many modifications and variations are possible in light of the above disclosure. For example, although the foregoing embodiments have been described in the context of a social network system, it will be apparent to one of ordinary skill in the art that the invention may be used with any electronic social network service and, even if it is not provided through a website. Any computer-based system that provides social networking functionality can be used in accordance with the present invention even if it relies, for example, on e-mail, instant messaging or other form of peer-to-peer communications, and any other technique for communicating between users. The invention is thus not limited to any particular type of communication system, network, protocol, format or application.

[0090] Some portions of this description describe the embodiments of the invention in terms of algorithms and symbolic representations of operations on information. These algorithmic descriptions and representations are commonly used by those skilled in the data processing arts to convey the substance of their work effectively to others skilled in the art. These operations, while described functionally, computationally, or logically, are understood to be implemented by computer programs or equivalent electrical circuits, microcode, or the like. Furthermore, it has also proven convenient at times, to refer to these arrangements of operations as modules, without

loss of generality. The described operations and their associated modules may be embodied in software, firmware, hardware, or any combinations thereof

[0091] Any of the steps, operations, or processes described herein may be performed or implemented with one or more hardware or software modules, alone or in combination with other devices. In one embodiment, a software module is implemented with a computer program product comprising a computer-readable medium containing computer program code, which can be executed by a computer processor for performing any or all of the steps, operations, or processes described.

[0092] Embodiments of the invention may also relate to an apparatus for performing the operations herein. This apparatus may be specially constructed for the required purposes, and/or it may comprise a general-purpose computing device selectively activated or reconfigured by a computer program stored in the computer. Such a computer program may be stored in a tangible computer readable storage medium or any type of media suitable for storing electronic instructions, and coupled to a computer system bus. Furthermore, any computing systems referred to in the specification may include a single processor or may be architectures employing multiple processor designs for increased computing capability.

[0093] While the foregoing processes and mechanisms can be implemented by a wide variety of physical systems and in a wide variety of network and computing environments, the server or computing systems described below provide example computing system architectures for didactic, rather than limiting, purposes.

[0094] The present invention has been explained with reference to specific embodiments. For example, while embodiments of the present invention have been described as operating in connection with a social network system, the present invention can be used in connection with any communications facility that allows for communication of messages between users, such as an email hosting site. Other embodiments will be evident to those of ordinary skill in the art. It is therefore not intended that the present invention be limited, except as indicated by the appended claims.

[0095] Finally, the language used in the specification has been principally selected for readability and instructional purposes, and it may not have been selected to delineate or circumscribe the inventive subject matter. It is therefore intended that the scope of the invention be limited not by this detailed description, but rather by any claims that issue on an application based hereon. Accordingly, the disclosure of the embodiments of the invention is intended to be illustrative, but not limiting, of the scope of the invention, which is set forth in the following claims.

CLAIMS

1. An electronically customizable article comprising:
a fashion accessory selected from the group consisting of a handbag, a shoe, glasses, a tie, and a bowtie wherein the fashion accessory comprises an electronic visual display, a processor, a communication interface for communication between the fashion accessory and a network, and a non-transitory computer readable medium containing instructions that, when executed by the processor, causes the fashion accessory to connect to a server over the network, receive data from the server, and display one or more images associated with the data on the electronic visual display.
2. The electronically customizable article of claim 1 wherein the electronic visual display is a touch screen display.
3. The electronically customizable article of claim 1 wherein the electronic visual display is configured to rotate a display on the electronic visual display based on the position of the electronically customizable article.
4. The electronically customizable article of claim 1 wherein the files receive from the server includes data associate with an email.
5. The electronically customizable article of claim 1 wherein the data received from the server includes data associated with an email.
6. The electronically customizable article of claim 1 wherein the data received from the server includes data associated with a text message.
7. The electronically customizable article of claim 1 wherein the data received from the server includes data associated with a news feed.
8. The electronically customizable article of claim 1 wherein the data received from the server includes data associated with a video.

- 25 9. The electronically customizable article of claim 1 wherein the data received from the server includes data associated with a video game.
10. The electronically customizable article of claim 1 the server is a social media server and the electronically customizable article is configured to display social media content.
- 30 11. The electronically customizable article of claim 1 further comprising a video capture device for recording video wherein the electronically customizable article is configured to playback the captured video on the electronic visual display.
12. The electronically customizable article of claim 1 further configured to receive data from the server wherein the data is associated with an audio, and configured to
35 playback the audio file on an integrated speaker.
13. An electronically customizable article comprising:
a fashion accessory selected from the group consisting of a handbag, a shoe, glasses, a tie, and a bowtie wherein the fashion accessory comprises an electronic visual display, a processor, a I/O interface for communication between the fashion accessory
40 and I/O device, and a non-transitory computer readable medium containing instructions that, when executed by the processor, causes the fashion accessory to connect to the I/O device, receive data from I/O device, and display one or more images associated with the data on the electronic visual display.
14. The electronically customizable article of claim 13 wherein the I/O device is a
45 camera.
15. The electronically customizable article of claim 13 wherein the I/O device is a mobile device and displays notification of incoming calls, text messages, or email messages.

16. The electronically customizable article of claim 13 wherein the I/O device is
50 another electronically customizable article.

17. An electronically customizable article comprising:
a fashion accessory selected from the group consisting of a handbag, a shoe,
glasses, a tie, and a bowtie wherein the fashion accessory comprises an electronic visual
display, a processor, and a non-transitory computer readable medium containing
55 instructions that, when executed by the processor, causes the fashion accessory to
function as a handheld device.

18. The electronically customizable article of claim 17 wherein the handheld device
is a tablet-style computer.

19. The electronically customizable article of claim 17 wherein the handheld device
60 is a mobile phone.

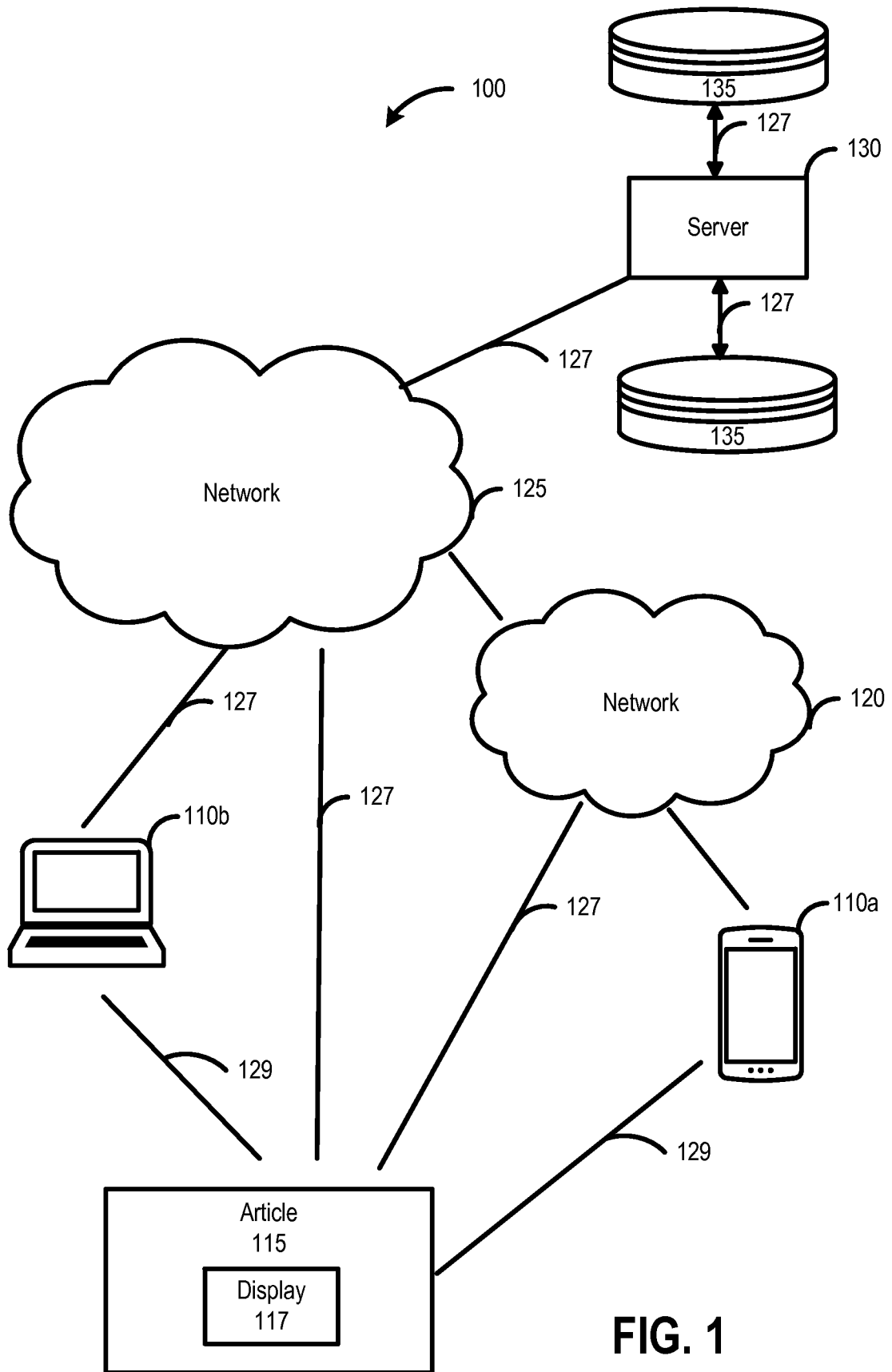


FIG. 1

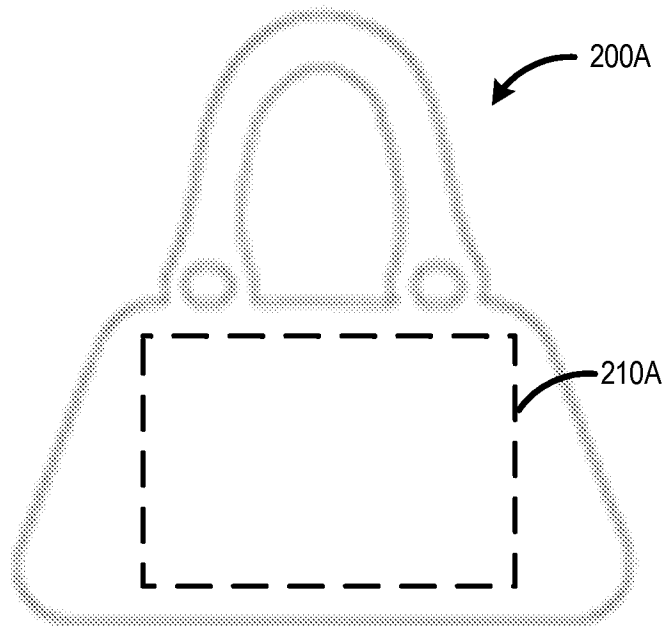
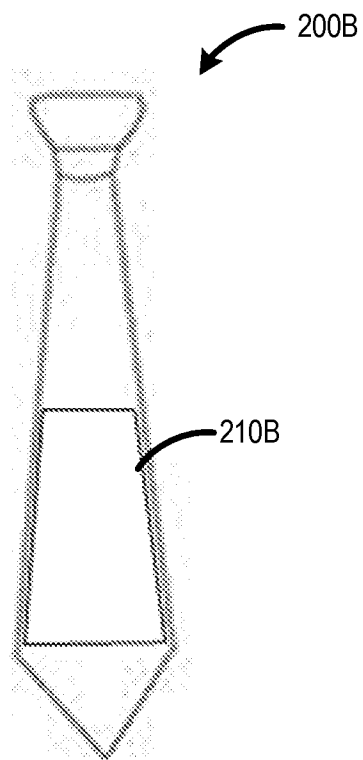


FIG. 2A



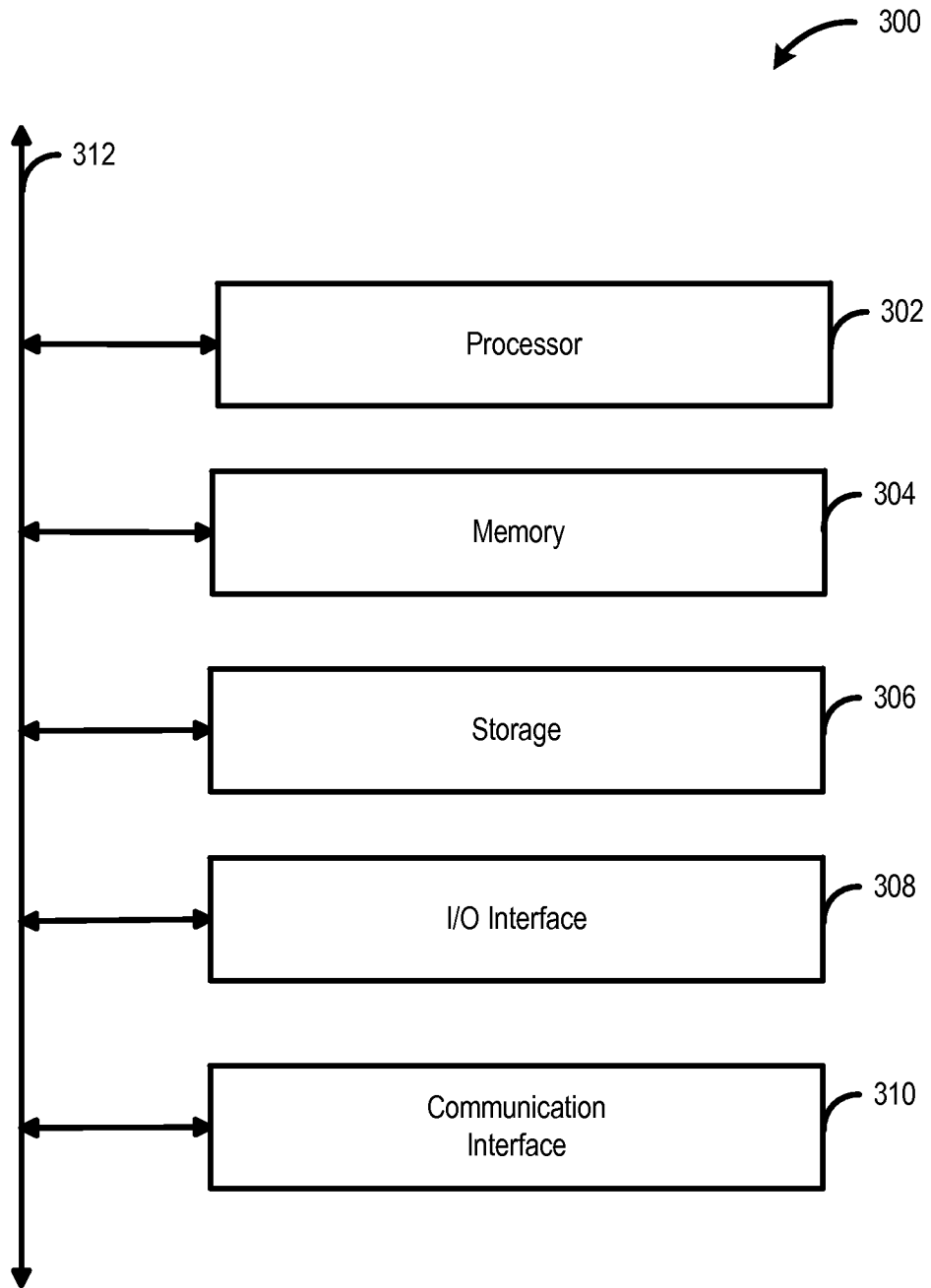


FIG. 3

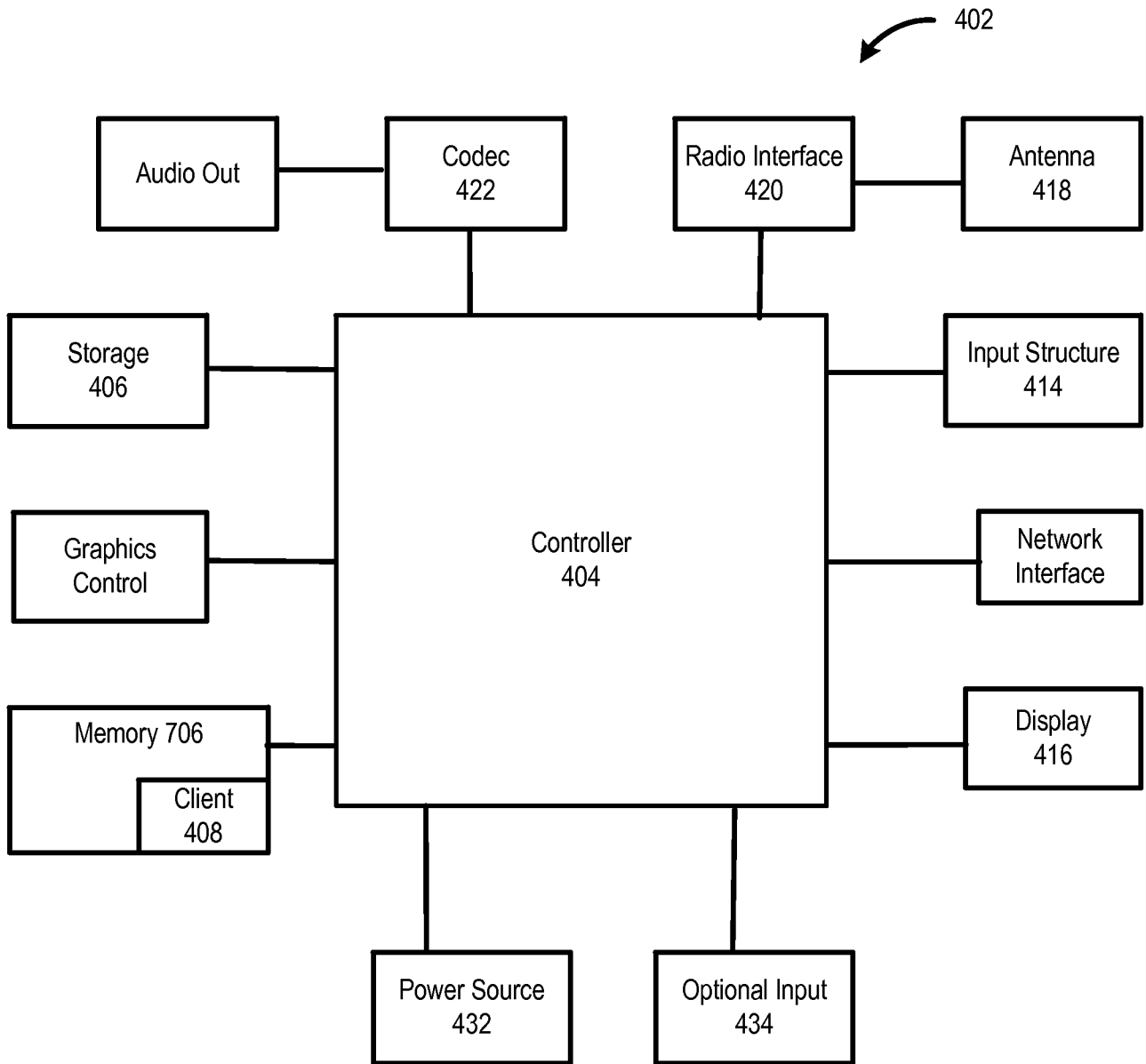


FIG. 4