



US00D885902S

(12) **United States Design Patent**
Berroa Garcia

(10) **Patent No.:** **US D885,902 S**

(45) **Date of Patent:** **** Jun. 2, 2020**

(54) **CAP (FOR BOTTLES)**

(71) Applicant: **BETAPACK, S.A.U.**, Irun (ES)

(72) Inventor: **Francisco Javier Berroa Garcia**, Irun (ES)

(73) Assignee: **BETAPACK, S.A.U.**, Irun (ES)

(**) Term: **15 Years**

(21) Appl. No.: **29/658,034**

(22) Filed: **Jul. 27, 2018**

(30) **Foreign Application Priority Data**

Jan. 29, 2018 (EM) 0046849590-0001

(51) **LOC (12) Cl.** **09-07**

(52) **U.S. Cl.**
USPC **D9/452**

(58) **Field of Classification Search**

USPC D3/202, 203.1, 203.2, 318; D7/300, D7/300.1, 316, 317, 323, 354, 387, 391, D7/392, 392.1, 396.1, 396.2, 397, 398, D7/503, 509, 510, 511, 523, 526-531, D7/538, 566, 568, 600.1, 602, 603, 614, D7/619.1, 629, 704, 900; D8/14, 14.1, D8/45; D9/434, 435, 440, 447, 452, 453, D9/499, 516, 529, 686, 723; D23/259, D23/260, 261; D24/121, 127, 199, 224
CPC B65D 2517/5091; B65D 41/04; B65D 23/12; B65D 1/0246; B65D 47/265; B65D 47/065; B65D 51/24; B65D 51/224; B65D 51/245; B65D 2101/0015; B65D 2251/0093; B65D 85/72; B65D 51/18; B65D 51/28; B65D 51/242; B65D 51/2814; B65D 51/2821; B65D 21/0228; B65D 41/3447; B65D 1/02; A61L 9/12; A47G 19/2205; A47G 19/2222; A47G 19/2266; A47G 19/2272; A47G 19/2294; A47J 43/27; B05B 7/2437; B05C 17/00576

See application file for complete search history.

(56) **References Cited**

U.S. PATENT DOCUMENTS

4,895,265 A * 1/1990 Luch B26F 1/18 215/43
4,904,435 A * 2/1990 Babcock B26F 1/18 264/154
5,257,705 A * 11/1993 de Santana B65D 41/3447 215/252
5,465,858 A * 11/1995 Gargione B65D 41/3438 215/252
5,487,481 A * 1/1996 Sander B65D 41/3447 215/252

(Continued)

OTHER PUBLICATIONS

Tamper evident Closures: Announced Apr. 21, 2017 [online]. Site Visited [Jul. 19, 2019]. Available from Internet URL: http://catalog.berryglobal.com/products/closure/closure-tamper-evident.*

(Continued)

Primary Examiner — Catherine S Posthauer

(74) *Attorney, Agent, or Firm* — Westman, Champlin & Koehler, P.A.

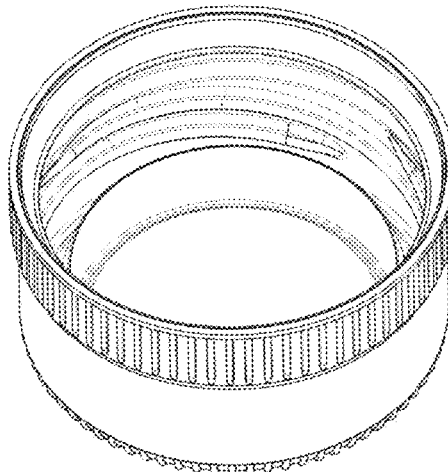
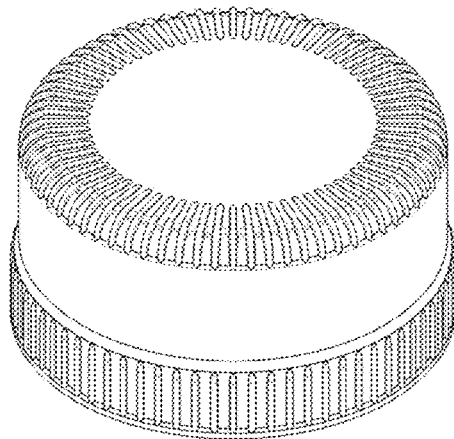
(57) **CLAIM**

The ornamental design for a “cap (for bottles)”, as shown and described.

DESCRIPTION

FIG. 1 is a top front perspective view of a cap (for bottles) showing my new design;
FIG. 2 is a front view thereof;
FIG. 3 is a top plan view thereof;
FIG. 4 is a side view thereof;
FIG. 5 is a rear view thereof;
FIG. 6 is a bottom view thereof; and,
FIG. 7 is a bottom perspective view thereof.

1 Claim, 4 Drawing Sheets



(56)

References Cited

U.S. PATENT DOCUMENTS

5,858,141 A * 1/1999 Repp B29C 65/3656
156/69
D407,978 S * 4/1999 Petro D9/453
6,116,443 A * 9/2000 Parrinello B65D 41/3428
215/252
D437,228 S * 2/2001 Collins D9/453
D460,357 S * 7/2002 Kras D9/435
D465,731 S * 11/2002 Brant D9/453
6,484,896 B2 * 11/2002 Ma B65D 41/3409
215/252
6,677,397 B1 * 1/2004 Baranowski B65D 41/34
524/488
6,766,916 B2 * 7/2004 Ma B65D 41/3428
215/252
6,981,602 B2 * 1/2006 Ma B29C 43/42
215/254
D518,717 S * 4/2006 German D9/453
D519,030 S * 4/2006 Matsuda D9/453
D582,275 S * 12/2008 Reed D9/453
D584,149 S * 1/2009 Lohrman D9/453
D606,864 S * 12/2009 Robinson D9/453
D610,451 S * 2/2010 Rippe D9/434
D619,003 S * 7/2010 Benoit-Gonin D9/453
D632,958 S * 2/2011 Fuchs D9/453
D634,200 S * 3/2011 Taber D9/453
D673,852 S * 1/2013 Wood D9/453
D687,299 S * 8/2013 Peykoff D9/453
D688,128 S * 8/2013 Krause B65D 41/0414
D9/453
D723,370 S * 3/2015 Medlin D9/453
D723,919 S * 3/2015 Taber D9/438
D731,238 S * 6/2015 Kalaouze, Jr. D7/392.1
D774,392 S * 12/2016 Broad D9/434
D789,201 S * 6/2017 Yu D9/453
D790,966 S * 7/2017 Roberts D9/453

D792,219 S * 7/2017 Bueno Nunez D9/453
D824,257 S * 7/2018 Wood D9/453
D838,171 S * 1/2019 Wood D9/453
2005/0284837 A1 * 12/2005 Taber B65D 51/145
215/276
2006/0255002 A1 * 11/2006 Takamatsu B65D 41/0421
215/252
2008/0173611 A1 * 7/2008 Neputy B65D 41/3423
215/256
2009/0045158 A1 * 2/2009 Suriol B65D 41/0407
215/256
2009/0120896 A1 * 5/2009 Scarlata B65D 50/00
215/217
2011/0290755 A1 * 12/2011 Taber B65D 41/00
215/329
2012/0031871 A1 * 2/2012 Molinaro B65D 1/023
215/44
2014/0083879 A1 * 3/2014 Ulstad B65D 51/225
206/222
2014/0263335 A1 * 9/2014 Taber B65D 41/0421
220/276
2014/0319093 A1 * 10/2014 Tsujiguchi B65D 1/0246
215/44
2018/0044079 A1 * 2/2018 van de Grift B65D 51/2835
2018/0057227 A1 * 3/2018 Bartow B65D 17/4012
2018/0162605 A1 * 6/2018 Zeng B65D 41/04
2018/0257822 A1 * 9/2018 Neputy B65D 41/0421
2018/0370701 A1 * 12/2018 Maguire B29C 45/0017
2019/0016510 A1 * 1/2019 Woodley B65D 50/043

OTHER PUBLICATIONS

Betapack Taponas: Site Visited [Jul. 19, 2019 [online]. Available from Internet URL: <https://www.betapack.com/es/site/taponas?p=2>.*

* cited by examiner

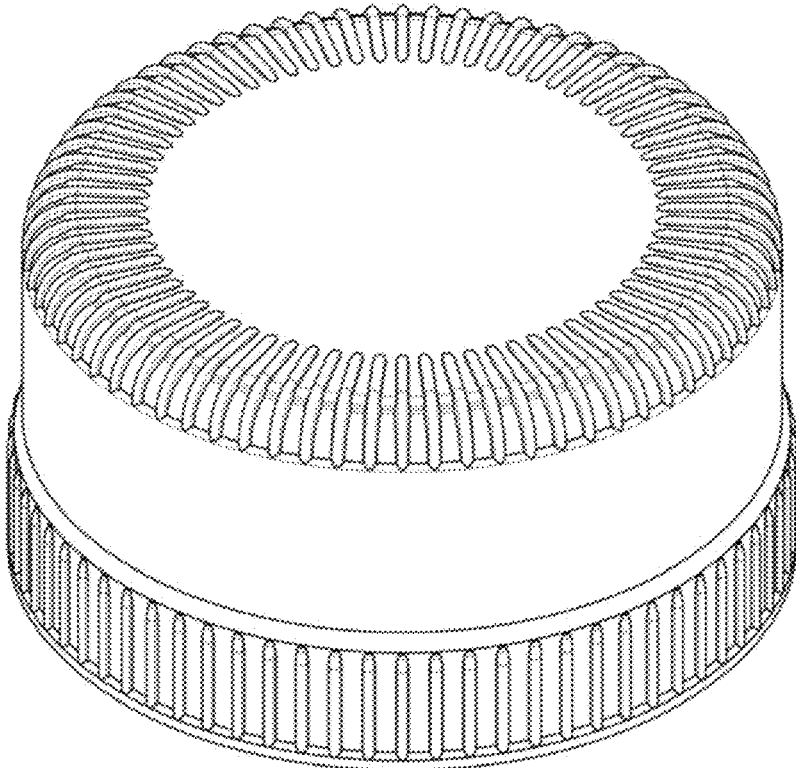


FIG. 1

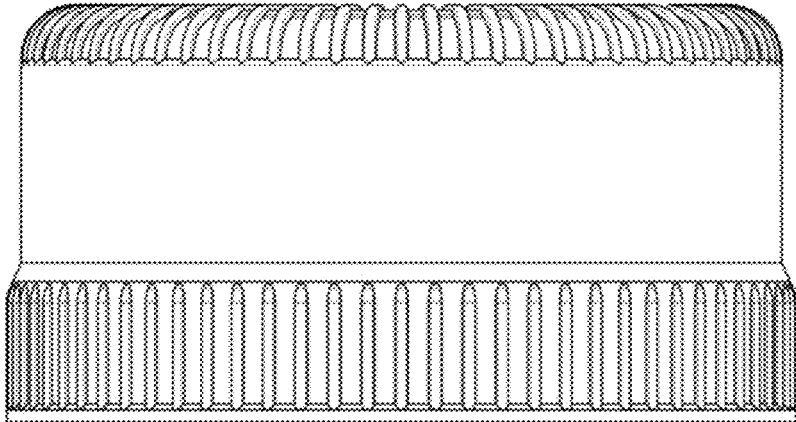


FIG. 2

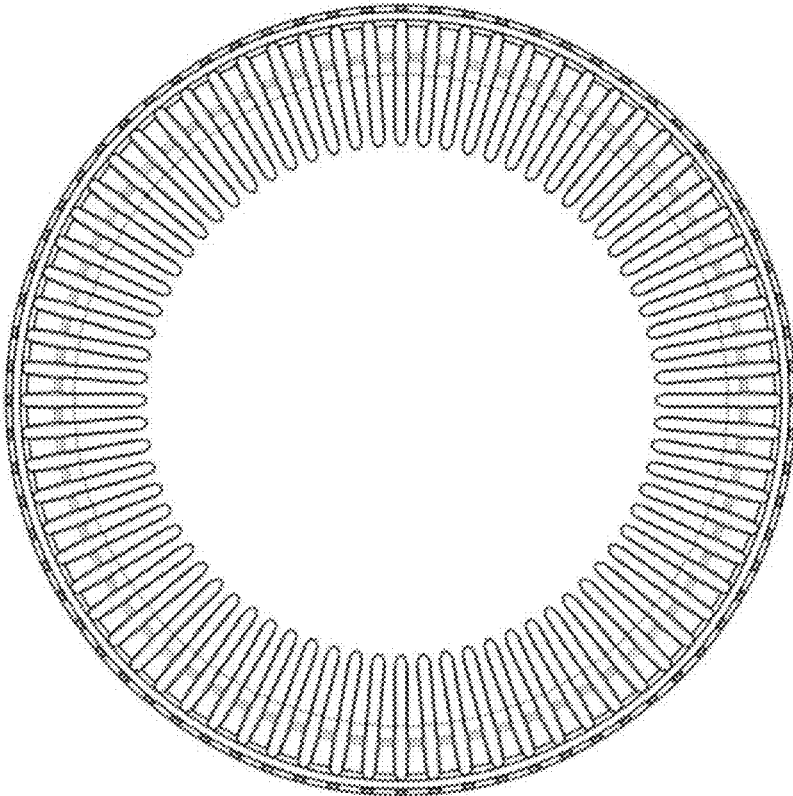


FIG. 3

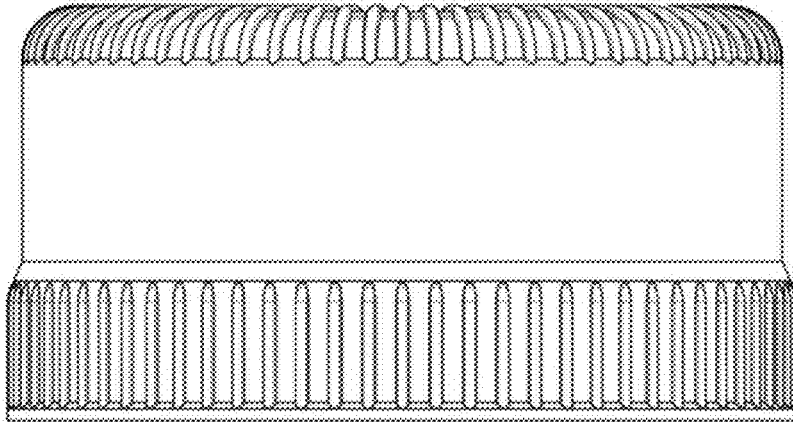


FIG. 4

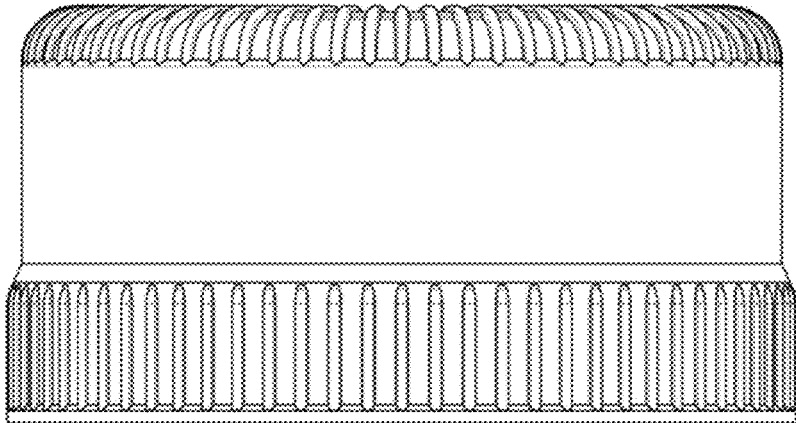


FIG. 5

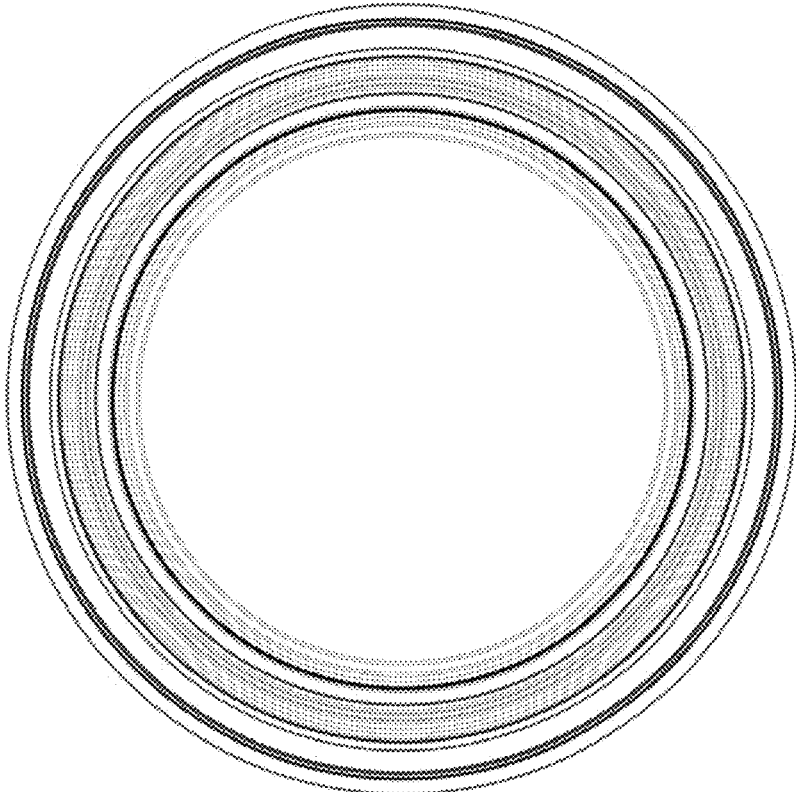


FIG. 6

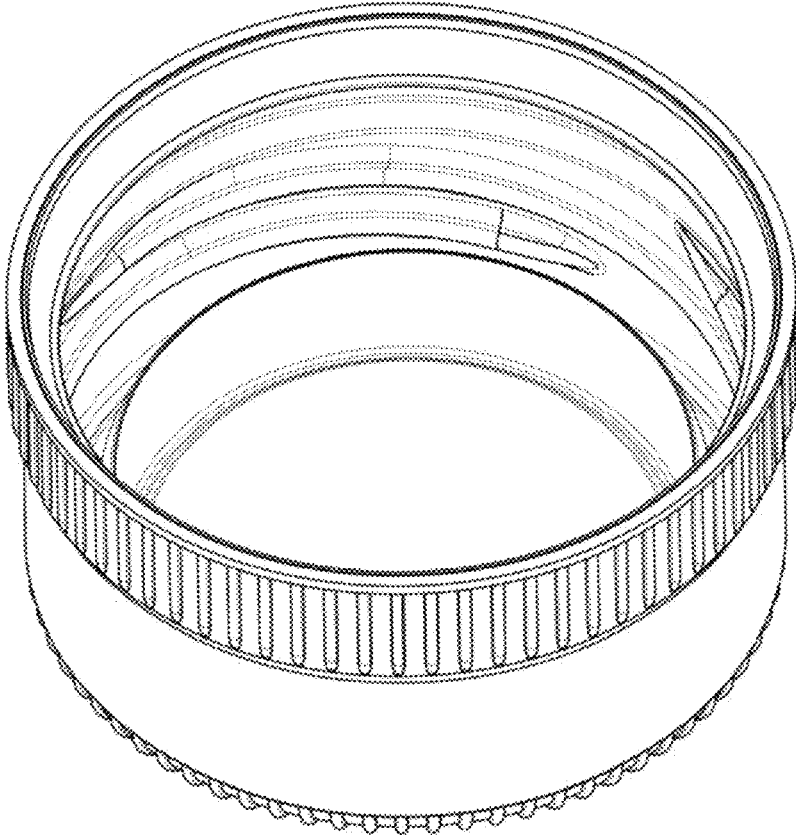


FIG. 7