

(19) World Intellectual Property Organization
International Bureau



(43) International Publication Date
7 April 2011 (07.04.2011)

(10) International Publication Number
WO 2011/041439 A3

(51) International Patent Classification:

A61B 19/00 (2006.01) A61F 2/46 (2006.01)
B25J 18/00 (2006.01) A61B 17/58 (2006.01)

(21) International Application Number:

PCT/US2010/050754

(22) International Filing Date:

29 September 2010 (29.09.2010)

(25) Filing Language:

English

(26) Publication Language:

English

(30) Priority Data:

61/278,066 1 October 2009 (01.10.2009) US
61/339,460 4 March 2010 (04.03.2010) US
61/339,756 9 March 2010 (09.03.2010) US
61/401,209 9 August 2010 (09.08.2010) US

(71) Applicant (for all designated States except US): **MAKO SURGICAL CORP.** [US/US]; 2555 Davie Road, Ft. Lauderdale, FL 33317 (US).

(72) Inventors; and

(75) Inventors/Applicants (for US only): **SUAREZ, Joseph** [US/US]; 5 Pine Island Rd, Apt 312, Plantation, FL

33324 (US). **SCHMITZ, Brian D.** [US/US]; 1305 Tangelo Isle, Fort Lauderdale, FL 33315 (US). **KANG, Hyosig** [KR/US]; 1114 Hickory Way, Weston, FL 33327 (US). **EBBITT, Peter L.** [US/US]; 23077 Old Inlet Bridge Dr., Boca Raton, FL 33433 (US).

(74) Agents: **RAWLINS, Andrew E.** et al.; Foley & Lardner LLP, 3000 K Street, NW, Suite 600, Washington, DC 20007 (US).

(81) Designated States (unless otherwise indicated, for every kind of national protection available): AE, AG, AL, AM, AO, AT, AU, AZ, BA, BB, BG, BH, BR, BW, BY, BZ, CA, CH, CL, CN, CO, CR, CU, CZ, DE, DK, DM, DO, DZ, EC, EE, EG, ES, FI, GB, GD, GE, GH, GM, GT, HN, HR, HU, ID, IL, IN, IS, JP, KE, KG, KM, KN, KP, KR, KZ, LA, LC, LK, LR, LS, LT, LU, LY, MA, MD, ME, MG, MK, MN, MW, MX, MY, MZ, NA, NG, NI, NO, NZ, OM, PE, PG, PH, PL, PT, RO, RS, RU, SC, SD, SE, SG, SK, SL, SM, ST, SV, SY, TH, TJ, TM, TN, TR, TT, TZ, UA, UG, US, UZ, VC, VN, ZA, ZM, ZW.

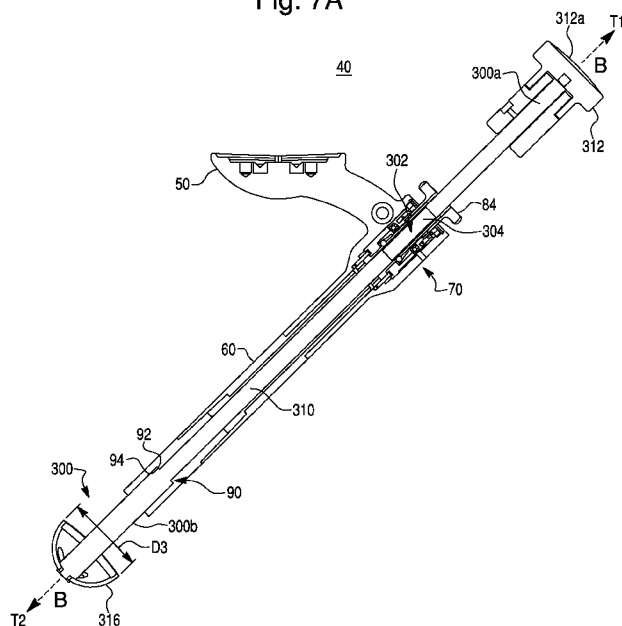
(84) Designated States (unless otherwise indicated, for every kind of regional protection available): ARIPO (BW, GH, GM, KE, LR, LS, MW, MZ, NA, SD, SL, SZ, TZ, UG,

[Continued on next page]

(54) Title: TOOL, KIT-OF-PARTS FOR MULTI-FUNCTIONAL TOOL, AND ROBOTIC SYSTEM FOR SAME

(57) Abstract: A tool includes a housing including a receiving portion configured to receive at least a portion of an operating member so as to permit rotation of the operating member relative to the housing while constraining movement of the operating member in a radial direction of the operating member. The tool also includes a coupling device disposed on the housing and configured to couple the operating member to the housing so as to permit rotation of the operating member relative to the housing. The coupling device includes a retaining member configured to engage the operating member to constrain movement of the operating member relative to the housing in a longitudinal direction of the operating member. The retaining member is configured to rotate relative to the housing.

Fig. 7A



WO 2011/041439 A3





ZM, ZW), Eurasian (AM, AZ, BY, KG, KZ, MD, RU, TJ, TM), European (AL, AT, BE, BG, CH, CY, CZ, DE, DK, EE, ES, FI, FR, GB, GR, HR, HU, IE, IS, IT, LT, LU, LV, MC, MK, MT, NL, NO, PL, PT, RO, SE, SI, SK, SM, TR), OAPI (BF, BJ, CF, CG, CI, CM, GA, GN, GQ, GW, ML, MR, NE, SN, TD, TG).

— *before the expiration of the time limit for amending the claims and to be republished in the event of receipt of amendments (Rule 48.2(h))*

(88) Date of publication of the international search report:

11 August 2011

Published:

— *with international search report (Art. 21(3))*

A. CLASSIFICATION OF SUBJECT MATTER*A61B 19/00(2006.01)i, B25J 18/00(2006.01)i, A61F 2/46(2006.01)i, A61B 17/58(2006.01)i*

According to International Patent Classification (IPC) or to both national classification and IPC

B. FIELDS SEARCHED

Minimum documentation searched (classification system followed by classification symbols)

A61B 19/00; A61B 17/16; A61B 17/00; B23Q 15/14; A61B 17/14

Documentation searched other than minimum documentation to the extent that such documents are included in the fields searched

Korean utility models and applications for utility models

Japanese utility models and applications for utility models

Electronic data base consulted during the international search (name of data base and, where practicable, search terms used)

eKOMPASS(KIPO internal) & Keywords: "joint replacement surgery", "surgical robot system", "housing", "coupling"

C. DOCUMENTS CONSIDERED TO BE RELEVANT

Category*	Citation of document, with indication, where appropriate, of the relevant passages	Relevant to claim No.
A	US 2008-0004633 A1 (LOUIS ARATA et al.) 03 January 2008 See abstract; paras. 6-11; claims 1, 6, 8; and figs. 1-3.	1-49
A	US 2004-0243134 A1 (PETER S. WALKER et al.) 02 December 2004 See abstract; paras. 2, 5-6, 32-36; claims 1-3; and figs. 2, 3.	1-49
A	US 05806518 A (BRENT D. MITTELSTADT) 15 September 1998 See abstract; column 7, line 64 - column 8, line 42; and figs. 1-2.	1-49
A	US 2007-0260253 A1 (WESLEY D. JOHNSON et al.) 08 November 2007 See abstract; paras. 2, 4, 14-15; and claim 1.	1-49

 Further documents are listed in the continuation of Box C. See patent family annex.

* Special categories of cited documents:

"A" document defining the general state of the art which is not considered to be of particular relevance

"E" earlier application or patent but published on or after the international filing date

"L" document which may throw doubts on priority claim(s) or which is cited to establish the publication date of citation or other special reason (as specified)

"O" document referring to an oral disclosure, use, exhibition or other means

"P" document published prior to the international filing date but later than the priority date claimed

"T" later document published after the international filing date or priority date and not in conflict with the application but cited to understand the principle or theory underlying the invention

"X" document of particular relevance; the claimed invention cannot be considered novel or cannot be considered to involve an inventive step when the document is taken alone

"Y" document of particular relevance; the claimed invention cannot be considered to involve an inventive step when the document is combined with one or more other such documents, such combination being obvious to a person skilled in the art

"&" document member of the same patent family

Date of the actual completion of the international search

15 JUNE 2011 (15.06.2011)

Date of mailing of the international search report

16 JUNE 2011 (16.06.2011)

Name and mailing address of the ISA/KR

Korean Intellectual Property Office
Government Complex-Daejeon, 189 Cheongsa-ro,
Seo-gu, Daejeon 302-701, Republic of Korea

Facsimile No. 82-42-472-7140

Authorized officer

KANG, HEE GOK

Telephone No. 82-42-481-8264



INTERNATIONAL SEARCH REPORT

Information on patent family members

International application No.

PCT/US2010/050754

Patent document cited in search report	Publication date	Patent family member(s)	Publication date
US 2008-0004633 A1	03.01.2008	AU 2007-254158 A1	29.11.2007
		AU 2007-254159 A1	29.11.2007
		AU 2007-254160 A1	29.11.2007
		CA 2651782 A1	29.11.2007
		CA 2651784 A1	29.11.2007
		CA 2654261 A1	29.11.2007
		CN 101448467 A	03.06.2009
		CN 101448468 A	03.06.2009
		CN 101484086 A	15.07.2009
		EP 2023842 A2	18.02.2009
		EP 2023843 A2	18.02.2009
		EP 2023844 A2	18.02.2009
		JP 2009-537229 T	29.10.2009
		JP 2009-537230 T	29.10.2009
		JP 2009-537231 T	29.10.2009
		US 2007-270685 A1	22.11.2007
		US 2008-010705 A1	10.01.2008
		US 2008-010706 A1	10.01.2008
		WO 2007-136768 A2	29.11.2007
		WO 2007-136768 A3	21.02.2008
		WO 2007-136769 A2	29.11.2007
		WO 2007-136769 A3	21.02.2008
		WO 2007-136770 A2	29.11.2007
WO 2007-136770 A3	21.02.2008		
WO 2007-136771 A2	29.11.2007		
US 2004-0243134 A1	02.12.2004	US 2005-0192583 A1	01.09.2005
		US 2005-0192584 A1	01.09.2005
		WO 2004-108012 A2	16.12.2004
		WO 2004-108012 A3	11.08.2005
US 05806518 A	15.09.1998	EP 0955882 A1	27.08.2003
		EP 0955882 B1	12.08.2009
		WO 97-09929 A1	20.03.1997
US 2007-0260253 A1	08.11.2007	AU 2002-315105 B2	12.07.2007
		AU 2003-212988 A1	04.09.2003
		AU 2005-267157 A1	02.02.2006
		AU 2005-267157 B2	24.02.2011
		AU 2006-272871 A1	01.02.2007
		AU 2006-272871 B2	10.06.2010
		AU 2006-272871 C1	20.01.2011
		AU 2006-294499 A1	05.04.2007
		AU 2006-294499 B2	29.04.2010
		AU 2008-237166 A1	16.10.2008
		CA 2467800 A1	21.08.2003
		CA 2467800 C	21.04.2009
		CA 2469555 A1	27.12.2002
		CA 2469555 C	17.03.2009

INTERNATIONAL SEARCH REPORT

Information on patent family members

International application No.

PCT/US2010/050754

Patent document cited in search report	Publication date	Patent family member(s)	Publication date
		CA 2574290 A1	02.02.2006
		CA 2615721 A1	01.02.2007
		CA 2623614 A1	05.04.2007
		CA 2648357 A1	27.12.2002
		CA 2681564 A1	16.10.2008
		CN 101272739 A	24.09.2008
		CN 101272739 A0	24.09.2008
		CN 101351161 A	21.01.2009
		CN 101652112 A	17.02.2010
		EP 1416864 A2	12.05.2004
		EP 1416864 B1	06.02.2008
		EP 1474047 A1	10.11.2004
		EP 1474047 B1	10.11.2010
		EP 1745763 A2	24.01.2007
		EP 1745764 A2	24.01.2007
		EP 1778559 A2	02.05.2007
		EP 1912579 A2	23.04.2008
		EP 1928323 A2	11.06.2008
		EP 2155108 A2	24.02.2010
		JP 04128951 B2	30.07.2008
		JP 04629742 B2	19.11.2010
		JP 2005-518831 A	30.06.2005
		JP 2005-526524 A	08.09.2005
		JP 2008-110243 A	15.05.2008
		JP 2008-110244 A	15.05.2008
		JP 2008-507354 A	13.03.2008
		JP 2009-502235 A	29.01.2009
		JP 2009-509687 A	12.03.2009
		JP 2010-523229 A	15.07.2010
		JP 2011-036693 A	24.02.2011
		US 2002-0193797 A1	19.12.2002
		US 2002-0198528 A1	26.12.2002
		US 2003-0236523 A1	25.12.2003
		US 2006-0004460 A1	05.01.2006
		US 2007-0173858 A1	26.07.2007
		US 2007-0276394 A1	29.11.2007
		US 2010-0145343 A1	10.06.2010
		US 6723102 B2	20.04.2004
		US 7115131 B2	03.10.2006
		US 7559928 B2	14.07.2009
		US 7604637 B2	20.10.2009
		US 7758652 B2	20.07.2010
		WO 02-102254 A2	27.12.2002
		WO 02-102254 A3	27.12.2002
		WO 03-068078 A1	21.08.2003
		WO 2006-012370 A2	02.02.2006
		WO 2006-012370 A3	02.02.2006
		WO 2007-013959 A2	01.02.2007
		WO 2007-013959 A3	01.02.2007
		WO 2007-038776 A2	05.04.2007

INTERNATIONAL SEARCH REPORT

Information on patent family members

International application No.

PCT/US2010/050754

Patent document cited in search report	Publication date	Patent family member(s)	Publication date
		WO 2007-038776 A3	05.04.2007
		WO 2007-130467 A2	15.11.2007
		WO 2007-130467 A3	10.07.2008
		WO 2008-039926 A2	03.04.2008
		WO 2008-039926 A3	03.04.2008
		WO 2008-124633 A2	16.10.2008
		WO 2008-124633 A3	16.10.2008