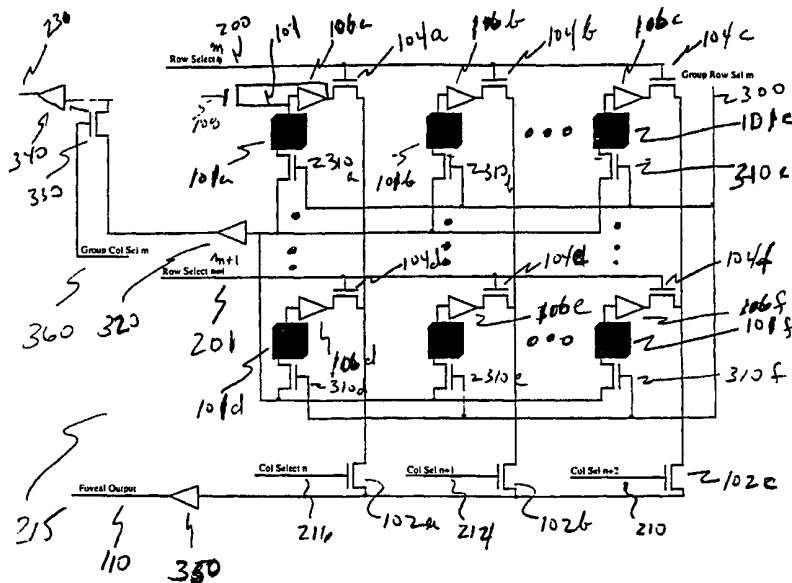




INTERNATIONAL APPLICATION PUBLISHED UNDER THE PATENT COOPERATION TREATY (PCT)

<p>(51) International Patent Classification ⁷ : H04N 5/335</p>	<p>A1</p>	<p>(11) International Publication Number: WO 00/51345 (43) International Publication Date: 31 August 2000 (31.08.00)</p>
<p>(21) International Application Number: PCT/US00/04690 (22) International Filing Date: 24 February 2000 (24.02.00) (30) Priority Data: 60/120,268 24 February 1999 (24.02.99) US Not furnished 23 February 2000 (23.02.00) US (71) Applicant: SARNOFF CORPORATION [US/US]; 201 Washington Road, Princeton, NJ 08543-5300 (US). (72) Inventors: MCCAFFREY, Nathaniel, Joseph; 412 Lambertville Hopewell Road, Hopewell, NJ 08530 (US). WIXSON, Lambert, Ernest; 38 Washington Street, Rocky Hill, NJ 08553 (US). VAN DER WAL, Gooitzen, Siemen; 105 West Prospect Street, Hopewell, NJ 08525 (US). (74) Agents: BURKE, William, J. et al.; Sarnoff Corporation, 201 Washington Road, Princeton, NJ 08543-5300 (US).</p>		<p>(81) Designated States: AE, AL, AM, AT, AU, AZ, BA, BB, BG, BR, BY, CA, CH, CN, CU, CZ, DE, DK, EE, ES, FI, GB, GD, GE, GH, GM, HR, HU, ID, IL, IN, IS, JP, KE, KG, KP, LR, LS, LT, LU, LV, MD, MG, MK, MN, MW, MX, NO, NZ, PL, PT, RO, RU, SD, SE, SG, SI, SK, SL, TJ, TM, TR, TT, UA, UG, UZ, VN, YU, ZA, ZW, ARIPO patent (GH, GM, KE, LS, MW, SD, SL, SZ, TZ, UG, ZW), Eurasian patent (AM, AZ, BY, KG, KZ, MD, RU, TJ, TM), European patent (AT, BE, CH, CY, DE, DK, ES, FI, FR, GB, GR, IE, IT, LU, MC, NL, PT, SE), OAPI patent (BF, BJ, CF, CG, CI, CM, GA, GN, GW, ML, MR, NE, SN, TD, TG).</p> <p>Published <i>With international search report.</i></p>

(54) Title: METHOD AND APPARATUS FOR DUAL RESOLUTION FOVEATING DISPLAY OUTPUT



(57) Abstract

A novel method and apparatus for providing dual resolution read out from a CMOS APS imager (215) with both concurrent high-resolution and low-resolution area display outputs. The imager (215) uses dual read out paths (230, 110) to increase the frame rate of the wide field of view while simultaneously providing high-resolution images for object identification. The first imager output (230) consists of a wide field of view (WFOV) output that uses a lower resolution that may be used to determine location of objects in the field. The second imager output (110) consists of a narrow field of view (NFOV) that contains at least one sub-frame of the total image area. The second image(s) may be used to replace or overwrite segments of the WFOV image. Thus, the dual-resolution imager (215) can provide concurrent high-resolution imager tracking while maintaining a low-resolution wide area image.

FOR THE PURPOSES OF INFORMATION ONLY

Codes used to identify States party to the PCT on the front pages of pamphlets publishing international applications under the PCT.

AL	Albania	ES	Spain	LS	Lesotho	SI	Slovenia
AM	Armenia	FI	Finland	LT	Lithuania	SK	Slovakia
AT	Austria	FR	France	LU	Luxembourg	SN	Senegal
AU	Australia	GA	Gabon	LV	Latvia	SZ	Swaziland
AZ	Azerbaijan	GB	United Kingdom	MC	Monaco	TD	Chad
BA	Bosnia and Herzegovina	GE	Georgia	MD	Republic of Moldova	TG	Togo
BB	Barbados	GH	Ghana	MG	Madagascar	TJ	Tajikistan
BE	Belgium	GN	Guinea	MK	The former Yugoslav Republic of Macedonia	TM	Turkmenistan
BF	Burkina Faso	GR	Greece			TR	Turkey
BG	Bulgaria	HU	Hungary	ML	Mali	TT	Trinidad and Tobago
BJ	Benin	IE	Ireland	MN	Mongolia	UA	Ukraine
BR	Brazil	IL	Israel	MR	Mauritania	UG	Uganda
BY	Belarus	IS	Iceland	MW	Malawi	US	United States of America
CA	Canada	IT	Italy	MX	Mexico	UZ	Uzbekistan
CF	Central African Republic	JP	Japan	NE	Niger	VN	Viet Nam
CG	Congo	KE	Kenya	NL	Netherlands	YU	Yugoslavia
CH	Switzerland	KG	Kyrgyzstan	NO	Norway	ZW	Zimbabwe
CI	Côte d'Ivoire	KP	Democratic People's Republic of Korea	NZ	New Zealand		
CM	Cameroon	KR	Republic of Korea	PL	Poland		
CN	China	KZ	Kazakstan	PT	Portugal		
CU	Cuba	LC	Saint Lucia	RO	Romania		
CZ	Czech Republic	LI	Liechtenstein	RU	Russian Federation		
DE	Germany	LK	Sri Lanka	SD	Suđan		
DK	Denmark	LR	Liberia	SE	Sweden		
EE	Estonia			SG	Singapore		

**METHOD AND APPARATUS
FOR DUAL RESOLUTION FOVEATING
DISPLAY OUTPUT**

CROSS REFERENCE TO RELATED APPLICATIONS

This application relates to Provisional Application Serial Number 60/120,268, entitled, "CMOS APS FOVEATING ARRAY WITH RANDOM X-Y FOVEAL AREA" filed on February 24, 1999, which is assigned to the same assignee and is incorporated by reference
5 herein. Applicant claims the benefit of the priority filing date of February 24, 1999 pursuant to 35 U.S.C. § 119(e)(1).

FIELD OF THE INVENTION

The present invention is related to the field of solid state imagers. More specifically, the
10 present invention is related to providing concurrent dual resolution outputs of imaging devices.

BACKGROUND OF THE INVENTION

Traditionally, an Active Pixel Sensor (APS) imager is formed by arranging photoelectric or photosensitive, solid state devices in a rectangular or square array. Each photoelectric solid
15 state device, termed a "pixel," converts photonic energy into an electrical charge and outputs the electric charge when the pixel is selected. Imager arrays of 512 x 512, 1024 x 1024 and 2048 x 2048 pixels are well known in the art.

Typically, an image is created by serially reading out the electric charge of each pixel cell in the imager array by selecting a row and then sequentially reading the electrical charge of each pixel cell in the selected row. After the last pixel cell in the selected row is read, a next row is selected and the pixel cell read out process repeats, row by row, until each pixel cell has been read. In one method of sequentially reading the image array rows, entitled "progressive" scanning, after each row is completely scanned, the pixel cells in the next adjacent row are read or scanned. Thus, the array rows are scanned in sequential order, *i.e.*, row 1, 2, 3 through M. In another scanning method, entitled "interlaced" scanning, after a selected row is scanned, the scan proceeds to a next non-contiguous row. In one example of interlaced scanning, alternate rows are scanned in the order 1, 3, 5, through M-1 and then 2, 4, 6, through M, where M is an even number of rows.

To track small targets with good resolution over the imaging area, a high-resolution imager containing a large number of pixel cells is necessary. For imager arrays of the same overall dimension, the number of pixel cells contained in the imager array determines the resolution of the imager. For example, an array of 2048 x 2048 pixels has a resolution sixteen times greater than an array of 512 x 512. High-resolution imagery is typically desired to obtain a clear and sharp image. As the number of pixel cells increases however, the time necessary to read the entire image significantly increases. This time to read the image, known as the image Frame time, is determined by the pixel read out speed and the total number of pixels in the imager array. As the pixel read out speed is typically fixed by the hardware used, the Frame time is determined by the number of pixel cells that must be read. Accordingly, as the resolution increases, the Frame time also increases. Increased Frame time causes moving images to appear to change in a sporadic and irregular manner. For example, objects moving faster than the Frame

time may appear to jump from one position to another rather than smoothly transitioning between these positions. Hence, there is a need to provide a high-resolution imager with a Frame time of a short enough duration to capture transitions smoothly while maintaining an acceptable image quality field of view.

5

SUMMARY OF THE INVENTION

A method and apparatus for providing dual-resolution read out from a solid state CMOS Active Pixel Sensor (APS) imager is presented. The present invention provides for a first output that generates a low resolution, wide field of view (WFOV) image, and a second output that
10 generates a higher resolution, narrow field of view (NFOV) image. The high-resolution output is generated using the outputs of individual pixel cells in the image array, while the low-resolution output is generated by combining a plurality of pixel cells into a single output. Using a WFOV and an NFOV image read out processor, an entire image may be quickly scanned and displayed using a low resolution image, while at least one designated area of the imager array
15 may be displayed using a high resolution image

In one embodiment of the invention, the high-resolution output may overwrite or replace a low-resolution image. In a second embodiment of the invention, the high-resolution image may be directed to a second device to display high-resolution images independently of a lower resolution image.

20

BRIEF DESCRIPTION OF THE DRAWINGS

The advantages, nature and various additional features of the invention will appear more fully upon consideration of the illustrative embodiments to be described in detail in connection with the accompanying drawings. In the drawings:

Figure 1 illustrates a prior art pixel cell and associated control logic used in APS pixel
5 arrays;

Figure 2 illustrates a block diagram implementation of a dual-resolution foveating array in accordance with the principles of the invention;

Figure 3a illustrates an exemplary embodiment of dual-resolution circuitry according to the principles of the invention;

10 Figure 3b illustrates a second exemplary embodiment of the dual-resolution circuitry according to the principles of the invention;

Figure 4 illustrates an exemplary embodiment of the dual-resolution circuit logic in a foveating array in accordance with the principles of the invention;

Figure 5a depicts a scene to be digitally captured;

15 Figure 5b depicts a low-resolution digital image of the scene illustrated in Figure 5a;

Figure 5c illustrates an exemplary high-resolution region within the low-resolution image illustrated in Figure 5b;

Figure 5d illustrates a high-resolution image of the high-resolution region of the scene illustrated in Figure 5a;

20 Figure 5e illustrates a foveating image created in accordance with an exemplary operation of the dual-resolution array in accordance with the principles of the invention; and

Figure 6 illustrates an exemplary system using the dual-resolution foveating array in accordance with the principles of the invention.

DETAILED DESCRIPTION OF THE INVENTION

A CMOS APS imager includes a pixel area and a read out/processing logic. The pixel
5 area consists of a photosensitive area for photoelectron generation in a matrix configuration,
addressing circuitry and amplification circuits that operate to address and access individual pixel
cells. The read out and processing area provides for signal conditioning of input and output data.
Figure 1 illustrates a typical CMOS APS pixel cell and associated processing circuitry and logic.
As illustrated, solid state photoelectric device **100** is used to collect photonic energy over a
10 designated time period and convert the collected energy into an electrical charge. The electrical
charge is then amplified by amplifier circuit **106**, and by the appropriate selection of Row Select
Switch **104** and Column Select Switch **102**, the amplified electrical charge is transferred to video
output line **110**. After the read out of photocell **100** occurs, reset switch **108** is activated to return
the pixel cell charge to a nominal value. This reset prevents electrical charge collected before
15 the read out from influencing electrical charge collected during the next period of photon
collection.

Figure 2 illustrates a typical row and column arrangement of pixel cells **100** and
corresponding logic circuitry used to sequentially read out the electrical data from the pixel cells
100. In this embodiment, a plurality of pixel cells **100** are arranged in an M x N array of twelve
20 pixel cells **100** per row in eight rows --i.e., 12 x 8 imager array. For clarity only a sample of the
pixel cells **100** within the imager array are specifically labeled. Thus, pixel cells **240**, **241**, **242**
and **243** represent a limited number of individual pixel cells **100** that are included in a first row
of twelve pixel cells. Similarly, pixel cells **250**, **251**, **252** and **253** represent a limited number of

individual pixel cells **100** that are included in a second row of twelve pixel cells. Using a matrix format, an imager array of any size can thus be created by increasing the number of rows and columns. Further, Row Select Lines **200**, **202**, **204** and **206** actually extend to address each of the pixel cells in rows 1, 2, 3 and 4 respectively and have been limited in Figure 2 to addressing
5 the middle set of pixel cells only to provide clarity to the illustration.

The electrical charges collected in the first row of pixel cells, of which pixel cells **240**, **241**, **242** and **243** are illustrative examples, may be serially read out on output line **110** by selecting Row Select Line **200** and selecting each individual Column Line **216**, **214**, **212** and **210** used to address pixel cells **240**, **241**, **242** and **243**. In one scheme, column lines **216**, **214**, **212**
10 and **210** are selected in sequential order. At the completion of reading the twelve pixel cells in this illustrated first row, the processing continues to serially collect electrical charges in the next row (row 2) by selecting Row Select Line **202** and selecting the individual column lines **216**, **214**, **212** and **210**. The electrical charges collected at the pixel cells of the second row, of which pixel cells **250**, **251**, **252** and **253** are illustrative examples, may then be read out, sequentially for
15 example, on output line **110**. This pixel cell read out process continues, row by row, until the last row has been reached. At the conclusion of the pixel cell read out each pixel cell is reset. This reset may occur after an individual pixel cell is read, after a row of pixel cells have been read or after the entire array imager has been read. The timing of the reset is dependent on the specific implementation.

20 Figure 2 further illustrates an exemplary grouping of individual pixel cells in a $P \times Q$ array **215**, in accordance with the principle of the invention. In this illustrative embodiment array **215** is composed of sixteen pixel cells **100** arranged as a 4 x 4 array. In this configuration the array **215** is deemed a single entity with a single output **230**, which is formed as a composite

of the outputs of the pixel cells within the array (in this case, sixteen pixel cells). Array **215** can be composed of any number of pixel cells **100** that may be addressed as a single entity.

In accordance with the principle of the invention, output of array **215** is selected by activating Group Select line **220**, which causes an output to be generated, concurrently, from
5 each pixel cell in the array. The concurrently generated outputs are then merged together to form a single composite output **230**. Similar groups of $P \times Q$ arrays having similar merged outputs may be created throughout the entire imager array. These $P \times Q$ arrays may then be superimposed upon the individual addressing lines, represented by Row Select Lines **200**, **202**,
204, and **206** and Column Select Lines **216**, **214**, **212** and **210**. In this overlapping of addressing
10 lines, outputs of the individual pixel cells, **240-243**, **250-253**, **260-263** and **270-273** and the composite output **230** may thus be obtained. These outputs may be obtained substantially concurrently or sequentially.

Figure 3a illustrates one exemplary embodiment of logic circuitry used to achieve pixel cell dual read out in accordance with the principles of the invention. As illustrated a dual output
15 pixel **101** has a first output that is connected to corresponding amplifiers **106** and row and column switches **104** and **102**, respectively, and second output that is grouped together to form a single composite output through amplifier **320**.

As illustrated in this exemplary embodiment, six dual output pixel cells **101** are arranged in a 2×3 array wherein the two rows are labeled row m and row $m+1$, respectively, and the three
20 columns are labeled n , $n+1$ and $n+2$, respectively. It should be understood that it is not intended to limit the array size to that illustrated. The number of pixel cells **101** in each row and in each column may be expanded to include any number of pixel cells. Hence $P \times Q$ arrays of any

rectangular or square arrangement can be created in accordance with the principle of the invention.

In this illustrated configuration, a pixel cell output may be transmitted to output line **110** by activating, or closing the appropriate row and column switches. The output of pixel cell **101a** is directed to output line **110** by selecting Row Select line **200** and Column Select line **216**. The selection of Row Select Line **200** causes switches **104a** through **104c** to close, and the selection of Column Select line **216** causes switch **102a** to close. Similarly, the output of pixel cell **101c** is directed to Output line **110** by selecting Row Select line **200** and Column Select line **210**. The selection of Column Select line **210** causes switch **102c** to close. In this manner of addressing, each pixel cell within Row *n* may be read out on output line **110** by selecting line **210** and by selecting, in a sequential order, each Column Select line in the dual resolution imager (Column Select lines **216**, **214** and **210**).

Further, in accordance with the principle of the invention, the composite output of array **215** can be output to Group output **230** by selecting Group Row Select **300** and Group Column Select **360**. The selection of Group Row Select **300** and Group Column Select **360** may be performed concurrently, or sequentially, with the selection of Row Select lines and Column Select lines. In either concurrent or sequential mode, selecting Group Row Select **300** causes switches **310a** through **310f** to close, and the second outputs of the corresponding pixel cells (**101a** through **101f**) are combined in amplifier **320**. When Group Column Select **360** is selected, switch **330** closes and the combined output is made available as Group Output line **400** through amplifier **340**.

In the illustrated embodiment, amplifier **320** is a summing amplifier that sums the values on the corresponding input lines. In another embodiment, the output of amplifier **320** may be an

average of the values on the corresponding input lines. In still another embodiment, as illustrated in Figure 3b, each second output of a dual output pixel cell can be directed to an amplifier that adjusts the pixel cell output value by a pre-determined amount. Illustrated in Figure 3b are amplifiers **380a** through **380f** that adjust a corresponding pixel cell second output.

5 When the gains of amplifiers **380a** through **380f** are set substantially equal, the pixel cell outputs provided to summing amplifier **320** correspond to the level of energy collected in the cells. In another embodiment, each pixel cell second output may be adjusted based on an amplifier gain value that is determined from the position of the pixel cell within the $P \times Q$ array. In this embodiment, pixel cells closer to the center of the $P \times Q$ array have a greater weight than pixel
10 cells toward the edges of the array. For example, the amplifier gains may be Gaussian distributed based on the position of the pixel cell in the array.

Figure 4 illustrates one exemplary embodiment of an imager array architecture in accordance with the principle of the invention. Illustrated is a 6 x 4-pixel imager array that is divided into four pixel cell groups using a 3 x 2 pixel cell group, similar to pixel cell group **215**
15 of Figure 3a. As should be understood, the illustrated array is merely representative of an imager in accordance with the principles of the invention and that array imagers may be constructed of any number of rows and columns of pixel cells.

In the illustrated embodiment, individual dual output pixel cells **101a** through **101f** constitute a first pixel group that is addressable by selecting Group Row Select line **300** and
20 Group Column Select line **360**. The selection of Group Row Select **300** and Group Column Select **360** cause switches **301** and **330** to close and output **230** is thus made available on Group Output **400**. Similarly, pixel cells **101g** through **101l** constitute a second pixel group that is addressable by selecting Group Row Select line **300** and Group Column Select line **361**. The

selection of Group Row Select line **300** and Group Column Select line **361** cause switches **301** and **331**, respectively, to close and output **233** is made available on Group Output **400**. The two remaining pixel groups, similarly, are addressed by Group Row Select **221** and Group Column Select **360** and **361**, respectively. These two groups generate outputs **232** and **231**, respectively, which are made available on Group Output **400**. Thus, by reading the plurality of pixel cell groups contained within the pixel array an image may be created that is of lower resolution than the capability of the imager array.

According to the principles of the invention, a dual-output pixel cell is used as a basic pixel cell in the imager array. A high-resolution image of a selected region may then be obtained by reading one output of each pixel cell in the selected region, while a low resolution image may be obtained by reading the combined outputs of each pixel cell groups. Thus, in Figure 4, a high resolution output can be achieved in a region containing only pixel cells **101a-101f** and **101m-101r** by reading the outputs of these individual cells while a low-resolution image can be concurrently obtained by reading the composite outputs of these same pixel cells. In this embodiment illustrated, the high-resolution image has a resolution approximately six times better than the corresponding low-resolution image.

Also illustrated in Figure 4 is Group Reset line **410** that may be used to reset each pixel cell within at least one pixel group. The single Group Reset line **410** resets all the pixel cells in the entire 6 x 4-imager array. However, it should be understood that in another embodiment, a plurality of Group Reset lines, one for each pixel cell group may also be included. When a plurality of Group Reset lines are used, a pixel cell group may be reset after a pixel cell group is read out rather than waiting for the entire image to be read. For the same reasons as previously discussed, only a single Reset line **108** has been included in the embodiment illustrated in Figure

4. It would be understood that means for resetting individual pixel cells, such as **101a**, and **101b** are typically included in imager arrays and the invention may use a single pixel reset switch or a plurality of such switches to reset individual pixels after a high resolution output read is performed.

5 Figure 5a represents an exemplary image **500** that is desired for display. As discussed, each pixel cell in the imager array captures a portion of the image **500** and each pixel must be read out. Using a high resolution output, the time to read every pixel cell may become excessively long and the image may appear to move in an irregular manner. Thus, a lower resolution image with a shorter Frame time may produce adequate results. Figure 5b illustrates a
10 digital representation of the image **500** using the low-resolution output. The low-resolution output is obtained by processing the composite output of a plurality of pixel cell groups. The low-resolution image is advantageous as the Frame time is held to a minimal value. However, the image does not display the clarity that is desired.

 Figure 5c illustrates a selected region **530** where a high-resolution image is desired. In
15 region **530**, a high-resolution output is obtained by reading the output of each individual pixel cell. The selection of region **530** may be based on object recognition algorithms, user selection and intervention, or motion analysis algorithms. For example, a user may use a mouse or joystick or keyboard inputs to outline at least one desired area of high-resolution display. In the embodiment of a user interface, a joystick is the preferred mode.

20 Figure 5d illustrates the high-resolution image **540** obtained by reading the first output of each pixel cell within region **530**. Image **540** utilizes the high-resolution capability of the imager array while using only a portion of the time that is required to read the entire image in high-resolution mode. In one embodiment Figures 5b and 5d may be displayed as two disjoint images

on the same imaging devices. They can also be displayed on different imaging devices. In this embodiment, high-resolution details of a selected region of the image may be viewed while the low-resolution image **510**, as illustrated in Figure 5b, remains available to a user for viewing. Accordingly, each pixel cell group in the array is read to obtain a complete low-resolution image.

5 In another embodiment, the image **540** of Figure 5d may be merged with the image of Figure 5b. As illustrated in Figure 5e, the background image **510** remains in low-resolution mode while the high-resolution image **540** is concurrently displayed in high-resolution mode. Thus, a foveated image **550** is created. This foveated image **550** is advantageous as only those regions that are of interest are displayed with high resolution while the Frame time is not
10 substantially increased over the time to create the entire low-resolution image **510**. As the low-resolution image **510** and high-resolution image **540** may be created concurrently, the time to create the foveated image **550** is not substantially increased over the time to create the low-resolution image **510**.

In still another embodiment, when foveated image **550** is desired, those pixel cell groups
15 within the selected regions of high-resolution imagery need not be read. In this embodiment, the scanning logic can prevent the low-resolution pixel groups from being read, as it is known that this data will be overwritten. In this mode, the time to read the imager array is reduced as the number of pixel groups read is reduced by the size of the selected foveating regions. For example, in a 2048 x 2048 CMOS APS imager having arrays composed of 4 x 4 dual output
20 pixel cells, a high-resolution image would be a full 2048 x 2048 pixels and a low-resolution image would be reduced to 512 x 512. The high-resolution image has a frame rate that is sixteen times lower than the low-resolution image when equal output clocking frequencies are used. Selecting, for example, a high-resolution image area of 400 x 400 pixels, the low-resolution

image would be reduced to 412 x 412 $((2048 - 400)/4)$. Thus, the number of pixel group outputs is reduced from 512 to 412.

Figure 6 illustrates a system incorporating the dual-resolution imager of the present invention. An imaging device, in this example, a camera **600**, outputs a WFOV image **602** and a
5 NFOV image **604** to processor **610**. Processor **610** then may output the two images to separate displays **620**, **630** or combine the images into a composite image that is displayable on a single display **640**. Processor **610** also provides inputs **608** to imager **600** to define the number and size of the NFOV images.

The examples given herein are presented to enable those skilled in the art to more clearly
10 understand and practice the instant invention. The examples should not be considered as limitations upon the scope of the invention, but as merely being illustrative and representative of the use of the invention. Numerous modifications and alternative embodiments of the invention will be apparent to those skilled in the art in view of the foregoing description. Accordingly, this description is to be construed as illustrative only and is for the purpose of teaching those skilled
15 in the art the best mode of carrying out the invention and is not intended to illustrate all possible forms thereof. It is also understood that the words used are words of description, rather than limitation, and that details of the structure may be varied substantially without departing from the spirit of the invention and the exclusive use of all modifications which come within the scope of the appended claims is reserved.

WHAT IS CLAIMED

1. A method for producing a dual resolution readout in an imaging device containing a plurality of photo-sensitive electrical devices arranged in a matrix, each photo-sensitive electrical device having a first output and a second output comprising the steps of:

dividing said plurality of photo-sensitive electrical devices into at least one first
5 group of photosensitive electrical devices

generating a corresponding first signal for each of said at least one first group;
selecting at least one second group of said plurality of photo-sensitive electrical devices,
each of said photo-sensitive electrical devices within said at least one second group
generating a corresponding second signal; and

10 displaying said first group signals and said second signals

2. The method as recited in claim 1 wherein said at least one second group is randomly positioned with respect to said at least one first group.
3. The method as recited in claim 2, wherein said at least one second group is designated by from the group of object recognition algorithms, user interactive inputs and motion analysis.
4. The method as recited in claim 1 wherein said at least one first group signal is generated at a first rate and said corresponding second outputs are scanned at a second rate.

5. The method as recited in claim 1 wherein said first signal is generated by the weighted accumulation of said photosensitive electrical device first outputs.
6. An dual resolution imager comprising
 - A plurality of photo-sensitive electrical devices each having a first output and a second output;
 - processing circuits responsive to said first outputs;
 - 5 processing circuits responsive to said second outputs, wherein said first outputs produce a high-resolution image and said second outputs produce a lower resolution image.
7. The imager as recited in claim 6 wherein said second output processing circuit further comprises an addressing scheme to concurrently address a plurality of photo-sensitive electrical devices.
8. The imager as recited in claim 7 wherein said second output processing circuit further comprises a plurality of amplifiers, one of said amplifiers connected to each of said addressable plurality of photo-sensitive electrical devices second outputs.
9. The imager as recited in claim 6 further comprising a weighting amplifier connected between each of said photo-sensitive electrical device second output and said corresponding amplifier.

10. A system to display images using a dual-resolution format comprised of;

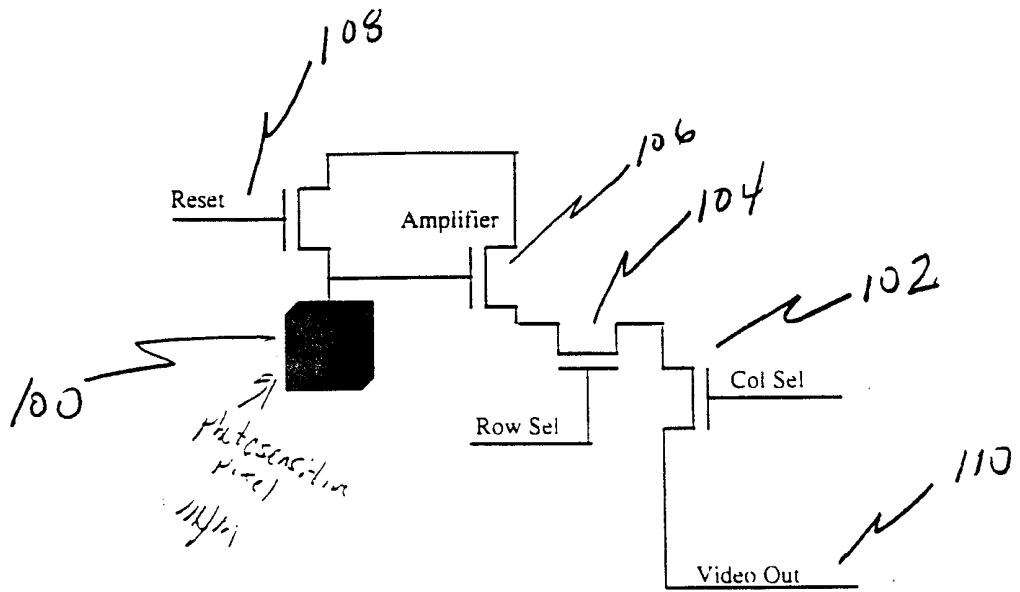
a dual-resolution imager array having a plurality of photosensitive electrical devices each having a first output and a second output

processing circuits for scanning a plurality of first regions at a first rate each of
5 said first regions having a plurality of said photosensitive electrical devices, each of said first regions generating a first region output;

processing circuits for selecting at least one second region,

processing circuits for scanning said at least one second region at a second rate,
said second region generating a plurality of second region outputs, one said second region
10 output for each photo-sensitive electrical device in said at least one second region;

processing circuits to display said first region outputs and second region outputs.



PROOR ART

Figure 1:

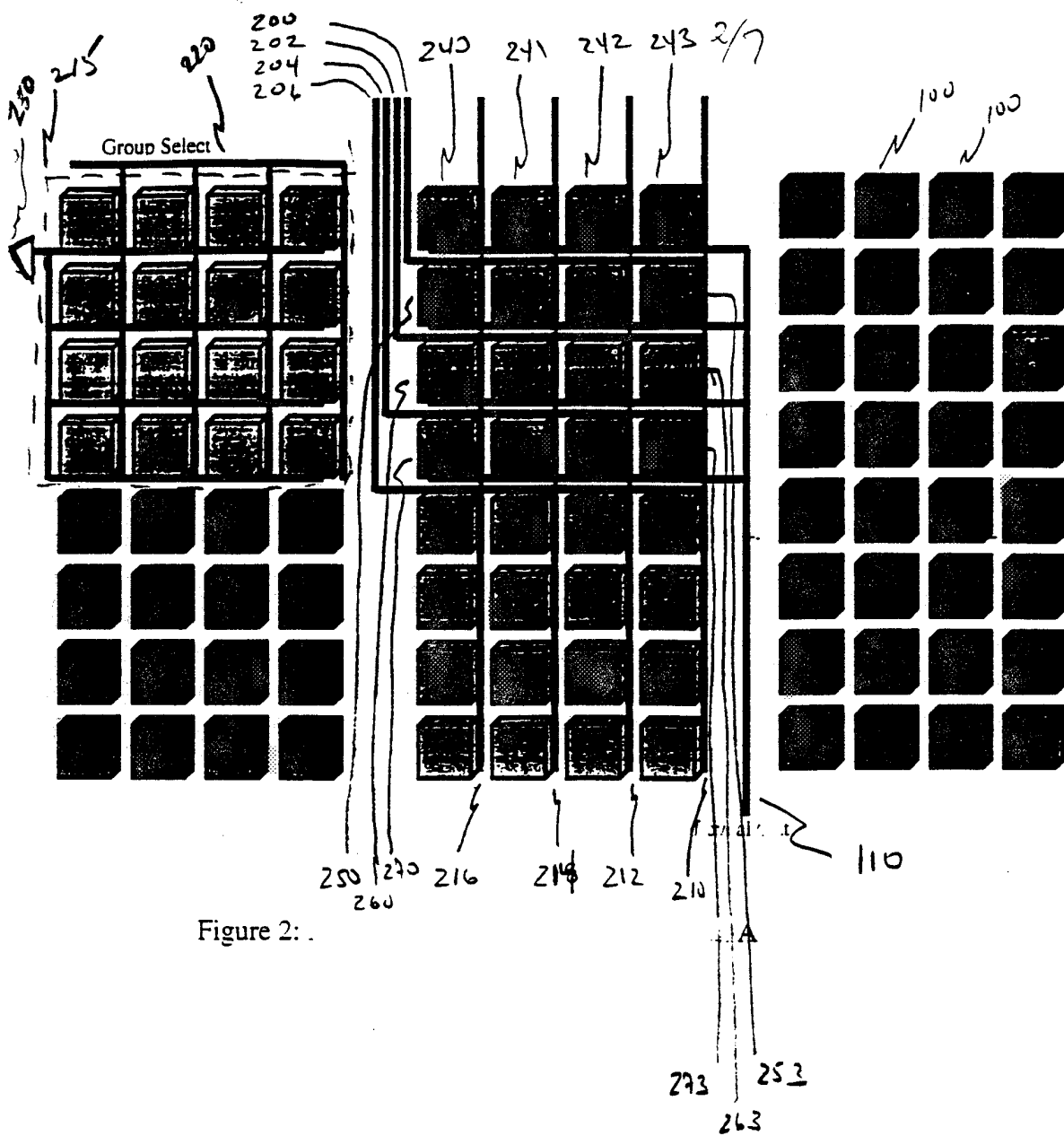


Figure 2:

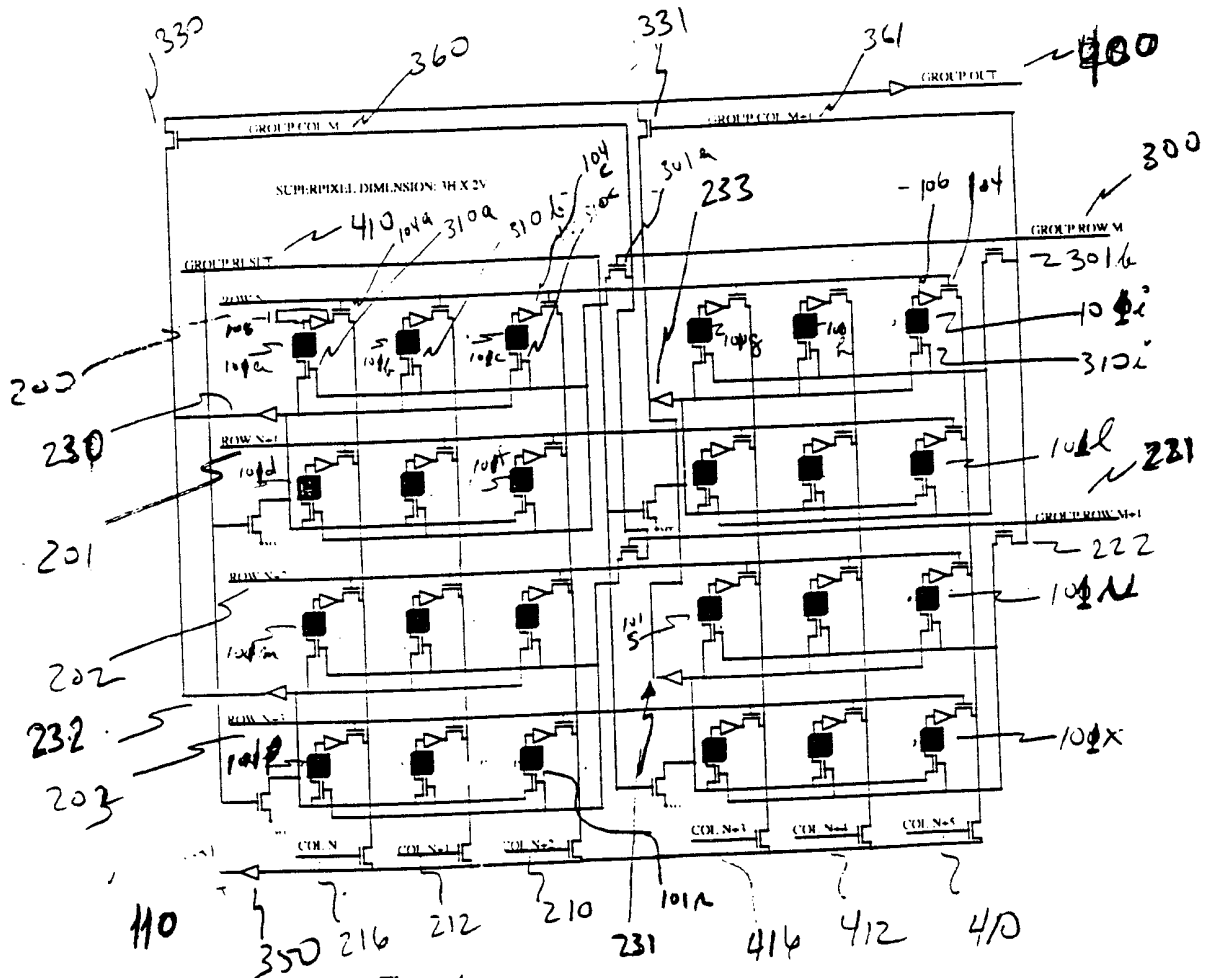
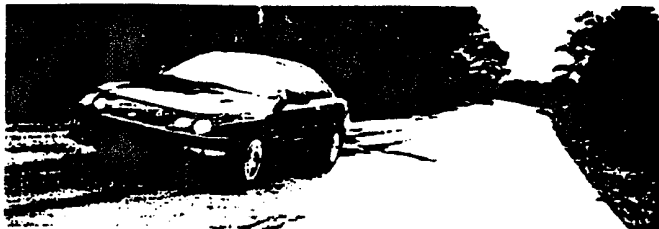


Figure 4:



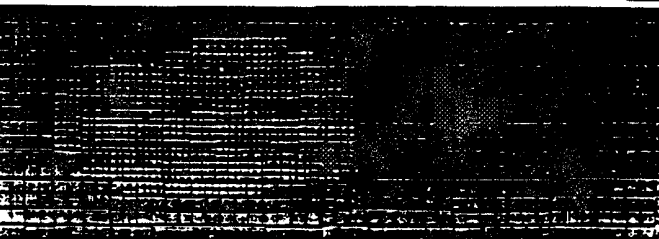
500
 FIGURE 5A

A



510
 FIGURE 5B

B



520
 FIGURE 5C

C

A: Optical Scene
 B: WFOV Output
 C: Image Processing Template
 D: NFOV(Foveating) Output
 E: Composite Video Output



530
 FIGURE 5D

D



540
 FIGURE 5E

E

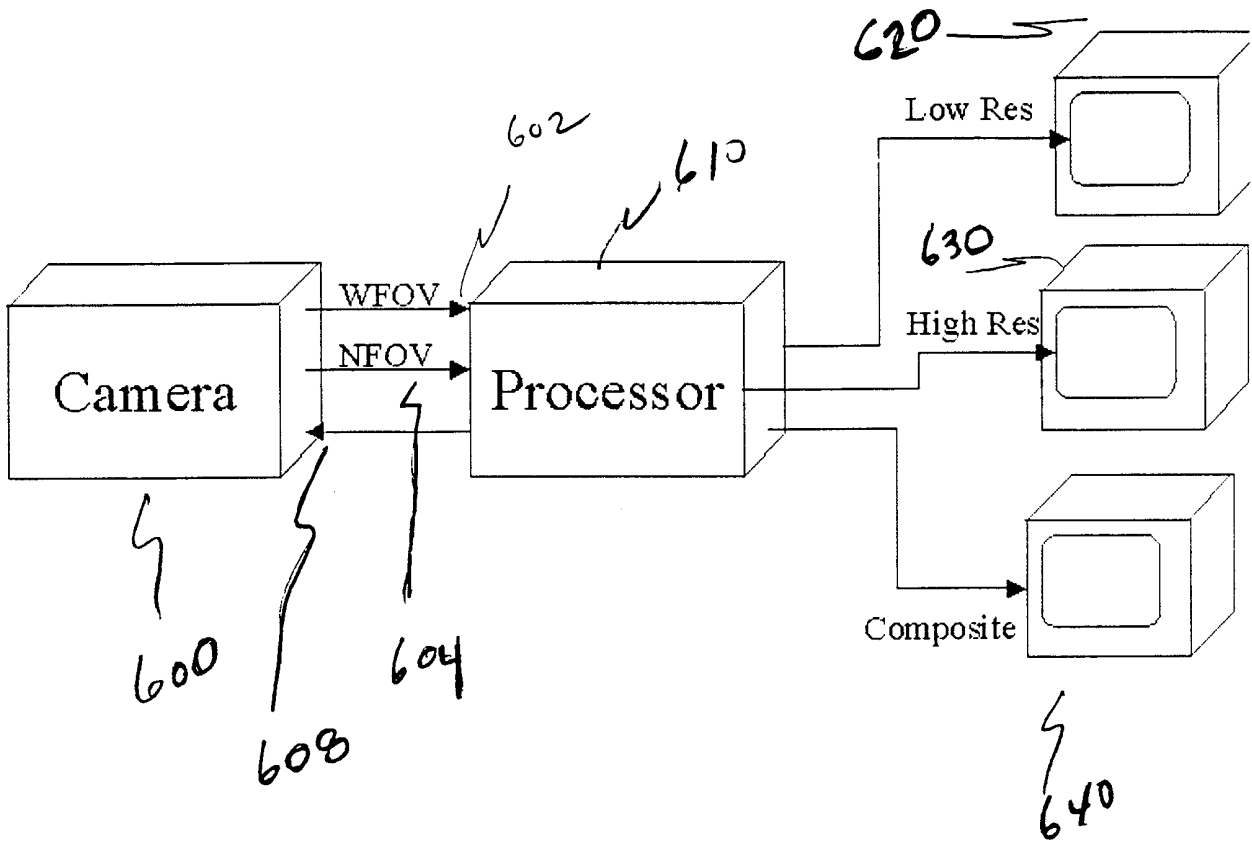


FIGURE 6

INTERNATIONAL SEARCH REPORT

International application No.

PCT/US00/04690

A. CLASSIFICATION OF SUBJECT MATTER

IPC(7) : H04N 5/335
 US CL : 348/308

According to International Patent Classification (IPC) or to both national classification and IPC

B. FIELDS SEARCHED

Minimum documentation searched (classification system followed by classification symbols)
 U.S. : 348/300,302,308

Documentation searched other than minimum documentation to the extent that such documents are included in the fields searched
 IEEE Transactions

Electronic data base consulted during the international search (name of data base and, where practicable, search terms used)
 BRS

C. DOCUMENTS CONSIDERED TO BE RELEVANT

Category *	Citation of document, with indication, where appropriate, of the relevant passages	Relevant to claim No.
X	US 4,800,288 A (INAGAKI et al) 24 January 1989 (24.01.1989), Figures 7 and 8, column 3, lines 39-46; column 5, lines 1-4; column 7, lines 48-49.	1-3,5
---		-----
Y		4, 6-10
Y	US 5,541,654 A (ROBERTS) 30 July 1996 (30.07.1996), column 10, lines 9-20.	4
X	EP 0627847 A2 (MIYAWAKI et al) 07 December 1994 (07.12.1994), Figures 17, 19, 20.	6, 7
---		-----
Y		8, 9
Y	US 5,262,871 A (WILDER et al) 16 November 1993 (16.11.1993), column 3, lines 10-27.	6-10
A	SCHANZ et al. Smart CMOS Image Sensor Arrays IEEE Transactions on Electron Devices, October 1997, Vol 44, No. 10, pages 1699-1705.	1,6,10
A	KEREMY et al. Multiresolution Image Sensor IEEE Transactions on Circuits and Systems for Video Technology A	1-4,6,10

Further documents are listed in the continuation of Box C.

See patent family annex.

* Special categories of cited documents:

"A" document defining the general state of the art which is not considered to be of particular relevance

"E" earlier application or patent published on or after the international filing date

"L" document which may throw doubts on priority claim(s) or which is cited to establish the publication date of another citation or other special reason (as specified)

"O" document referring to an oral disclosure, use, exhibition or other means

"P" document published prior to the international filing date but later than the priority date claimed

"T" later document published after the international filing date or priority date and not in conflict with the application but cited to understand the principle or theory underlying the invention

"X" document of particular relevance; the claimed invention cannot be considered novel or cannot be considered to involve an inventive step when the document is taken alone

"Y" document of particular relevance; the claimed invention cannot be considered to involve an inventive step when the document is combined with one or more other such documents, such combination being obvious to a person skilled in the art

"&" document member of the same patent family

Date of the actual completion of the international search

15 MAY 2000

Date of mailing of the international search report

12 JUN 2000

Name and mailing address of the ISA/US

Commissioner of Patents and Trademarks
 Box PCT
 Washington, D.C. 20231

Facsimile No. (703)305-3230

Authorized officer

Wendy Garber *For Regina Zogian*
 Telephone No. (703) 305-4929