



US00D588262S

(12) **United States Design Patent**
Pukall et al.

(10) **Patent No.:** **US D588,262 S**
(45) **Date of Patent:** **** Mar. 10, 2009**

(54) **MEDICAL DRAINAGE PUMP**

(75) Inventors: **Britta Pukall**, Männedorf (CH);
Therese Naef, Baden (CH); **Ivo Ramella**, Ebikon (CH); **Urs Koch**, Greppen (CH)

(73) Assignee: **Medela Holding AG**, Baar (CH)

(**) Term: **14 Years**

(21) Appl. No.: **29/268,573**

(22) Filed: **Nov. 9, 2006**

(30) **Foreign Application Priority Data**

May 9, 2006 (CH) 132757

(51) **LOC (9) Cl.** **24-02**

(52) **U.S. Cl.** **D24/111; D24/108**

(58) **Field of Classification Search** D24/108,
D24/113, 111, 129; 604/30, 33, 35, 154,
604/155; 128/DIG. 1, DIG. 2
See application file for complete search history.

(56) **References Cited**

U.S. PATENT DOCUMENTS

- D370,727 S * 6/1996 Atkinson et al. D24/111
- D439,341 S * 3/2001 Tuney et al. D24/169
- D461,891 S * 8/2002 Moberg D24/111
- D471,274 S * 3/2003 Diaz et al. D24/111
- D484,146 S * 12/2003 Urano et al. D15/7

D564,087 S * 3/2008 Yodfat et al. D24/108

* cited by examiner

Primary Examiner—Ian Simmons

Assistant Examiner—Carissa C Fitts

(74) *Attorney, Agent, or Firm*—McDonnell Boehnen Hulbert & Berghoff LLP

(57) **CLAIM**

The ornamental design for a medical drainage pump, as shown and described.

DESCRIPTION

FIG. 1 is a left front perspective view of a medical drainage pump showing our new design;

FIG. 2 is a right front perspective view of the medical drainage pump of FIG. 1;

FIG. 3 is a bottom view of the medical drainage pump of FIG. 1;

FIG. 4 is a right side view of the medical drainage pump of FIG. 1;

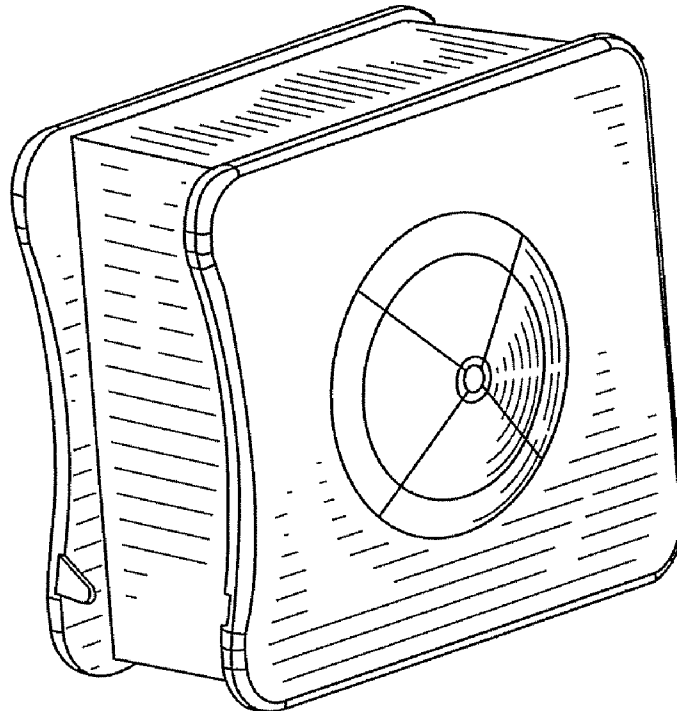
FIG. 5 is a front view of the medical drainage pump of FIG. 1;

FIG. 6 is a left side view of the medical drainage pump of FIG. 1;

FIG. 7 is a rear view of the medical drainage pump of FIG. 1; and,

FIG. 8 is a top view of medical drainage pump of FIG. 1.

1 Claim, 3 Drawing Sheets



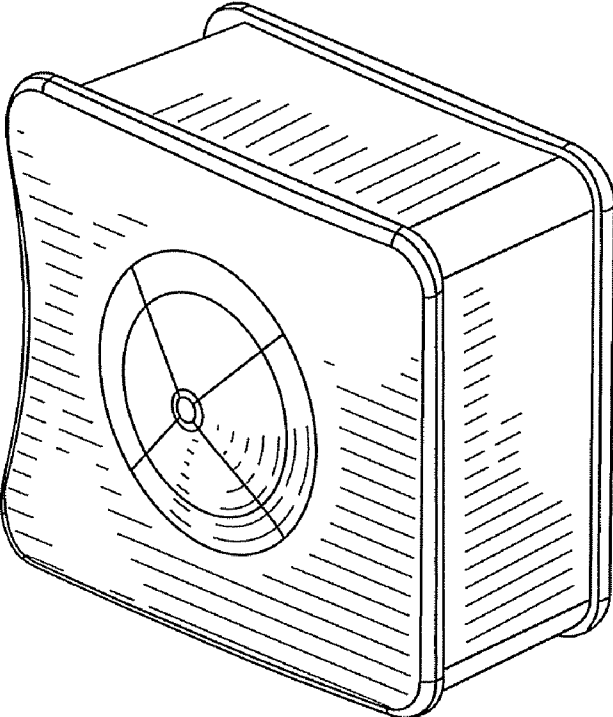


FIG. 2

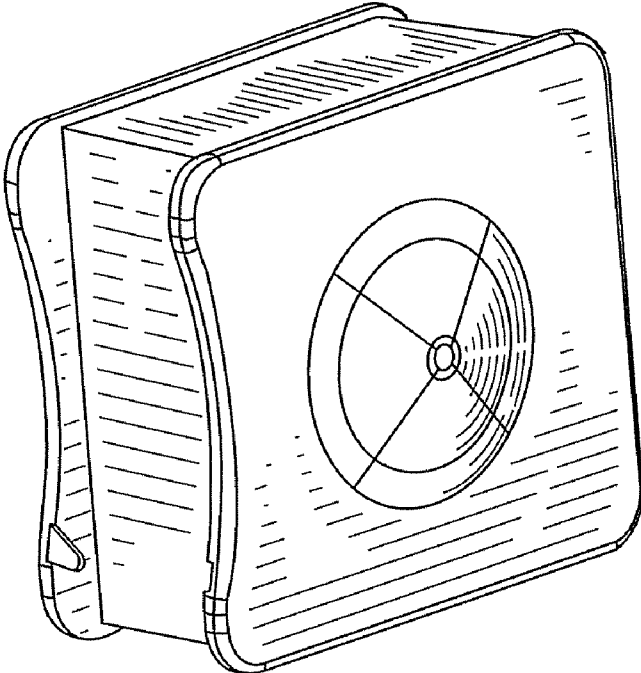


FIG. 1

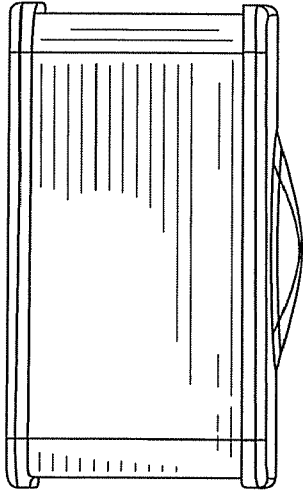


FIG. 4

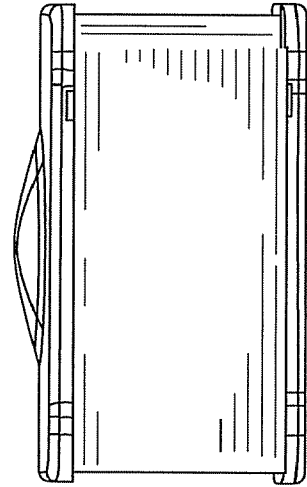


FIG. 6

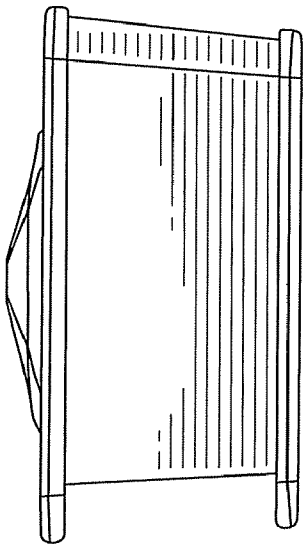


FIG. 3

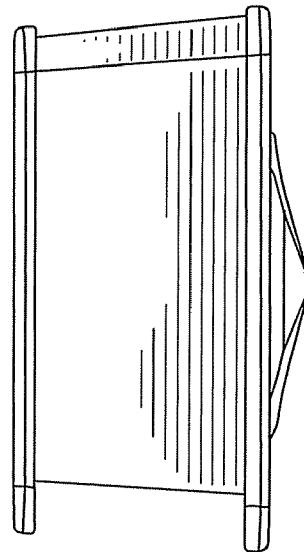


FIG. 8

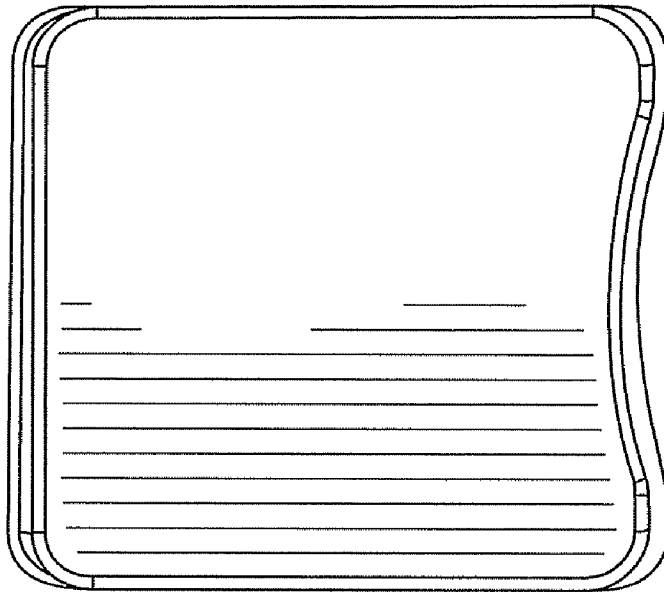


FIG. 7

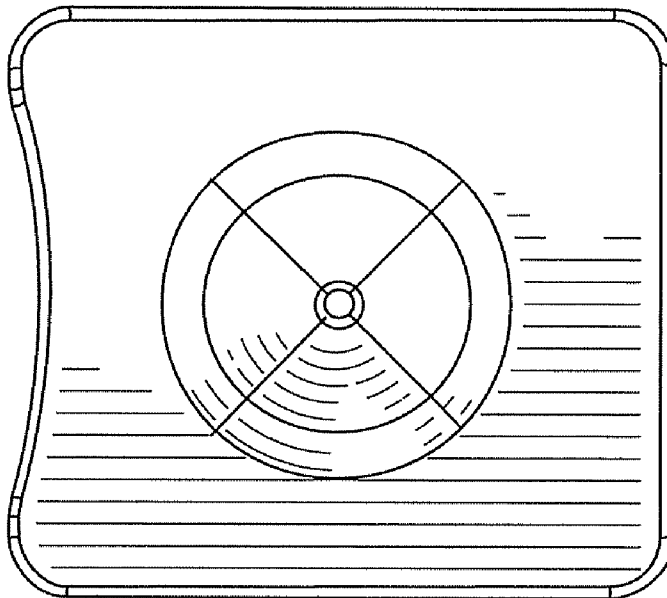


FIG. 5