



US00D767730S

(12) **United States Design Patent**
Eads

(10) **Patent No.:** **US D767,730 S**

(45) **Date of Patent:** **** Sep. 27, 2016**

(54) **FAUCET HANDLE**

(71) Applicant: **DELTA FAUCET COMPANY,**
Indianapolis, IN (US)

(72) Inventor: **Thad Eads,** North Manchester, IN (US)

(73) Assignee: **DELTA FAUCET COMPANY,**
Indianapolis, IN (US)

(**) Term: **15 Years**

(21) Appl. No.: **29/551,098**

(22) Filed: **Jan. 11, 2016**

(51) **LOC (10) Cl.** **23-01**

(52) **U.S. Cl.**
USPC **D23/252**

(58) **Field of Classification Search**
USPC D23/238, 241–243, 249–250, 252, 254
CPC E03C 1/04; E03C 1/0401; E03C 1/0402;
E03C 1/0404; F16K 31/602; F16K 31/605;
F16K 31/607

See application file for complete search history.

(56) **References Cited**

U.S. PATENT DOCUMENTS

D298,275 S * 10/1988 Hill D23/252
D517,655 S * 3/2006 Ogata D23/241

D601,227 S * 9/2009 Sieger D23/242
D625,393 S * 10/2010 Sieger D23/242
D636,063 S * 4/2011 Shieh D23/242
D760,359 S * 6/2016 Citterio D23/252

* cited by examiner

Primary Examiner — Robert Delehanty

(74) *Attorney, Agent, or Firm* — Edgar A. Zarins; Nirav D. Parikh

(57) **CLAIM**

The ornamental design for a faucet handle, as shown and described.

DESCRIPTION

FIG. 1 is a perspective view of a faucet handle showing my new design;

FIG. 2 is a top plan view thereof;

FIG. 3 is a bottom view thereof;

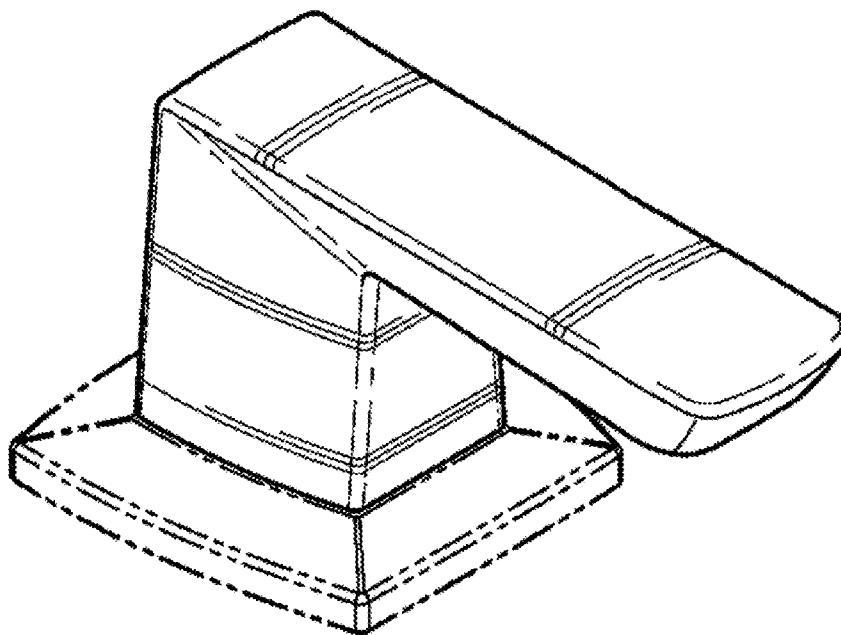
FIG. 4 is a first side view thereof, the opposite side being a mirror image of the side shown;

FIG. 5 is a first end view thereof; and,

FIG. 6 is a second end view thereof.

The broken line showing a portion of the handle forms no part of the claimed design.

1 Claim, 2 Drawing Sheets



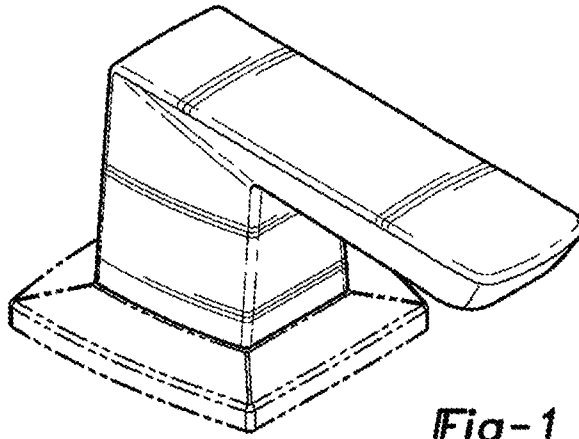


Fig-1

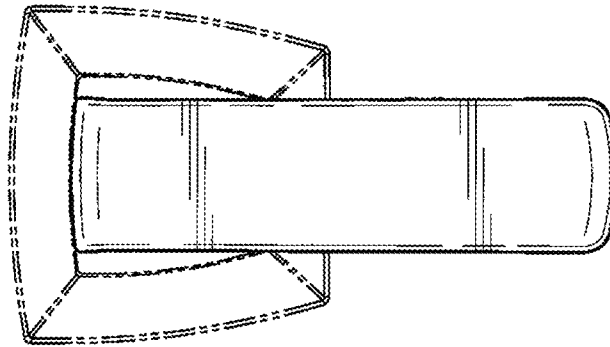


Fig-2

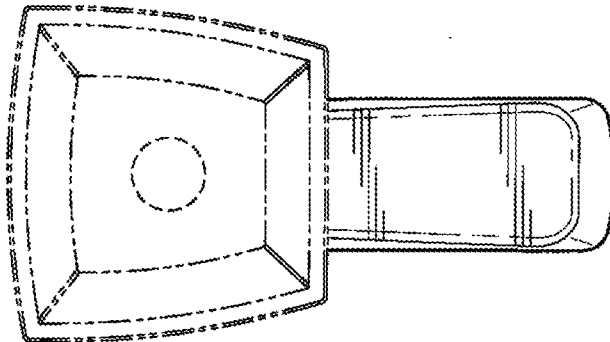


Fig-3

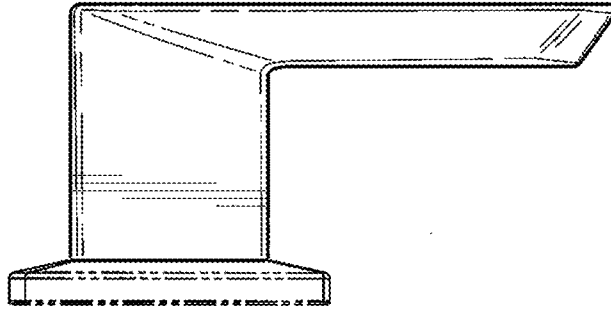


Fig-4

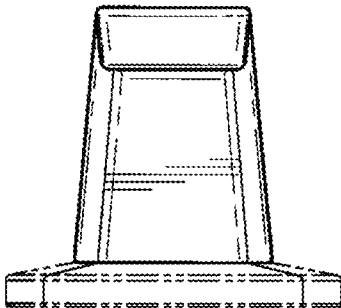


Fig-5

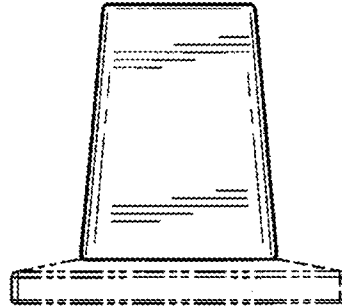


Fig-6