



US00D569476S

(12) **United States Design Patent**
Munlin

(10) **Patent No.:** **US D569,476 S**

(45) **Date of Patent:** **** May 20, 2008**

(54) **FUEL DISPENSER CONTAINER**

(76) Inventor: **Cody Munlin**, 5222 Caraway Lake Dr.,
Baytown, TX (US) 77521

(**) Term: **14 Years**

(21) Appl. No.: **29/291,123**

(22) Filed: **Aug. 15, 2007**

(51) **LOC (8) Cl.** **23-01**

(52) **U.S. Cl.** **D23/211.1**

(58) **Field of Classification Search** D23/200,
D23/211, 211.1, 211.2; D9/516, 520, 522-528,
D9/531; 141/67, 382, 383; 222/155, 465.1;
239/74; 215/382, 383, 384, 385, 396, 398
See application file for complete search history.

(56) **References Cited**

U.S. PATENT DOCUMENTS

4,579,260	A	*	4/1986	Young et al.	222/465.1
D286,376	S	*	10/1986	Bianco	D23/211.2
D296,420	S	*	6/1988	Frahm et al.	D9/522
D296,668	S	*	7/1988	Stavish	D9/520
4,781,314	A	*	11/1988	Schoonover et al.	222/465.1
D325,871	S	*	5/1992	Hestehave et al.	D9/520
D333,177	S	*	2/1993	Poirier	D23/211.1
D338,158	S	*	8/1993	Poirier	D23/211.1
D365,520	S	*	12/1995	Luther	D23/211.2
D497,313	S	*	10/2004	Glover	D23/211.2
D509,559	S	*	9/2005	Chishom et al.	D23/200

D516,434 S * 3/2006 McGuire D9/527
D528,425 S * 9/2006 Van Dorin et al. D9/527

* cited by examiner

Primary Examiner—Stella M. Reid
Assistant Examiner—Shanda C. Hill
(74) *Attorney, Agent, or Firm*—William P. Ramey, III

(57) **CLAIM**

The ornamental design for a fuel dispenser container, as shown and described.

DESCRIPTION

This design patent application is related to a non-provisional application Ser. No. 11/893,206 titled Fuel Dispenser System filed concurrently with this application.

FIG. 1 is a perspective view of a fuel dispenser container showing my new design;

FIG. 2 is a back view thereof;

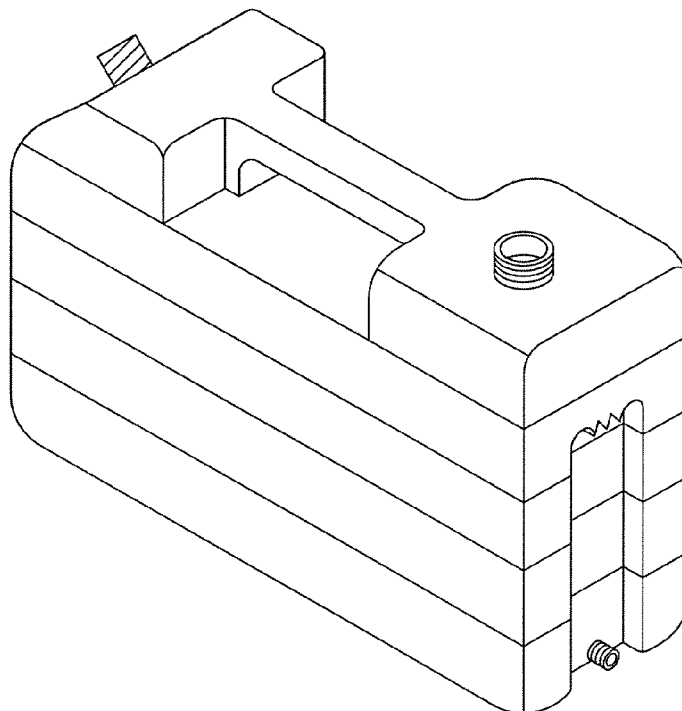
FIG. 3 is a front view thereof;

FIG. 4 is a side view thereof; and,

FIG. 5 is a perspective view of the fuel dispenser container shown in condition of use.

The broken lines shown in the drawing disclosure are for illustrative purposes only and form no part of the claimed design.

1 Claim, 3 Drawing Sheets



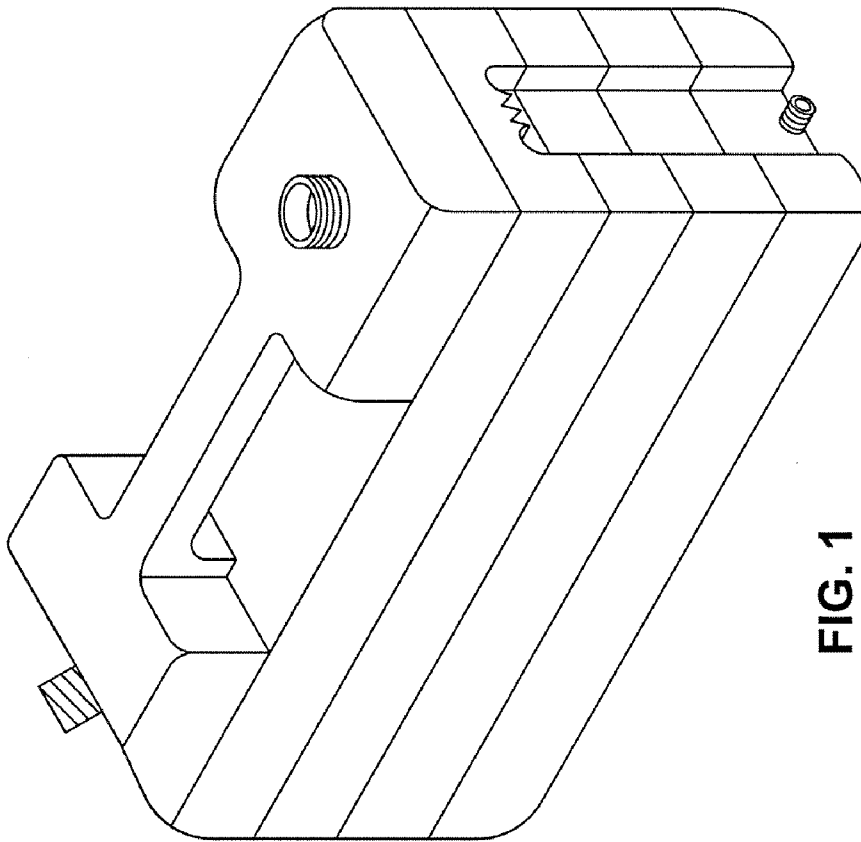


FIG. 1

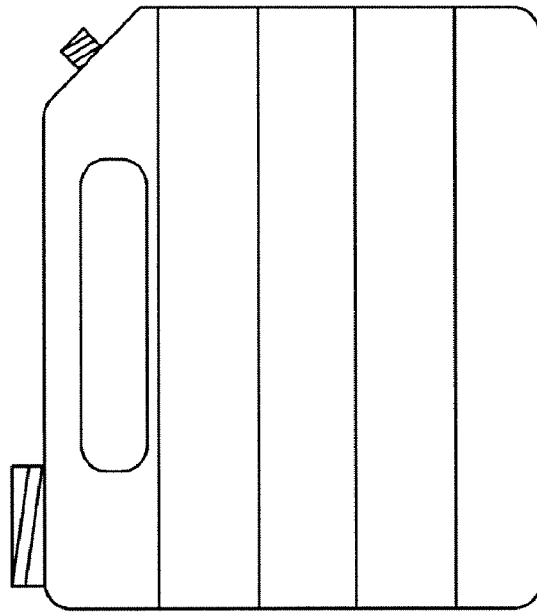


FIG. 4

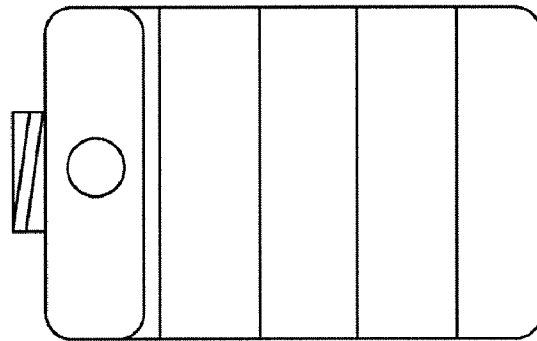


FIG. 3

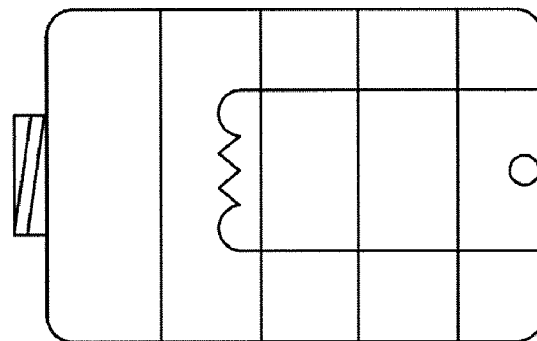


FIG. 2

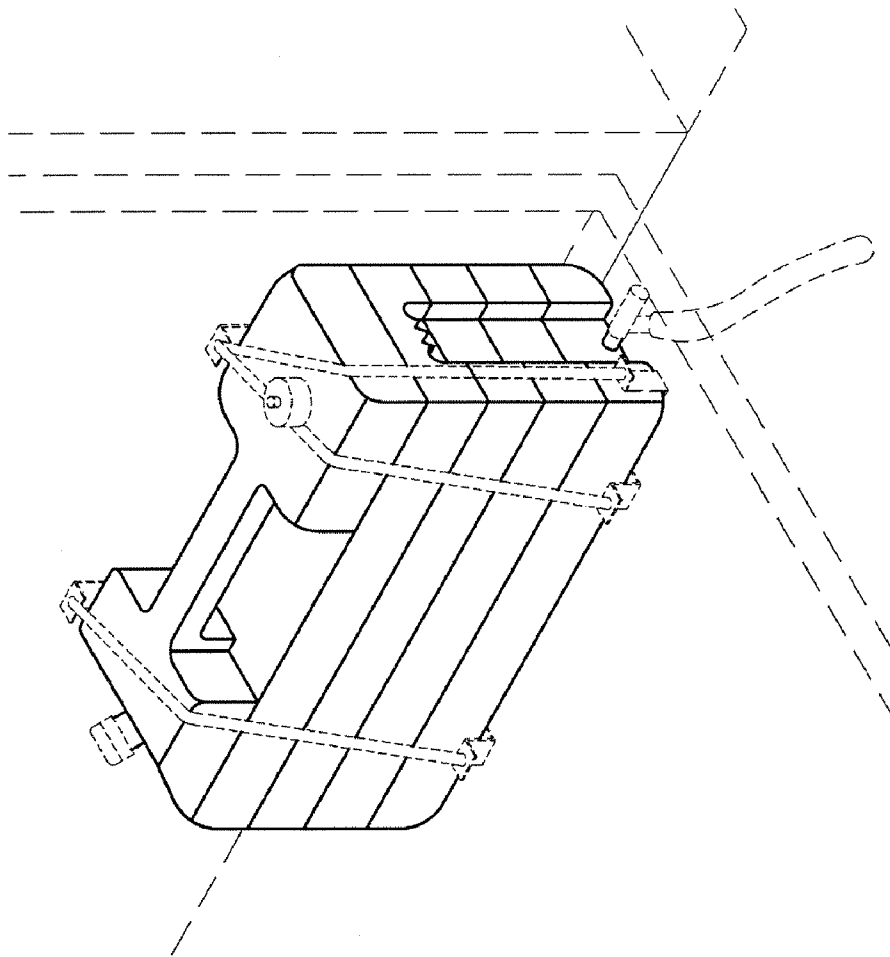


FIG. 5