



US00D993045S

(12) **United States Design Patent**
Mei

(10) **Patent No.:** **US D993,045 S**

(45) **Date of Patent:** **** Jul. 25, 2023**

(54) **POOL THERMOMETER**

D730,757 S * 6/2015 Dayan D10/58
D730,758 S * 6/2015 Dayan D10/58
D860,830 S * 9/2019 Carrière D10/57

(71) Applicant: **JiaLiang Mei**, Shenzhen (CN)

* cited by examiner

(72) Inventor: **JiaLiang Mei**, Shenzhen (CN)

Primary Examiner — Antoine Duval Davis
(74) *Attorney, Agent, or Firm* — Che-Yang Chen; Law
Office of Michael Chen

(**) Term: **15 Years**

(21) Appl. No.: **29/805,851**

(22) Filed: **Aug. 31, 2021**

(57) **CLAIM**

The ornamental design for a pool thermometer, as shown
and described.

(51) **LOC (14) Cl.** **10-04**

(52) **U.S. Cl.**
USPC **D10/57**

DESCRIPTION

(58) **Field of Classification Search**
USPC D10/57
CPC G01K 1/024; G01K 1/08; G01K 13/026
See application file for complete search history.

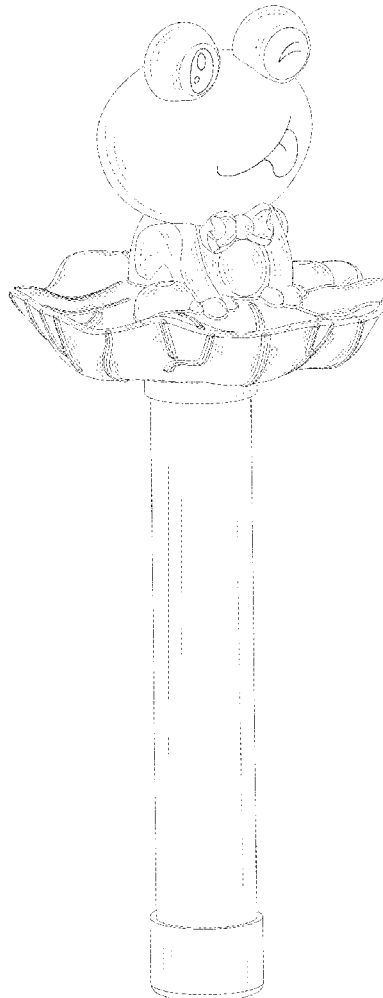
FIG. 1 is a perspective view of the pool thermometer
showing my new design;
FIG. 2 is a front elevational view thereof;
FIG. 3 is a rear elevational view thereof;
FIG. 4 is a left side elevational view thereof;
FIG. 5 is a right side elevational view thereof;
FIG. 6 is a top plan view thereof; and,
FIG. 7 is a bottom plan view thereof.

(56) **References Cited**

U.S. PATENT DOCUMENTS

1 Claim, 7 Drawing Sheets

D730,203 S * 5/2015 Dayan D10/58
D730,756 S * 6/2015 Dayan D10/58



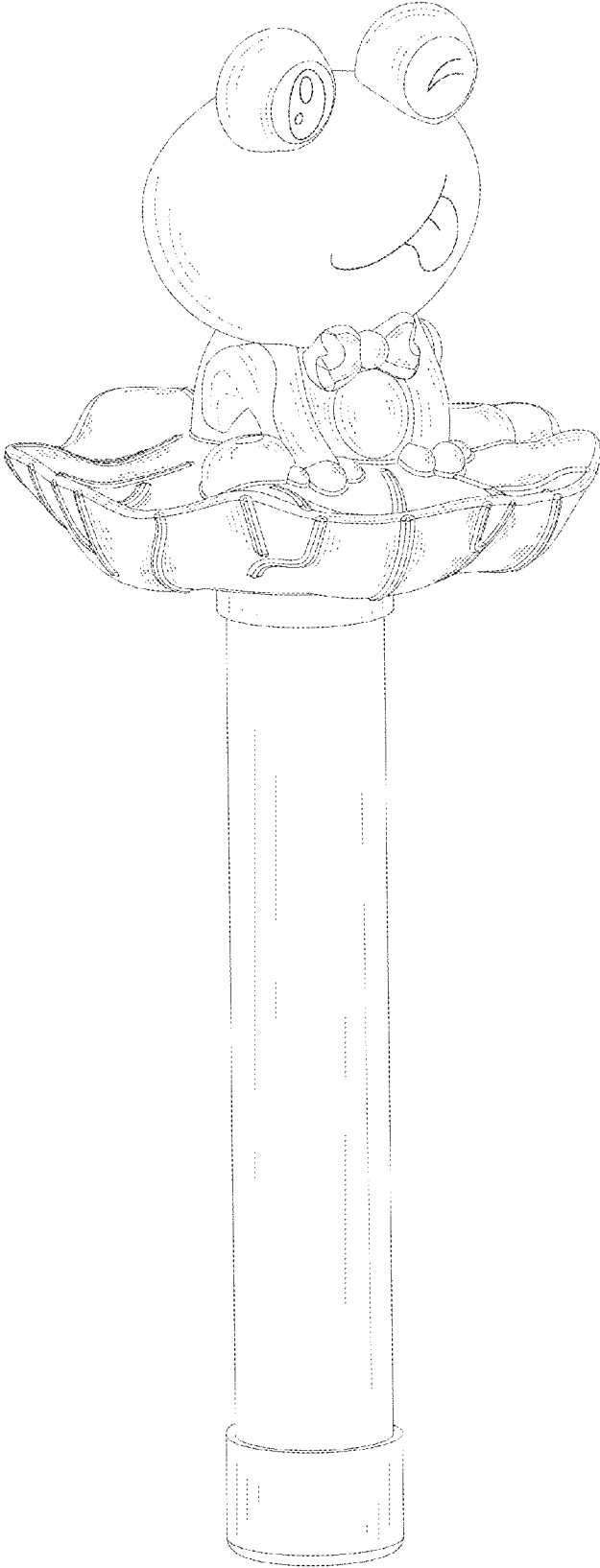


FIG. 1

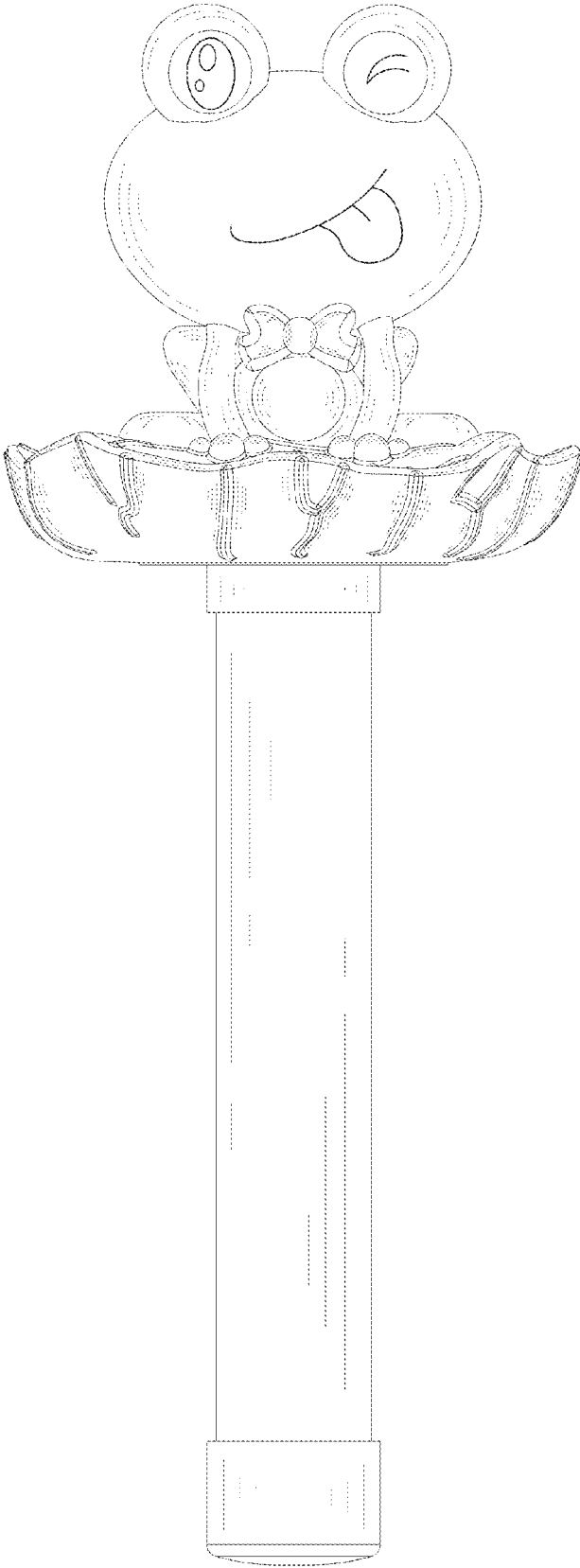


FIG. 2

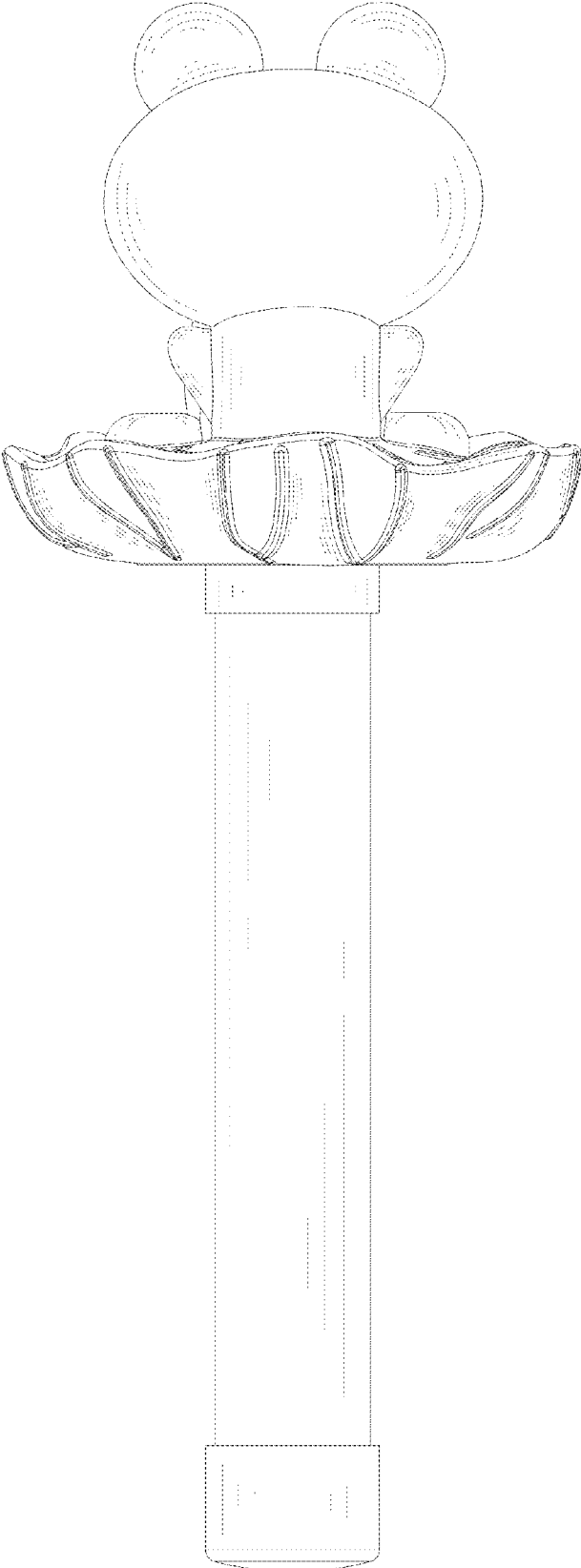


FIG. 3

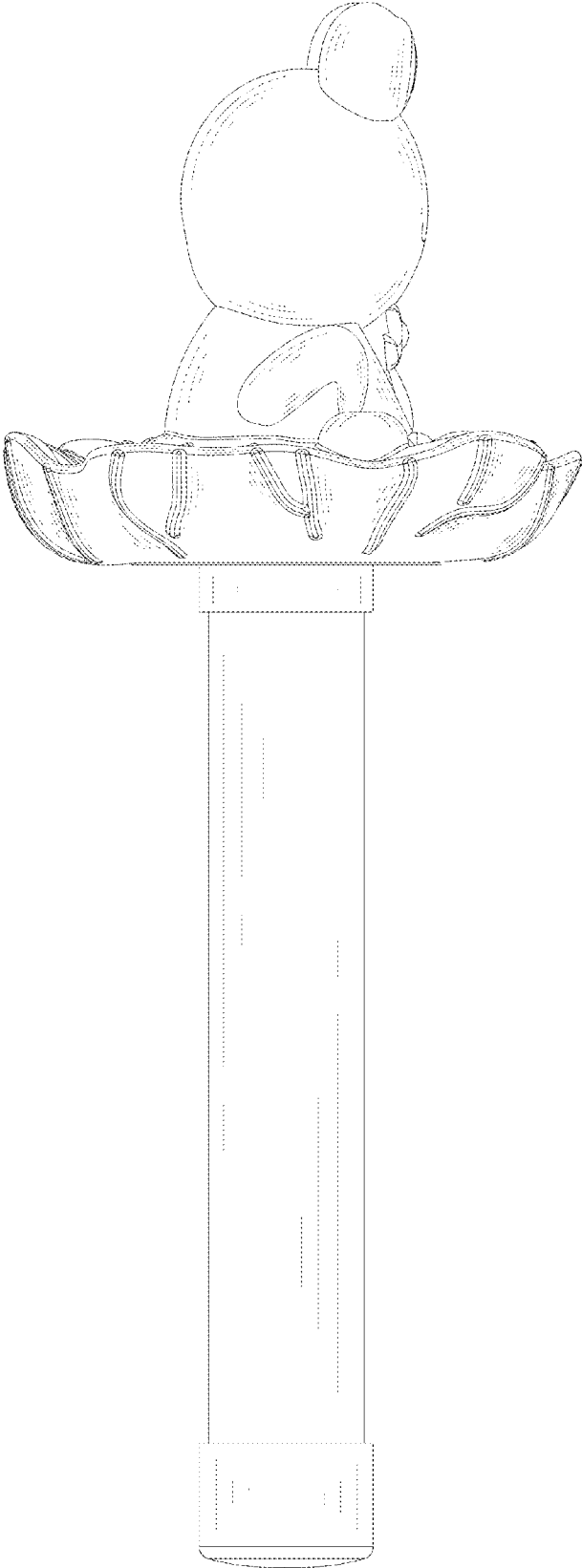


FIG.4

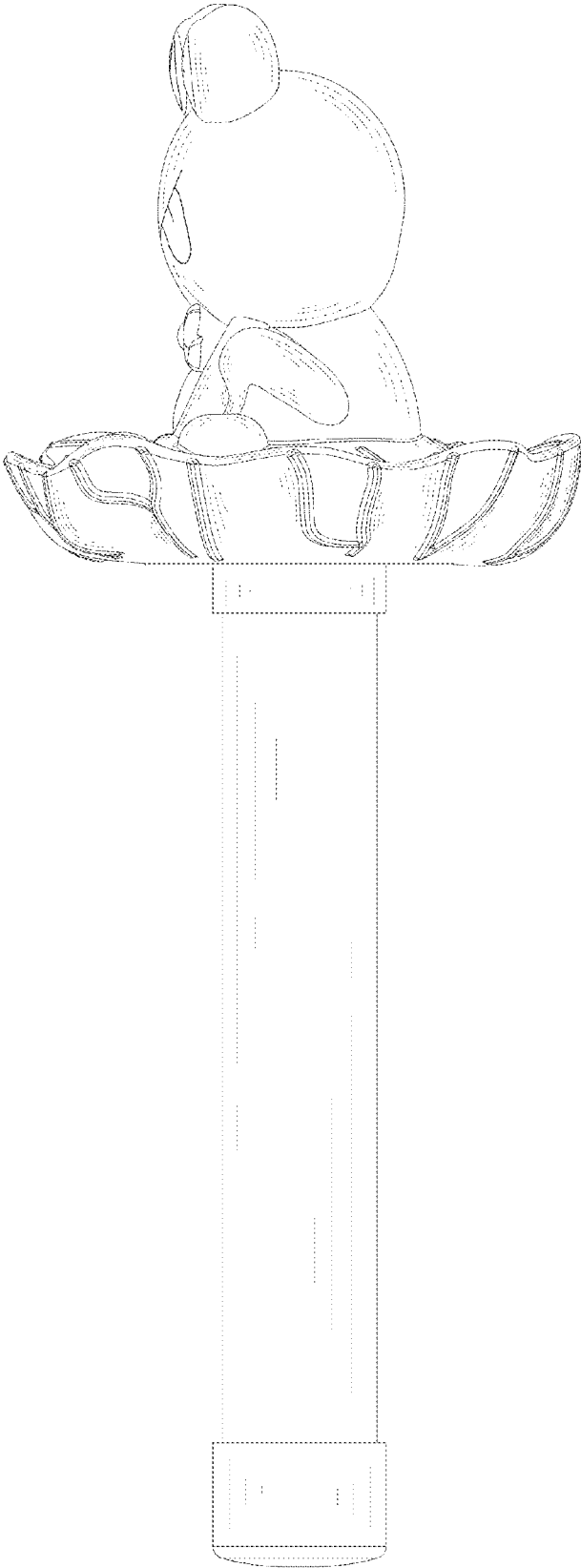


FIG. 5

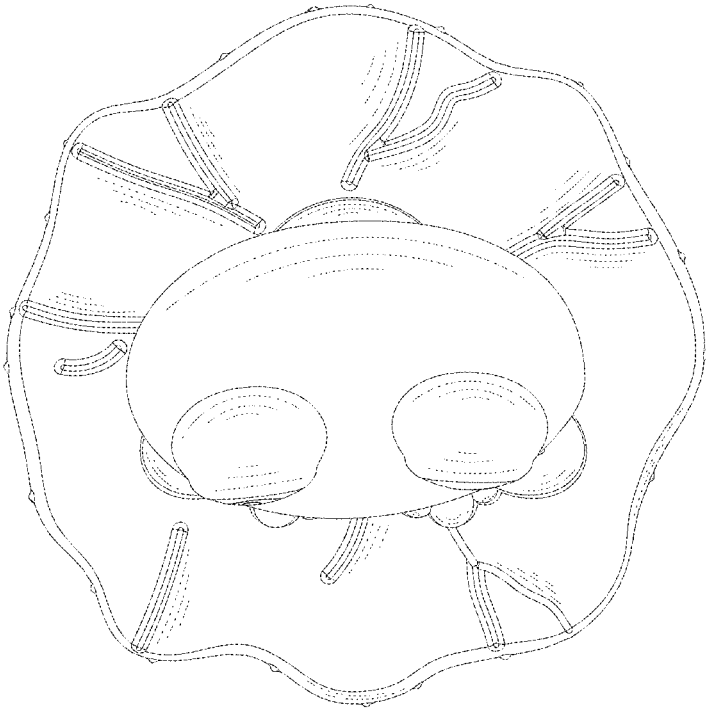


FIG. 6

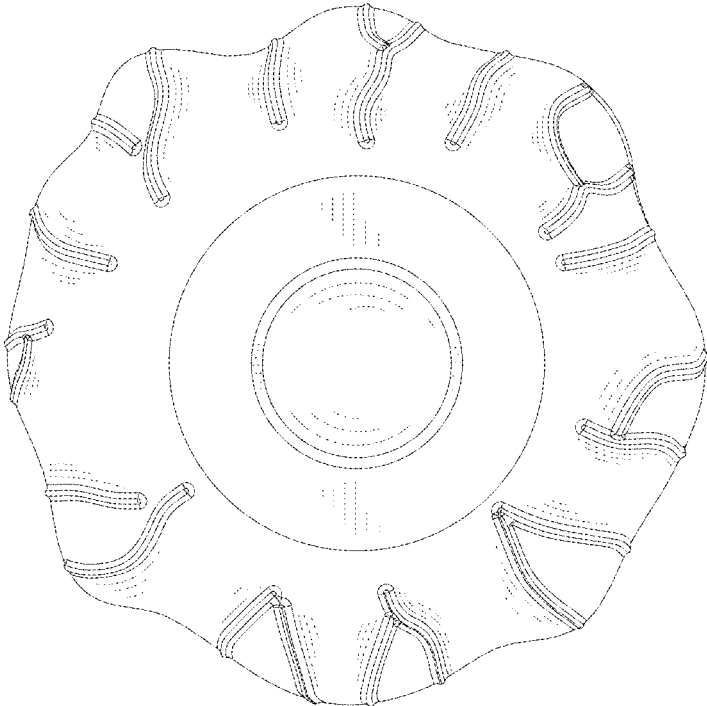


FIG. 7