

(19) World Intellectual Property Organization
International Bureau



(43) International Publication Date
2 March 2006 (02.03.2006)

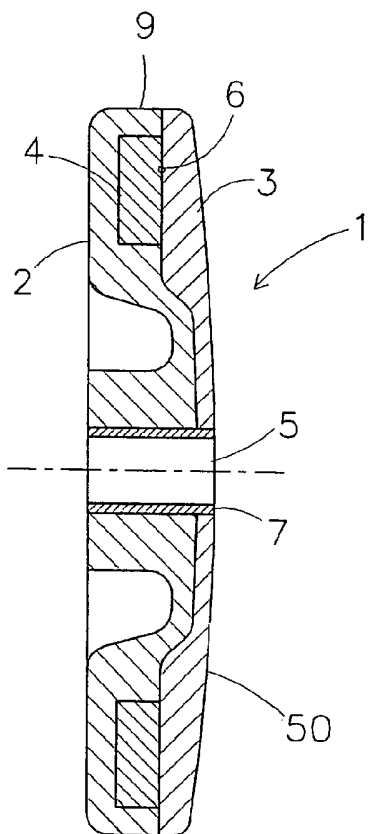
PCT

(10) International Publication Number
WO 2006/021855 A3

- (51) International Patent Classification:
A01K 11/00 (2006.01)
- (21) International Application Number:
PCT/IB2005/002442
- (22) International Filing Date: 18 August 2005 (18.08.2005)
- (25) Filing Language: Dutch
- (26) Publication Language: English
- (30) Priority Data:
1026917 27 August 2004 (27.08.2004) NL
1028322 17 February 2005 (17.02.2005) NL
- (71) Applicant (for all designated States except US): **NEHLS, Reinhard** [DE/DE]; 5, Siedlerstrasse, 46399 Bocholt (DE).
- (72) Inventor; and
- (75) Inventor/Applicant (for US only): **CAISLEY, Roy** [GB/DE]; 14, Am Kreuzberg, 46419 Isselburg-Vehlingen (DE).
- (74) Agent: **VOLMER, J., C.**; Exter Polak & Charlouis B.V., P.O. Box 3241, NL-2280 GE Rijswijk (NL).
- (81) Designated States (unless otherwise indicated, for every kind of national protection available): AE, AG, AL, AM, AT, AU, AZ, BA, BB, BG, BR, BW, BY, BZ, CA, CH, CN, CO, CR, CU, CZ, DE, DK, DM, DZ, EC, EE, EG, ES, FI, GB, GD, GE, GH, GM, HR, HU, ID, IL, IN, IS, JP, KE, KG, KM, KP, KR, KZ, LC, LK, LR, LS, LT, LU, LV, MA, MD, MG, MK, MN, MW, MX, MZ, NA, NG, NI, NO, NZ, OM, PG, PH, PL, PT, RO, RU, SC, SD, SE, SG, SK, SL, SM, SY, TJ, TM, TN, TR, TT, TZ, UA, UG, US, UZ, VC, VN, YU, ZA, ZM, ZW.
- (84) Designated States (unless otherwise indicated, for every kind of regional protection available): ARIPO (BW, GH, GM, KE, LS, MW, MZ, NA, SD, SL, SZ, TZ, UG, ZM, ZW), Eurasian (AM, AZ, BY, KG, KZ, MD, RU, TJ, TM), European (AT, BE, BG, CH, CY, CZ, DE, DK, EE, ES, FI, FR, GB, GR, HU, IE, IS, IT, LT, LU, LV, MC, NL, PL, PT, RO, SE, SI, SK, TR), OAPI (BF, BJ, CF, CG, CI, CM, GA, GN, GQ, GW, ML, MR, NE, SN, TD, TG).
- Published:
— with international search report

[Continued on next page]

(54) Title: EAR TAG ELEMENT AND METHODS FOR PRODUCING AN EAR TAG ELEMENT



(57) Abstract: The invention relates to an ear tag element for tagging animals and to methods for producing it. The ear tag element according to the invention comprises a body (1) and a transponder (4) which is embedded in the said body, the transponder having a chip and an antenna which are connected to one another, and the body of the ear tag element comprising a rigid part (2), a flexible part (3) and a boundary surface (6) between them. The ear tag element according to the invention is characterized by the fact that at least the antenna of the transponder lies in the boundary surface, in such a manner that the antenna on at least one side bears against the rigid part and on at least one other side bears against the flexible part of the body.

WO 2006/021855 A3



— before the expiration of the time limit for amending the claims and to be republished in the event of receipt of amendments

For two-letter codes and other abbreviations, refer to the "Guidance Notes on Codes and Abbreviations" appearing at the beginning of each regular issue of the PCT Gazette.

(88) Date of publication of the international search report:

26 May 2006

INTERNATIONAL SEARCH REPORT

International Application No

PCT/IB2005/002442

A. CLASSIFICATION OF SUBJECT MATTER
INV. A01K11/00

According to International Patent Classification (IPC) or to both national classification and IPC

B. FIELDS SEARCHED

Minimum documentation searched (classification system followed by classification symbols)
A01K

Documentation searched other than minimum documentation to the extent that such documents are included in the fields searched

Electronic data base consulted during the international search (name of data base and, where practical, search terms used)

EPO-Internal, WPI Data, PAJ

C. DOCUMENTS CONSIDERED TO BE RELEVANT

| Category* | Citation of document, with indication, where appropriate, of the relevant passages | Relevant to claim No. |
|-----------|---|-----------------------|
| A | EP 0 639 942 B (ALLFLEX NEW ZEALAND LIMITED) 20 October 1999 (1999-10-20) cited in the application claims; figures | 1,9,13, 17,18,21 |
| A | FR 2 845 564 A (AFFFLEX EUROPE) 16 April 2004 (2004-04-16) claims; figures | 1,9,13, 17,18,21 |
| A | WO 01/33950 A (GARDNER, MICHAEL, STUART; BLADEN, ROY, VICTOR) 17 May 2001 (2001-05-17) page 11, line 3 - line 21; claims; figures | 1 |
| A | EP 0 941 656 A (N.V. NEDERLANDSCHE APPARATENFABRIEK NEDAP) 15 September 1999 (1999-09-15) claims; figures | 1,9,13, 17,18,21 |
| | ----- -/-- | |

Further documents are listed in the continuation of Box C.

See patent family annex.

* Special categories of cited documents :

- "A" document defining the general state of the art which is not considered to be of particular relevance
- "E" earlier document but published on or after the international filing date
- "L" document which may throw doubts on priority claim(s) or which is cited to establish the publication date of another citation or other special reason (as specified)
- "O" document referring to an oral disclosure, use, exhibition or other means
- "P" document published prior to the international filing date but later than the priority date claimed

- "T" later document published after the international filing date or priority date and not in conflict with the application but cited to understand the principle or theory underlying the invention
- "X" document of particular relevance; the claimed invention cannot be considered novel or cannot be considered to involve an inventive step when the document is taken alone
- "Y" document of particular relevance; the claimed invention cannot be considered to involve an inventive step when the document is combined with one or more other such documents, such combination being obvious to a person skilled in the art.
- "&" document member of the same patent family

Date of the actual completion of the international search

14 December 2005

Date of mailing of the international search report

31 MAART 2006

Name and mailing address of the ISA/

European Patent Office, P.B. 5818 Patentlaan 2
NL - 2280 HV Rijswijk
Tel. (+31-70) 340-2040, Tx. 31 651 epo nl,
Fax: (+31-70) 340-3016

Authorized officer

von Arx, V.

INTERNATIONAL SEARCH REPORT

International Application No

PCT/IB2005/002442

C(Continuation). DOCUMENTS CONSIDERED TO BE RELEVANT

| Category | Citation of document, with indication, where appropriate, of the relevant passages | Relevant to claim No. |
|----------|---|-----------------------|
| A | US 2002/066418 A1 (FEARING D. MICHAEL ET AL) 6 June 2002 (2002-06-06) claims; figures ----- | 1 |

FURTHER INFORMATION CONTINUED FROM PCT/ISA/ 210

This International Searching Authority found multiple (groups of) inventions in this international application, as follows:

1. claims: 1-18, 20, 21 insofar they are related to claim 1:

Ear tag element, methods for producing an ear tag element and ear tag, wherein the ear tag element comprises a rigid part, a flexible part and a boundary surface between these two parts, and wherein in at least the antenna of the transponder lies in the boundary surface, in such a manner that on at least one side the antenna bears against the rigid part and on at least one other side bears against the flexible part of the body.

2. claims: 19 and 17, 18 and 21 insofar they are related to claim 19:

Ear tag element and ear tag wherein the surface of the ear tag element is convex in form

INTERNATIONAL SEARCH REPORT

Information on patent family members

International application No

PCT/IB2005/002442

| Patent document cited in search report | Publication date | Patent family member(s) | Publication date |
|--|------------------|-------------------------|-----------------------------|
| EP 0639942 | B | 20-10-1999 | AT 185675 T 15-11-1999 |
| | | | AU 671635 B2 05-09-1996 |
| | | | AU 4094093 A 13-12-1993 |
| | | | BR 9306522 A 15-09-1998 |
| | | | CA 2135476 A1 25-11-1993 |
| | | | DE 69326835 D1 25-11-1999 |
| | | | DE 69326835 T2 27-01-2000 |
| | | | DK 639942 T3 03-01-2000 |
| | | | EP 0639942 A1 01-03-1995 |
| | | | ES 2139657 T3 16-02-2000 |
| | | | GR 3032333 T3 27-04-2000 |
| | | | HU 69269 A2 28-09-1995 |
| | | | WO 9322907 A1 25-11-1993 |
| | | | NZ 242727 A 21-12-1995 |
| | | | PL 173903 B1 29-05-1998 |
| | | | RO 119273 B1 30-07-2004 |
| FR 2845564 | A | 16-04-2004 | AU 2003298263 A1 04-05-2004 |
| | | | BR 0314926 A 02-08-2005 |
| | | | CA 2501780 A1 29-04-2004 |
| | | | WO 2004034779 A1 29-04-2004 |
| | | | EP 1551219 A1 13-07-2005 |
| | | | JP 2006503561 T 02-02-2006 |
| WO 0133950 | A | 17-05-2001 | AU 1314701 A 06-06-2001 |
| EP 0941656 | A | 15-09-1999 | AU 2861899 A 27-09-1999 |
| | | | DE 69900218 D1 20-09-2001 |
| | | | DE 69900218 T2 23-05-2002 |
| | | | NL 1008539 C1 18-06-1998 |
| | | | WO 9945760 A1 16-09-1999 |
| | | | US 6501430 B1 31-12-2002 |
| US 2002066418 | A1 | 06-06-2002 | NONE |