



(12) **United States Design Patent**
Pavlovic et al.

(10) **Patent No.:** **US D1,016,103 S**
(45) **Date of Patent:** **** Feb. 27, 2024**

- (54) **SKID PLATE**
- (71) Applicant: **Diamond Products Limited**, Elyria, OH (US)
- (72) Inventors: **Miroslav Pavlovic**, Broadview Heights, OH (US); **Timothy M. Obrzut**, Middleburg Heights, OH (US)
- (73) Assignee: **Diamond Products Limited**, Elyria, OH (US)

6,736,126 B2 * 5/2004 Schroer B28D 1/045
125/14
7,007,686 B1 * 3/2006 Zuzelo B28D 1/045
125/36
7,163,010 B2 1/2007 Markley et al.
7,258,115 B2 8/2007 Markley et al.
7,516,527 B1 * 4/2009 Zuzelo B28D 1/045
29/402.09
7,757,683 B2 7/2010 Markley et al.
8,276,578 B2 10/2012 Markley et al.
2005/0268900 A1 * 12/2005 Markley B28D 1/045
125/14

(Continued)

(**) Term: **15 Years**

Primary Examiner — Calvin E Vasant
Assistant Examiner — Eidiol Ghigliotty Torres
(74) *Attorney, Agent, or Firm* — Calfee, Halter & Griswold LLP

(21) Appl. No.: **29/814,431**

(22) Filed: **Nov. 5, 2021**

(51) **LOC (14) Cl.** **15-03**

(52) **U.S. Cl.**
USPC **D15/28**

(58) **Field of Classification Search**
USPC D8/343, 354, 367, 382; D15/28, 127, D15/133
CPC .. B27B 9/02; B27B 9/04; B27B 17/02; B27B 17/025; B27B 5/07; Y10T 83/0304; Y10T 83/667; Y10T 83/7264; Y10T 83/727; Y10T 83/73; Y10T 83/8878; Y10T 83/8889; Y10T 409/306384; B28D 7/00; B28D 1/045; B23D 49/167; B23D 47/02
See application file for complete search history.

(56) **References Cited**

U.S. PATENT DOCUMENTS

- 4,903,680 A * 2/1990 Chiuminatta B23Q 9/0014
30/373
- 5,086,750 A * 2/1992 Chiuminatta B24B 27/08
125/13.01
- 5,664,553 A 9/1997 Chiuminatta et al.
- 5,689,072 A 11/1997 Chiuminatta et al.

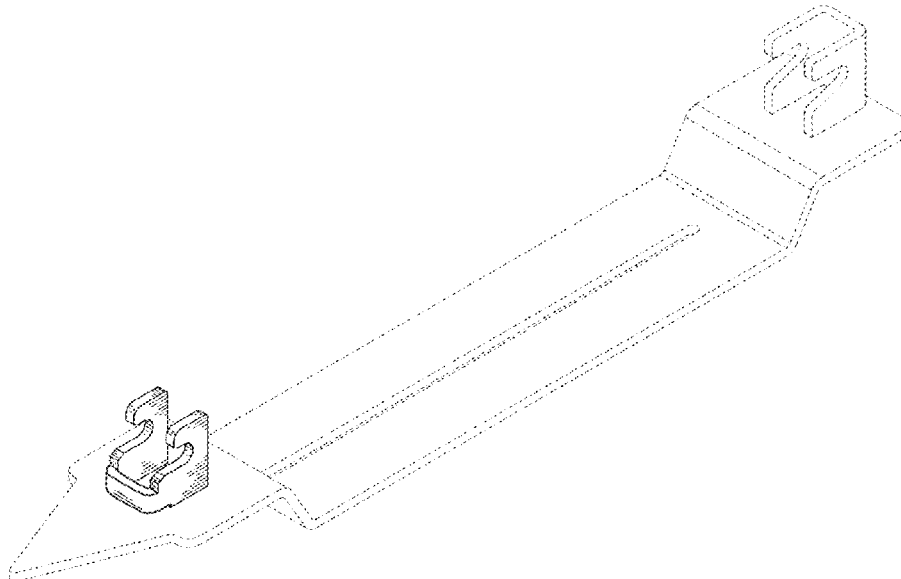
(57) **CLAIM**

The ornamental design for skid plate, as shown and described.

DESCRIPTION

FIG. 1 is a perspective view of an embodiment of a skid plate.
FIG. 2 is a right elevational view of the embodiment of FIG. 1 and a left side elevation view is a mirror image of FIG. 2.
FIG. 3 is a top plan view of the embodiment of FIG. 1.
FIG. 4 is a bottom plan view of the embodiment of FIG. 1.
FIG. 5 is a rear elevational view of the embodiment of FIG. 1; and,
FIG. 6 is a front elevational view of the embodiment of FIG. 1.
The broken line showings in the drawings are for illustrative purposes only and form no part of the claimed design. The contour lines illustrated in the drawings are provided merely to highlight the contour of the design and are not intended to be illustrative of surface ornamentation, which is not claimed.

1 Claim, 2 Drawing Sheets



(56)

References Cited

U.S. PATENT DOCUMENTS

2006/0048763	A1*	3/2006	Burke	B28D 1/045 125/14
2006/0191526	A1*	8/2006	Markley	B23D 47/02 125/13.01

* cited by examiner

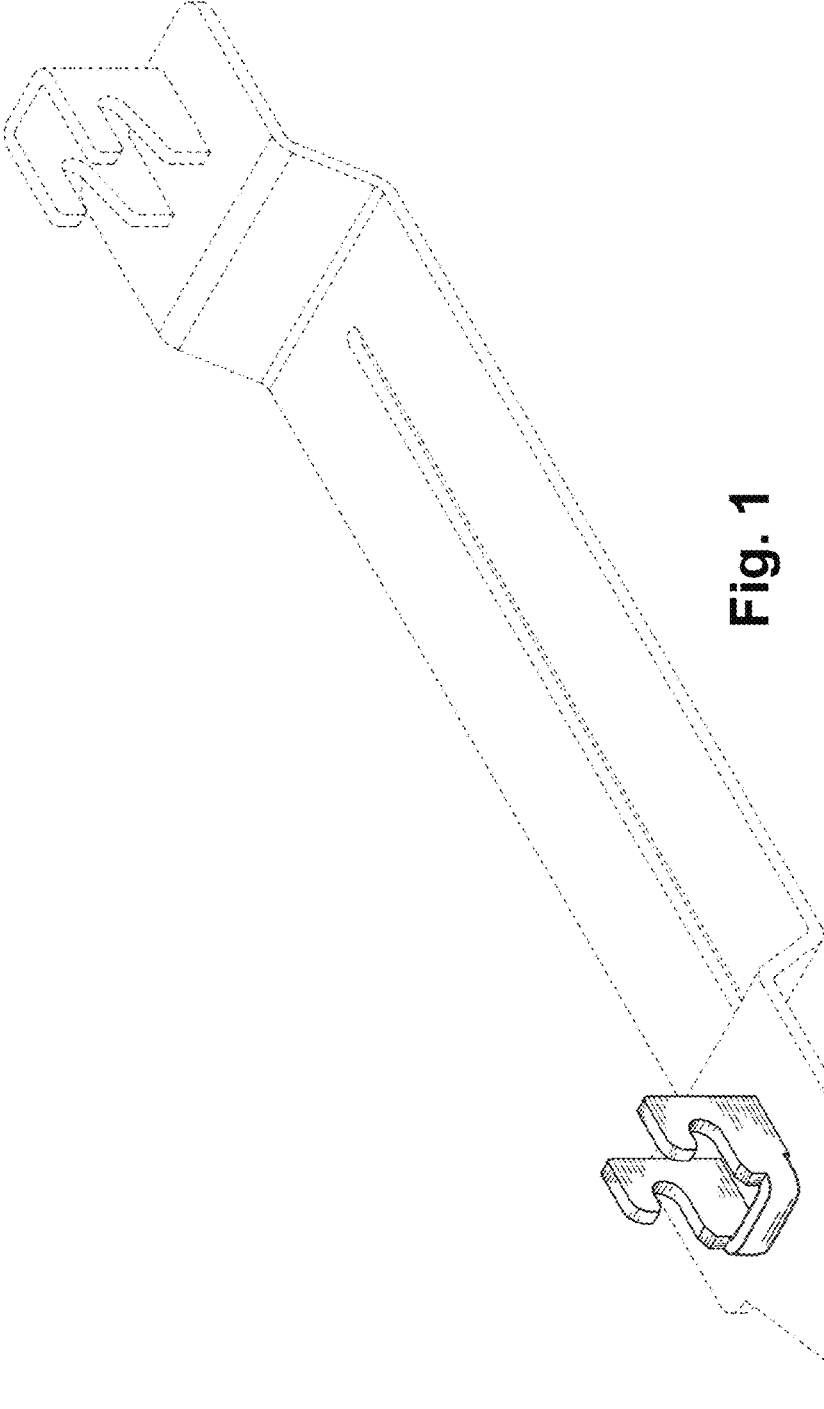


Fig. 1

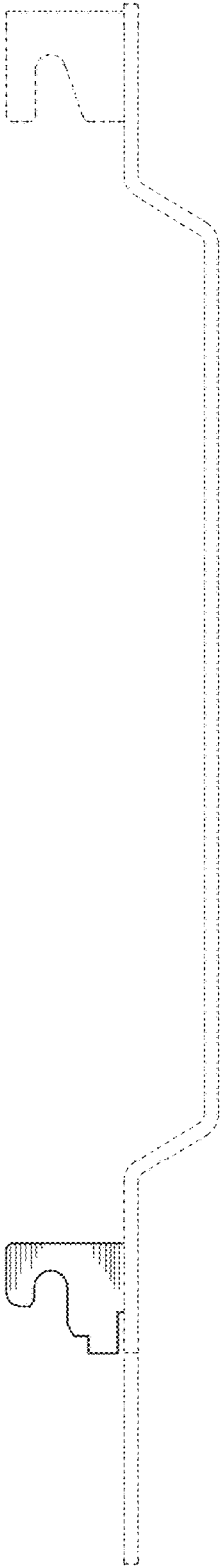


Fig. 2

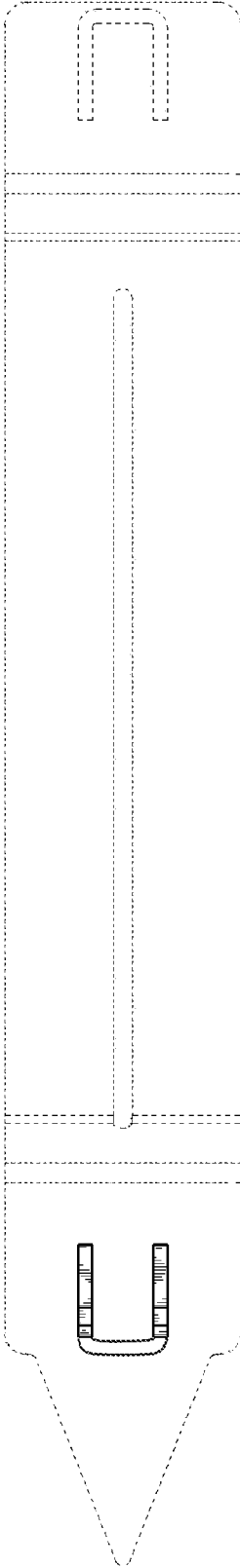


Fig. 3

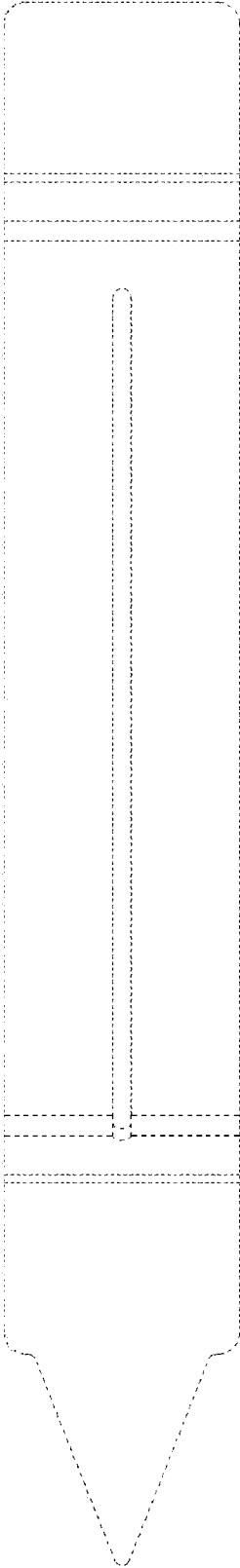


Fig. 4

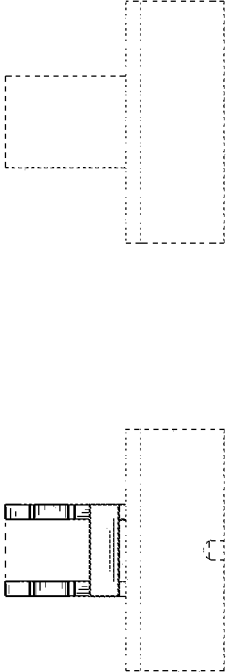


Fig. 5

Fig. 6