

[54] FRAME MEMBER FOR AN INDUSTRIAL PLATFORM

[75] Inventor: Kenneth Fasth, Halmstad, Sweden

[73] Assignee: Aktiebolaget Parts Invent, Halmstad, Sweden

[\*\*] Term: 14 Years

[21] Appl. No.: 24,336

[22] Filed: Mar. 10, 1987

[30] Foreign Application Priority Data

Sep. 12, 1986 [SE] Sweden ..... 86 2092

[52] U.S. Cl. .... D15/141; D25/122

[58] Field of Search ..... D25/122, 123, 124, 125, D25/106, 119; D15/141; 248/676, 570

[56] References Cited

U.S. PATENT DOCUMENTS

D. 243,677 3/1977 Dallaire ..... D25/124  
D. 243,679 3/1977 Dallaire ..... D25/124

D. 290,404 6/1987 Stoler ..... D25/119  
3,451,183 6/1969 Lespagnol et al. .... D25/119 X  
3,475,870 11/1969 Birum ..... D25/122 X  
4,585,131 4/1986 Crossman et al. .... D25/123 X

OTHER PUBLICATIONS

Silkie Display Systems Inc. brochure, p. 1, item 26, Extrusion.

Primary Examiner—Nelson C. Holtje

Assistant Examiner—Jeffrey Asch

Attorney, Agent, or Firm—Dalsimer, Sullivan, Kurucz, Levy, Eisele and Richard

[57] CLAIM

The ornamental design for a frame member for an industrial platform, as shown and described.

DESCRIPTION

FIG. 1 is a front, top, and right side perspective view of a frame member for an industrial platform showing my new design; and

FIG. 2 is a rear, bottom, and left side perspective view thereof.

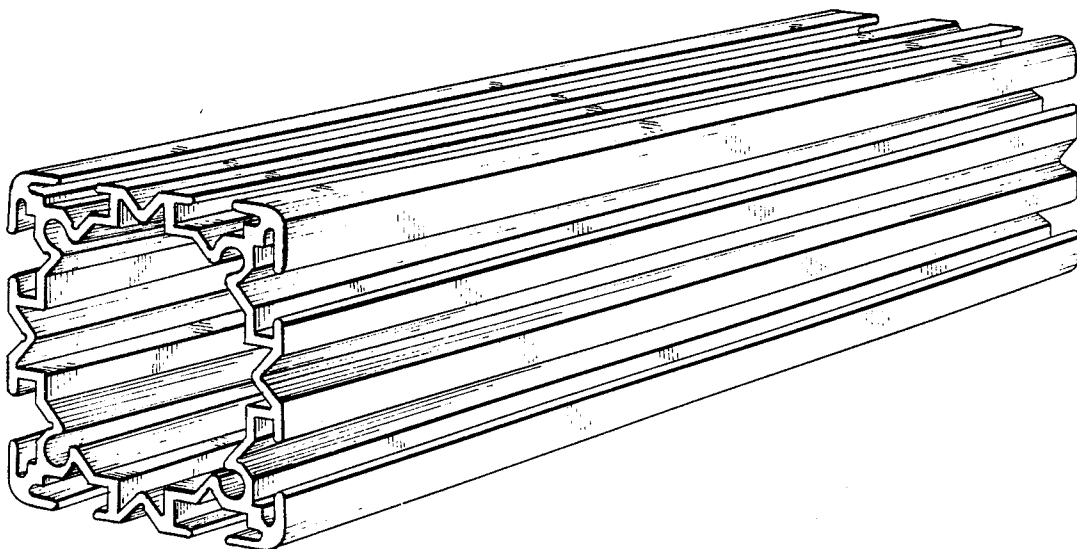


FIG. 1

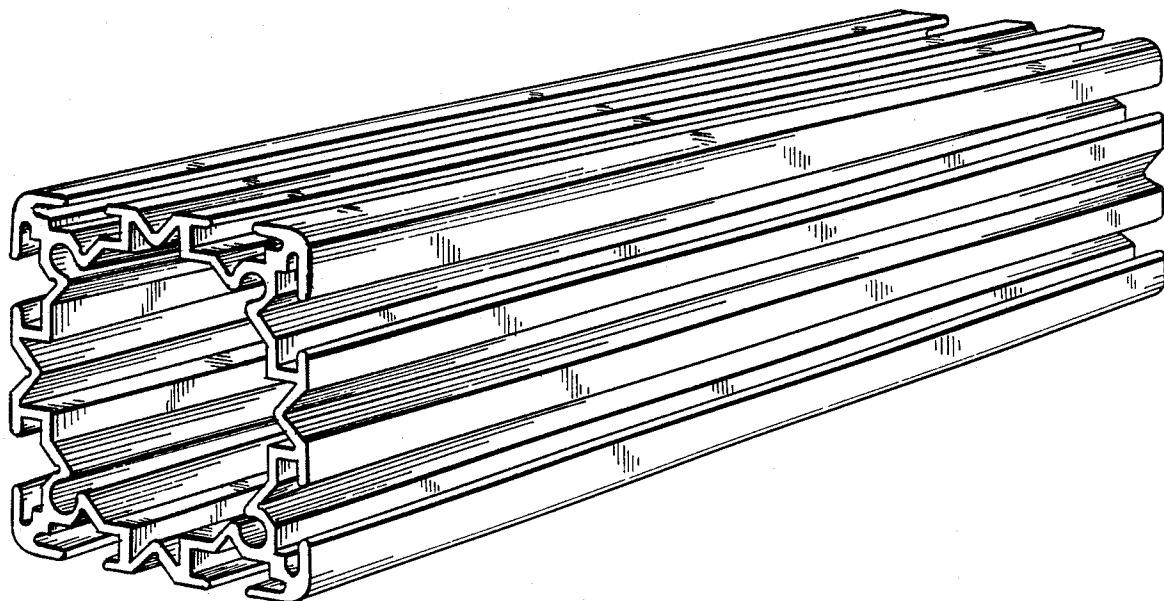


FIG. 2

