



(12) **DEMANDE DE BREVET CANADIEN
CANADIAN PATENT APPLICATION**

(13) **A1**

(86) Date de dépôt PCT/PCT Filing Date: 2016/09/22
(87) Date publication PCT/PCT Publication Date: 2017/03/30
(85) Entrée phase nationale/National Entry: 2018/06/19
(86) N° demande PCT/PCT Application No.: US 2016/053124
(87) N° publication PCT/PCT Publication No.: 2017/053575
(30) Priorité/Priority: 2015/09/22 (US62/221,983)

(51) Cl.Int./Int.Cl. *H04R 1/10* (2006.01)
(71) Demandeur/Applicant:
MUZIK LLC, US
(72) Inventeurs/Inventors:
HARDI, JASON, US;
WHITE, ERIC GREGORY, US...
(74) Agent: AIRD & MCBURNEY LP

(54) Titre : CACHE-OREILLES ANTIBRUIT INTERCHANGEABLES POUR DES CASQUES D'ECOUTE
(54) Title: INTERCHANGABLE EAR CUPS FOR HEADPHONES

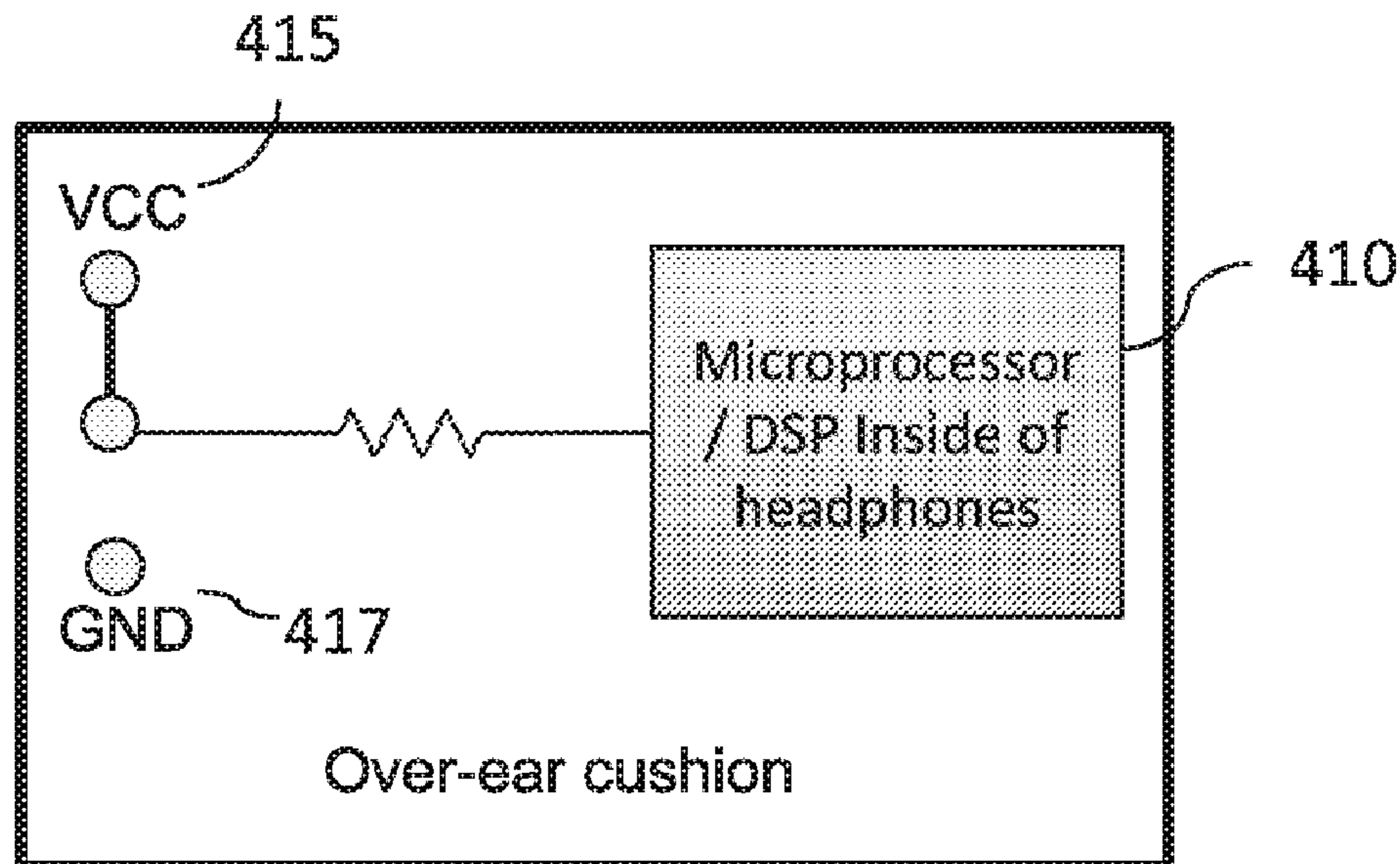


FIG. 4A

(57) **Abrégé/Abstract:**

An audio headset comprising at least one headset earpiece comprising a speaker, an ear cushion adapter, a microprocessor and a driver; and a removable ear cup configured to be removably attached to the headset ear piece; wherein the microprocessor is

(57) **Abrégé(suite)/Abstract(continued):**

configured to recognize the removable ear cup and adjust audio output through the speaker based on parameters associated with the removable ear cup.

(12) INTERNATIONAL APPLICATION PUBLISHED UNDER THE PATENT COOPERATION TREATY (PCT)

(19) World Intellectual Property
Organization
International Bureau(10) International Publication Number
WO 2017/053575 A1(43) International Publication Date
30 March 2017 (30.03.2017)

- (51) International Patent Classification:
H04R 1/10 (2006.01)
- (21) International Application Number:
PCT/US2016/053124
- (22) International Filing Date:
22 September 2016 (22.09.2016)
- (25) Filing Language: English
- (26) Publication Language: English
- (30) Priority Data:
62/221,983 22 September 2015 (22.09.2015) US
- (71) Applicant: MUZIK LLC [US/US]; 404 Washington Avenue, Suite 700, Miami Beach, FL 33139 (US).
- (72) Inventors: HARDI, Jason; 404 Washington, Suite 700, Miami Beach, FL 33139 (US). WHITE, Eric, Gregory; 404 Washington, Suite 700, Miami Beach, FL 33139 (US).
- (74) Agent: GRYGIEL, Sean, J.; Perkins Coie LLP-NYC General, P.O. Box 1247, Seattle, WA 98111-1247 (US).
- (81) Designated States (*unless otherwise indicated, for every kind of national protection available*): AE, AG, AL, AM,

AO, AT, AU, AZ, BA, BB, BG, BH, BN, BR, BW, BY, BZ, CA, CH, CL, CN, CO, CR, CU, CZ, DE, DK, DM, DO, DZ, EC, EE, EG, ES, FI, GB, GD, GE, GH, GM, GT, HN, HR, HU, ID, IL, IN, IR, IS, JP, KE, KG, KN, KP, KR, KW, KZ, LA, LC, LK, LR, LS, LU, LY, MA, MD, ME, MG, MK, MN, MW, MX, MY, MZ, NA, NG, NI, NO, NZ, OM, PA, PE, PG, PH, PL, PT, QA, RO, RS, RU, RW, SA, SC, SD, SE, SG, SK, SL, SM, ST, SV, SY, TH, TJ, TM, TN, TR, TT, TZ, UA, UG, US, UZ, VC, VN, ZA, ZM, ZW.

- (84) Designated States (*unless otherwise indicated, for every kind of regional protection available*): ARIPO (BW, GH, GM, KE, LR, LS, MW, MZ, NA, RW, SD, SL, ST, SZ, TZ, UG, ZM, ZW), Eurasian (AM, AZ, BY, KG, KZ, RU, TJ, TM), European (AL, AT, BE, BG, CH, CY, CZ, DE, DK, EE, ES, FI, FR, GB, GR, HR, HU, IE, IS, IT, LT, LU, LV, MC, MK, MT, NL, NO, PL, PT, RO, RS, SE, SI, SK, SM, TR), OAPI (BF, BJ, CF, CG, CI, CM, GA, GN, GQ, GW, KM, ML, MR, NE, SN, TD, TG).

Published:

- with international search report (Art. 21(3))

(54) Title: INTERCHANGABLE EAR CUPS FOR HEADPHONES

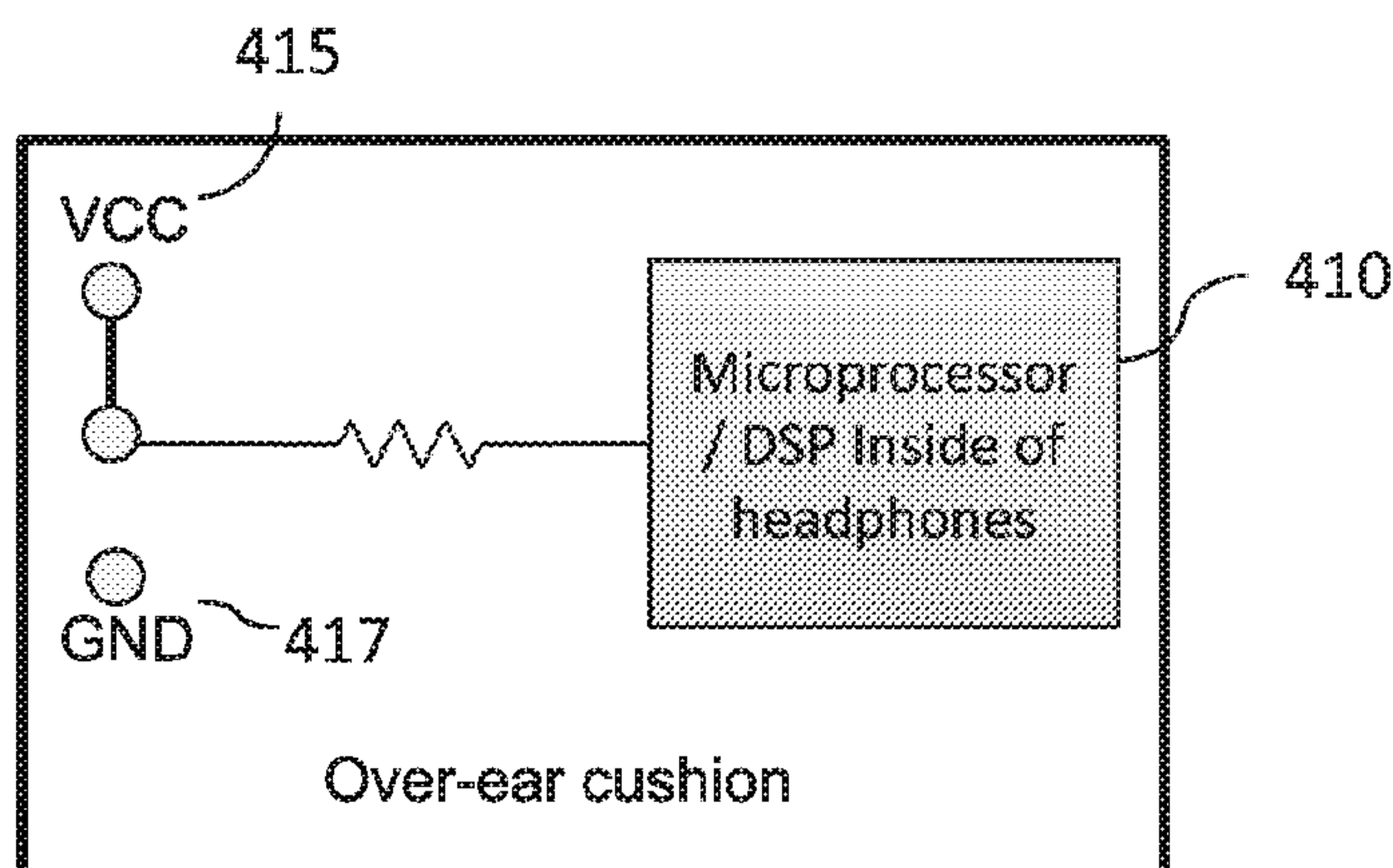


FIG. 4A

(57) Abstract: An audio headset comprising at least one headset earpiece comprising a speaker, an ear cushion adapter, a microprocessor and a driver; and a removable ear cup configured to be removably attached to the headset ear piece; wherein the microprocessor is configured to recognize the removable ear cup and adjust audio output through the speaker based on parameters associated with the removable ear cup.

INTERCHANGEABLE EAR CUPS FOR HEADPHONES

CROSS REFERENCE TO RELATED APPLICATION(S)

[0001] This application claims the benefit of priority to U.S. Provisional Patent Application No. 62/221,983, filed on September 22, 2015, Interchangeable Ear Cups for Headphones, the entire contents of which are incorporated herein by reference.

SUMMARY

[0002] Various example embodiments of the present invention are directed to a headset comprising interchangeable ear cups, wherein the headset can optimize audio output based on the type of ear cup used.

[0003] In one example embodiment of the present invention, an audio headset comprises at least one headset earpiece comprising a speaker, an ear cushion adapter, a microprocessor and a driver. A removable ear cup is configured to be removably attached to the headset ear piece wherein the microprocessor is configured to recognize the removable ear cup and adjust audio output through the speaker based on parameters associated with the removable ear cup.

[0004] Other example embodiments of the present invention may include one or more of the following features. The headset comprises a first set of identification components on the headset earpiece and a second set of identification components on the removable ear cup, wherein the first and second identification components couple when the removable ear cup is attached to the audio headset. The processor is configured to recognize the removable ear cup when the first and second identification components are coupled. The audio headset further comprises a first magnetic tab associated with the headset earpiece and a second magnetic tab associated with the removable ear cup, wherein the first and second magnetic tabs are configured to align and magnetically couple when the removable ear cup is aligned with the headset ear piece. The first magnetic tab comprises a plurality of magnetic tabs configured on a surface of the headset earpiece, and the second magnetic tab comprises a plurality of magnetic tabs configured on a surface of the

removable ear cup. The removable ear cup comprises an over ear cup, on ear cup, or in ear cup. The microprocessor is configured to adjust the audio output at the speaker based on parameters associated with an over ear cup, on ear cup, or in ear cup. The microprocessor may receive user specified parameters to adjust the audio output at the speaker based on a user choice of the type of ear cup attached to the earpiece. The microprocessor is configured to retain parameters associated with ear cup after removal of the ear cup from the earpiece.

[0005] In yet another example embodiment of the present invention, a method performed by an audio headset of playing audio for a user, the method comprises the steps of determining a type of ear cushion coupled to the audio headset, and playing the audio using playback settings associated with the determined type of ear cushion coupled to the audio headset.

[0006] In still a further example embodiment of the present invention an audio headset comprises a pair of headset earpieces, each ear piece comprising a speaker, an ear cushion adapter, a microprocessor and a driver; and a first pair of removable ear cups configured to be removably attached to the headset ear piece, wherein the microprocessor associated with each ear piece is configured to recognize the first pair of removable ear cups and adjust audio output through the speaker based on parameters associated with the first pair of removable ear cups; and a second pair of removable ear cups configured to be removably attached to the headset ear piece, wherein the microprocessor associated with each ear piece is configured to recognize the second pair of removable ear cups and adjust audio output through the speaker based on parameters associated with the second pair of removable ear cups.

[0007] Additional example embodiments of the present invention may include one or more of the following features. The audio headset further comprises a generic set of identification components on each headset earpiece; a first set of identification components on the first pair of removable ear cups configured to couple with the generic set of identification components, and a second set of identification components on the second pair of removable ear cups configured to couple with the generic set of identification components, wherein the first and second sets of identification components

couple to the generic set of identification components in a unique configuration with respect to each other. The processor is configured to recognize the removable ear cup when the identification components are coupled. The first pair of removable ear cups comprises an over ear cup, an on ear cup, or an in ear cup. The second pair of removable ear cups comprises an over ear cup, an on ear cup, or an in ear cup. The first pair of removable ear cups comprises a different type of ear cup than the second pair of removable ear cups. The processor is configured to provide an audio output associated with the type of ear cup coupled to the ear piece, wherein the audio output is a standard profile for ear cups comprising over ear cups, on ear cups, or in ear cups. The processor is configured to provide an audio output associated with the specific ear cup coupled to the ear piece, wherein the specific ear cup is associated with a user profile. The first pair of removable ear cups and the second pair of removable ear cups each comprise a left and right pair of removable ear cups. The microprocessor for each ear piece is configured to provide an output to the speaker associated to the right or left ear cup, wherein the output is associated with a specific user profile for each ear of the user.

DETAILED DESCRIPTION

[0008] Systems, methods, and devices for providing wireless headphones that are connectable to a mobile application and play back audio received from the mobile application (or other source) based on a type of ear cups of the headphones (e.g. on-ear and/or over-ear) are described.

[0009] In some embodiments, the systems and methods determine a type of ear cushion coupled to and audio headset, and play audio using playback settings associated with the determined type of ear cushion coupled to the audio headset. For example, the systems and methods may identify a type of cushion as an over-ear or on-ear cushion, and modify playback settings (e.g., equalization (EQ), bass or treble levels, and so on) or otherwise process the audio to be played back based on the type of cushion.

[0010] In some embodiments, an audio headset includes an ear cushion adapter containing a microprocessor and a driver, and an ear cushion configured to be removably

attached to the ear cushion adapter. For example, the ear cushion adapter may include identification components that couple to identification components of the ear cushion when the ear cushion is removably attached to the ear cushion adapter, and the microprocessor is configured to identify a type of the ear cushion based on the coupling of the identification components of the ear cushion to the identification components of the ear cushion. As another example, the ear cushion is removably attached to the ear cushion adapter via magnets that couple to magnets of the ear cushion adapter.

[0011] The following is a detailed description of exemplary embodiments to illustrate the principles of the invention. The embodiments are provided to illustrate aspects of the invention, but the invention is not limited to any embodiment. The scope of the invention encompasses numerous alternatives, modifications and the equivalent.

[0012] Numerous specific details are set forth in the following description in order to provide a thorough understanding of the invention. However, the invention may be practiced according to the claims without some or all of these specific details. For the purpose of clarity, technical material that is known in the technical fields related to the invention has not been described in detail so that the invention is not unnecessarily obscured.

[0013] Various embodiments are disclosed in the following detailed description and accompanying drawings.

[0014] Figure 1 is a block diagram illustrating a suitable communication environment.

[0015] Figures 2A-2C illustrate various aspects of headphones with interchangeable ear cushions.

[0016] Figure 3 is a schematic diagram illustrating components configured to identify the type of ear cushion coupled to headphones.

[0017] Figures 4A-4B are schematic diagrams illustrating identification circuits for ear cushions coupled to headphones.

[0018] Figure 5 is a flow diagram illustrating a method for playing audio based on a type of ear cushion coupled to headphones.

[0019] Figure 6 is a block diagram illustrating an example architecture of a computing device.

[0020] As described herein, in some embodiments, the systems and methods provide headphones with interchangeable ear cushions, and modify, enhance, or otherwise adjust the playback of audio based on the type of ear cushions coupled to the headphones. Figure 1 depicts a suitable communication environment 100, which includes an audio headset or headphones 110 associated with a mobile device 130 supporting one or more mobile applications 135, which communicate over a wireless network 125.

[0021] In some embodiments, the audio headset 110 communicates with the mobile device 130 over the network 125, in order to receive audio content (e.g., music, podcasts, voice calls, and so on) from the mobile application 135. In some embodiments, the audio headset 110 may also directly communicate with the mobile device 130 via Bluetooth® or other near-field communication protocols, which provides the audio content to the audio headset 110.

[0022] As described herein, in some embodiments, the headphones 110 may be configured with a variety of different interchangeable ear cushions (or, pads) 115, such as over-ear cushions, on-ear cushions, and so on.

[0023] As depicted in Figure 2A, the headphones 110 include an ear cushion adapter or frame 210 that connects or couples the headphones 110 to the ear cushions 115. The ear cushion adapter 210 may include or contain a driver 215, or other components, configured to produce sound, such as a dynamic type driver, an electrostatic driver, a micro-driver, a balanced armature driver, and so on.

[0024] The ear cushion adapter 210 also includes magnets or other attachment components 217 located on or partially integrated with the adapter 210. The magnets 217 couple to magnets fixed to an ear cushion 115 when the ear cushion is positioned to be

attached (removably, or otherwise) to the adapter 210. Thus, the adapter 210 includes components that facilitate the attachment (and, un-attachment) of various interchangeable ear cushions 115 to the headphones 110.

[0025] Figure 2B illustrates various views of an over-ear cushion 220 that is configured to be removably coupled to the ear cushion adapter 210. The over-ear cushion 220 includes an over-ear pad 222 and magnets 225 located on the cushion 220 such that they match up with the magnets 217 of the adapter 210 when the over-ear cushion 220 is positioned to be attached to the adapter 210.

[0026] Figure 2C illustrates various views of an in-ear cushion 230 that is configured to be removably coupled to the ear cushion adapter 210. The in-ear cushion 230 includes an in-ear pad 232 and magnets 235 located on the cushion 230 such that they match up with the magnets 217 of the adapter 210 when the in-ear cushion 230 is positioned to be attached to the adapter 210.

[0027] Figure 3 is a schematic diagram illustrating components configured to identify the type of ear cushion 115 coupled to the headphones 110. As depicted, the ear cushion adapter 210 and the ear cushions 220, 230 include identification contacts 310 (electric contacts), that, when an ear cushion 115 is coupled to the adapter 210, facilitate an identification of the type of ear cushion 115 attached to the headphones 110.

[0028] Figures 4A-4B are schematic diagrams illustrating identification circuits for ear cushions coupled to the headphones 110. As depicted, once a cushion is attached (e.g., via the magnetic attachment components), the identification contacts 310 of the cushion contact the identification contacts associated with supply voltage 415 or identification contacts associated with ground 417.

[0029] For example, coupling an over-ear cushion 220 to the adapter 210 will cause a pull-up to VCC 415, and coupling an on-ear cushion 230 to the adapter 210 will cause a pull-down to GND 417 on the ADC input pin of a microprocessor 410. The processor 410 identifies the cushion as an on-ear cushion 230 or an over-ear cushion 220, and adjusts, sets, or modifies audio playback settings (either directly, via the headphones 110, or indirectly, via the mobile application 135).

[0030] For example, the microprocessor 410 may adjust or set the factory pre-set DSP, tuning and/or EQ, based on the type of ear cushion 115 coupled to the headphones 110. The microprocessor may also perform other actions, such as enable/disable noise cancellation features depending on the type of ear cushion, modify the volume output range, and so on.

[0031] Figure 5 is a flow diagram illustrating a method 500 for playing audio based on a type of ear cushion coupled to headphones. The method 500 may be performed by the headphones 110 and/or the mobile application 135 (or, components therein) and, accordingly, is described herein merely by way of reference thereto. It will be appreciated that the method 500 may be performed on any suitable hardware.

[0032] In operation 510, the headphones 110 determine a type of ear cushion coupled to and audio headset. For example, the microprocessor 410 with the headphones 110 may identify the type of ear cushion coupled to the headphones 110 based on a signal received from the identification contacts 310 when the ear cushion is coupled.

[0033] In operation 520, headphones 110 and/or mobile application 135 play (or, cause to be played) audio using playback settings associated with the determined type of ear cushion coupled to the audio headset. For example, the headphones 110 may identify a type of cushion as an over-ear or on-ear cushion, and modify playback settings (e.g., equalization (EQ), bass or treble levels, and so on) or otherwise process the audio to be played back based on the type of cushion.

[0034] As another example, the mobile application 135 may receive information identifying the type of ear cushion coupled to the headphones 110, and perform various modifications to playback settings associated with the audio streamed or transferred from the mobile application 135 to the headphones 110. For example, the mobile application 135 may modify playback settings based on various identifiers for the ear cushion, such as identifiers that indicate the type of ear cushion, as well as the shape of the ear cushion, the material of the ear cushion, and so on.

Examples of a Suitable Computing Environment

[0035] Figure 6 illustrates a high-level block diagram showing an example architecture of a computer 600, which may represent any electronic device, such as a mobile device or a server, including any node within a cloud service as described herein, and which may implement the operations described above. The computer 600 includes one or more processors 610 and memory 620 coupled to an interconnect 630. The interconnect 630 may be an abstraction that represents any one or more separate physical buses, point to point connections, or both connected by appropriate bridges, adapters, or controllers. The interconnect 630, therefore, may include, for example, a system bus, a Peripheral Component Interconnect (PCI) bus or PCI-Express bus, a HyperTransport or industry standard architecture (ISA) bus, a small computer system interface (SCSI) bus, a universal serial bus (USB), IIC (I2C) bus, or an Institute of Electrical and Electronics Engineers (IEEE) standard 1394 bus, also called "Firewire".

[0036] The processor(s) 610 is/are the central processing unit (CPU) of the computer 600 and, thus, control the overall operation of the computer 600. In certain embodiments, the processor(s) 610 accomplish this by executing software or firmware stored in memory 620. The processor(s) 610 may be, or may include, one or more programmable general-purpose or special-purpose microprocessors, digital signal processors (DSPs), programmable controllers, application specific integrated circuits (ASICs), programmable logic devices (PLDs), field-programmable gate arrays (FPGAs), trusted platform modules (TPMs), or a combination of such or similar devices.

[0037] The memory 620 is or includes the main memory of the computer 600. The memory 620 represents any form of random access memory (RAM), read-only memory (ROM), flash memory, or the like, or a combination of such devices. In use, the memory 620 may contain code 670 containing instructions according to the techniques disclosed herein.

[0038] Also connected to the processor(s) 610 through the interconnect 630 are a network adapter 640 and a mass storage device 650. The network adapter 640 provides the computer 600 with the ability to communicate with remote devices over a network and

may be, for example, an Ethernet adapter. The network adapter 640 may also provide the computer 600 with the ability to communicate with other computers.

[0039] The code 670 stored in memory 620 may be implemented as software and/or firmware to program the processor(s) 610 to carry out actions described above. In certain embodiments, such software or firmware may be initially provided to the computer 600 by downloading it from a remote system through the computer 600 (e.g., via network adapter 640).

CONCLUSION

[0040] The techniques introduced herein can be implemented by, for example, programmable circuitry (e.g., one or more microprocessors) programmed with software and/or firmware, or entirely in special-purpose hardwired circuitry, or in a combination of such forms. Software or firmware for use in implementing the techniques introduced here may be stored on a machine-readable storage medium and may be executed by one or more general-purpose or special-purpose programmable microprocessors.

[0041] In addition to the above mentioned examples, various other modifications and alterations of the invention may be made without departing from the invention. Accordingly, the above disclosure is not to be considered as limiting, and the appended claims are to be interpreted as encompassing the true spirit and the entire scope of the invention.

[0042] The various embodiments are described above with reference to flowchart illustrations and/or block diagrams of methods, apparatus (systems) and computer program products. It will be understood that each block of the flowchart illustrations and/or block diagrams, and combinations of blocks in the flowchart illustrations and/or block diagrams, can be implemented by computer program instructions. These computer program instructions may be provided to a processor of a general purpose computer, special purpose computer, or other programmable data processing apparatus to produce a machine, such that the instructions, which execute via the processor of the computer or

other programmable data processing apparatus, create means for implementing the functions/acts specified in the flowchart and/or block diagram block or blocks.

[0043] A “machine-readable storage medium”, as the term is used herein, includes any mechanism that can store information in a form accessible by a machine (a machine may be, for example, a computer, network device, cellular phone, personal digital assistant (PDA), manufacturing tool, any device with one or more processors, etc.). For example, a machine-accessible storage medium includes recordable/non-recordable media (e.g., read-only memory (ROM); random access memory (RAM); magnetic disk storage media; optical storage media; flash memory devices; etc.), etc.

[0044] These computer program instructions may also be stored in a computer readable medium that can direct a computer, other programmable data processing apparatus, or other devices to function in a particular manner, such that the instructions stored in the computer readable medium produce an object of manufacture including instructions which implement the function/act specified in the flowchart and/or block diagram block or blocks.

[0045] The computer program instructions may also be loaded onto a computer, other programmable data processing apparatuses, or other devices to cause a series of operational steps to be performed on the computer, other programmable apparatus or other devices to produce a computer implemented process such that the instructions which execute on the computer or other programmable apparatus provide processes for implementing the functions/acts specified in the flowchart and/or block diagram block or blocks.

[0046] The aforementioned flowchart and diagrams illustrate the architecture, functionality, and operation of possible implementations of systems, methods and computer program products according to various embodiments. In this regard, each block in the flowchart or block diagrams may represent a module, segment, or portion of code, which comprises one or more executable instructions for implementing the specified logical function(s). It should also be noted that, in some alternative implementations, the functions noted in the block may occur out of the order noted in the figures. For example,

two blocks shown in succession may, in fact, be executed substantially concurrently, or the blocks may sometimes be executed in the reverse order, depending upon the functionality involved. It will also be noted that each block of the block diagrams and/or flowchart illustration, and combinations of blocks in the block diagrams and/or flowchart illustration, can be implemented by special purpose hardware-based systems that perform the specified functions or acts, or combinations of special purpose hardware and computer instructions.

[0047] Although various features of the invention may be described in the context of a single embodiment, the features may also be provided separately or in any suitable combination. Conversely, although the invention may be described herein in the context of separate embodiments for clarity, the invention may also be implemented in a single embodiment.

[0048] Reference in the specification to “some embodiments”, “an embodiment”, “one embodiment” or “other embodiments” means that a particular feature, structure, or characteristic described in connection with the embodiments is included in at least some embodiments, but not necessarily all embodiments, of the inventions.

[0049] It is to be understood that the phraseology and terminology employed herein is not to be construed as limiting and are for descriptive purpose only.

[0050] It is to be understood that the details set forth herein do not construe a limitation to an application of the invention.

[0051] Furthermore, it is to be understood that the invention can be carried out or practiced in various ways and that the invention can be implemented in embodiments other than the ones outlined in the description above.

[0052] It is to be understood that the terms “including”, “comprising”, “consisting” and grammatical variants thereof do not preclude the addition of one or more components, features, steps, or integers or groups thereof and that the terms are to be construed as specifying components, features, steps or integers.

CLAIMS

We claim:

1. An audio headset comprising:

at least one headset earpiece comprising a speaker, an ear cushion adapter, a microprocessor and a driver; and

a removable ear cup configured to be removably attached to the headset ear piece;

wherein the microprocessor is configured to recognize the removable ear cup and adjust audio output through the speaker based on parameters associated with the removable ear cup.

2. The audio headset of claim 1 further comprising a first set of identification components on the headset earpiece and a second set of identification components on the removable ear cup, wherein the first and second identification components couple when the removable ear cup is attached to the audio headset.

3. The audio headset of claim 2 wherein the processor is configured to recognize the removable ear cup when the first and second identification components are coupled.

4. The audio headset of claim 1 further comprising a first magnetic tab associated with the headset earpiece and a second magnetic tab associated with the removable ear cup, wherein the first and second magnetic tabs are configured to align and magnetically couple when the removable ear cup is aligned with the headset ear piece.

5. The audio headset of claim 4 wherein the first magnetic tab comprises a plurality of magnetic tabs configured on a surface of the headset earpiece, and the second magnetic tab comprises a plurality of magnetic tabs configured on a surface of the removable ear cup.

6. The audio headset of claim 1 wherein the removable ear cup comprises an over ear cup, on ear cup, or in ear cup.

7. The audio headset of claim 1 wherein the microprocessor is configured to adjust the audio output at the speaker based on parameters associated with an over ear cup, on ear cup, or in ear cup.

8. The audio headset of claim 7 wherein the microprocessor may receive user specified parameters to adjust the audio output at the speaker based on a user choice of the type of ear cup attached to the earpiece.

9. The audio headset of claim 1 wherein the microprocessor is configured to retain parameters associated with ear cup after removal of the ear cup from the earpiece.

10. A method performed by an audio headset of playing audio for a user, the method comprising:

determining a type of ear cushion coupled to the audio headset; and
playing the audio using playback settings associated with the determined type of ear cushion coupled to the audio headset.

11. An audio headset comprising:

a pair of headset earpieces, each ear piece comprising a speaker, an ear cushion adapter, a microprocessor and a driver; and

a first pair of removable ear cups configured to be removably attached to the headset ear piece, wherein the microprocessor associated with each ear piece is configured to recognize the first pair of removable ear cups and adjust audio output through the speaker based on parameters associated with the first pair of removable ear cups; and

a second pair of removable ear cups configured to be removably attached to the headset ear piece, wherein the microprocessor associated with each ear piece is configured to recognize the second pair of removable ear cups and adjust audio output through the speaker based on parameters associated with the second pair of removable ear cups.

12. The audio headset of claim 11 further comprising:
a generic set of identification components on each headset earpiece;
a first set of identification components on the first pair of removable ear cups configured to couple with the generic set of identification components, and
a second set of identification components on the second pair of removable ear cups configured to couple with the generic set of identification components,
wherein the first and second sets of identification components couple to the generic set of identification components in a unique configuration with respect to each other.

13. The audio headset of claim 12 wherein the processor is configured to recognize the removable ear cup when the identification components are coupled.

14. The audio headset of claim 11 wherein the first pair of removable ear cups comprises an over ear cup, an on ear cup, or an in ear cup.

15. The audio headset of claim 11 wherein the second pair of removable ear cups comprises an over ear cup, an on ear cup, or an in ear cup.

16. The audio headset of claim 11 wherein the first pair of removable ear cups comprises a different type of ear cup than the second pair of removable ear cups.

17. The audio headset of claim 11 wherein the processor is configured to provide an audio output associated with the type of ear cup coupled to the ear piece, wherein the audio output is a standard profile for earcups comprising over ear cups, on ear cups, or in ear cups.

18. The audio headset of claim 11 wherein the processor is configured to provide an audio output associated with the specific ear cup coupled to the ear piece, wherein the specific ear cup is associated with a user profile.

19. The audio headset of claim 11 wherein the first pair of removable ear cups and the second pair of removable ear cups each comprise a left and right pair of removable ear cups.

20. The audio headset of claim 19 wherein the microprocessor for each ear piece is configured to provide an output to the speaker associated to the right or left ear cup, wherein the output is associated with a specific user profile for each ear of the user.

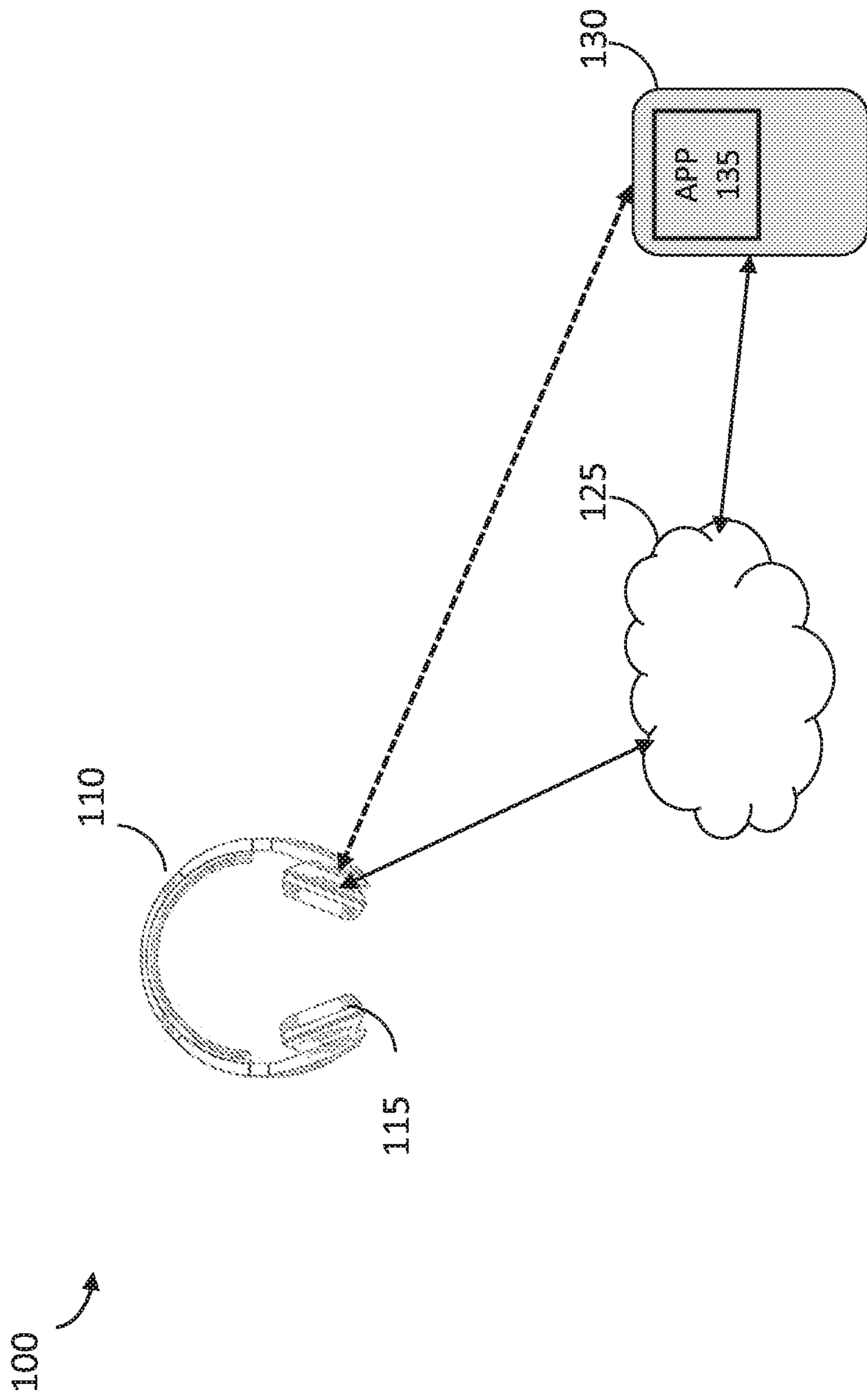


FIG. 1

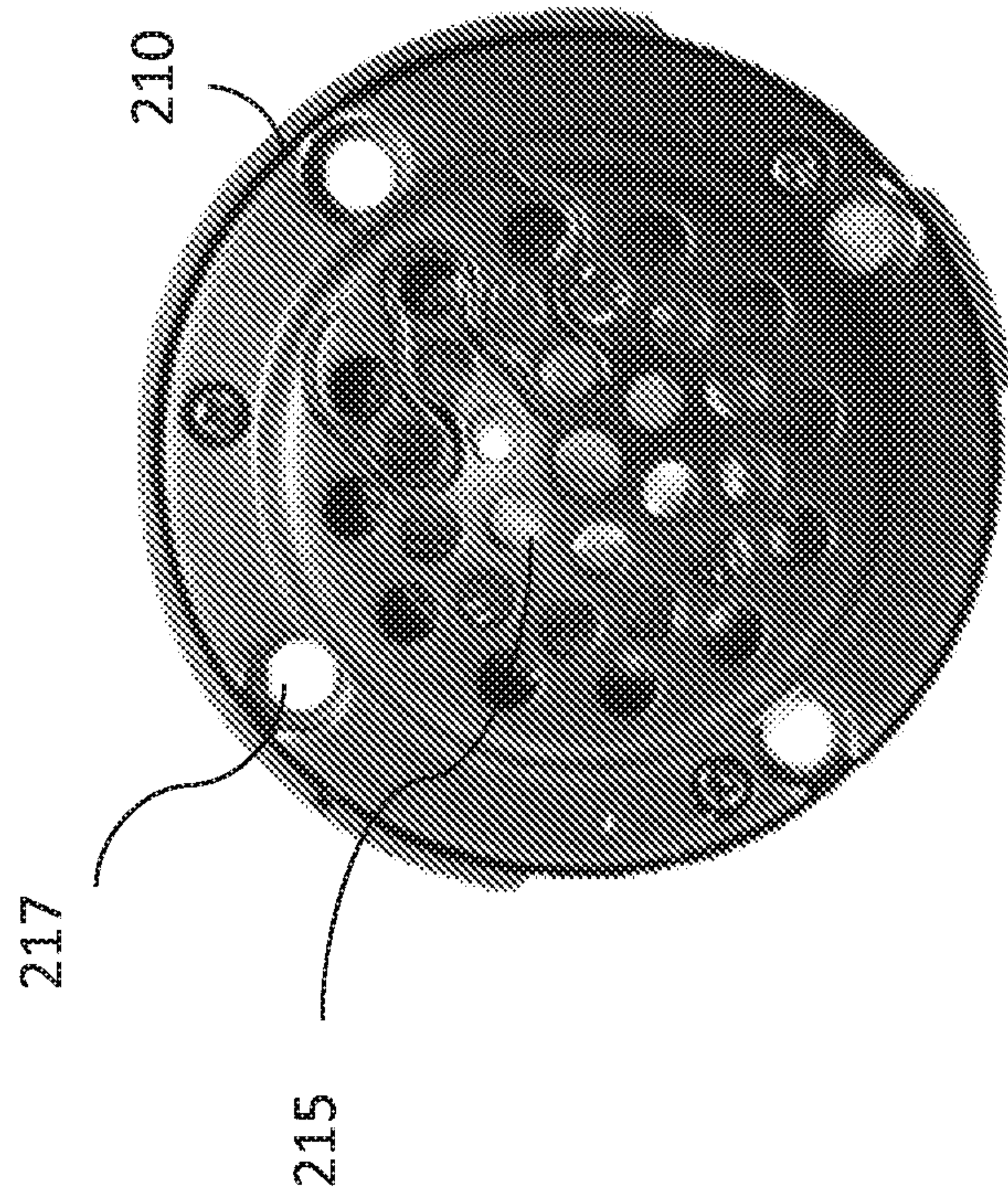


FIG. 2A

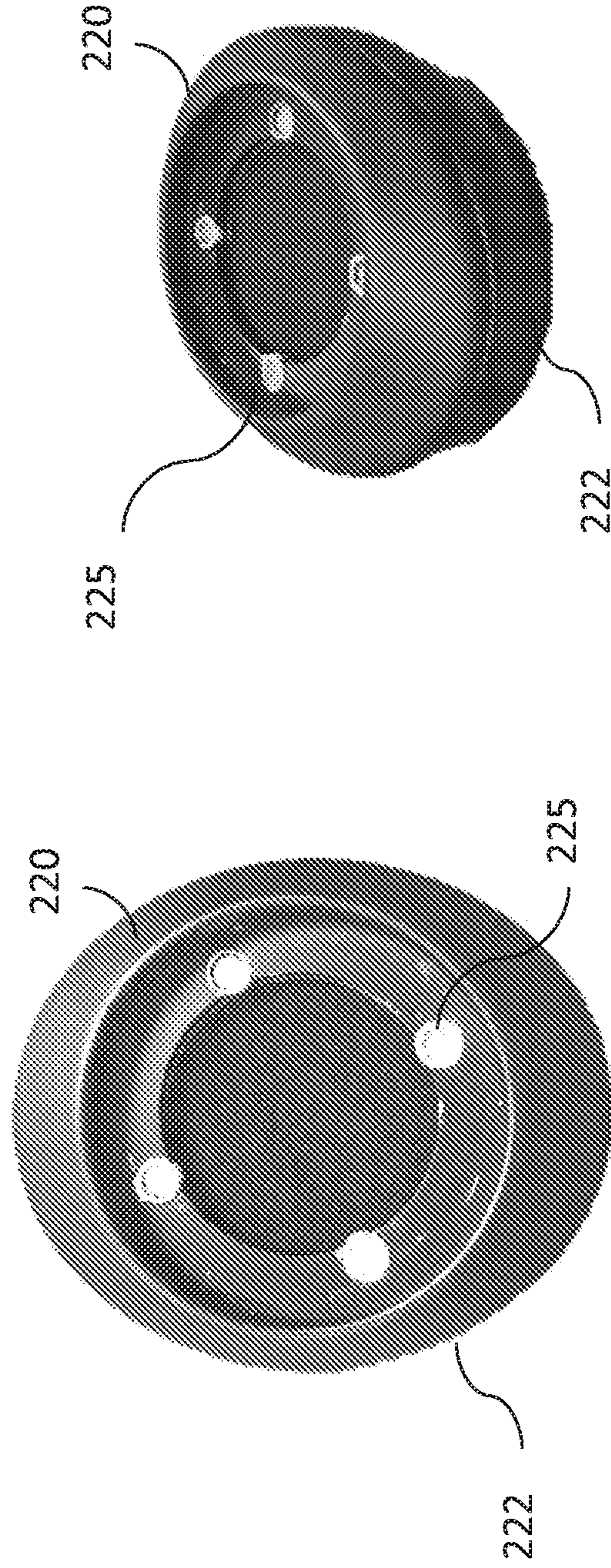


FIG. 2B

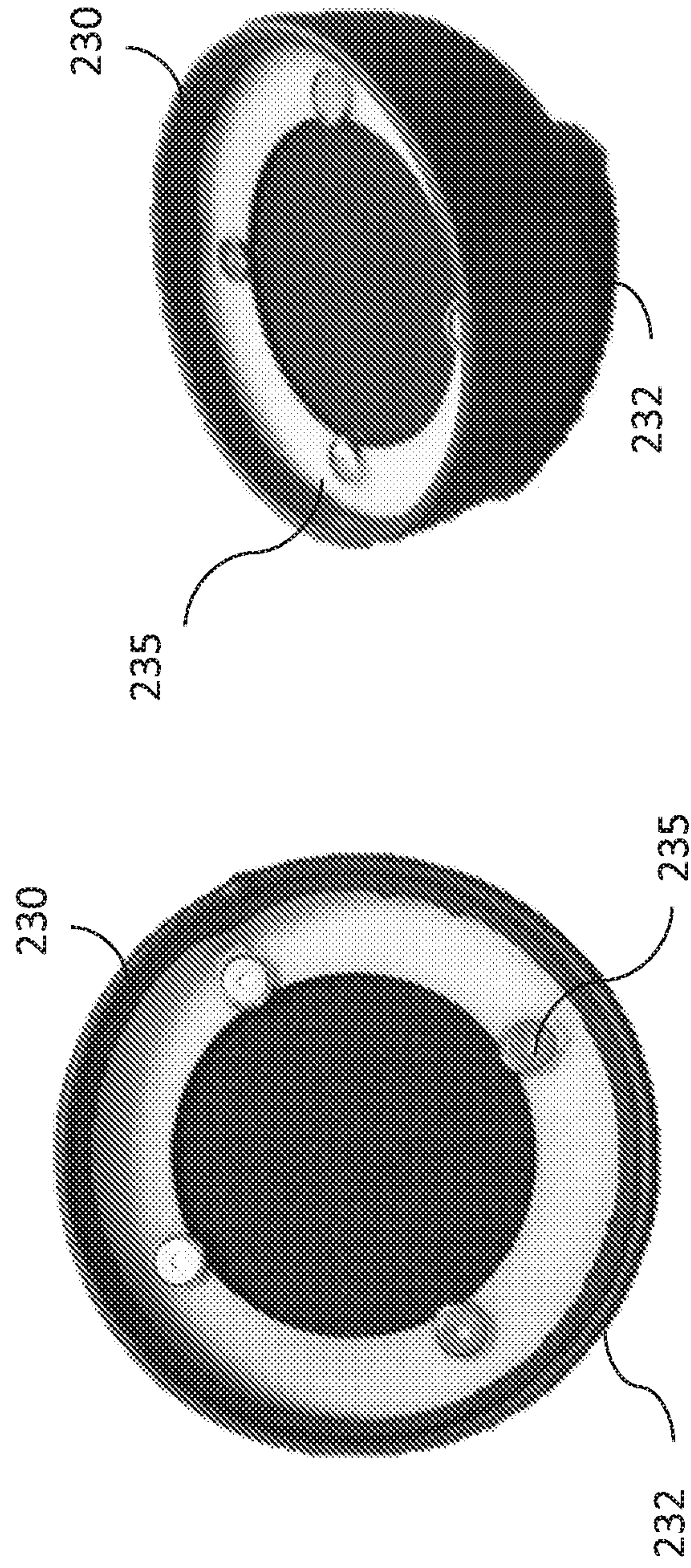


FIG. 2C

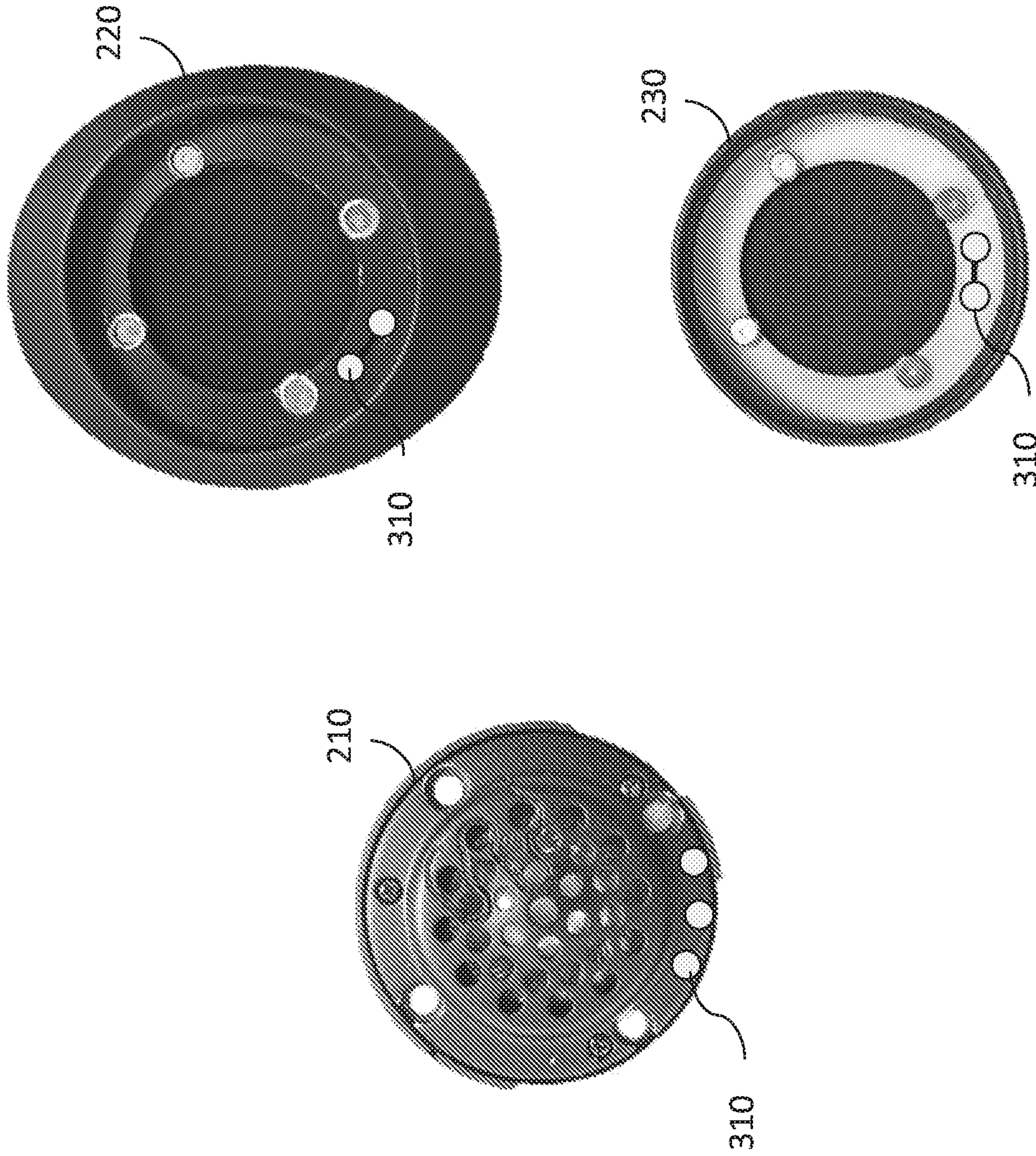


FIG. 3

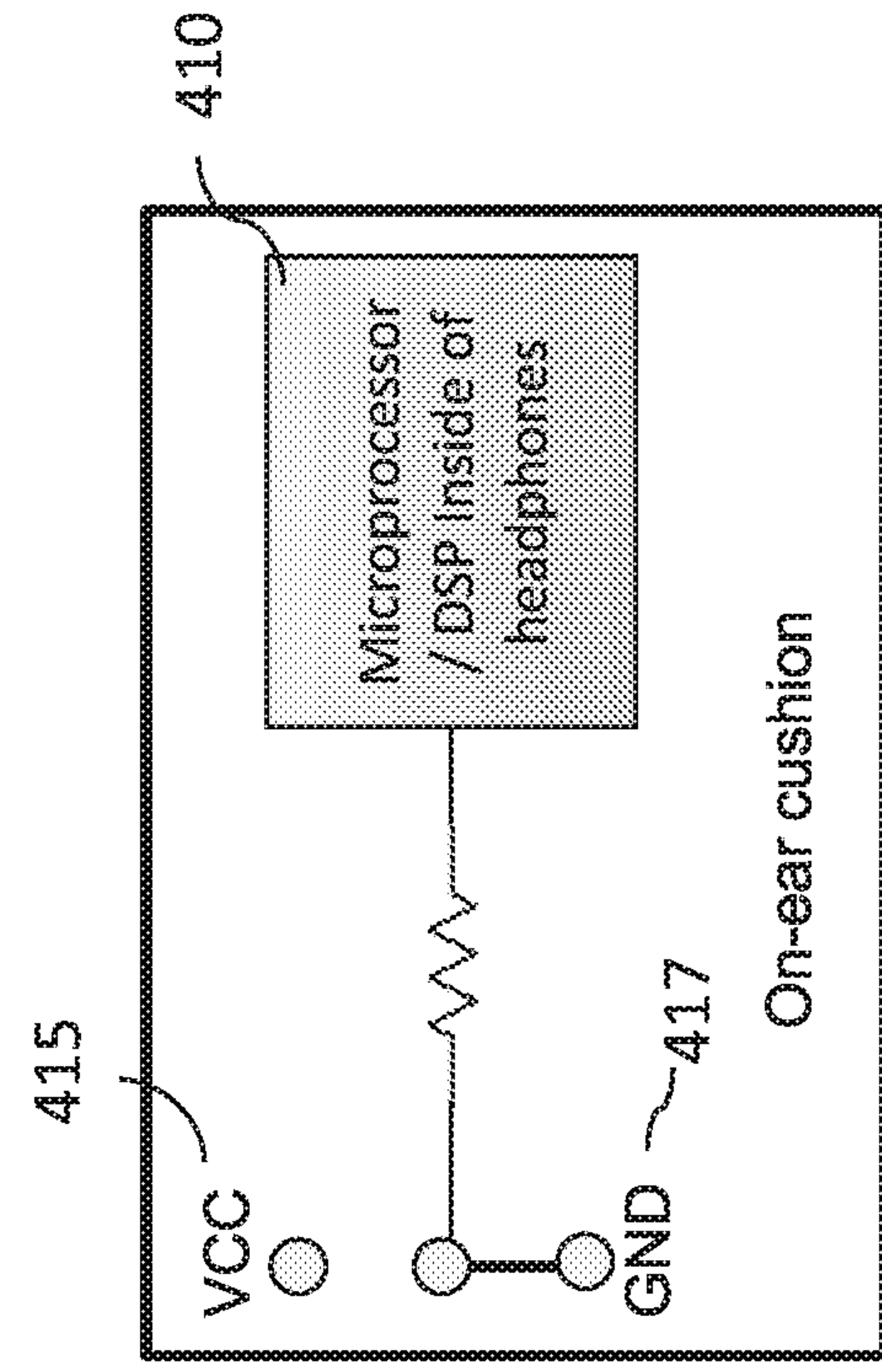


FIG. 4B

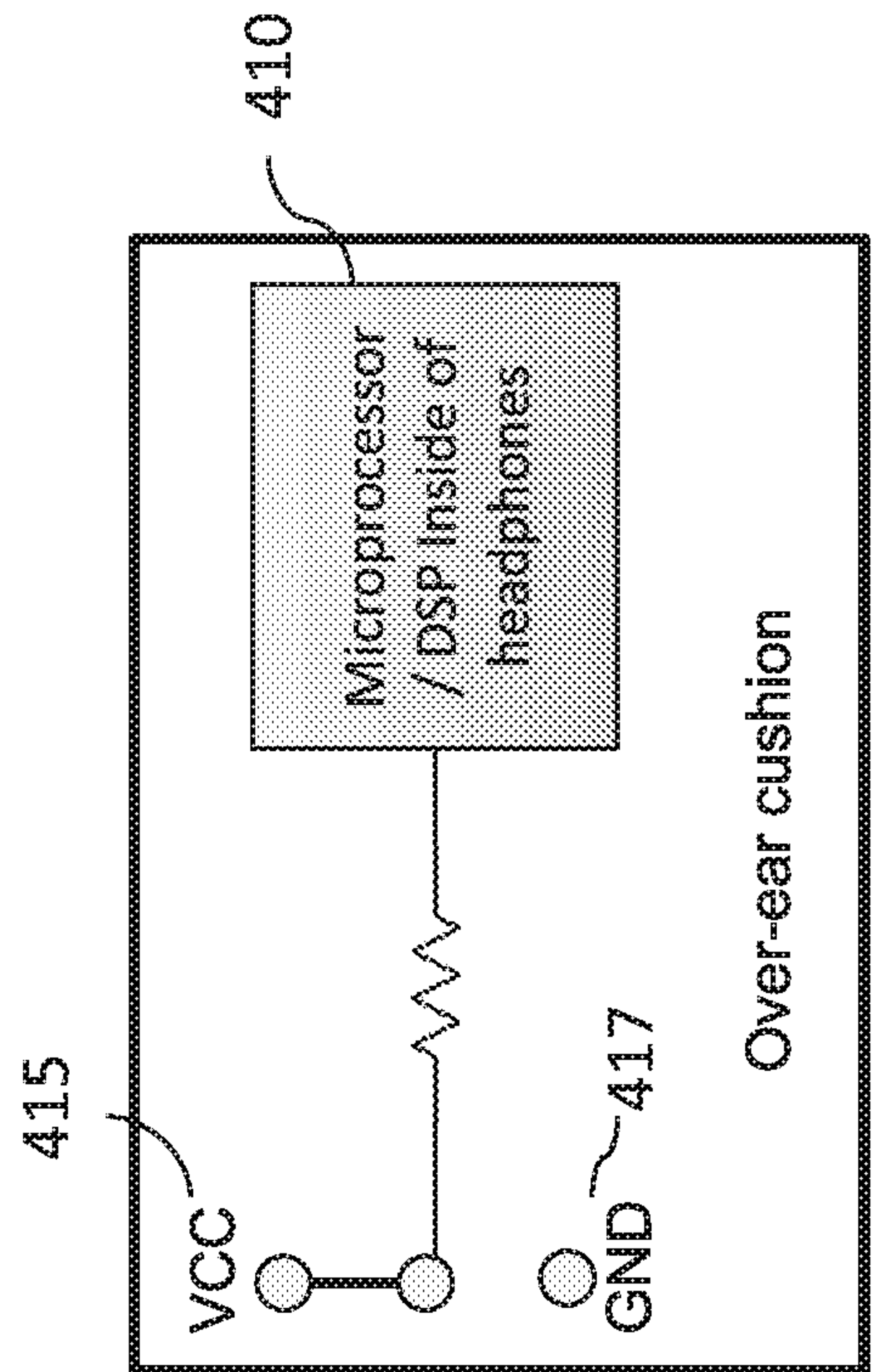


FIG. 4A

500 ↗

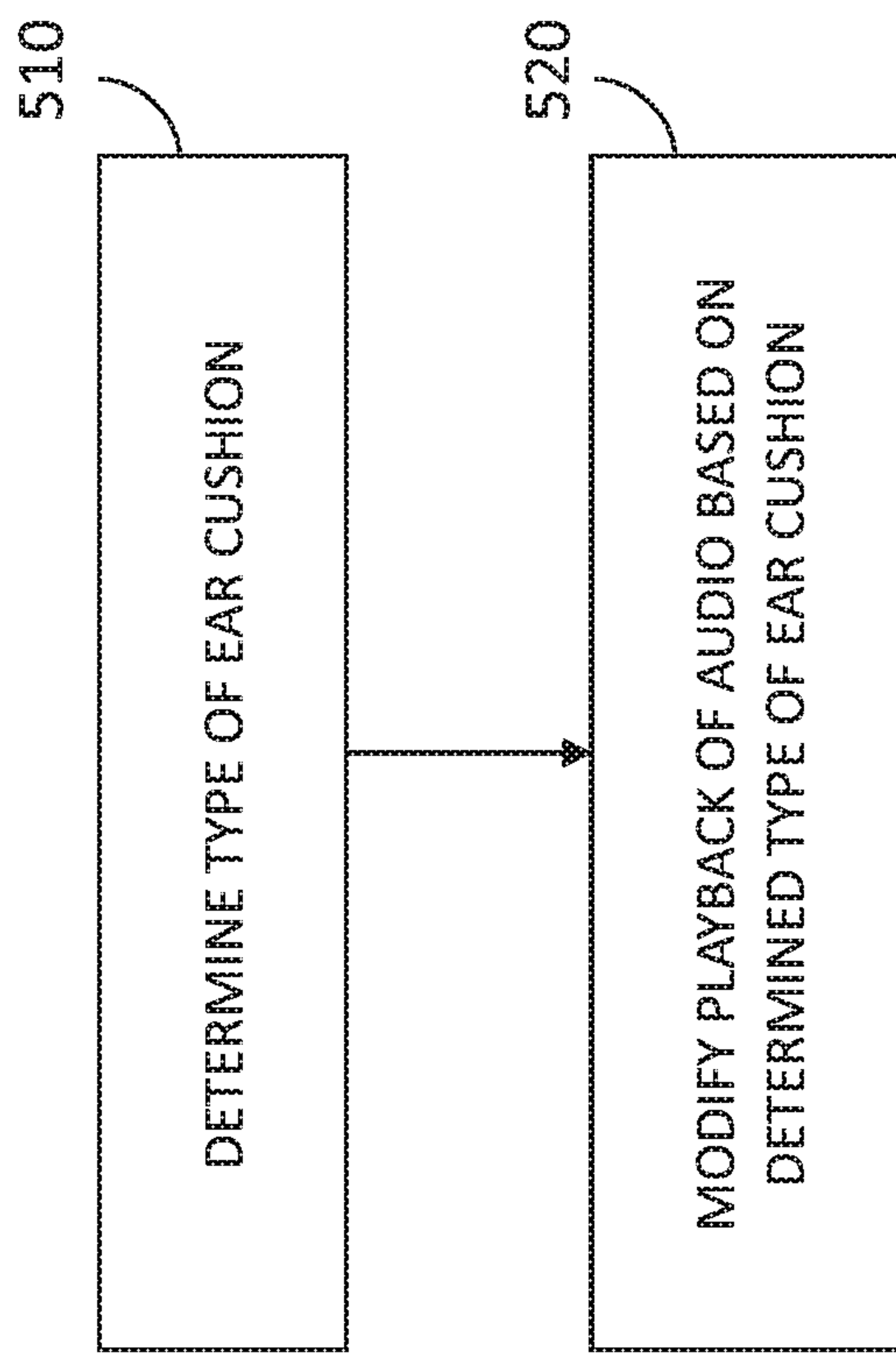


FIG. 5

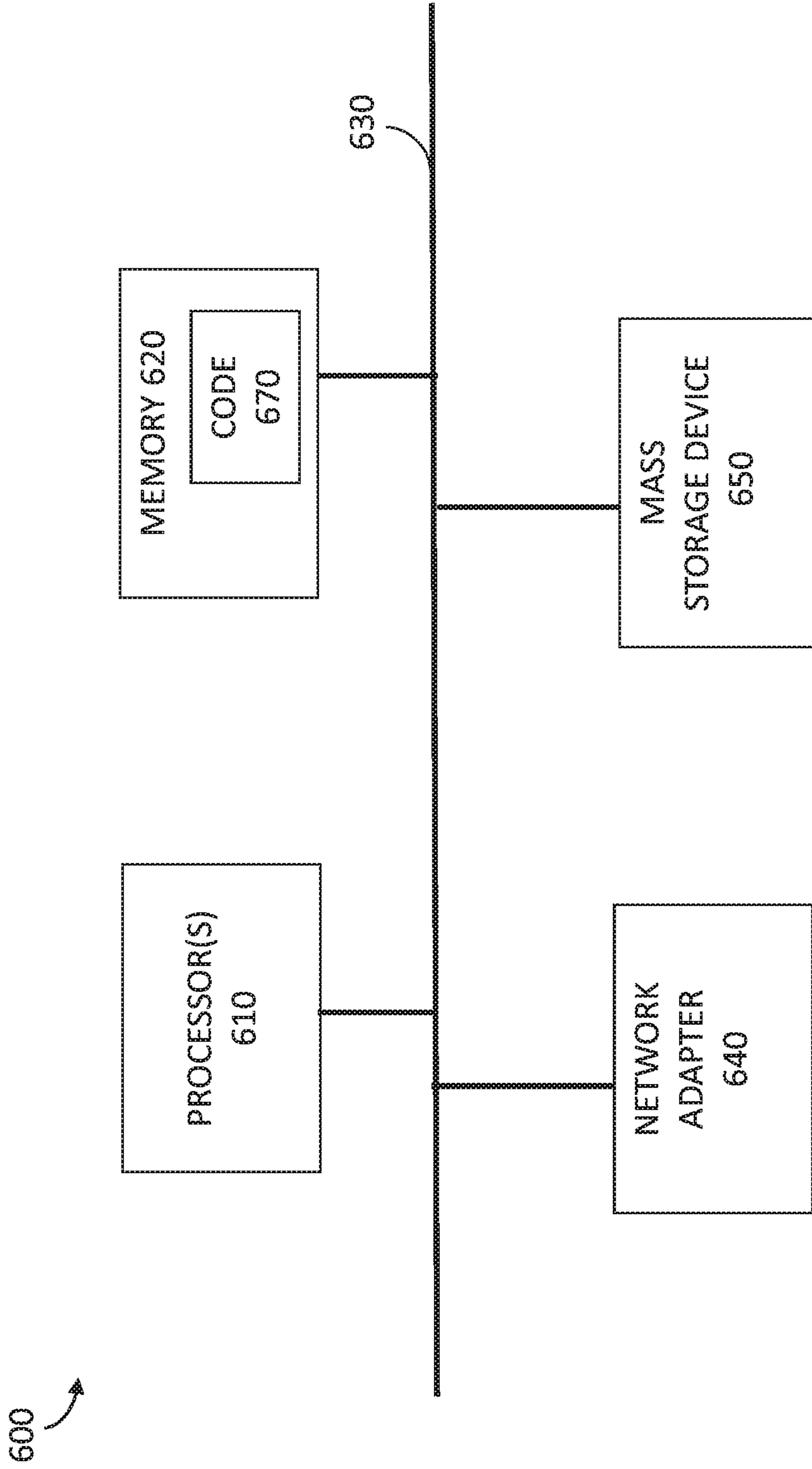


FIG. 6

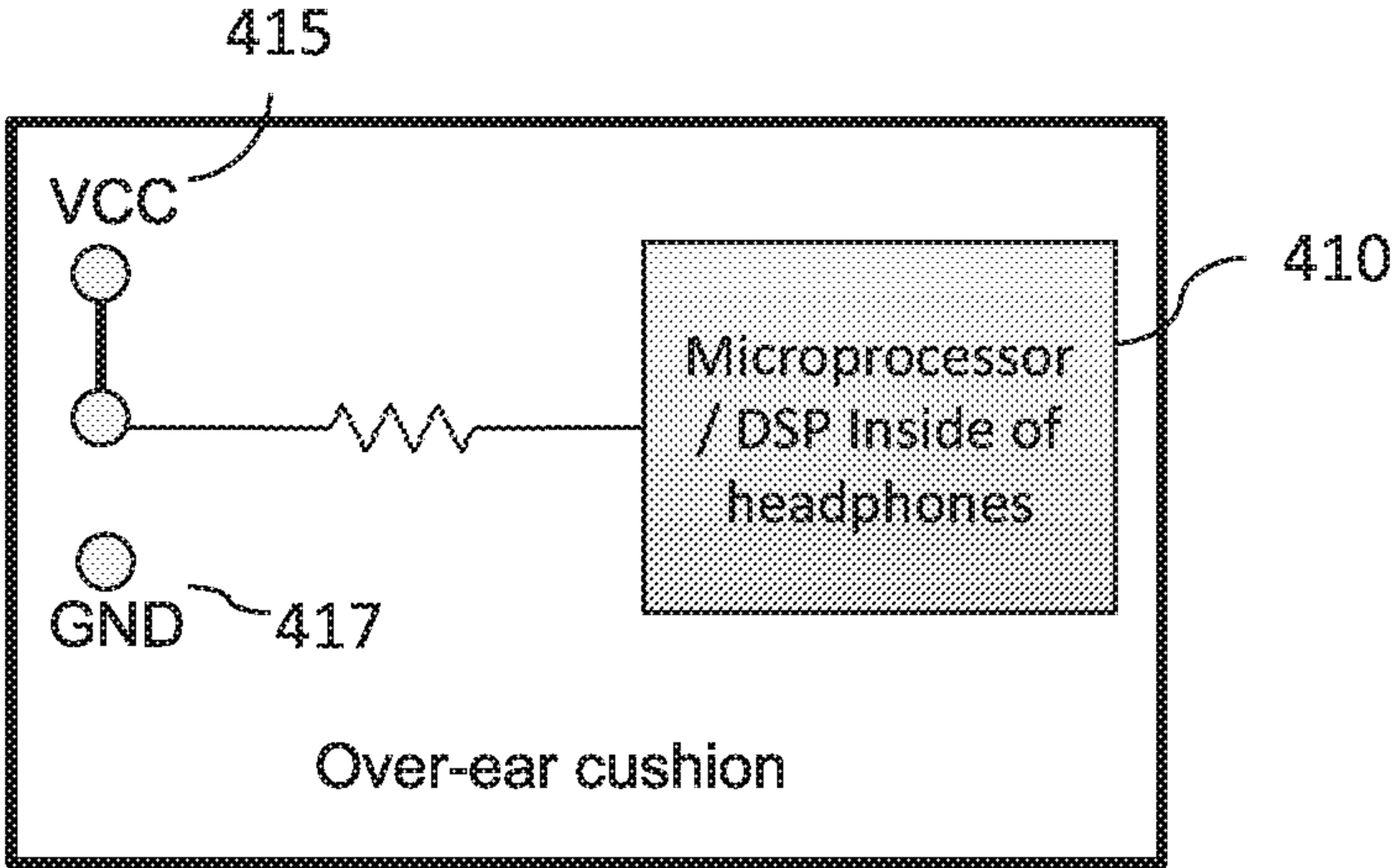


FIG. 4A