



US00D335260S

**United States Patent** [19]  
**Choi**

[11] **Patent Number: Des. 335,260**  
[45] **Date of Patent: \*\* May 4, 1993**

- [54] **ELECTRONIC THERMOMETER**
- [76] **Inventor: In Y. Choi, 20 Traverse Dr., Norristown, Pa. 19401**
- [\*\*] **Term: 14 Years**
- [21] **Appl. No.: 486,181**
- [22] **Filed: Feb. 28, 1990**
- [52] **U.S. Cl. .... D10/57**
- [58] **Field of Search ..... D10/52, 57, 58, 59, D10/60; D14/225, 227, 229; 374/126, 208, 210**

4,172,384 10/1979 Tamura .  
4,176,556 12/1979 Takenaka .

*Primary Examiner*—Alan P. Douglas  
*Assistant Examiner*—Antoine D. Davis  
*Attorney, Agent, or Firm*—Terry M. Gernstein

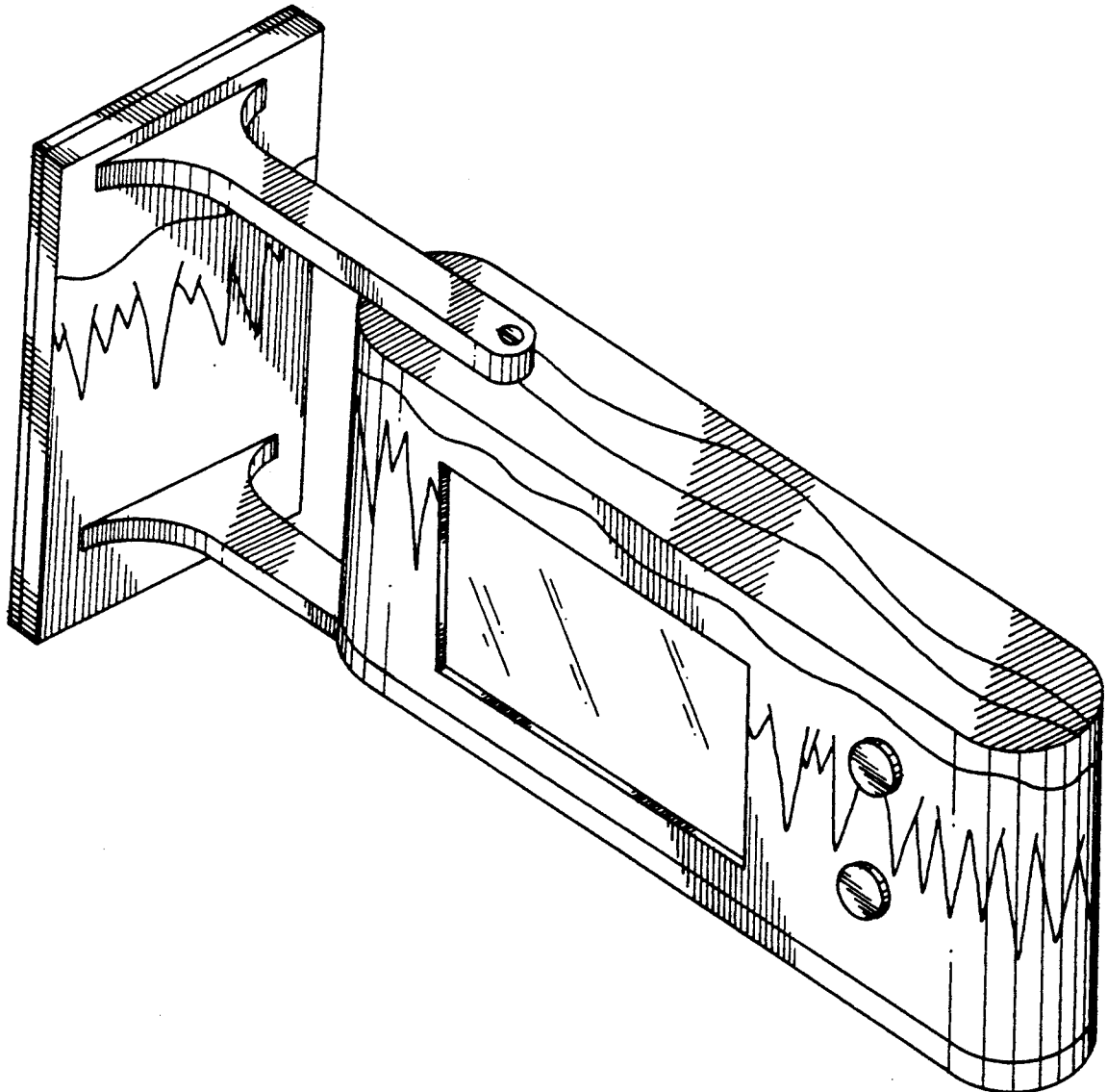
[57] **CLAIM**

The ornamental design for an electronic thermometer, as shown and described.

**DESCRIPTION**

FIG. 1 is a top, front and left side perspective view of an electronic thermometer showing my new design; FIG. 2 is a front elevational view; FIG. 3 is a top plan view; FIG. 4 is a rear elevational view; FIG. 5 is a bottom plan view; FIG. 6 is a right side elevational view; and, FIG. 7 is a left side elevational view thereof.

- [56] **References Cited**
- U.S. PATENT DOCUMENTS**
- D. 171,055 12/1953 Schell, Jr. .... D14/225
- D. 241,948 10/1976 Garner ..... D14/229
- D. 309,266 7/1990 Kaneko ..... D10/6
- 4,164,147 8/1979 Kulwicki .



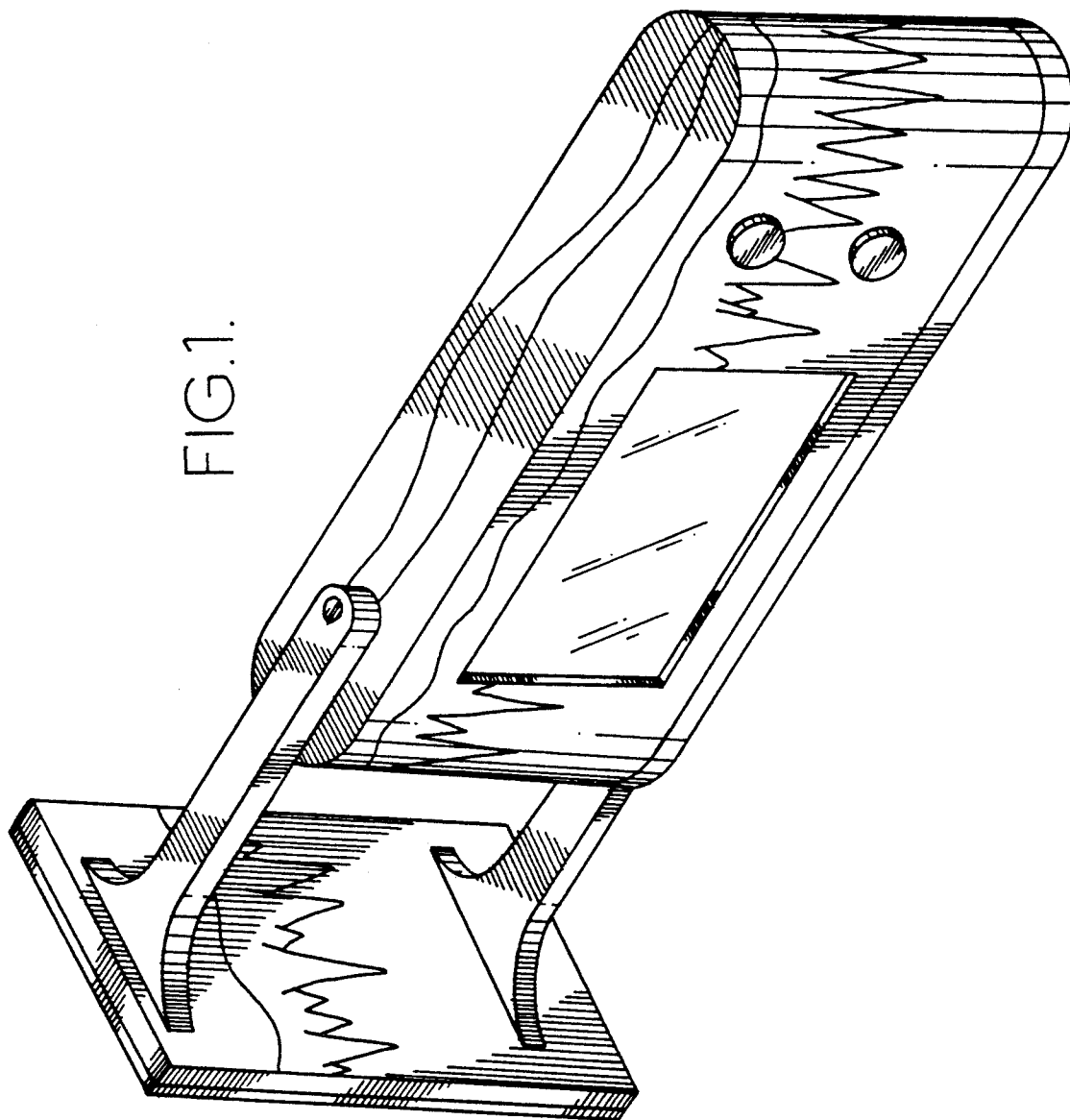


FIG. 1.

FIG. 2.

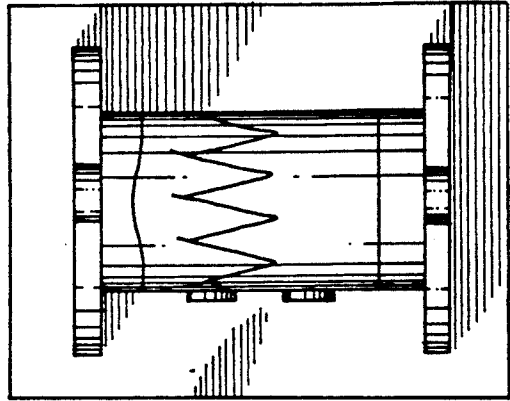
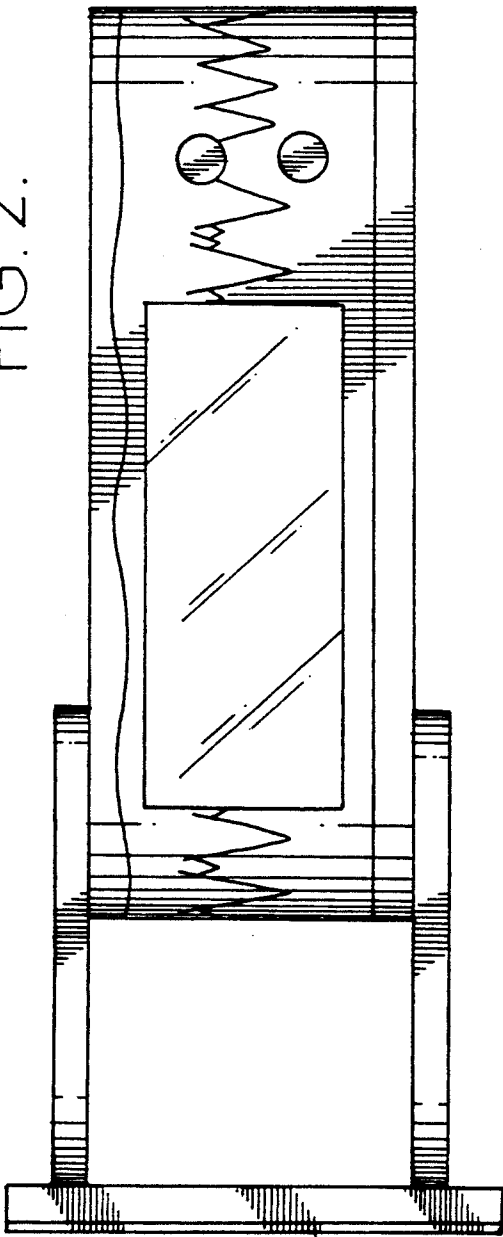


FIG. 3.

FIG. 4.

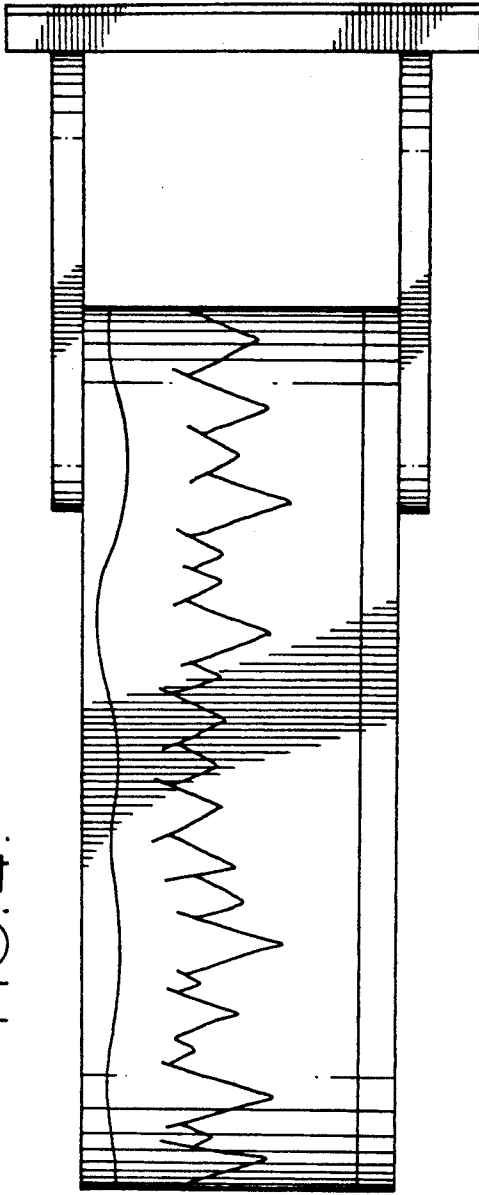


FIG. 5.

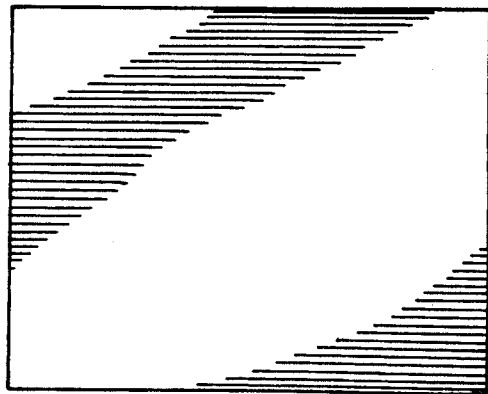


FIG. 6.

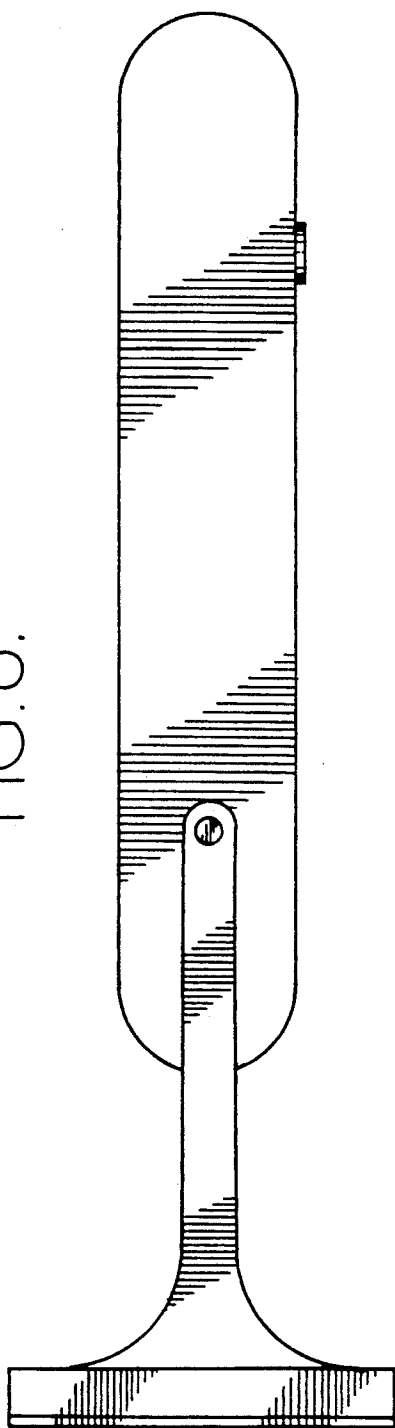


FIG. 7.

