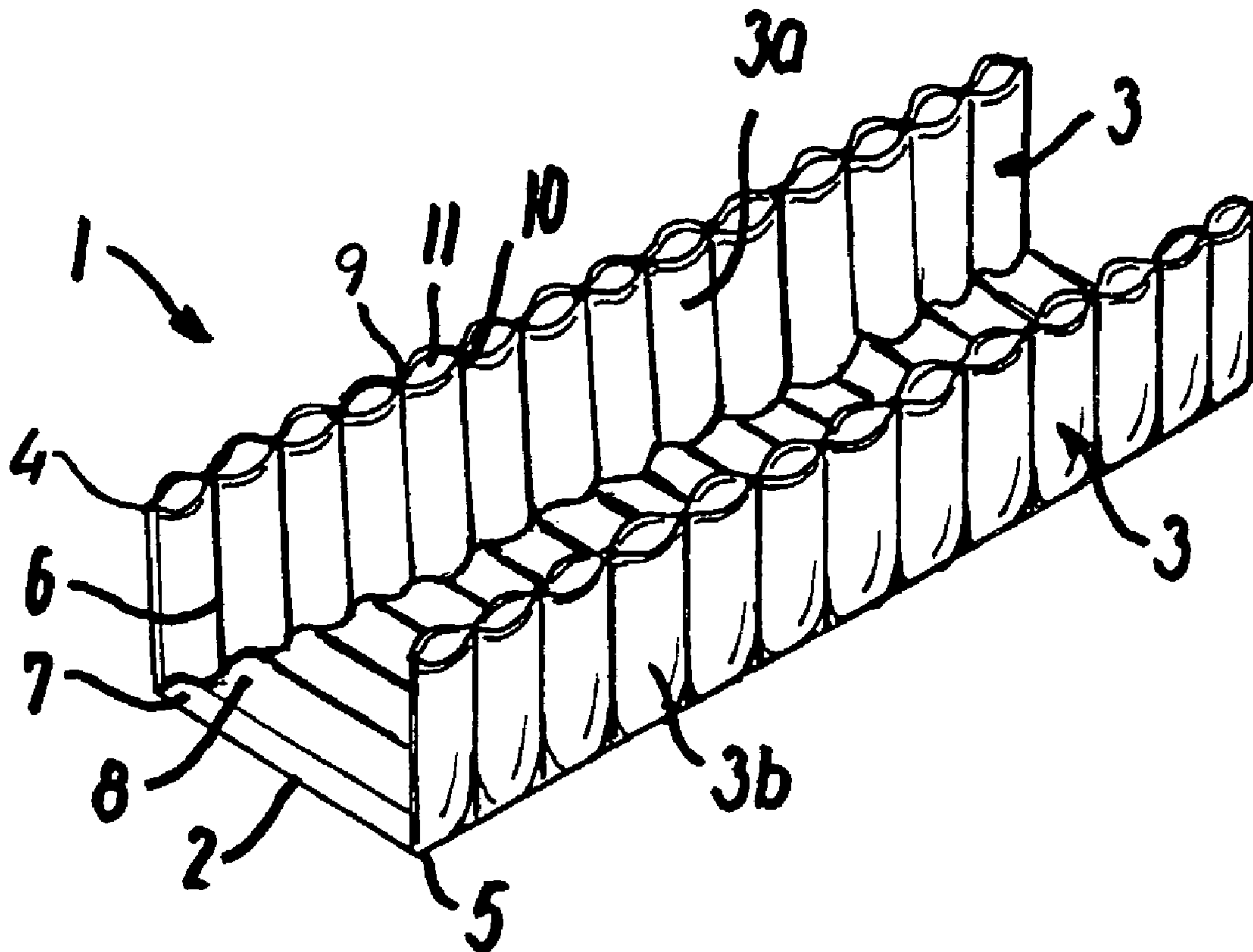




(86) Date de dépôt PCT/PCT Filing Date: 2001/12/20
 (87) Date publication PCT/PCT Publication Date: 2002/06/27
 (45) Date de délivrance/Issue Date: 2009/11/17
 (85) Entrée phase nationale/National Entry: 2003/06/19
 (86) N° demande PCT/PCT Application No.: DK 2001/000854
 (87) N° publication PCT/PCT Publication No.: 2002/050385
 (30) Priorité/Priority: 2000/12/21 (DK PA 2000 01918)

(51) Cl.Int./Int.Cl. *E04C 3/07* (2006.01),
E04C 3/28 (2006.01), *E04G 11/50* (2006.01),
E04G 17/16 (2006.01), *E04C 3/04* (2006.01)
 (72) Inventeur/Inventor:
 DAHL, MORTEN, DK
 (73) Propriétaire/Owner:
 MDT V/MORTEN DAHL, DK
 (74) Agent: BORDEN LADNER GERVAIS LLP

(54) Titre : ELEMENT DE CONSTRUCTION ET SON PROCEDE DE FABRICATION
 (54) Title: STRUCTURAL MEMBER AND A METHOD OF MANUFACTURING SAID MEMBER



(57) Abrégé/Abstract:

The structural member (1) has a generally U-shaped cross-section with a base portion (2) and two leg portions (3) extending at substantially right angles from the base portion. The member comprises at least one thin sheet or foil which is corrugated in a

(57) **Abrégé(suite)/Abstract(continued):**

continuous waveform in the longitudinal direction of the member. Each leg portion (3) includes a first section (3a) forming an inner wall of the leg portion and a second section (3b) parallel with the first section and joining the first section along a first joining line (4) and the base portion along a second joining line (5). The structural member is flexible so that it may conform to a surface to which it is to be fastened, but is after fastening to the surface resistant to bending, torsional, tensile and compressive forces and creates a good base for placement of load-carrying composite material, primarily on the base portion. The material of the structural member is thinner than in other elements of comparable rigidity and strength.

ABSTRACT

The structural member (1) has a generally U-shaped cross-section with a base portion (2) and two leg portions (3) extending at substantially right angles from the base portion. The member comprises at least one thin sheet or foil which is corrugated in a continuous waveform in the longitudinal direction of the member. Each leg portion (3) includes a first section (3a) forming an inner wall of the leg portion and a second section (3b) parallel with the first section and joining the first section along a first joining line (4) and the base portion along a second joining line (5). The structural member is flexible so that it may conform to a surface to which it is to be fastened, but is after fastening to the surface resistant to bending, torsional, tensile and compressive forces and creates a good base for placement of load-carrying composite material, primarily on the base portion. The material of the structural member is thinner than in other elements of comparable rigidity and strength.

Structural member and a method of manufacturing said member.

Field of the invention

5 The present invention relates to a structural member having a generally U-shaped cross-section and a longitudinally extending configuration, comprising a base portion and two leg portions extending at substantially right angles from said base portion, said
10 structural member comprising at least one corrugated portion and each leg portion including a first section forming an inner wall of the leg portion and a second section parallel with said first section and joining the first section along a first joining line and the
15 base portion along a second joining line.

Such structural members are used in a wide field of applications, and their structure and material vary according to the demands made by the particular field.

20 **Disclosure of the prior art**

For instance, international published application No. WO 90/03921 discloses a support member for pallets, comprising a channel having a generally U-shaped cross-section. The support member is manufactured from
25 flat sheets of metal, such as steel or aluminium. In order to increase the stiffness of the support member, ribs are pressed into the base and side panels at regular intervals along the length of the support member. The support member disclosed in this document
30 presents good load-bearing properties combined with a relatively low weight.

In other fields of application, it is not only the load-bearing capacity which is important. In order to avoid dimensional stability problems in thin-walled structures such as shell-shaped tools or moulds, or other structures such as boat hulls or aircraft parts, it is well known to provide such structures with reinforcing or stiffening elements. These elements may comprise eg. steel pipes or bars, or profiles having any cross-section, of which rather short parts are welded together in order to adjust the reinforcing or stiffening elements to the shape of structure which may often have a non-planar surface, eg. a surface of double curvature.

From the field of moulding plastic or composite materials, it is known to provide the backside of the tool or mould face with a reinforcing stiffener in the form of a flexible spiral square tube of fibre glass or graphite cloth which is conformed to the shape of the shell to be reinforced and subsequently covered by a mat of glass fibre and subjected to autoclave treatment. However, the flexible tube is relatively expensive and difficult to handle.

US patent No. 3,301,582 discloses a structural element of the kind mentioned in the introduction. This element comprises a surface in the base portion with an obliquely inclined corrugation, surrounded by plane sections. This entails that the flexibility of the element is adversely affected.

EP application No. 0866196 discloses a ground-beam shutter formed by a folded section of corrugated material. The shutter is intended to be placed in a trench and be supported by backfilling the trench.

Summary of the invention

It is the object of the invention to provide a structural element which is easy to handle and adjust
5 to the desired shape, and which at the same time is stable in its position of use.

To achieve this, the structural member according to the invention is characterized in that said structural member is formed integrally from at least one
10 thin sheet or foil which is corrugated in a continuous waveform in the longitudinal direction of the member; and that the corrugations on the outer side of the structural member are partly cut in the area of the first joining line.

15 By forming the U-shaped structural member integrally from a thin sheet or foil of corrugated material and by the provision of the double-walled leg portions, the structural member is flexible so that it may conform to the surface to which it is to be
20 fastened, but is after fastening to the surface resistant to bending, torsional, tensile and compressive forces and creates a good base for placement of load-carrying composite material, primarily on the base portion. The corrugated structure makes it possible
25 to use a material having a substantially reduced thickness in relation to other elements having corresponding properties with respect to rigidity and strength, thus providing a lightweight product. By cutting the corrugations on the outer side of the
30 structural member partly in the area of the first joining line, deformations in the area of the second joining line are prevented or at least diminished. In

addition to preventing or diminishing the deformations in this area during manufacture, partly cutting the corrugations in the area of the first joining line results in a connection between the first and
5 second sections in the form of portions surrounding a gap, which in turn entails that the leg portions substantially retain their overall shape in the longitudinal direction of the structural member when the structural member is e.g. conformed to a surface, and
10 that a stable abutment on the surface is achieved.

In a preferred embodiment, the corrugations of each first section are interlocked with the corrugations of the base portion in the area of said second joining line. The interlocking corrugations between
15 the double-walled leg portions and the base portion provide a security against unintentional release of the sections of the leg portions.

In order to facilitate the manufacture of the member and to improve the retention of the inner leg
20 section, a groove may be formed in the area of said second joining line on the inner side of the structural member.

The structural member may comprise at least one foil or sheet of metal or plastic material or a combination thereof.
25

Preferably, the structural member comprises at least one foil or sheet of aluminium or an aluminium alloy.

The thickness of the sheet or foil of the structural member may lie in the range of 0.01 - 0.5 mm.
30

The first and second sections of the leg portion may be adhesively connected to each other. By the ad-

4a

hesive connection between the leg sections, an improved securing between these sections is achieved.

In another aspect of the invention a method of manufacturing a structural member is provided, comprising the steps of folding a first section of at least one length of a corrugated sheet or foil material corresponding to said first section of the leg
5 portion along said first joining line substantially 180° to abut a second section of said at least one length of material corresponding to said second section of the leg portion, and folding said first and
10 second sections along said second joining line substantially 90°, the corrugations on a second side of said at least one length of material corresponding to the outer side of said structural member being partly cut in the area of the first joining line prior to
15 said first folding step.

Advantageous embodiments of the method are the subject of dependent claims 9 to 13.

Brief description of the drawings

20 In the following the invention will be described in further detail with reference to the schematic drawings, in which

Fig. 1 is a perspective view of a structural member in an embodiment of the invention;

25 Fig. 2 is a perspective view of the structural member of Fig. 1 but in an unfolded condition;

Fig. 3 is a perspective view of two structural members mounted on a surface;

Fig. 4 is an end view on a larger scale of a structural member according to the invention, carrying a separate joining element;

Fig. 5 is a view corresponding to Fig. 4 of two structural members joined by the separate joining element; and

Fig. 6 is a diagrammatic presentation of a method of manufacturing the structural member according to the invention.

10

Detailed description

The generally U-shaped structural member 1 as shown in Fig. 1 comprises a base portion 2 and two leg portions 3 extending at substantially right angles from the base portion 2. Each leg portion 3 is double-walled and comprises a first section 3a which forms the inner wall and a second section 3b which forms the outer wall of the leg portion 3.

The structural member 1 is formed integrally from at least one sheet or foil of any suitable plastic or metal material, or a combination thereof. The thickness of the sheet or foil lies in the range of 0.01 to 0.5 mm, an example being an aluminium foil having a thickness of 0.1 mm. The material of the sheet or foil depends on the intended field of use of the structural member. In applications, in which the thermal properties such as thermal conductivity is desirable a metal sheet or foil material is preferred. Furthermore, two or more foils or sheets, possibly of different materials, may be positioned on top of each other in order to provide a laminate, and

20
25
30

a coating of a type known *per se* may be provided on one or both sides of the sheet(s) or foil(s). The dimensions of the structural member 1 may vary as well, typical examples being a width of approx. 45 mm and a height of approx. 28 mm for a member made from an aluminium foil of a thickness of 0.1 mm. However, the width, height and thickness may be varied according to the application of the structural member, preferably by maintaining the height-width ratio.

From the unfolded condition of the structural member 1 shown in Fig. 2, it may be seen that in order to achieve the folded condition of the structural member shown in Fig. 1, the first section 3a of each leg portion 3 is folded along a first folding or joining line 4 (dashed line) in a folding operation of substantially 180°. Subsequently, the first and the second sections 3a, 3b are folded along a second folding or joining line 5 (dash-dot line) in a second folding operation of substantially 90°. In the embodiment shown, it is assured during this second folding operation that the corrugations of the first section 3a are positioned in an interlocking relationship with the corrugations of the base portion 2 in the transitional area between each first section 3a and the base portion 2, ie. in the area of each second joining line 5, that is, the wave crests 6 of the first section 3a are positioned in the wave troughs between successive wave crests 7, 8 of the base portion 2. As an alternative or as a supplemental security against unintentional release between the first and second sections 3a, 3b of the leg por-

tion, these sections may be adhesively connected to each other by means of a double-sided self-adhesive tape or any suitable adhesive.

The structural member 1 may furthermore be provided with a groove (not shown) extending along each second folding line 5 on the upper side of the member as shown in Fig. 2. This groove contributes to an improved locking effect between the leg portions 3 and the base portion 2 and facilitates the second folding operation. During this operation, the outer side of the base portion 2 is flattened so that it may constitute a good base for placement of load-carrying composite material.

During manufacture, the under side of the member as shown in Fig. 2 is furthermore cut along each first folding line 4 such that the wave crests are cut in this area and the first section 3a and the second section 3b are thus only connected with each other in the portions shown by 9 and 10 in Fig. 1, these portions 9, 10 thus surrounding a gap 11. It is to be noted that the terms defining the orientation of the structural member are used only to define the relative positions of any of the elements. The invention is not limited to any particular orientation of the structural member during use or manufacture.

The structural member 1 may now be connected with a structure to be reinforced or in order to provide eg. heating or ventilation. The structural member 1 may furthermore be connected with other similar elements by separate joining profiles of a suitable material.

In Fig. 3 an example of a position of use is shown, in which 100 designates a surface of a structure which in the following will be described as a substantially shell-shaped mould defining the surface of a product to be moulded, the surface 100 thus being the back side of the mould. The product may comprise such articles as aircraft parts, boat and ship hulls, windmill rotors etc., but any other products are conceivable. Alternatively, the structural members according to the invention may in the shape of reinforcing struts or stringers form part of the reinforcing structure of such a product, or form part of the mould itself as will be explained in further detail in the following.

A first structural member 1 is placed on the surface 100 in the desired position and is fastened to the surface 100, either by means of an adhesive material, or by a separate joining profile as indicated in Fig. 4.

The adhesive material preferably comprises the same matrix material, ie. resin and curing agent, as the surface 100. That is, in the case of a mould of glass-fibre reinforced polyester, a polyester is used as adhesive material, and in the case of a mould of glass-fibre or carbon-fibre reinforced epoxy, an epoxy based adhesive is used. It is also conceivable to use the same material in the mould and as the adhesive. In order to improve the attachment of the structural member 1 on the surface 100, a strip of fleece or breather material moistened by eg. polyester or epoxy may be placed on top of the surface at

least under the leg portions of the structural member. Hereby, a secure attachment of the structural member 1 to the surface 100 is assured, even if the surface comprises irregularities and, at the same time, an improved retention of the leg portions of the structural member on the surface 100 is assured during the positioning of the structural member on the surface. Subsequently, a second structural member 1' is positioned on the surface 100. In the area of the intersection between the first and second structural members 1 and 1', an area corresponding to width of the structural member 1 is cut away in each leg portion 3' of the second structural member 1' such that the base portion 2' of the second structural member 1' overlaps the base portion 2 of the first structural member 1 in the area of intersection. Preferably, the cut-away area is slightly smaller than the width of the member so that the material in the base portion is stretched to remove the corrugations. Other structural members may now be fastened to the surface 100 in substantially the same manner. Due to the flexibility of the member, the structural members may be positioned along substantially any curvilinear course, and the members may be positioned in eg. a T-shaped or Y-shaped configuration. Subsequent to the fastening of the desired number of structural members according to the invention in any configuration, the structural members and the surface may be covered by eg. a mat of glass fibre.

As shown in Fig. 4, a separate joining profile having a substantially H-shaped cross-section may

be mounted on each leg portion of the structural member in order to provide an alternative manner of attachment. The joining profile 50 may be made from a thermoplastic material, such as eg. polypropylene, which is connected with each leg portion 3 of the structural member 1 by heating the thermoplastic material to its melting point and subsequent cooling. The structural member 1 and the joining profile 50 are placed in the desired position and the thermoplastic material of the joining profile is heated locally to its melting point, following which the structural member 1 and the joining profile 50 are pressed against the surface 100. This heating operation may be performed by means of a fan heater or by any other suitable heating means. Alternatively, the entire structural member 1 including the joining profile 50 is heated to above the melting temperature of the thermoplastic material and is subsequently placed and pressed against the surface 100 in a single operation.

The same joining profile 50 may as shown in Fig. 5 be used for joining two structural members 1 and 1", which are connected to each other by using the welding the profile 50 to the opposite leg portions of each of the structural members 1 and 1" in substantially the same manner as described in the above. The element comprising the two structural members 1, 1" and the joining profiles 50 may be manually deformed by bending in the vertical plane in Fig. 5, whereas the element is relatively rigid in a direction perpendicular to that plane. Due to its self-

supporting properties, this element may now form part of the framework for lay-up of composite materials.

Manufacture of the structural member 1 may be carried out as shown diagrammatically in Fig. 6, in which the sheet or foil material is unwound from a coil 13 and subjected to a rolling operation at A to provide a length of material which is corrugated in a continuous waveform. The exact shape, pitch and height of the corrugations may be varied. Subsequently, the corrugations are partly cut in the area of the first joining line 4 at B by means of a cutting tool and an abutment in the shape of an endless belt of an elastic material, and the groove along the second joining line 5 is formed at C by means of a pair of rollers (not shown) which press against the length of material which also in this position is supported by an endless elastic belt. By a number of guides (not shown), which may be in the form of a number of rollers or rails, at D and E, the corrugated metal sheet or foil is folded and the corrugations of each first section 3a are positioned between the corrugations of the base portion 2. At F the now U-shaped metal sheet or foil may be cut into appropriate lengths to form a number of structural members 1 according to the invention, typical values of the length of the members being in the range of 500 to 3000 mm. In case the first and second sections of each leg portion 3 are to be adhesively connected with each other, a double-sided self-adhesive tape is placed on the first or second section before the rolling operation at A or, alternatively, a suitable

adhesive is applied on the wave crests of the first and/or second section following this rolling operation.

In addition to or as an alternative to imparting
5 rigidity or increased stability to eg. a hollow structure, such a member may have other purposes. For instance, a plurality of structural members according to the invention may be used as an alternative to
10 honeycomb or other sandwich-shaped structures for heating purposes by allowing a heated fluid to flow through the passages provided by the members. Moreover, the hollow space defined between the structural member and an underlying surface or in the interspace between two joined structural members as shown in
15 Fig. 5 may be used for eg. wiring.

It is furthermore noted that the term "at substantially right angles", as used in connection with the position of the leg portions with respect to the base portion, as well as the statement "substantially
20 90°" in connection with the final folding step should be interpreted as comprising a suitable interval.

The invention should not be regarded as being limited to the embodiments described in the above but various modifications and combinations of the shown embodiments may be carried out without departing from the scope of the following claims.

CLAIMS:

1. A structural member having a generally U-shaped cross-section and a longitudinally extending configuration, comprising a base portion and two leg portions extending at substantially right angles from said base portion, each leg portion including a first section forming an inner wall of the leg portion and a second section parallel with said first section and joining the first section along a first joining line and the base portion along a second joining line, said structural member being formed integrally from at least one thin sheet or foil which is corrugated in a continuous waveform in the longitudinal direction of the member; and that the corrugations on the outer side of the structural member being partly cut in the area of the first joining line.
2. The structural member as defined in claim 1, wherein the corrugations of each first section are interlocked with the corrugations of the base portion in the area of said second joining line.
3. The structural member as defined in claim 1 or 2, wherein a groove is formed in the area of said second joining line on the inner side of the structural member.
4. The structural member as defined in any one of claims 1 to 3, wherein the structural member comprises at least one foil or sheet of metal, plastic, or a combination of metal and plastic.
5. The structural member as defined in claim 4, wherein the structural member comprises at least one foil or sheet made of aluminum or an aluminum alloy.
6. The structural member as defined in any one of claims 1 to 5, wherein said at least one sheet or foil has a thickness lying in the range of 0.01 – 0.5 mm.
7. The structural member as defined in any one of claims 1 to 6, wherein the first and second sections of the leg portion are adhesively connected to each other.

8. A method of manufacturing a structural member as defined in any one of claims 1 to 7, comprising the steps of:

folding a first section of at least one length of a corrugated sheet or foil material corresponding to said first section of the leg portion along said first joining line substantially 180° to abut a second section of said at least one length of material corresponding to said second section of the leg portion; and

folding said first and second sections along said second joining line substantially 90°;

the corrugations on a second side of said at least one length of material corresponding to the outer side of said structural member being partly cut in the area of the first joining line prior to said first folding step.

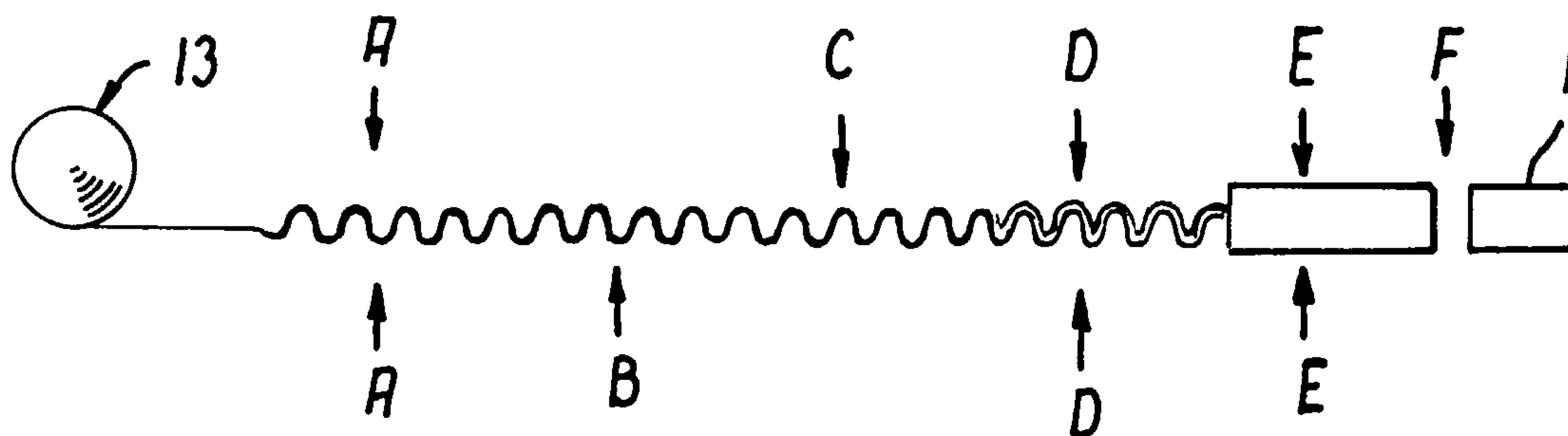
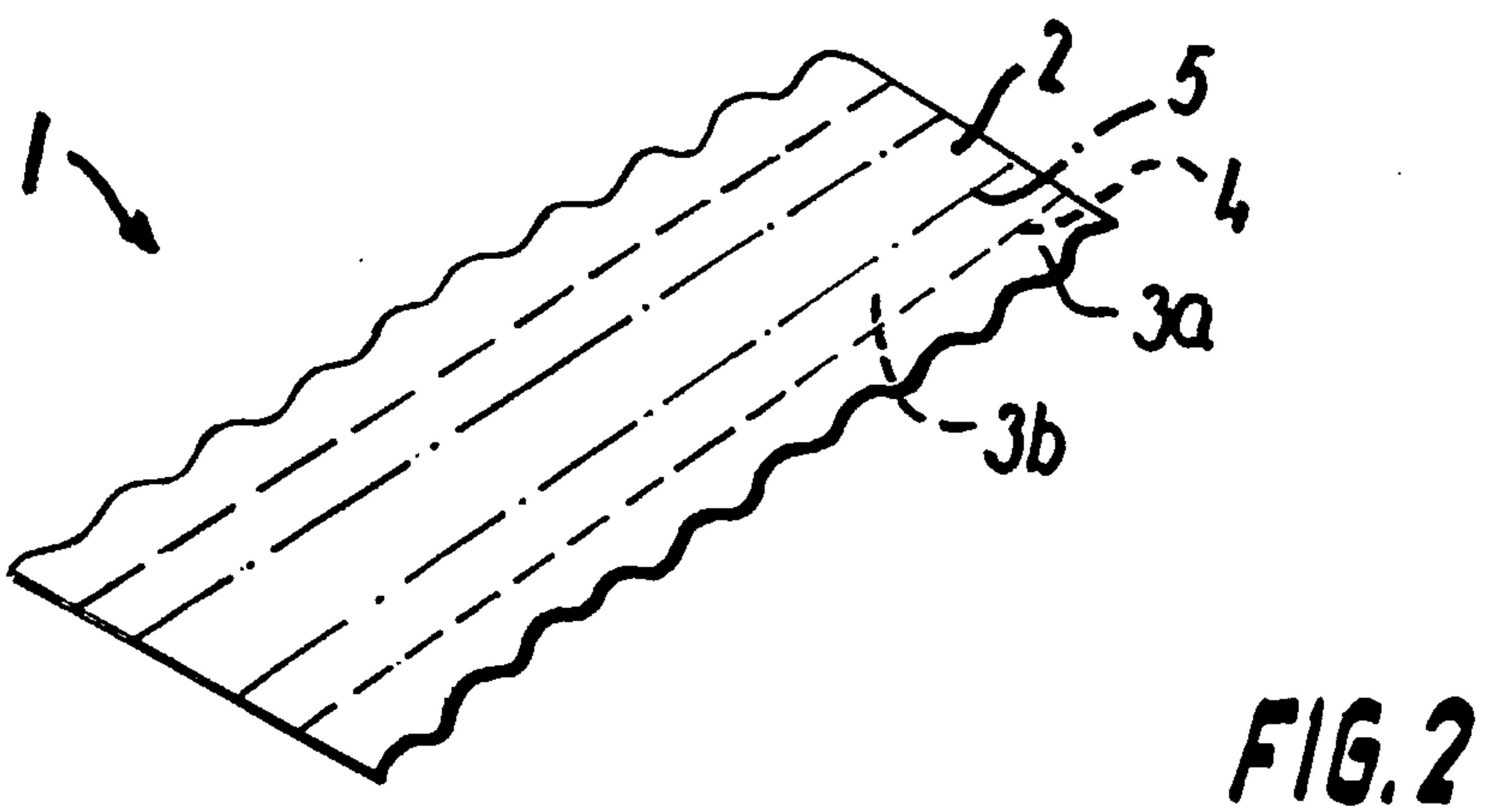
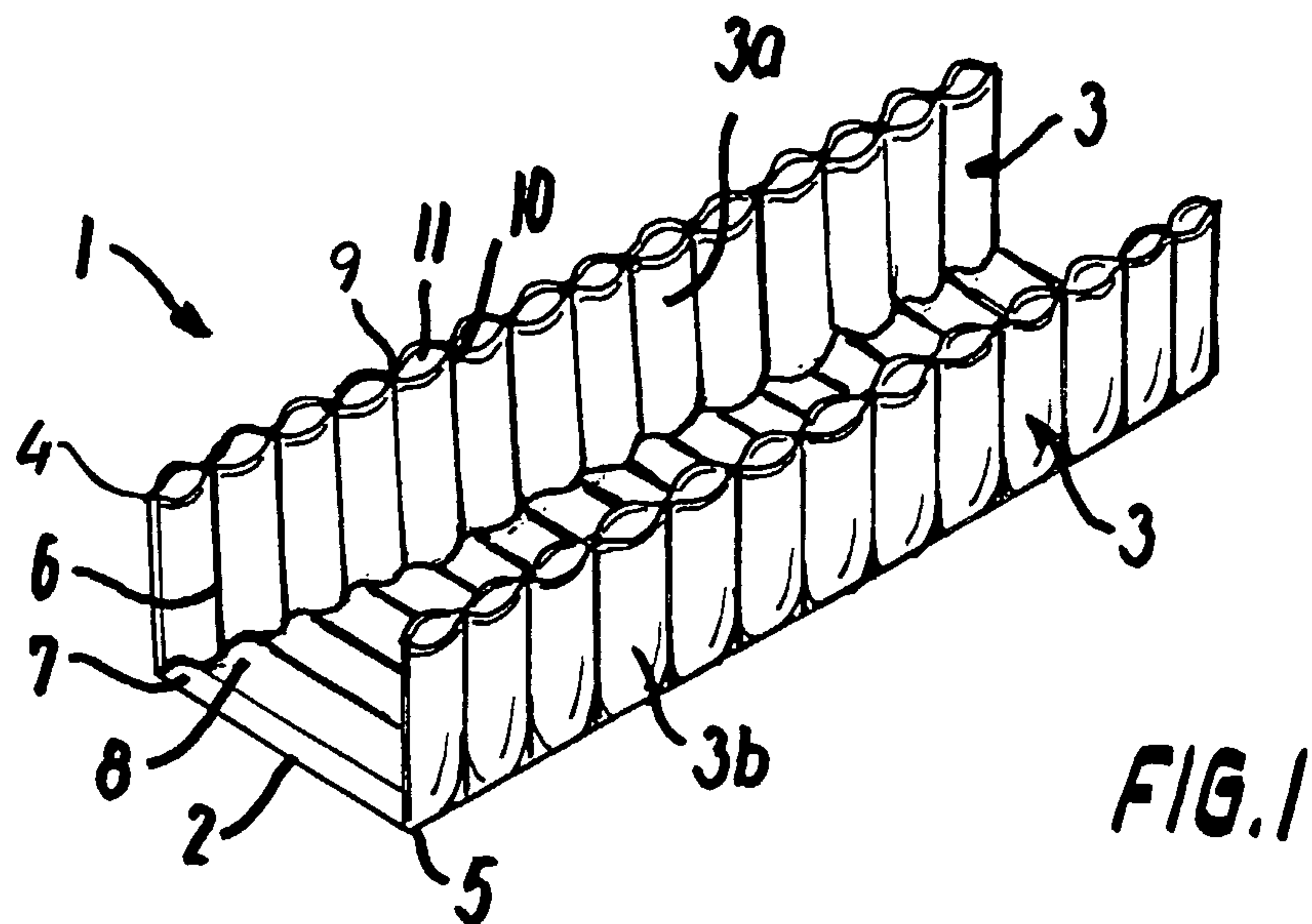
9. The method as defined in claim 8, wherein during said final folding step the corrugations of said first section of the leg portion are positioned in interlocking relationship with the corrugations of the base portion in the area of the second joining line.

10. The method as defined in claim 8 or 9, wherein prior to said first folding step a groove is formed on a first side of said at least one length of material corresponding to the inner side of said structural member in the area of said second joining line.

11. The method as defined in any one of claims 8 to 10, wherein said corrugated material is formed by corrugating at least one plane sheet or foil in a continuous waveform.

12. The method as defined in any one of claims 8 to 11, wherein prior to said final folding step, the first and second sections are adhesively connected with each other.

13. The method as defined in any one of claims 8 to 12, wherein following said positioning step, the at least one corrugated and folded length of material is cut into appropriate lengths to form a number of structural members.



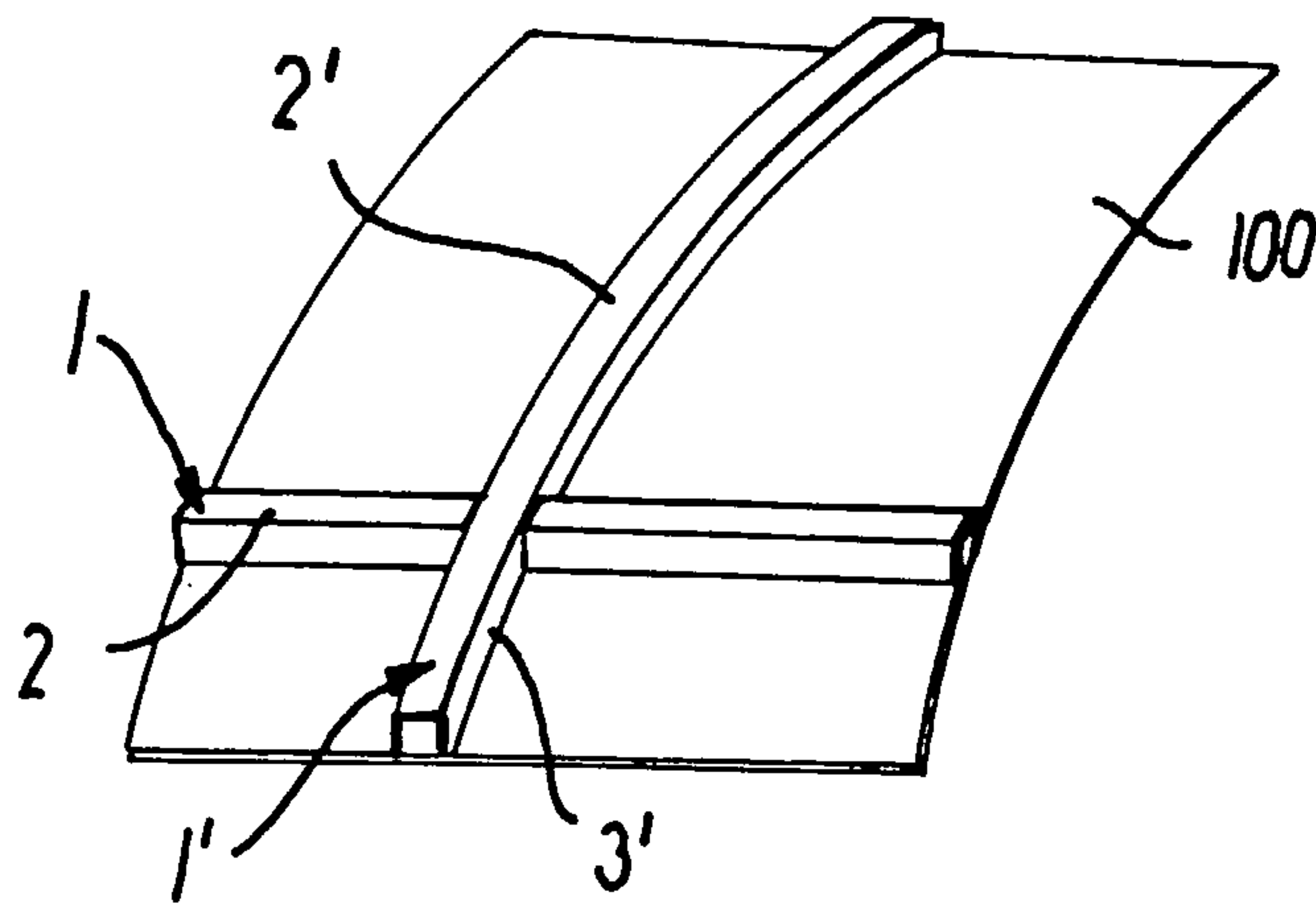


FIG. 3

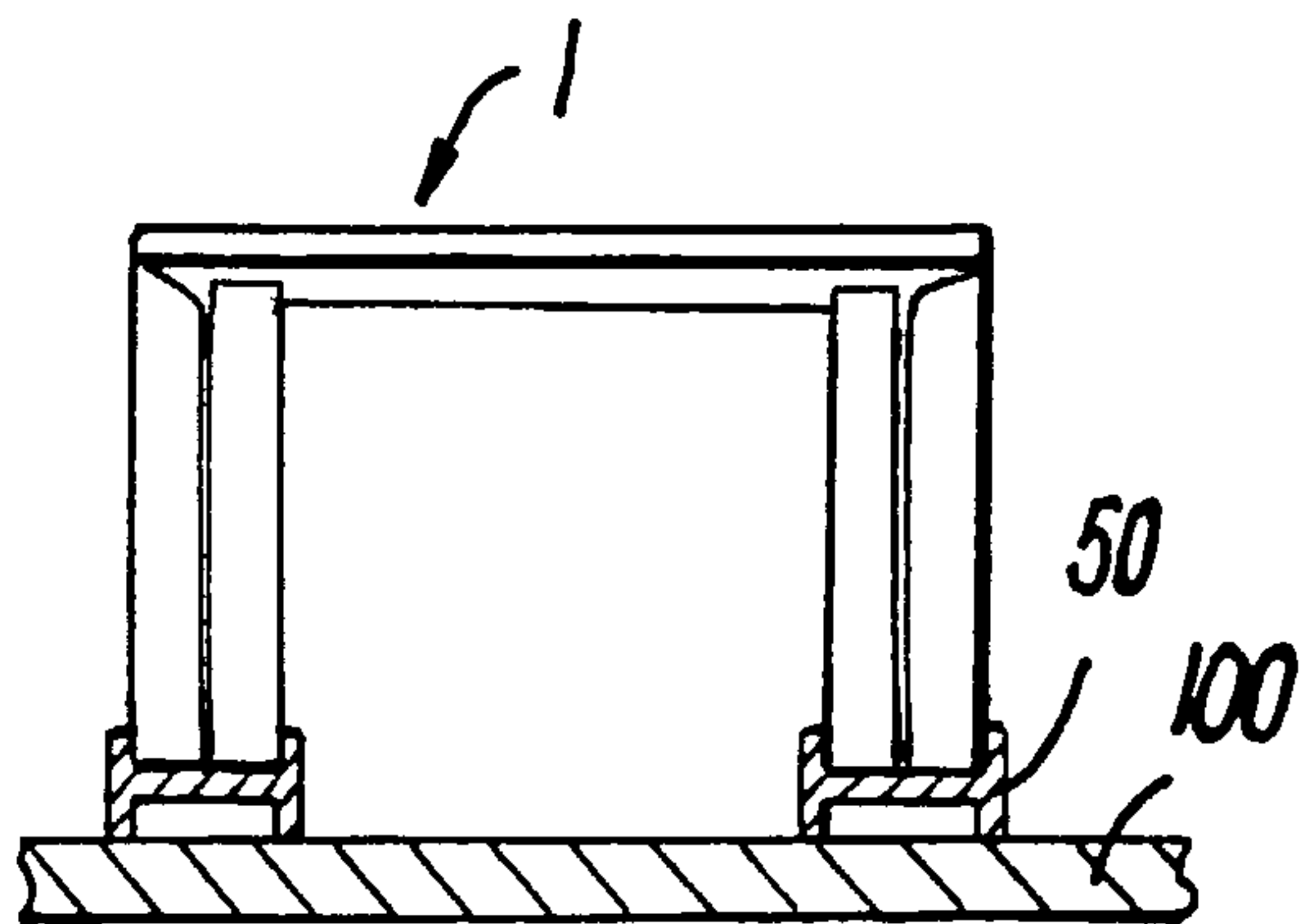


FIG. 4

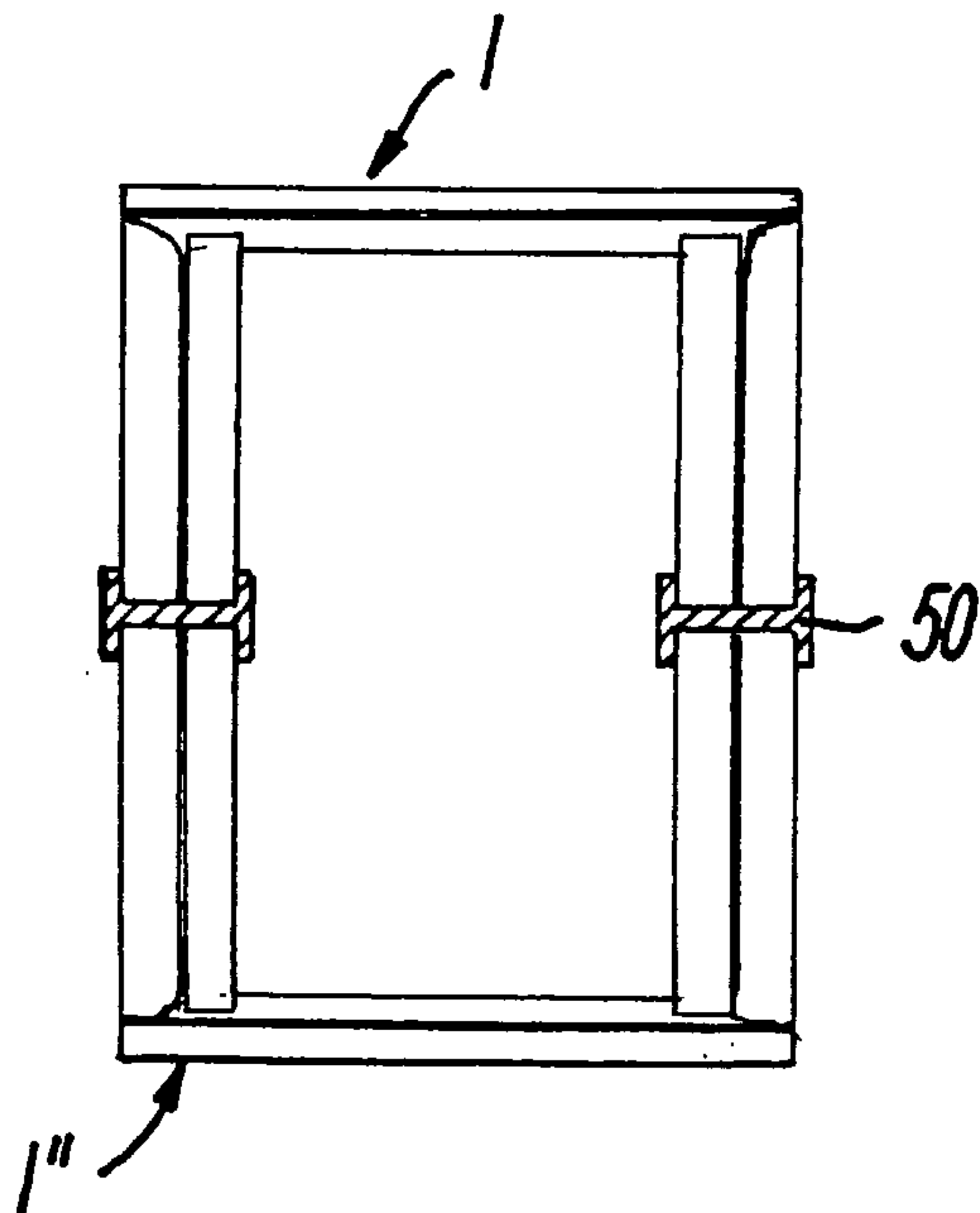


FIG. 5

