

(19) World Intellectual Property Organization
International Bureau



(43) International Publication Date
2 May 2008 (02.05.2008)

PCT

(10) International Publication Number
WO 2008/051581 A2

(51) International Patent Classification:
H04L 29/06 (2006.01)

(21) International Application Number:
PCT/US2007/022583

(22) International Filing Date: 25 October 2007 (25.10.2007)

(25) Filing Language: English

(26) Publication Language: English

(30) Priority Data:
11/586,860 26 October 2006 (26.10.2006) US

(71) Applicant (for all designated States except US): **MARVELL WORLD TRADE LTD.** [BB/BB]; L'Horizon Gun-site Road, 14027 Brittons Hill, St. Michael (BB).

(72) Inventor; and

(75) Inventor/Applicant (for US only): **ARMSTRONG, Alan** [US/US]; 604 Castle Lane, Los Altos, CA 94022 (US).

(74) Agents: **WIGGINS, Michael D.** et al.; Harness, Dickey & Pierce, P.L.C., P.o. Box 828, Bloomfield Hills, MI 48303 (US).

(81) Designated States (unless otherwise indicated, for every kind of national protection available): AE, AG, AL, AM,

AT, AU, AZ, BA, BB, BG, BH, BR, BW, BY, BZ, CA, CH, CN, CO, CR, CU, CZ, DE, DK, DM, DO, DZ, EC, EE, EG, ES, FI, GB, GD, GE, GH, GM, GT, HN, HR, HU, ID, IL, IN, IS, JP, KE, KG, KM, KN, KP, KR, KZ, LA, LC, LK, LR, LS, LT, LU, LY, MA, MD, ME, MG, MK, MN, MW, MX, MY, MZ, NA, NG, NI, NO, NZ, OM, PG, PH, PL, PT, RO, RS, RU, SC, SD, SE, SG, SK, SL, SM, SV, SY, TJ, TM, TN, TR, TT, TZ, UA, UG, US, UZ, VC, VN, ZA, ZM, ZW.

(84) Designated States (unless otherwise indicated, for every kind of regional protection available): ARIPO (BW, GH, GM, KE, LS, MW, MZ, NA, SD, SL, SZ, TZ, UG, ZM, ZW), Eurasian (AM, AZ, BY, KG, KZ, MD, RU, TJ, TM), European (AT, BE, BG, CH, CY, CZ, DE, DK, EE, ES, FI, FR, GB, GR, HU, IE, IS, IT, LT, LU, LV, MC, MT, NL, PL, PT, RO, SE, SI, SK, TR), OAPI (BF, BJ, CF, CG, CI, CM, GA, GN, GQ, GW, ML, MR, NE, SN, TD, TG).

Declarations under Rule 4.17:

- as to applicant's entitlement to apply for and be granted a patent (Rule 4.17(ii))
- as to the applicant's entitlement to claim the priority of the earlier application (Rule 4.17(iii))

Published:

- without international search report and to be republished upon receipt of that report



WO 2008/051581 A2

(54) Title: SECURE VIDEO DISTRIBUTION

(57) Abstract: Apparatus having corresponding methods, business methods, and computer programs comprises an input circuit to receive packets of encrypted encoded video data from a network; a storage device to store the encrypted encoded video data; a retrieve circuit to retrieve the encrypted encoded video data from the storage device; a decrypt circuit to decrypt the encrypted encoded video data into encoded video data while the retrieve circuit retrieves the encrypted encoded video data from the storage device; and an output circuit to transmit a signal representing the encoded video data while the decrypt circuit decrypts the encrypted encoded video data.

Secure Video Distribution

Inventor: **Alan Armstrong**

BACKGROUND

[0001] The present invention relates generally to data communications. More particularly, the present invention relates to secure video distribution.

SUMMARY

[0002] In general, in one aspect, the invention features an apparatus comprising: an input circuit to receive packets of encrypted encoded video data from a network; a storage device to store the encrypted encoded video data; a retrieve circuit to retrieve the encrypted encoded video data from the storage device; a decrypt circuit to decrypt the encrypted encoded video data into encoded video data while the retrieve circuit retrieves the encrypted encoded video data from the storage device; and an output circuit to transmit a signal representing the encoded video data while the decrypt circuit decrypts the encrypted encoded video data.

[0003] In some embodiments, the packets of encrypted encoded video data comprise Internet Protocol packets of the encrypted encoded video data. In some embodiments, the packets of encrypted encoded video data comprise Ethernet packets of the encrypted encoded video data. In some embodiments, the storage device does not store any substantial portion of the encoded video data. In some embodiments, the video data represents one or more videos, the apparatus further comprising: a queue circuit to determine a number of the videos stored on the storage device; and a further output circuit to transmit a message to the network, the message representing the number of the videos stored on the storage device. Some embodiments comprise a control circuit to receive a command to discard one of the videos stored on the storage device; wherein the storage device discards the one of the videos in response to the control circuit; wherein the queue circuit then determines the current number of the videos stored on the storage device; and wherein the further output circuit then transmits a message to the network, the message representing the current number of the videos stored on the storage device. In some embodiments, the network comprises the Internet. Some embodiments comprise a further input circuit to receive the signal representing the encoded video data; a decode circuit to decode the encoded video data into video data while the further input circuit receives the signal

representing the encoded video data; and a further output circuit to output a multimedia signal representing the video data while the decode circuit decodes the encoded video data. In some embodiments, the apparatus does not store any substantial portion of the video data or the encoded video data. In some embodiments, the multimedia signal comprises a high-definition television signal. Some embodiments comprise a first network port to receive the packets of encrypted encoded video data and first other data from the network, and to transmit second other data to the network; a second network port to transmit the first other data to a local network, and to receive the second other data from the local network; and a switch to pass the packets of encrypted encoded video data from the first network port to the input circuit, and to pass the first and second other data between the first and second network ports. In some embodiments, the first network port receives first voice data and transmits second voice data, further comprising: an analog telephone interface to transmit first analog telephone signals representing the first voice data, and to receive second analog telephone signals representing the second voice data; wherein the switch passes the first and second voice data between the first network port and the analog telephone interface. In some embodiments, the signal representing the encoded video data is a wireless signal which is compliant with at least one standard selected from the group consisting of IEEE standards 802.11, 802.11a, 802.11b, 802.11g, 802.11n, 802.16, and 802.20.

[0004] In general, in one aspect, the invention features an apparatus comprising: input means for receiving packets of encrypted encoded video data from a network; storage means for storing the encrypted encoded video data; retrieve means for retrieving the encrypted encoded video data from the storage means; decrypt means for decrypting the encrypted encoded video data into encoded video data while the retrieve means retrieves the encrypted encoded video data from the storage means; and output means for transmitting a signal representing the encoded video data while the decrypt means decrypts the encrypted encoded video data.

[0005] In some embodiments, the packets of encrypted encoded video data comprise Internet Protocol packets of the encrypted encoded video data. In some embodiments, the packets of encrypted encoded video data comprise Ethernet packets of the encrypted encoded video data. In some embodiments, the storage means does not store any substantial portion of the encoded video data. In some embodiments, the video data represents one or more videos, the apparatus further comprising: queue means for determining a number of the videos stored on the

storage means; and further output means for transmitting a message to the network, the message representing the number of the videos stored on the storage means. Some embodiments comprise control means for receiving a command to discard one of the videos stored on the storage means; wherein the storage means discards the one of the videos in response to the control means; wherein the queue means then determines the current number of the videos stored on the storage means; and wherein the further output means then transmits a message to the network, the message representing the current number of the videos stored on the storage means. In some embodiments, the network comprises the Internet. Some embodiments comprise further input means for receiving the signal representing the encoded video data; decode means for decoding the encoded video data into video data while the further input means receives the signal representing the encoded video data; and further output means for outputting a multimedia signal representing the video data while the decode means decodes the encoded video data. In some embodiments, the apparatus does not store any substantial portion of the video data or the encoded video data. In some embodiments, the multimedia signal comprises a high-definition television signal. Some embodiments comprise first network port means for receiving the packets of encrypted encoded video data and first other data from the network, and for transmitting second other data to the network; second network port means for transmitting the first other data to a local network, and for receiving the second other data from the local network; and switch means for passing the packets of encrypted encoded video data from the first network port means to the input means, and for passing the first and second other data between the first and second network port means. In some embodiments, the first network port means receives first voice data and transmits second voice data, further comprising: analog telephone interface means for transmitting first analog telephone signals representing the first voice data, and for receiving second analog telephone signals representing the second voice data; wherein the switch means passes the first and second voice data between the first network port means and the analog telephone interface means. In some embodiments, the signal representing the encoded video data is a wireless signal which is compliant with at least one standard selected from the group consisting of IEEE standards 802.11, 802.11a, 802.11b, 802.11g, 802.11n, 802.16, and 802.20.

[0006]

In general, in one aspect, the invention features a method comprising: receiving packets of encrypted encoded video data from a network; storing the encrypted encoded video data on a storage device; retrieving the encrypted

encoded video data from the storage device; decrypting the encrypted encoded video data into encoded video data while retrieving the encrypted encoded video data from the storage device; and transmitting a signal representing the encoded video data while decrypting the encrypted encoded video data.

[0007] In some embodiments, the packets of encrypted encoded video data comprise Internet Protocol packets of the encrypted encoded video data. In some embodiments, the packets of encrypted encoded video data comprise Ethernet packets of the encrypted encoded video data. In some embodiments, the storage device does not store any substantial portion of the encoded video data. In some embodiments, the video data represents one or more videos, further comprising: determining a number of the videos stored on the storage device; and transmitting a message to the network, the message representing the number of the videos stored on the storage device. Some embodiments comprise receiving a command to discard one of the videos stored on the storage device; discarding the one of the videos in response to the command; determining the current number of the videos stored on the storage device; and transmitting a message to the network, the message representing the current number of the videos stored on the storage device. In some embodiments, the network comprises the Internet. Some embodiments comprise receiving the signal representing the encoded video data; decoding the encoded video data into video data while receiving the signal representing the encoded video data; and outputting a multimedia signal representing the video data while decoding the encoded video data. In some embodiments, the multimedia signal comprises a high-definition television signal. Some embodiments comprise receiving the packets of encrypted encoded video data and first other data from the network; transmitting second other data to the network; transmitting the first other data to a local network; receiving the second other data from the local network; passing the packets of encrypted encoded video data to the storage device; and passing the first and second other data between the network and the local network. Some embodiments comprise receiving first voice data from the network; transmitting second voice data to the network; transmitting first analog telephone signals representing the first voice data; and receiving second analog telephone signals representing the second voice data. In some embodiments, the signal representing the encoded video data is a wireless signal which is compliant with at least one standard selected from the group consisting of IEEE standards 802.11, 802.11a, 802.11b, 802.11g, 802.11n, 802.16, and 802.20.

[0008] In general, in one aspect, the invention features a computer program executable on a processor, comprising: instructions for storing encrypted encoded video data on a storage device, wherein the encrypted encoded video data is received in packets from a network; instructions for retrieving the encrypted encoded video data from the storage device; and instructions for decrypting the encrypted encoded video data into encoded video data while retrieving the encrypted encoded video data from the storage device; wherein a signal representing the encoded video data is transmitted while decrypting the encrypted encoded video data.

[0009] In some embodiments, the packets of encrypted encoded video data comprise Internet Protocol packets of the encrypted encoded video data. In some embodiments, the packets of encrypted encoded video data comprise Ethernet packets of the encrypted encoded video data. In some embodiments, the storage device does not store any substantial portion of the encoded video data. In some embodiments, the video data represents one or more videos, further comprising: determining a number of the videos stored on the storage device; and transmitting a message to the network, the message representing the number of the videos stored on the storage device. Some embodiments comprise instructions for discarding one of the videos stored on the storage device in response to a received command to discard the one of the videos; instructions for determining the current number of the videos stored on the storage device; and instructions for transmitting a message to the network, the message representing the current number of the videos stored on the storage device. In some embodiments, the network comprises the Internet. Some embodiments comprise instructions for decoding the encoded video data into video data while receiving the signal representing the encoded video data; wherein a multimedia signal representing the video data is outputted while decoding the encoded video data. In some embodiments, the multimedia signal comprises a high-definition television signal. In some embodiments, the signal representing the encoded video data is a wireless signal which is compliant with at least one standard selected from the group consisting of IEEE standards 802.11, 802.11a, 802.11b, 802.11g, 802.11n, 802.16, and 802.20.

[0010] In general, in one aspect, the invention features an apparatus comprising: an input circuit to receive packets of encrypted encoded video data from a network; a storage device to store the encrypted encoded video data; a retrieve circuit to retrieve the encrypted encoded video data from the storage device; and an output circuit to transmit a signal representing the encrypted encoded video

data while the retrieve circuit retrieves the encrypted encoded video data from the storage device.

[0011] In some embodiments, the packets of encrypted encoded video data comprise Internet Protocol packets of the encrypted encoded video data. In some embodiments, the packets of encrypted encoded video data comprise Ethernet packets of the encrypted encoded video data. In some embodiments, the video data represents one or more videos, the apparatus further comprising: a queue circuit to determine a number of the videos stored on the storage device; and a further output circuit to transmit a message to the network, the message representing the number of the videos stored on the storage device. Some embodiments comprise a control circuit to receive a command to discard one of the videos stored on the storage device; wherein the storage device discards the one of the videos in response to the control circuit; wherein the queue circuit then determines the current number of the videos stored on the storage device; and wherein the further output circuit then transmits a message to the network, the message representing the current number of the videos stored on the storage device. In some embodiments, the network comprises the Internet. Some embodiments comprise a further input circuit to receive the signal representing the encrypted encoded video data; a decrypt circuit to decrypt the encrypted encoded video data into encoded video data while the further input circuit receives the signal representing the encrypted encoded video data; a decode circuit to decode the encoded video data into video data while the decrypt circuit decrypts the encoded video data; and a further output circuit to output a multimedia signal representing the video data while the decode circuit decodes the encoded video data. In some embodiments, the apparatus does not store any substantial portion of the video data or the encoded video data. In some embodiments, the multimedia signal comprises a high-definition television signal. Some embodiments comprise a first network port to receive the packets of encrypted encoded video data and first other data from the network, and to transmit second other data to the network; a second network port to transmit the first other data to a local network, and to receive the second other data from the local network; and a switch to pass the packets of encrypted encoded video data from the first network port to the input circuit, and to pass the first and second other data between the first and second network ports. In some embodiments, the first network port receives first voice data and transmits second voice data, the apparatus further comprising: an analog telephone interface to transmit first analog telephone signals representing the first voice data, and to receive second

analog telephone signals representing the second voice data; wherein the switch passes the first and second voice data between the first network port and the analog telephone interface. In some embodiments, the signal representing the encrypted encoded video data is a wireless signal which is compliant with at least one standard selected from the group consisting of IEEE standards 802.11, 802.11a, 802.11b, 802.11g, 802.11n, 802.16, and 802.20.

[0012] In general, in one aspect, the invention features an apparatus comprising: input means for receiving packets of encrypted encoded video data from a network; storage means for storing the encrypted encoded video data; retrieve means for retrieving the encrypted encoded video data from the storage means; and output means for transmitting a signal representing the encrypted encoded video data while the retrieve means retrieves the encrypted encoded video data from the storage means.

[0013] In some embodiments, the packets of encrypted encoded video data comprise Internet Protocol packets of the encrypted encoded video data. In some embodiments, the packets of encrypted encoded video data comprise Ethernet packets of the encrypted encoded video data. In some embodiments, the video data represents one or more videos, further comprising: queue means for determining a number of the videos stored on the storage means; and further output means for transmitting a message to the network, the message representing the number of the videos stored on the storage means. Some embodiments comprise control means for receiving a command to discard one of the videos stored on the storage means; wherein the storage means discards the one of the videos in response to the control means; wherein the queue means then determines the current number of the videos stored on the storage means; and wherein the further output means then transmits a message to the network, the message representing the current number of the videos stored on the storage means. In some embodiments, the network comprises the Internet. Some embodiments comprise further input means for receiving the signal representing the encrypted encoded video data; decrypt means for decrypting the encrypted encoded video data into encoded video data while the further input means receives the signal representing the encrypted encoded video data; decode means for decoding the encoded video data into video data while the decrypt means decrypts the encoded video data; and further output means for outputting a multimedia signal representing the video data while the decode means decodes the encoded video data. In some embodiments, the apparatus does not store any substantial portion of the video data or the encoded video data. In some

embodiments, the multimedia signal comprises a high-definition television signal. Some embodiments comprise first network port means for receiving the packets of encrypted encoded video data and first other data from the network, and for transmitting second other data to the network; second network port means for transmitting the first other data to a local network, and for receiving the second other data from the local network; and switch means for passing the packets of encrypted encoded video data from the first network port means to the input means, and for passing the first and second other data between the first and second network port means. In some embodiments, the first network port means receives first voice data and transmits second voice data, further comprising: analog telephone interface means for transmitting first analog telephone signals representing the first voice data, and for receiving second analog telephone signals representing the second voice data; wherein the switch means passes the first and second voice data between the first network port means and the analog telephone interface means. In some embodiments, the signal representing the encrypted encoded video data is a wireless signal which is compliant with at least one standard selected from the group consisting of IEEE standards 802.11, 802.11a, 802.11b, 802.11g, 802.11n, 802.16, and 802.20.

[0014] In general, in one aspect, the invention features a method comprising: receiving packets of encrypted encoded video data from a network; storing the encrypted encoded video data on a storage device; retrieving the encrypted encoded video data from the storage device; and transmitting a signal representing the encrypted encoded video data while retrieving the encrypted encoded video data from the storage device.

[0015] In some embodiments, the packets of encrypted encoded video data comprise Internet Protocol packets of the encrypted encoded video data. In some embodiments, the packets of encrypted encoded video data comprise Ethernet packets of the encrypted encoded video data. In some embodiments, the video data represents one or more videos, the method further comprising: determining a number of the videos stored on the storage device; and transmitting a message to the network, the message representing the number of the videos stored on the storage device. Some embodiments comprise receiving a command to discard one of the videos stored on the storage device; discarding the one of the videos in response to the command; determining the current number of the videos stored on the storage device; and transmitting a message to the network, the message representing the current number of the videos stored on the storage device. In some embodiments, the network comprises the Internet. Some embodiments

comprise receiving the signal representing the encrypted encoded video data; decrypting the encrypted encoded video data into encoded video data while receiving the signal representing the encrypted encoded video data; decoding the encoded video data into video data while decrypting the encoded video data; and outputting a multimedia signal representing the video data while decoding the encoded video data. In some embodiments, the multimedia signal comprises a high-definition television signal. Some embodiments comprise receiving the packets of encrypted encoded video data and first other data from the network; transmitting second other data to the network; transmitting the first other data to a local network; receiving the second other data from the local network; passing the packets of encrypted encoded video data from network to the storage device; and passing the first and second other data between the network and the local network. Some embodiments comprise receiving first voice data from the network; transmitting second voice data to the network; transmitting first analog telephone signals representing the first voice data; and receiving second analog telephone signals representing the second voice data. In some embodiments, the signal representing the encoded video data is a wireless signal which is compliant with at least one standard selected from the group consisting of IEEE standards 802.11, 802.11a, 802.11b, 802.11g, 802.11n, 802.16, and 802.20.

[0016] In general, in one aspect, the invention features a computer program executable on a processor, comprising: instructions for storing encrypted encoded video data on a storage device, wherein the encrypted encoded video data is received in packets from a network; and instructions for retrieving the encrypted encoded video data from the storage device; and wherein a signal representing the encrypted encoded video data is transmitted while retrieving the encrypted encoded video data from the storage device.

[0017] In some embodiments, the packets of encrypted encoded video data comprise Internet Protocol packets of the encrypted encoded video data. In some embodiments, the packets of encrypted encoded video data comprise Ethernet packets of the encrypted encoded video data. Some embodiments comprise, wherein the video data represents one or more videos, instructions for determining a number of the videos stored on the storage device; and instructions for transmitting a message to the network, the message representing the number of the videos stored on the storage device. Some embodiments comprise instructions for discarding one of the videos stored on the storage device in response to a received command; instructions for determining the current number of the videos stored on the storage device; and instructions for transmitting a

message to the network, the message representing the current number of the videos stored on the storage device. In some embodiments, the network comprises the Internet. Some embodiments comprise instructions for decrypting the encrypted encoded video data into encoded video data while receiving a signal representing the encrypted encoded video data; and instructions for decoding the encoded video data into video data while decrypting the encoded video data; wherein a multimedia signal representing the video data is outputted while decoding the encoded video data. In some embodiments, the multimedia signal comprises a high-definition television signal. In some embodiments, the signal representing the encoded video data is a wireless signal which is compliant with at least one standard selected from the group consisting of IEEE standards 802.11, 802.11a, 802.11b, 802.11g, 802.11n, 802.16, and 802.20.

[0018] In general, in one aspect, the invention features an apparatus comprising: an input circuit to receive packets of encrypted encoded video data from a network; a storage device to store the encrypted encoded video data; a retrieve circuit to retrieve the encrypted encoded video data from the storage device; a decrypt circuit to decrypt the encrypted encoded video data into encoded video data while the retrieve circuit retrieves the encrypted encoded video data from the storage device; a decode circuit to decode the encoded video data into video data while the decrypt circuit decrypts the encrypted encoded video data; and an output circuit to output a multimedia signal representing the video data while the decode circuit decodes the encoded video data.

[0019] In some embodiments, the packets of encrypted encoded video data comprise Internet Protocol packets of the encrypted encoded video data. In some embodiments, the packets of encrypted encoded video data comprise Ethernet packets of the encrypted encoded video data. In some embodiments, the storage device does not store any substantial portion of the encoded video data or the video data. Some embodiments comprise, wherein the video data represents one or more videos, a queue circuit to determine a number of the videos stored on the storage device; and a further output circuit to transmit a message to the network, the message representing the number of the videos stored on the storage device. Some embodiments comprise a control circuit to receive a command to discard one of the videos stored on the storage device; wherein the storage device discards the one of the videos in response to the control circuit; wherein the queue circuit then determines the current number of the videos stored on the storage device; and wherein the further output circuit then transmits a message to the network, the message representing the current number of the videos stored on

the storage device. In some embodiments, the network comprises the Internet. In some embodiments, the multimedia signal comprises a high-definition television signal. Some embodiments comprise a first network port to receive the packets of encrypted encoded video data and first other data from the network, and to transmit second other data to the network; a second network port to transmit the first other data to a local network, and to receive the second other data from the local network; and a switch to pass the packets of encrypted encoded video data from the first network port to the input circuit, and to pass the first and second other data between the first and second network ports. Some embodiments comprise, wherein the first network port receives first voice data and transmits second voice data, an analog telephone interface to transmit first analog telephone signals representing the first voice data, and to receive second analog telephone signals representing the second voice data; wherein the switch passes the first and second voice data between the first network port and the analog telephone interface.

[0020] In general, in one aspect, the invention features an apparatus comprising: input means for receiving packets of encrypted encoded video data from a network; storage means for storing the encrypted encoded video data; retrieve means for retrieving the encrypted encoded video data from the storage means; decrypt means for decrypting the encrypted encoded video data into encoded video data while the retrieve means retrieves the encrypted encoded video data from the storage means; decode means for decoding the encoded video data into video data while the decrypt means decrypts the encrypted encoded video data; and output means for outputting a multimedia signal representing the video data while the decode means decodes the encoded video data.

[0021] In some embodiments, the packets of encrypted encoded video data comprise Internet Protocol packets of the encrypted encoded video data. In some embodiments, the packets of encrypted encoded video data comprise Ethernet packets of the encrypted encoded video data. In some embodiments, the storage means does not store any substantial portion of the encoded video data or the video data. Some embodiments comprise, wherein the video data represents one or more videos, queue means for determining a number of the videos stored on the storage means; and further output means for transmitting a message to the network, the message representing the number of the videos stored on the storage means. Some embodiments comprise control means for receiving a command to discard one of the videos stored on the storage means; wherein the storage means discards the one of the videos in response to the control circuit; wherein the

queue means then determines the current number of the videos stored on the storage means; and wherein the further output means then transmits a message to the network, the message representing the current number of the videos stored on the storage means. In some embodiments, the network comprises the Internet. In some embodiments, the multimedia signal comprises a high-definition television signal. Some embodiments comprise first network port means for receiving the packets of encrypted encoded video data and first other data from the network, and for transmitting second other data to the network; second network port means for transmitting the first other data to a local network, and for receiving the second other data from the local network; and switch means for passing the packets of encrypted encoded video data from the first network port means to the input means, and for passing the first and second other data between the first and second network port means. Some embodiments comprise, wherein the first network port means receives first voice data and transmits second voice data, analog telephone interface means for transmitting first analog telephone signals representing the first voice data, and for receiving second analog telephone signals representing the second voice data; wherein the switch means passes the first and second voice data between the first network port means and the analog telephone interface means.

[0022] In general, in one aspect, the invention features a method comprising: receiving packets of encrypted encoded video data from a network; storing the encrypted encoded video data on a storage device; retrieving the encrypted encoded video data from the storage device; decrypting the encrypted encoded video data into encoded video data while retrieving the encrypted encoded video data from the storage device; decoding the encoded video data into video data while decrypting the encrypted encoded video data; and outputting a multimedia signal representing the video data while decoding the encoded video data.

[0023] In some embodiments, the packets of encrypted encoded video data comprise Internet Protocol packets of the encrypted encoded video data. In some embodiments, the packets of encrypted encoded video data comprise Ethernet packets of the encrypted encoded video data. In some embodiments, the storage device does not store any substantial portion of the encoded video data or the video data. Some embodiments comprise, wherein the video data represents one or more videos, determining a number of the videos stored on the storage device; and transmitting a message to the network, the message representing the number of the videos stored on the storage device. Some embodiments comprise receiving a command to discard one of the videos stored on the storage device;

discarding the one of the videos in response to the command; determining the current number of the videos stored on the storage device; and transmitting a message to the network, the message representing the current number of the videos stored on the storage device. In some embodiments, the network comprises the Internet. In some embodiments, the multimedia signal comprises a high-definition television signal. Some embodiments comprise receiving the packets of encrypted encoded video data and first other data from the network; transmitting second other data to the network; transmitting the first other data to a local network; receiving the second other data from the local network; passing the packets of encrypted encoded video data from network to the storage device; and passing the first and second other data between the network and the local network. Some embodiments comprise receiving first voice data from the network; transmitting second voice data to the network; transmitting first analog telephone signals representing the first voice data; and receiving second analog telephone signals representing the second voice data.

[0024]

In general, in one aspect, the invention features a computer program executable on a processor, comprising: instructions for storing encrypted encoded video data on a storage device, wherein the encrypted encoded video data is received in packets from a network; instructions for retrieving the encrypted encoded video data from the storage device; instructions for decrypting the encrypted encoded video data into encoded video data while retrieving the encrypted encoded video data from the storage device; and instructions for decoding the encoded video data into video data while decrypting the encrypted encoded video data; wherein a multimedia signal representing the video data is outputted while decoding the encoded video data.

[0025]

In some embodiments, the packets of encrypted encoded video data comprise Internet Protocol packets of the encrypted encoded video data. In some embodiments, the packets of encrypted encoded video data comprise Ethernet packets of the encrypted encoded video data. In some embodiments, the storage device does not store any substantial portion of the encoded video data or the video data. Some embodiments comprise, wherein the video data represents one or more videos, instructions for determining a number of the videos stored on the storage device; and instructions for transmitting a message to the network, the message representing the number of the videos stored on the storage device. Some embodiments comprise discarding one of the videos stored on the storage device in response to a received command; instructions for determining the current number of the videos stored on the storage device; and instructions for

transmitting a message to the network, the message representing the current number of the videos stored on the storage device. In some embodiments, the network comprises the Internet. In some embodiments, the multimedia signal comprises a high-definition television signal.

[0026] In general, in one aspect, the invention features a business method comprising: providing a list of available encrypted videos; receiving selections of one or more of the encrypted videos from a customer; adding identifiers of the selected encrypted videos to a queue for the customer; receiving an indication of a number of the encrypted videos stored on a storage device associated with the customer; and electronically transmitting one of the encrypted videos having one of the identifiers in the queue to the storage device when the number of the encrypted videos stored on the storage device is less than a predetermined maximum number.

[0027] Some embodiments comprise at least one of: billing the customer at regular intervals; and billing the customer for each of the encrypted videos transmitted to the customer. Some embodiments comprise removing an identifier of the one of the encrypted videos from the queue after transmitting the one of the encrypted videos to the storage device.

[0028] In general, in one aspect, the invention features a computer program executable on a processor, comprising: instructions for providing a list of available encrypted videos; instructions for adding identifiers of one or more of the encrypted videos to a queue for a customer in response to receiving selections of the one or more of the encrypted videos from the customer; and instructions for electronically transmitting one of the encrypted videos having one of the identifiers in the queue to the storage device when the number of the encrypted videos stored on the storage device is less than a predetermined maximum number.

[0029] Some embodiments comprise at least one of: instructions for billing the customer at regular intervals; and instructions for billing the customer for each of the encrypted videos transmitted to the customer. Some embodiments comprise instructions for removing an identifier of the one of the encrypted videos from the queue after transmitting the one of the encrypted videos to the storage device.

[0030] The details of one or more implementations are set forth in the accompanying drawings and the description below. Other features will be apparent from the description and drawings, and from the claims.

DESCRIPTION OF DRAWINGS

[0031] FIG. 1 shows a secure video distribution system comprising a storage unit that transfers encoded video data to a separate set-top unit according to a preferred embodiment of the present invention.

[0032] FIG. 2 shows a business method for the video provider of the secure video distribution system of FIG. 1, and for video providers in any of the other secure video distribution systems described herein, according to a preferred embodiment of the present invention.

[0033] FIG. 3 shows a process for the storage unit and set-top unit of the secure video distribution system of FIG. 1 according to a preferred embodiment of the present invention.

[0034] FIG. 4 shows a secure video distribution system comprising a storage unit that transfers encrypted encoded video data to a separate set-top unit according to a preferred embodiment of the present invention.

[0035] FIG. 5 shows a process for the storage unit and set-top unit of the secure video distribution system of FIG. 4 according to a preferred embodiment of the present invention.

[0036] FIG. 6 shows a secure video distribution system where the storage unit and set-top unit are combined into a single unit according to a preferred embodiment of the present invention.

[0037] FIG. 7 shows a process for the customer unit of the secure video distribution system of FIG. 6 according to a preferred embodiment of the present invention.

[0038] FIGS. 8A-8F show various exemplary implementations of the present invention.

[0039] The leading digit(s) of each reference numeral used in this specification indicates the number of the drawing in which the reference numeral first appears.

DETAILED DESCRIPTION

[0040] Embodiments of the present invention provide secure video distribution for video such as movies, including high-definition videos. The videos are preferably encoded as video data, and are preferably encrypted before distribution. According to some embodiments, packets of the encrypted encoded video data are received by a storage unit at the customer site, where the encrypted

encoded video data is stored on a storage device such as a hard disk drive. When the customer initiates playback of a video stored on the storage device, the encrypted encoded video data is retrieved, decrypted, and transmitted, preferably by a wireless link, to one or more set-top units, which decode the encoded video data and output a multimedia signal for a rendering device such as a television, projector, speaker system, and the like. In some embodiments, the decryption is performed by the set-top unit instead of the storage unit. In still other embodiments, the storage and set-top units are combined as a single customer unit. Preferably none of the units store any substantial portion of the encoded video data or the video data, but store only the encrypted encoded video data to prevent unauthorized duplication and distribution of the video data.

[0041] Embodiments of the present invention provide a business method for secure video distribution. According to the method a video provider provides a list of available encrypted videos, receives selections of the encrypted videos from customers, and adds an identifier of each video selected by customer to a queue for the customer. Each customer is allowed to store a predetermined maximum number of the encrypted videos on a storage device at the customer site. The video provider receives an indication of the number of the encrypted videos stored on each storage device. When the number of the encrypted videos stored on a customer's storage device falls below the customer's predetermined maximum number, for example because the customer has discarded one of the videos, the video provider electronically transmits one of the encrypted videos having an identifier in the customer's queue to the customer's storage device.

[0042] FIG. 1 shows a secure video distribution system 100 comprising a storage unit 104 that transfers encoded video data to a separate set-top unit 108 according to a preferred embodiment of the present invention. Secure video distribution system 100 comprises a video provider 102 in communication with storage unit 104 at a customer site over a network 106 such as the Internet. While some embodiments of the present invention are described according to a client-server distribution model, other embodiments can employ peer-to-peer distribution techniques when a sufficient customer base is present.

[0043] Storage unit 104 communicates with set-top unit 108 over a link 110 that is preferably wireless. Preferably link 110 is compliant with at least one of IEEE standards 802.11, 802.11a, 802.11b, 802.11g, 802.11n, 802.16, and 802.20. In a preferred embodiment, link 110 is a MIMO link compliant with IEEE standard 802.11n. Set-top unit 108 provides a multimedia signal 112 to a television set 114 or one or more other rendering device such as a projector, speaker system, and

the like. Multimedia signal 112 is preferably a high-definition television signal such as a HDMI (High-Definition Multimedia Interface) signal, but can be any sort of signal that carries audio and video information to a rendering device.

[0044] Storage unit 104 comprises a storage device 116 to store encrypted encoded video data received from video provider 102, a retrieve circuit 118 to retrieve the packets of encrypted encoded video data from storage device 116, and a decrypt circuit 120 to decrypt the encrypted encoded video data. Storage unit 104 also comprises a wide-area network (WAN) port 122 comprising an input circuit 124 to receive the encrypted encoded video data from video provider 102 and an output circuit 126 to transmit messages to video provider 102. Storage unit 104 may also comprise an output circuit 128 to transmit a signal representing the encoded video data over link 110. Storage unit 104 may further comprise an input circuit 130 to receive commands, for example commands received by television set 114 from a remote control (not shown) and relayed by set-top unit 108. Storage unit 104 may also comprise a queue circuit 132 to determine a number of the videos stored on storage device 116, and a control circuit 134 to receive and/or execute commands such as commands received by input circuit 130. The number of videos can represent the total number of videos stored on storage device 116, or can indicate a number of videos added to, or deleted from, storage device 116 or the like. The messages transmitted by output circuit 126 to video provider 102 can include messages indicating the number of videos.

[0045] Set-top unit 108 comprises an input circuit 136 to receive the signal representing the encoded video data over link 110, a decode circuit 138 to decode the encoded video data while the input circuit 136 receives the signal representing the encoded video data, and an output circuit 140 to output multimedia signal 112 representing the video data while decode circuit 138 decodes the encoded video data. Preferably neither storage unit 104 nor set-top unit 108 stores any substantial portion of the encoded video data or the video data, but stores only the encrypted encoded video data to prevent unauthorized duplication and distribution of the video data.

[0046] In some embodiments storage unit 104 includes a local-area network (LAN) port 142 and a switch 144 to provide communication between a LAN 146 and network 106, and to provide quality of service for different data flows. According to these embodiments, WAN port 122 receives the packets of encrypted encoded video data from network 106, and exchanges other data with network 106. LAN port 142 exchanges data with LAN 146. Switch 144 passes

the encrypted encoded video data from WAN port 122 to storage device 116, and passes data between WAN port 122 and LAN port 142.

[0047] In some embodiments storage unit 104 includes an analog telephone interface (ATI) 148 and switch 144 to provide voice-over-Internet-Protocol (VOIP) services, and to provide quality of service for different data flows. According to these embodiments, WAN port 122 receives and transmits voice data. Analog telephone interface 148 transmits and receives analog telephone signals representing voice data. Switch 144 passes voice data between the WAN port 122 and analog telephone interface 148.

[0048] Preferably storage device 116 is registered to storage unit 104 according to conventional techniques so that storage device 116 will operate only when installed in storage unit 104 to prevent unauthorized duplication and distribution of the video data. For example, each of storage device 116 and storage unit 104 can include read-only memories that contain codes that are compared by control circuit 134. Of course, other techniques can be used to implement the registration.

[0049] FIG. 2 shows a business method 200 for video provider 102 of secure video distribution system 100, and for video providers in any of the other secure video distribution systems described herein, according to a preferred embodiment of the present invention. Video provider 102 provides a list of available encrypted videos (step 202). Customers review the list and select one or more of the available encrypted videos, for example using television set 114 and set-top unit 108. Video provider 102 receives the selections (step 204).

[0050] Video provider 102 maintains a queue of selected videos for each customer. Each customer can modify the queue, for example by selecting videos, removing videos, or changing the order of the videos in the queue. On receiving a customer selection of a video, video provider 102 adds an identifier of the selected encrypted video to the customer's queue (step 206).

[0051] Preferably each customer is only allowed up to a predetermined maximum number of videos at a time. Video provider 102 receives an indication of a number of the encrypted videos stored on the customer's storage device 116 (step 208). When the number of the encrypted videos is less than the predetermined maximum number (step 210), video provider 102 selects one of the encrypted videos having an identifier in the customer's queue, and electronically transmits the encrypted video to the customer's storage device 116 (step 212). Video provider 102 removes the identifier of the encrypted video from the customer's queue after transmitting the encrypted video (step 214). Video

provider 102 bills the customer for each encrypted video transmitted to the customer (step 216). Alternatively, video provider 102 bills the customer at regular intervals.

[0052] FIG. 3 shows a process 300 for storage unit 104 and set-top unit 108 of secure video distribution system 100 of FIG. 1 according to a preferred embodiment of the present invention. While the steps in FIG. 3 are shown in sequence, the steps preferably overlap substantially in time. Input circuit 124 of WAN port 122 in storage unit 104 receives packets of encrypted encoded video data from network 106 (step 302). In various embodiments, the video data represents one or more videos provided by video provider 102. The packets of encrypted encoded video data can include Internet Protocol packets of the encrypted encoded video data, Ethernet packets of the encrypted encoded video data, and the like.

[0053] Storage device 116 of storage unit 104 stores the encrypted encoded video data (step 304). Retrieve circuit 118 of storage unit 104 retrieves the encrypted encoded video data from storage device 116 (step 306), for example in response to a user command to play a video. Decrypt circuit 120 of storage unit 104 decrypts the encrypted encoded video data while retrieve circuit 118 retrieves the encrypted encoded video data from storage device 116 (step 308). Output circuit 128 of storage unit 104 transmits a signal representing the encoded video data over link 110 while decrypt circuit 120 decrypts the encoded video data (step 310). Preferably the signal is a MIMO signal compliant with IEEE standard 802.11n, although of course other sorts of wired, optical, or wireless signals can be used. Preferably storage unit 104 does not store any substantial portion of the encoded video data to prevent unauthorized duplication and distribution of the video data. In some embodiments, the encoding is proprietary so that the transmission over link 110 is secure.

[0054] Input circuit 136 of set-top unit 108 receives the signal representing the encoded video data (step 312). Decode circuit 138 of set-top unit 108 decodes the encoded video data while input circuit 136 receives the signal representing the encoded video data (step 314). Output circuit 140 of set-top unit 108 outputs multimedia signal 112 representing the video data while decode circuit 138 decodes the encoded video data (step 316). Multimedia signal 112 is preferably an HDMI signal, but can be any sort of signal that carries audio and video information to a rendering device. Preferably set-top unit 108 does not store any substantial portion of the video data or the encoded video data to prevent unauthorized duplication and distribution of the video data.

[0055] FIG. 4 shows a secure video distribution system 400 comprising a storage unit 404 that transfers encrypted encoded video data to a separate set-top unit 408 according to a preferred embodiment of the present invention. Secure video distribution system 400 is similar to secure video distribution system 100 of FIG. 1 except that decrypt circuit 120 is located in set-top unit 408 rather than storage unit 404.

[0056] FIG. 5 shows a process 500 for storage unit 404 and set-top unit 408 of secure video distribution system 400 of FIG. 4 according to a preferred embodiment of the present invention. While the steps in FIG. 5 are shown in sequence, the steps preferably overlap substantially in time. Input circuit 124 of WAN port 122 in storage unit 404 receives packets of encrypted encoded video data from network 106 (step 502). In some embodiments, the video data represents one or more videos provided by video provider 102. The packets of encrypted encoded video data can include Internet Protocol packets of the encrypted encoded video data, Ethernet packets of the encrypted encoded video data, and the like.

[0057] Storage device 116 of storage unit 404 stores the encrypted encoded video data (step 504). Retrieve circuit 118 of storage unit 404 retrieves the encrypted encoded video data from storage device 116 (step 506), for example in response to a user command to play a video. Output circuit 128 of storage unit 404 transmits a signal representing the encrypted encoded video data over link 110 while retrieve circuit 118 retrieves the encrypted encoded video data from storage device 116 (step 508). Preferably the signal is a MIMO signal compliant with IEEE standard 802.11n, although of course other sorts of wired, optical, or wireless signals can be used.

[0058] Input circuit 136 of set-top unit 408 receives the signal representing the encoded video data (step 510). Decrypt circuit 120 of set-top unit 408 decrypts the encrypted encoded video data while input circuit 136 receives the signal representing the encrypted encoded video data (step 512). Decode circuit 138 of set-top unit 408 decodes the encoded video data while decrypt circuit 120 decrypts the encoded video data (step 514). Output circuit 140 of set-top unit 408 outputs multimedia signal 112 representing the video data while decode circuit 138 decodes the encoded video data. Multimedia signal 112 is preferably an HDMI signal, but can be any sort of signal that carries audio and video information to a rendering device. Preferably set-top unit 408 does not store any substantial portion of the video data or the encoded video data to prevent unauthorized duplication and distribution of the video data.

[0059] FIG. 6 shows a secure video distribution system 600 where the storage unit and set-top unit are combined into a single customer unit 604 according to a preferred embodiment of the present invention. Secure video distribution system 600 is similar to secure video distribution system 100 of FIG. 1 except that link 110, output circuit 128, and input circuit 136 are not present.

[0060] FIG. 7 shows a process 700 for customer unit 604 of secure video distribution system 600 of FIG. 6 according to a preferred embodiment of the present invention. While the steps in FIG. 7 are shown in sequence, the steps preferably overlap substantially in time. Input circuit 124 of WAN port 122 in customer unit 604 receives packets of encrypted encoded video data from network 106 (step 702). In some embodiments, the video data represents one or more videos provided by video provider 102. The packets of encrypted encoded video data can include Internet Protocol packets of the encrypted encoded video data, Ethernet packets of the encrypted encoded video data, and the like.

[0061] Storage device 116 of customer unit 604 stores the encrypted encoded video data (step 704). Retrieve circuit 118 of customer unit 604 retrieves the encrypted encoded video data from storage device 116 (step 706), for example in response to a user command to play a video. Decrypt circuit 120 of customer unit 604 decrypts the encrypted encoded video data while retrieve circuit 118 retrieves the encrypted encoded video data from storage device 116 (step 708). Decode circuit 138 of customer unit 604 decodes the encoded video data while decrypt circuit 120 decrypts the encoded video data (step 710). Output circuit 140 of customer unit 604 outputs multimedia signal 112 representing the video data while decode circuit 138 decodes the encoded video data. Multimedia signal 112 is preferably an HDMI signal, but can be any sort of signal that carries audio and video information to a rendering device. Preferably customer unit 604 does not store any substantial portion of the video data or the encoded video data to prevent unauthorized duplication and distribution of the video data.

[0062] FIGS. 8A-8F show various exemplary implementations of the present invention. Referring now to FIG. 8A, the present invention can be implemented in a hard disk drive (HDD) 801. The present invention may implement either or both signal processing and/or control circuits, which are generally identified in FIG. 8A at 802. In some implementations, the signal processing and/or control circuit 802 and/or other circuits (not shown) in the HDD 801 may process data, perform coding and/or encrypt, perform calculations, and/or format data that is output to and/or received from a magnetic storage medium 803.

[0063] The HDD 801 may communicate with a host device (not shown) such as a computer, mobile computing devices such as personal digital assistants, cellular phones, media or MP3 players and the like, and/or other devices via one or more wired or wireless communication links 804. The HDD 801 may be connected to memory 805 such as random access memory (RAM), low latency nonvolatile memory such as flash memory, read only memory (ROM) and/or other suitable electronic data storage.

[0064] Referring now to FIG. 8B, the present invention can be implemented in a digital versatile disc (DVD) drive 806. The present invention may implement either or both signal processing and/or control circuits, which are generally identified in FIG. 8B at 807, and/or mass data storage of the DVD drive 806. The signal processing and/or control circuit 807 and/or other circuits (not shown) in the DVD drive 806 may process data, perform coding and/or encrypt, perform calculations, and/or format data that is read from and/or data written to an optical storage medium 808. In some implementations, the signal processing and/or control circuit 807 and/or other circuits (not shown) in the DVD drive 806 can also perform other functions such as encoding and/or decoding and/or any other signal processing functions associated with a DVD drive.

[0065] The DVD drive 806 may communicate with an output device (not shown) such as a computer, television or other device via one or more wired or wireless communication links 809. The DVD drive 806 may communicate with mass data storage 810 that stores data in a nonvolatile manner. The mass data storage 810 may include a hard disk drive (HDD). The HDD may have the configuration shown in FIG. 8A. The HDD may be a mini HDD that includes one or more platters having a diameter that is smaller than approximately 1.8". The DVD drive 806 may be connected to memory 811 such as RAM, ROM, low latency nonvolatile memory such as flash memory and/or other suitable electronic data storage.

[0066] Referring now to FIG. 8C, the present invention can be implemented in a high definition television (HDTV) 812. The present invention may implement either or both signal processing and/or control circuits, which are generally identified in FIG. 8C at 813, a WLAN interface and/or mass data storage of the HDTV 812. The HDTV 812 receives HDTV input signals in either a wired or wireless format and generates HDTV output signals for a display 814. In some implementations, signal processing circuit and/or control circuit 813 and/or other circuits (not shown) of the HDTV 812 may process data, perform coding and/or

encrypt, perform calculations, format data and/or perform any other type of HDTV processing that may be required.

[0067] The HDTV 812 may communicate with mass data storage 815 that stores data in a nonvolatile manner such as optical and/or magnetic storage devices. At least one HDD may have the configuration shown in FIG. 8A and/or at least one DVD drive may have the configuration shown in FIG. 8B. The HDD may be a mini HDD that includes one or more platters having a diameter that is smaller than approximately 1.8". The HDTV 812 may be connected to memory 816 such as RAM, ROM, low latency nonvolatile memory such as flash memory and/or other suitable electronic data storage. The HDTV 812 also may support connections with a WLAN via a WLAN network interface 817.

[0068] Referring now to FIG. 8D, the present invention can be implemented in a cellular phone 828 that may include a cellular antenna 829. The present invention may implement either or both signal processing and/or control circuits, which are generally identified in FIG. 8D at 830, a WLAN interface and/or mass data storage of the cellular phone 828. In some implementations, the cellular phone 828 includes a microphone 831, an audio output 832 such as a speaker and/or audio output jack, a display 833 and/or an input device 834 such as a keypad, pointing device, voice actuation and/or other input device. The signal processing and/or control circuits 830 and/or other circuits (not shown) in the cellular phone 828 may process data, perform coding and/or encrypt, perform calculations, format data and/or perform other cellular phone functions.

[0069] The cellular phone 828 may communicate with mass data storage 835 that stores data in a nonvolatile manner such as optical and/or magnetic storage devices including HDDs and/or DVD drives. At least one HDD may have the configuration shown in FIG. 8A and/or at least one DVD drive may have the configuration shown in FIG. 8B. The HDD may be a mini HDD that includes one or more platters having a diameter that is smaller than approximately 1.8". The cellular phone 828 may be connected to memory 836 such as RAM, ROM, low latency nonvolatile memory such as flash memory and/or other suitable electronic data storage. The cellular phone 828 also may support connections with a WLAN via a WLAN network interface 837.

[0070] Referring now to FIG. 8E, the present invention can be implemented in a set top box 838. The present invention may implement either or both signal processing and/or control circuits, which are generally identified in FIG. 8E at 839, a WLAN interface and/or mass data storage of the set top box 838. The set

top box 838 receives signals from a source such as a broadband source and outputs standard and/or high definition audio/video signals suitable for a display 840 such as a television, a monitor and/or other video and/or audio output devices. The signal processing and/or control circuits 839 and/or other circuits (not shown) of the set top box 838 may process data, perform coding and/or encrypt, perform calculations, format data and/or perform any other set top box functions.

[0071] The set top box 838 may communicate with mass data storage 843 that stores data in a nonvolatile manner. The mass data storage 843 may include optical and/or magnetic storage devices including HDDs and/or DVD drives. At least one HDD may have the configuration shown in FIG. 8A and/or at least one DVD drive may have the configuration shown in FIG. 8B. The HDD may be a mini HDD that includes one or more platters having a diameter that is smaller than approximately 1.8". The set top box 838 may be connected to memory 842 such as RAM, ROM, low latency nonvolatile memory such as flash memory and/or other suitable electronic data storage. The set top box 838 also may support connections with a WLAN via a WLAN network interface 843.

[0072] Referring now to FIG. 8F, the present invention can be implemented in a media player 844. The present invention may implement either or both signal processing and/or control circuits, which are generally identified in FIG. 8F at 845, a WLAN interface and/or mass data storage of the media player 844. In some implementations, the media player 844 includes a display 846 and/or a user input 847 such as a keypad, touchpad and the like. In some implementations, the media player 844 may employ a graphical user interface (GUI) that typically employs menus, drop down menus, icons and/or a point-and-click interface via the display 846 and/or user input 847. The media player 844 further includes an audio output 848 such as a speaker and/or audio output jack. The signal processing and/or control circuits 845 and/or other circuits (not shown) of the media player 844 may process data, perform coding and/or encrypt, perform calculations, format data and/or perform any other media player functions.

[0073] The media player 844 may communicate with mass data storage 849 that stores data such as compressed audio and/or video content in a nonvolatile manner. In some implementations, the compressed audio files include files that are compliant with MP3 format or other suitable compressed audio and/or video formats. The mass data storage 849 may include optical and/or magnetic storage devices including HDDs and/or DVD drives. At least one HDD may have the configuration shown in FIG. 8A and/or at least one DVD drive may have the

configuration shown in FIG. 8B. The HDD may be a mini HDD that includes one or more platters having a diameter that is smaller than approximately 1.8". The media player 844 may be connected to memory 850 such as RAM, ROM, low latency nonvolatile memory such as flash memory and/or other suitable electronic data storage. The media player 844 also may support connections with a WLAN via a WLAN network interface 851. Still other implementations in addition to those described above are contemplated.

[0074] Embodiments of the invention can be implemented in digital electronic circuitry, or in computer hardware, firmware, software, or in combinations of them. Apparatus of the invention can be implemented in a computer program product tangibly embodied in a machine-readable storage device for execution by a programmable processor; and method steps of the invention can be performed by a programmable processor executing a program of instructions to perform functions of the invention by operating on input data and generating output. The invention can be implemented advantageously in one or more computer programs that are executable on a programmable system including at least one programmable processor coupled to receive data and instructions from, and to transmit data and instructions to, a data storage system, at least one input device, and at least one output device. Each computer program can be implemented in a high-level procedural or object-oriented programming language, or in assembly or machine language if desired; and in any case, the language can be a compiled or interpreted language. Suitable processors include, by way of example, both general and special purpose microprocessors. Generally, a processor will receive instructions and data from a read-only memory and/or a random access memory. Generally, a computer will include one or more mass storage devices for storing data files; such devices include magnetic disks, such as internal hard disks and removable disks; magneto-optical disks; and optical disks. Storage devices suitable for tangibly embodying computer program instructions and data include all forms of non-volatile memory, including by way of example semiconductor memory devices, such as EPROM, EEPROM, and flash memory devices; magnetic disks such as internal hard disks and removable disks; magneto-optical disks; and CD-ROM disks. Any of the foregoing can be supplemented by, or incorporated in, ASICs (application-specific integrated circuits).

[0075] A number of implementations of the invention have been described. Nevertheless, it will be understood that various modifications may be made without departing from the spirit and scope of the invention. Accordingly, other implementations are within the scope of the following claims.

WHAT IS CLAIMED IS:

1. An apparatus comprising:

an input circuit to receive packets of encrypted encoded video data from a network;

5 a storage device to store the encrypted encoded video data;

a retrieve circuit to retrieve the encrypted encoded video data from the storage device;

a decrypt circuit to decrypt the encrypted encoded video data into encoded video data while the retrieve circuit retrieves the encrypted encoded video data from the storage device; and

10

an output circuit to transmit a signal representing the encoded video data while the decrypt circuit decrypts the encrypted encoded video data.

2. The apparatus of claim 1:

15

wherein the packets of encrypted encoded video data comprise Internet Protocol packets of the encrypted encoded video data.

3. The apparatus of claim 1:

20

wherein the packets of encrypted encoded video data comprise Ethernet packets of the encrypted encoded video data.

4. The apparatus of claim 1:

wherein the storage device does not store any substantial portion of the encoded video data.

25

5. The apparatus of claim 1, wherein the video data represents one or more videos, further comprising:

a queue circuit to determine a number of the videos stored on the storage device;

and

30

a further output circuit to transmit a message to the network, the message representing the number of the videos stored on the storage device.

6. The apparatus of claim 3, further comprising:

a control circuit to receive a command to discard one of the videos stored on the storage device;

5 wherein the storage device discards the one of the videos in response to the control circuit;

wherein the queue circuit then determines the current number of the videos stored on the storage device; and

10 wherein the further output circuit then transmits a message to the network, the message representing the current number of the videos stored on the storage device.

7. The apparatus of claim 1, wherein the network comprises the Internet.

8. The apparatus of claim 1, further comprising:

15 a further input circuit to receive the signal representing the encoded video data;

a decode circuit to decode the encoded video data into video data while the further input circuit receives the signal representing the encoded video data; and

a further output circuit to output a multimedia signal representing the video data while the decode circuit decodes the encoded video data.

20

9. The apparatus of claim 8:

wherein the apparatus does not store any substantial portion of the video data or the encoded video data.

25 10. The apparatus of claim 8, wherein the multimedia signal comprises a high-definition television signal.

11. The apparatus of claim 1, further comprising:

30 a first network port to receive the packets of encrypted encoded video data and first other data from the network, and to transmit second other data to the network;

a second network port to transmit the first other data to a local network, and to receive the second other data from the local network; and

a switch to pass the packets of encrypted encoded video data from the first network port to the input circuit, and to pass the first and second other data between the first and second network ports.

5 12. The apparatus of claim 11, wherein the first network port receives first voice data and transmits second voice data, further comprising:

 an analog telephone interface to transmit first analog telephone signals representing the first voice data, and to receive second analog telephone signals representing the second voice data;

10 wherein the switch passes the first and second voice data between the first network port and the analog telephone interface.

 13. The apparatus of claim 1:

 wherein the signal representing the encoded video data is a wireless signal which
15 is compliant with at least one standard selected from the group consisting of IEEE standards 802.11, 802.11a, 802.11b, 802.11g, 802.11n, 802.16, and 802.20.

 14. An apparatus comprising:

 input means for receiving packets of encrypted encoded video data from a
20 network;

 storage means for storing the encrypted encoded video data;

 retrieve means for retrieving the encrypted encoded video data from the storage means;

 decrypt means for decrypting the encrypted encoded video data into encoded
25 video data while the retrieve means retrieves the encrypted encoded video data from the storage means; and

 output means for transmitting a signal representing the encoded video data while the decrypt means decrypts the encrypted encoded video data.

30 15. The apparatus of claim 14:

 wherein the packets of encrypted encoded video data comprise Internet Protocol packets of the encrypted encoded video data.

16. The apparatus of claim 14:

wherein the packets of encrypted encoded video data comprise Ethernet packets of the encrypted encoded video data.

5

17. The apparatus of claim 14:

wherein the storage means does not store any substantial portion of the encoded video data.

10

18. The apparatus of claim 14, wherein the video data represents one or more videos, further comprising:

queue means for determining a number of the videos stored on the storage means; and

15

further output means for transmitting a message to the network, the message representing the number of the videos stored on the storage means.

19. The apparatus of claim 18, further comprising:

control means for receiving a command to discard one of the videos stored on the storage means;

20

wherein the storage means discards the one of the videos in response to the control means;

wherein the queue means then determines the current number of the videos stored on the storage means; and

25

wherein the further output means then transmits a message to the network, the message representing the current number of the videos stored on the storage means.

20. The apparatus of claim 14, wherein the network comprises the Internet.

21. The apparatus of claim 14, further comprising:

30

further input means for receiving the signal representing the encoded video data; decode means for decoding the encoded video data into video data while the further input means receives the signal representing the encoded video data; and

further output means for outputting a multimedia signal representing the video data while the decode means decodes the encoded video data.

22. The apparatus of claim 21:

5 wherein the apparatus does not store any substantial portion of the video data or the encoded video data.

23. The apparatus of claim 21, wherein the multimedia signal comprises a high-definition television signal.

10 24. The apparatus of claim 14, further comprising:

first network port means for receiving the packets of encrypted encoded video data and first other data from the network, and for transmitting second other data to the network;

15 second network port means for transmitting the first other data to a local network, and for receiving the second other data from the local network; and

switch means for passing the packets of encrypted encoded video data from the first network port means to the input means, and for passing the first and second other data between the first and second network port means.

20 25. The apparatus of claim 24, wherein the first network port means receives first voice data and transmits second voice data, further comprising:

25 analog telephone interface means for transmitting first analog telephone signals representing the first voice data, and for receiving second analog telephone signals representing the second voice data;

wherein the switch means passes the first and second voice data between the first network port means and the analog telephone interface means.

26. The apparatus of claim 14:

30 wherein the signal representing the encoded video data is a wireless signal which is compliant with at least one standard selected from the group consisting of IEEE standards 802.11, 802.11a, 802.11b, 802.11g, 802.11n, 802.16, and 802.20.

27. A method comprising:

receiving packets of encrypted encoded video data from a network;

storing the encrypted encoded video data on a storage device;

5 retrieving the encrypted encoded video data from the storage device;

decrypting the encrypted encoded video data into encoded video data while

retrieving the encrypted encoded video data from the storage device; and

transmitting a signal representing the encoded video data while decrypting the
encrypted encoded video data.

10

28. The method of claim 27:

wherein the packets of encrypted encoded video data comprise Internet Protocol
packets of the encrypted encoded video data.

15

29. The method of claim 27:

wherein the packets of encrypted encoded video data comprise Ethernet packets
of the encrypted encoded video data.

30. The method of claim 27:

20 wherein the storage device does not store any substantial portion of the encoded
video data.

31. The method of claim 27, wherein the video data represents one or more
videos, further comprising:

25 determining a number of the videos stored on the storage device; and

transmitting a message to the network, the message representing the number of
the videos stored on the storage device.

32. The method of claim 27, further comprising:

30 receiving a command to discard one of the videos stored on the storage device;

discarding the one of the videos in response to the command;

determining the current number of the videos stored on the storage device; and

transmitting a message to the network, the message representing the current number of the videos stored on the storage device.

33. The method of claim 27, wherein the network comprises the Internet.

5

34. The method of claim 27, further comprising:

receiving the signal representing the encoded video data;

decoding the encoded video data into video data while receiving the signal representing the encoded video data; and

10

outputting a multimedia signal representing the video data while decoding the encoded video data.

35. The method of claim 34, wherein the multimedia signal comprises a high-definition television signal.

15

36. The method of claim 27, further comprising:

receiving the packets of encrypted encoded video data and first other data from the network;

transmitting second other data to the network;

20

transmitting the first other data to a local network;

receiving the second other data from the local network;

passing the packets of encrypted encoded video data to the storage device; and

passing the first and second other data between the network and the local

network.

25

37. The method of claim 27, further comprising:

receiving first voice data from the network;

transmitting second voice data to the network;

transmitting first analog telephone signals representing the first voice data; and

30

receiving second analog telephone signals representing the second voice data.

38. The method of claim 27, wherein the signal representing the encoded video data is a wireless signal which is compliant with at least one standard selected from the group consisting of IEEE standards 802.11, 802.11a, 802.11b, 802.11g, 802.11n, 802.16, and 802.20.

5

39. A computer program executable on a processor, comprising:
instructions for storing encrypted encoded video data on a storage device,
wherein the encrypted encoded video data is received in packets from a network;
instructions for retrieving the encrypted encoded video data from the storage
device; and

10

instructions for decrypting the encrypted encoded video data into encoded video data while retrieving the encrypted encoded video data from the storage device;
wherein a signal representing the encoded video data is transmitted while decrypting the encrypted encoded video data.

15

40. The computer program of claim 39:
wherein the packets of encrypted encoded video data comprise Internet Protocol packets of the encrypted encoded video data.

20

41. The computer program of claim 39:
wherein the packets of encrypted encoded video data comprise Ethernet packets of the encrypted encoded video data.

25

42. The computer program of claim 39:
wherein the storage device does not store any substantial portion of the encoded video data.

30

43. The computer program of claim 39, wherein the video data represents one or more videos, further comprising:
determining a number of the videos stored on the storage device; and
transmitting a message to the network, the message representing the number of the videos stored on the storage device.

44. The computer program of claim 39, further comprising:
instructions for discarding one of the videos stored on the storage device in
response to a received command to discard the one of the videos;
5 instructions for determining the current number of the videos stored on the
storage device; and
instructions for transmitting a message to the network, the message representing
the current number of the videos stored on the storage device.

10 45. The computer program of claim 39, wherein the network comprises the
Internet.

46. The computer program of claim 39, further comprising:
instructions for decoding the encoded video data into video data while receiving
15 the signal representing the encoded video data;
wherein a multimedia signal representing the video data is outputted while
decoding the encoded video data.

47. The computer program of claim 46, wherein the multimedia signal
20 comprises a high-definition television signal.

48. The computer program of claim 39, wherein the signal representing the
encoded video data is a wireless signal which is compliant with at least one standard
selected from the group consisting of IEEE standards 802.11, 802.11a, 802.11b, 802.11g,
25 802.11n, 802.16, and 802.20.

49. An apparatus comprising:
an input circuit to receive packets of encrypted encoded video data from a
network;
30 a storage device to store the encrypted encoded video data;
a retrieve circuit to retrieve the encrypted encoded video data from the storage
device; and

an output circuit to transmit a signal representing the encrypted encoded video data while the retrieve circuit retrieves the encrypted encoded video data from the storage device.

5 50. The apparatus of claim 49:
 wherein the packets of encrypted encoded video data comprise Internet Protocol
 packets of the encrypted encoded video data.

 51. The apparatus of claim 49:
10 wherein the packets of encrypted encoded video data comprise Ethernet packets
 of the encrypted encoded video data.

 52. The apparatus of claim 49, wherein the video data represents one or more
 videos, further comprising:
15 a queue circuit to determine a number of the videos stored on the storage device;
 and
 a further output circuit to transmit a message to the network, the message
 representing the number of the videos stored on the storage device.

20 53. The apparatus of claim 49, further comprising:
 a control circuit to receive a command to discard one of the videos stored on the
 storage device;
 wherein the storage device discards the one of the videos in response to the
 control circuit;
25 wherein the queue circuit then determines the current number of the videos stored
 on the storage device; and
 wherein the further output circuit then transmits a message to the network, the
 message representing the current number of the videos stored on the storage device.

30 54. The apparatus of claim 49, wherein the network comprises the Internet.

 55. The apparatus of claim 54, further comprising:

a further input circuit to receive the signal representing the encrypted encoded video data;

a decrypt circuit to decrypt the encrypted encoded video data into encoded video data while the further input circuit receives the signal representing the encrypted encoded video data;

a decode circuit to decode the encoded video data into video data while the decrypt circuit decrypts the encoded video data; and

a further output circuit to output a multimedia signal representing the video data while the decode circuit decodes the encoded video data.

10

56. The apparatus of claim 55:

wherein the apparatus does not store any substantial portion of the video data or the encoded video data.

15

57. The apparatus of claim 55, wherein the multimedia signal comprises a high-definition television signal.

58. The apparatus of claim 49, further comprising:

a first network port to receive the packets of encrypted encoded video data and first other data from the network, and to transmit second other data to the network;

a second network port to transmit the first other data to a local network, and to receive the second other data from the local network; and

a switch to pass the packets of encrypted encoded video data from the first network port to the input circuit, and to pass the first and second other data between the first and second network ports.

25

59. The apparatus of claim 58, wherein the first network port receives first voice data and transmits second voice data, further comprising:

an analog telephone interface to transmit first analog telephone signals representing the first voice data, and to receive second analog telephone signals representing the second voice data;

30

wherein the switch passes the first and second voice data between the first network port and the analog telephone interface.

60. The apparatus of claim 49:

5 wherein the signal representing the encrypted encoded video data is a wireless signal which is compliant with at least one standard selected from the group consisting of IEEE standards 802.11, 802.11a, 802.11b, 802.11g, 802.11n, 802.16, and 802.20.

61. An apparatus comprising:

10 input means for receiving packets of encrypted encoded video data from a network;

storage means for storing the encrypted encoded video data;

retrieve means for retrieving the encrypted encoded video data from the storage means; and

15 output means for transmitting a signal representing the encrypted encoded video data while the retrieve means retrieves the encrypted encoded video data from the storage means.

62. The apparatus of claim 61:

20 wherein the packets of encrypted encoded video data comprise Internet Protocol packets of the encrypted encoded video data.

63. The apparatus of claim 61:

25 wherein the packets of encrypted encoded video data comprise Ethernet packets of the encrypted encoded video data.

64. The apparatus of claim 61, wherein the video data represents one or more videos, further comprising:

queue means for determining a number of the videos stored on the storage means;

30 and

further output means for transmitting a message to the network, the message representing the number of the videos stored on the storage means.

65. The apparatus of claim 61, further comprising:

control means for receiving a command to discard one of the videos stored on the storage means;

5 wherein the storage means discards the one of the videos in response to the control means;

wherein the queue means then determines the current number of the videos stored on the storage means; and

10 wherein the further output means then transmits a message to the network, the message representing the current number of the videos stored on the storage means.

66. The apparatus of claim 61, wherein the network comprises the Internet.

67. The apparatus of claim 66, further comprising:

15 further input means for receiving the signal representing the encrypted encoded video data;

decrypt means for decrypting the encrypted encoded video data into encoded video data while the further input means receives the signal representing the encrypted encoded video data;

20 decode means for decoding the encoded video data into video data while the decrypt means decrypts the encoded video data; and

further output means for outputting a multimedia signal representing the video data while the decode means decodes the encoded video data.

25 68. The apparatus of claim 67:

wherein the apparatus does not store any substantial portion of the video data or the encoded video data.

30 69. The apparatus of claim 67, wherein the multimedia signal comprises a high-definition television signal.

70. The apparatus of claim 61, further comprising:

first network port means for receiving the packets of encrypted encoded video data and first other data from the network, and for transmitting second other data to the network;

second network port means for transmitting the first other data to a local network,
5 and for receiving the second other data from the local network; and

switch means for passing the packets of encrypted encoded video data from the first network port means to the input means, and for passing the first and second other data between the first and second network port means.

10 71. The apparatus of claim 70, wherein the first network port means receives first voice data and transmits second voice data, further comprising:

analog telephone interface means for transmitting first analog telephone signals representing the first voice data, and for receiving second analog telephone signals representing the second voice data;

15 wherein the switch means passes the first and second voice data between the first network port means and the analog telephone interface means.

72. The apparatus of claim 61:

20 wherein the signal representing the encrypted encoded video data is a wireless signal which is compliant with at least one standard selected from the group consisting of IEEE standards 802.11, 802.11a, 802.11b, 802.11g, 802.11n, 802.16, and 802.20.

73. A method comprising:

25 receiving packets of encrypted encoded video data from a network;
storing the encrypted encoded video data on a storage device;
retrieving the encrypted encoded video data from the storage device; and
transmitting a signal representing the encrypted encoded video data while
retrieving the encrypted encoded video data from the storage device.

30 74. The method of claim 73:

wherein the packets of encrypted encoded video data comprise Internet Protocol packets of the encrypted encoded video data.

75. The method of claim 73:

wherein the packets of encrypted encoded video data comprise Ethernet packets of the encrypted encoded video data.

5

76. The method of claim 73, wherein the video data represents one or more videos, further comprising:

determining a number of the videos stored on the storage device; and

transmitting a message to the network, the message representing the number of

10 the videos stored on the storage device.

77. The method of claim 73, further comprising:

receiving a command to discard one of the videos stored on the storage device;

discarding the one of the videos in response to the command;

15 determining the current number of the videos stored on the storage device; and

transmitting a message to the network, the message representing the current number of the videos stored on the storage device.

78. The method of claim 73, wherein the network comprises the Internet.

20

79. The method of claim 78, further comprising:

receiving the signal representing the encrypted encoded video data;

decrypting the encrypted encoded video data into encoded video data while

receiving the signal representing the encrypted encoded video data;

25 decoding the encoded video data into video data while decrypting the encoded video data; and

outputting a multimedia signal representing the video data while decoding the encoded video data.

30 80. The method of claim 79, wherein the multimedia signal comprises a high-definition television signal.

81. The method of claim 73, further comprising:

receiving the packets of encrypted encoded video data and first other data from the network;

transmitting second other data to the network;

5 transmitting the first other data to a local network;

receiving the second other data from the local network;

passing the packets of encrypted encoded video data from network to the storage device; and

10 passing the first and second other data between the network and the local network.

82. The method of claim 73, further comprising:

receiving first voice data from the network;

transmitting second voice data to the network;

15 transmitting first analog telephone signals representing the first voice data; and

receiving second analog telephone signals representing the second voice data.

83. The method of claim 73, wherein the signal representing the encoded

20 video data is a wireless signal which is compliant with at least one standard selected from the group consisting of IEEE standards 802.11, 802.11a, 802.11b, 802.11g, 802.11n, 802.16, and 802.20.

84. A computer program executable on a processor, comprising:

instructions for storing encrypted encoded video data on a storage device,

25 wherein the encrypted encoded video data is received in packets from a network; and

instructions for retrieving the encrypted encoded video data from the storage device; and

wherein a signal representing the encrypted encoded video data is transmitted while retrieving the encrypted encoded video data from the storage device.

30

85. The computer program of claim 84:

wherein the packets of encrypted encoded video data comprise Internet Protocol packets of the encrypted encoded video data.

86. The computer program of claim 84:

5 wherein the packets of encrypted encoded video data comprise Ethernet packets of the encrypted encoded video data.

87. The computer program of claim 84, wherein the video data represents one or more videos, further comprising:

10 instructions for determining a number of the videos stored on the storage device; and

instructions for transmitting a message to the network, the message representing the number of the videos stored on the storage device.

15 88. The computer program of claim 84, further comprising:

instructions for discarding one of the videos stored on the storage device in response to a received command;

instructions for determining the current number of the videos stored on the storage device; and

20 instructions for transmitting a message to the network, the message representing the current number of the videos stored on the storage device.

89. The computer program of claim 84, wherein the network comprises the Internet.

25

90. The computer program of claim 89, further comprising:

instructions for decrypting the encrypted encoded video data into encoded video data while receiving a signal representing the encrypted encoded video data; and

30 instructions for decoding the encoded video data into video data while decrypting the encoded video data;

wherein a multimedia signal representing the video data is outputted while decoding the encoded video data.

91. The computer program of claim 90, wherein the multimedia signal comprises a high-definition television signal.

5 92. The computer program of claim 84, wherein the signal representing the encoded video data is a wireless signal which is compliant with at least one standard selected from the group consisting of IEEE standards 802.11, 802.11a, 802.11b, 802.11g, 802.11n, 802.16, and 802.20.

10 93. An apparatus comprising:
an input circuit to receive packets of encrypted encoded video data from a network;
a storage device to store the encrypted encoded video data;
a retrieve circuit to retrieve the encrypted encoded video data from the
15 device;
a decrypt circuit to decrypt the encrypted encoded video data into encoded video data while the retrieve circuit retrieves the encrypted encoded video data from the storage device;
a decode circuit to decode the encoded video data into video data while the
20 decrypt circuit decrypts the encrypted encoded video data; and
an output circuit to output a multimedia signal representing the video data while the decode circuit decodes the encoded video data.

25 94. The apparatus of claim 93:
wherein the packets of encrypted encoded video data comprise Internet Protocol packets of the encrypted encoded video data.

30 95. The apparatus of claim 93:
wherein the packets of encrypted encoded video data comprise Ethernet packets of the encrypted encoded video data.

96. The apparatus of claim 93:

wherein the storage device does not store any substantial portion of the encoded video data or the video data.

97. The apparatus of claim 93, wherein the video data represents one or more
5 videos, further comprising:

a queue circuit to determine a number of the videos stored on the storage device;
and

a further output circuit to transmit a message to the network, the message
representing the number of the videos stored on the storage device.

10

98. The apparatus of claim 93, further comprising:

a control circuit to receive a command to discard one of the videos stored on the
storage device;

wherein the storage device discards the one of the videos in response to the
15 control circuit;

wherein the queue circuit then determines the current number of the videos stored
on the storage device; and

wherein the further output circuit then transmits a message to the network, the
message representing the current number of the videos stored on the storage device.

20

99. The apparatus of claim 93, wherein the network comprises the Internet.

100. The apparatus of claim 93, wherein the multimedia signal comprises a
high-definition television signal.

25

101. The apparatus of claim 93, further comprising:

a first network port to receive the packets of encrypted encoded video data and
first other data from the network, and to transmit second other data to the network;

a second network port to transmit the first other data to a local network, and to
30 receive the second other data from the local network; and

a switch to pass the packets of encrypted encoded video data from the first network port to the input circuit, and to pass the first and second other data between the first and second network ports.

5 102. The apparatus of claim 101, wherein the first network port receives first voice data and transmits second voice data, further comprising:

 an analog telephone interface to transmit first analog telephone signals representing the first voice data, and to receive second analog telephone signals representing the second voice data;

10 wherein the switch passes the first and second voice data between the first network port and the analog telephone interface.

 103. An apparatus comprising:

15 input means for receiving packets of encrypted encoded video data from a network;

 storage means for storing the encrypted encoded video data;

 retrieve means for retrieving the encrypted encoded video data from the storage means;

20 decrypt means for decrypting the encrypted encoded video data into encoded video data while the retrieve means retrieves the encrypted encoded video data from the storage means;

 decode means for decoding the encoded video data into video data while the decrypt means decrypts the encrypted encoded video data; and

25 output means for outputting a multimedia signal representing the video data while the decode means decodes the encoded video data.

 104. The apparatus of claim 103:

 wherein the packets of encrypted encoded video data comprise Internet Protocol packets of the encrypted encoded video data.

30

 105. The apparatus of claim 103:

wherein the packets of encrypted encoded video data comprise Ethernet packets of the encrypted encoded video data.

106. The apparatus of claim 103:

5 wherein the storage means does not store any substantial portion of the encoded video data or the video data.

107. The apparatus of claim 103, wherein the video data represents one or more videos, further comprising:

10 queue means for determining a number of the videos stored on the storage means; and

further output means for transmitting a message to the network, the message representing the number of the videos stored on the storage means.

108. The apparatus of claim 103, further comprising:

control means for receiving a command to discard one of the videos stored on the storage means;

wherein the storage means discards the one of the videos in response to the control circuit;

20 wherein the queue means then determines the current number of the videos stored on the storage means; and

wherein the further output means then transmits a message to the network, the message representing the current number of the videos stored on the storage means.

109. The apparatus of claim 103, wherein the network comprises the Internet.

110. The apparatus of claim 103, wherein the multimedia signal comprises a high-definition television signal.

111. The apparatus of claim 103, further comprising:

30

first network port means for receiving the packets of encrypted encoded video data and first other data from the network, and for transmitting second other data to the network;

second network port means for transmitting the first other data to a local network, and for receiving the second other data from the local network; and

switch means for passing the packets of encrypted encoded video data from the first network port means to the input means, and for passing the first and second other data between the first and second network port means.

112. The apparatus of claim 111, wherein the first network port means receives first voice data and transmits second voice data, further comprising:

analog telephone interface means for transmitting first analog telephone signals representing the first voice data, and for receiving second analog telephone signals representing the second voice data;

wherein the switch means passes the first and second voice data between the first network port means and the analog telephone interface means.

113. A method comprising:

receiving packets of encrypted encoded video data from a network;

storing the encrypted encoded video data on a storage device;

retrieving the encrypted encoded video data from the storage device;

decrypting the encrypted encoded video data into encoded video data while retrieving the encrypted encoded video data from the storage device;

decoding the encoded video data into video data while decrypting the encrypted encoded video data; and

outputting a multimedia signal representing the video data while decoding the encoded video data.

114. The method of claim 113:

wherein the packets of encrypted encoded video data comprise Internet Protocol packets of the encrypted encoded video data.

115. The method of claim 113:

wherein the packets of encrypted encoded video data comprise Ethernet packets of the encrypted encoded video data.

5 116. The method of claim 113:

wherein the storage device does not store any substantial portion of the encoded video data or the video data.

117. The method of claim 113, wherein the video data represents one or more
10 videos, further comprising:

determining a number of the videos stored on the storage device; and

transmitting a message to the network, the message representing the number of the videos stored on the storage device.

15 118. The method of claim 113, further comprising:

receiving a command to discard one of the videos stored on the storage device;

discarding the one of the videos in response to the command;

determining the current number of the videos stored on the storage device; and

20 transmitting a message to the network, the message representing the current number of the videos stored on the storage device.

119. The method of claim 113, wherein the network comprises the Internet.

25 120. The method of claim 113, wherein the multimedia signal comprises a high-definition television signal.

121. The method of claim 113, further comprising:

receiving the packets of encrypted encoded video data and first other data from the network;

30 transmitting second other data to the network;

transmitting the first other data to a local network;

receiving the second other data from the local network;

passing the packets of encrypted encoded video data from network to the storage device; and

passing the first and second other data between the network and the local network.

5

122. The method of claim 113, further comprising:

receiving first voice data from the network;

transmitting second voice data to the network;

transmitting first analog telephone signals representing the first voice data; and

10 receiving second analog telephone signals representing the second voice data.

123. A computer program executable on a processor, comprising:

instructions for storing encrypted encoded video data on a storage device,

wherein the encrypted encoded video data is received in packets from a network;

15 instructions for retrieving the encrypted encoded video data from the storage device;

instructions for decrypting the encrypted encoded video data into encoded video data while retrieving the encrypted encoded video data from the storage device; and

20 instructions for decoding the encoded video data into video data while decrypting the encrypted encoded video data;

wherein a multimedia signal representing the video data is outputted while decoding the encoded video data.

124. The computer program of claim 123:

25 wherein the packets of encrypted encoded video data comprise Internet Protocol packets of the encrypted encoded video data.

125. The computer program of claim 123:

30 wherein the packets of encrypted encoded video data comprise Ethernet packets of the encrypted encoded video data.

126. The computer program of claim 123:

wherein the storage device does not store any substantial portion of the encoded video data or the video data.

127. The computer program of claim 123, wherein the video data represents
5 one or more videos, further comprising:

instructions for determining a number of the videos stored on the storage device;
and

instructions for transmitting a message to the network, the message representing
the number of the videos stored on the storage device.

10

128. The computer program of claim 123, further comprising:

discarding one of the videos stored on the storage device in response to a
received command;

15

instructions for determining the current number of the videos stored on the
storage device; and

instructions for transmitting a message to the network, the message representing
the current number of the videos stored on the storage device.

20

129. The computer program of claim 123, wherein the network comprises the
Internet.

130. The computer program of claim 123, wherein the multimedia signal
comprises a high-definition television signal.

25

131. A business method comprising:

providing a list of available encrypted videos;

receiving selections of one or more of the encrypted videos from a customer;

adding identifiers of the selected encrypted videos to a queue for the customer;

receiving an indication of a number of the encrypted videos stored on a storage

30

device associated with the customer; and

electronically transmitting one of the encrypted videos having one of the identifiers in the queue to the storage device when the number of the encrypted videos stored on the storage device is less than a predetermined maximum number.

5 132. The business method of claim 131, further comprising at least one of:
 billing the customer at regular intervals; and
 billing the customer for each of the encrypted videos transmitted to the customer.

 133. The business method of claim 131, further comprising:
10 removing an identifier of the one of the encrypted videos from the queue after
 transmitting the one of the encrypted videos to the storage device.

 134. A computer program executable on a processor, comprising:
 instructions for providing a list of available encrypted videos;
15 instructions for adding identifiers of one or more of the encrypted videos to a
 queue for a customer in response to receiving selections of the one or more of the
 encrypted videos from the customer; and
 instructions for electronically transmitting one of the encrypted videos having
 one of the identifiers in the queue to the storage device when the number of the
20 encrypted videos stored on the storage device is less than a predetermined maximum
 number.

 135. The computer program of claim 134, further comprising at least one of:
 instructions for billing the customer at regular intervals; and
25 instructions for billing the customer for each of the encrypted videos transmitted
 to the customer.

 136. The computer program of claim 134, further comprising:
 instructions for removing an identifier of the one of the encrypted videos from the
30 queue after transmitting the one of the encrypted videos to the storage device.

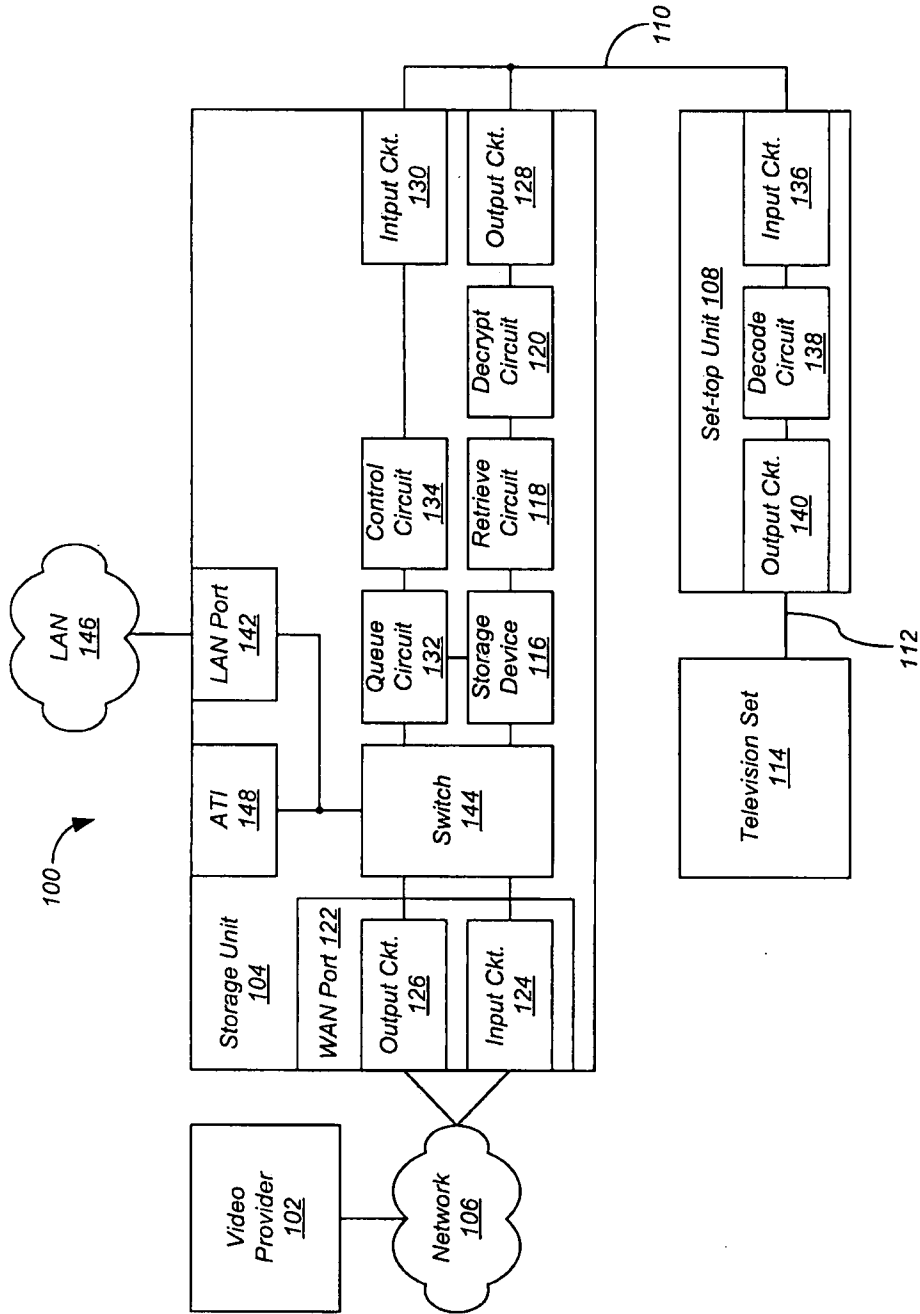


FIG. 1

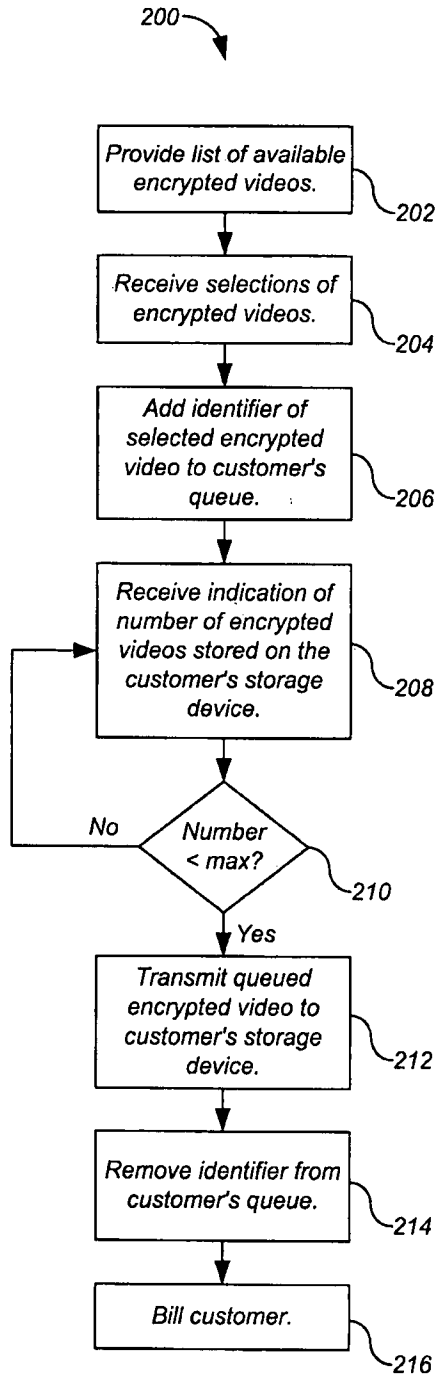


FIG. 2

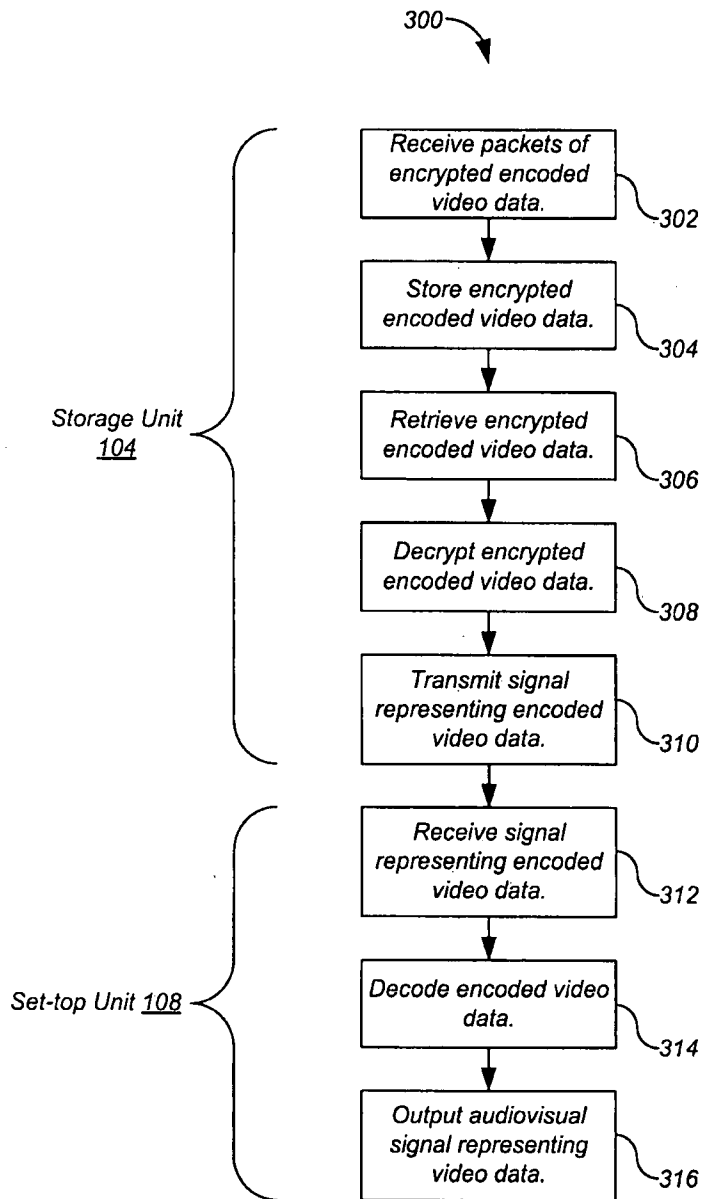


FIG. 3

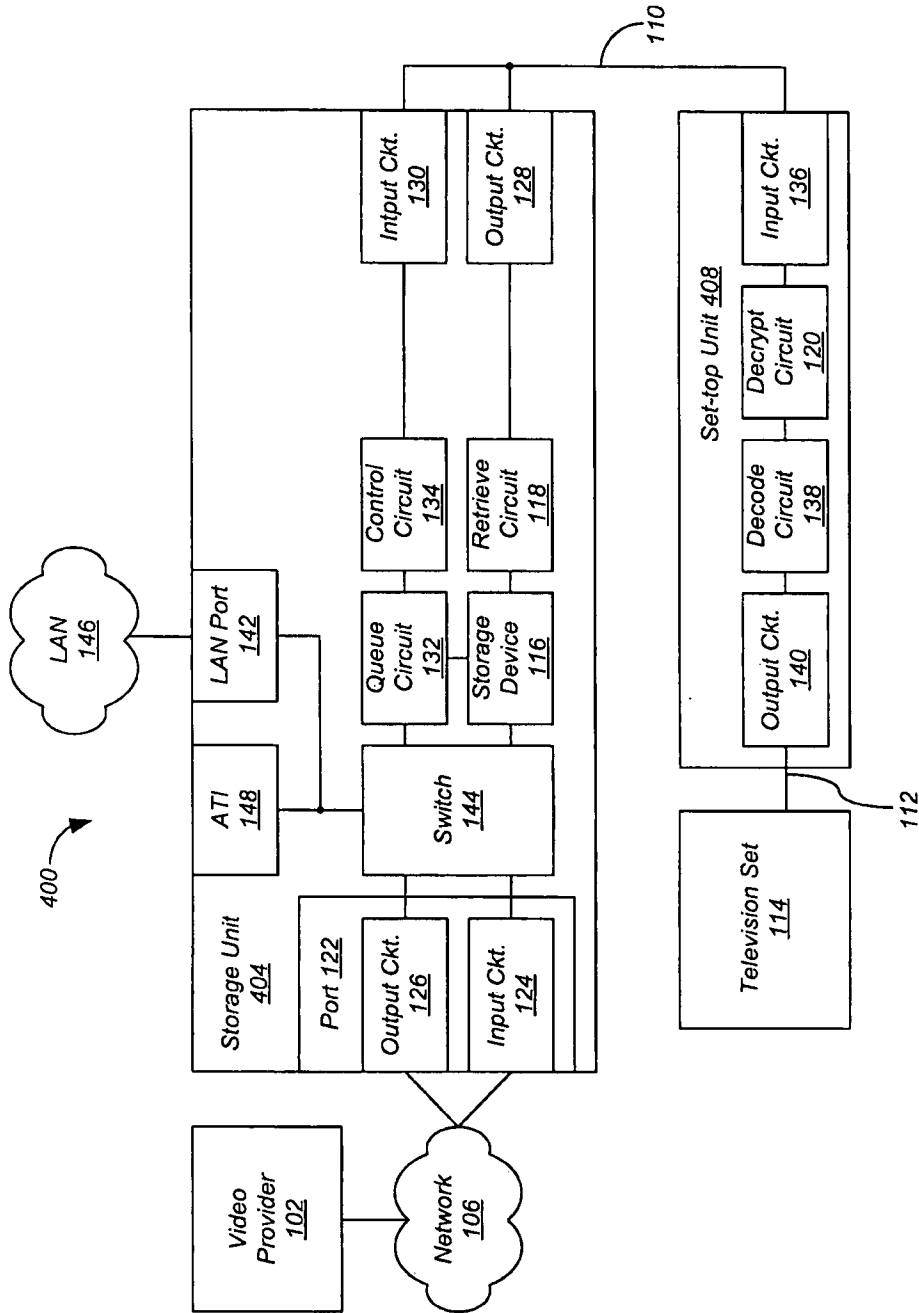


FIG. 4

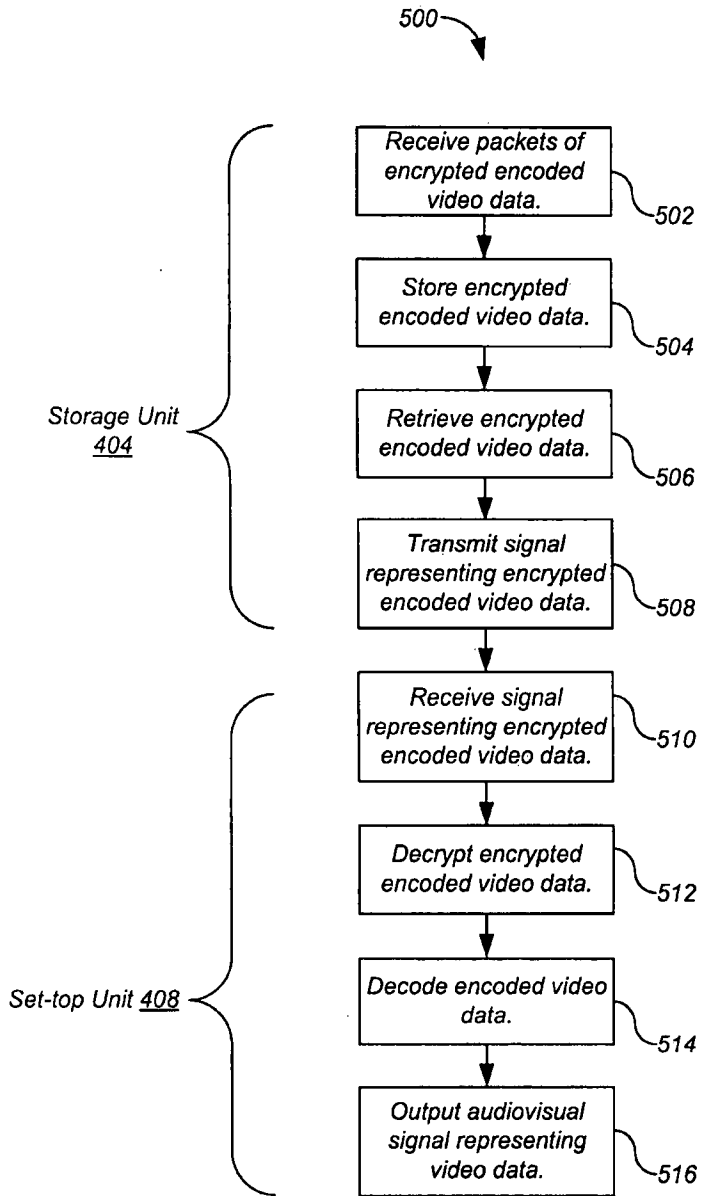


FIG. 5

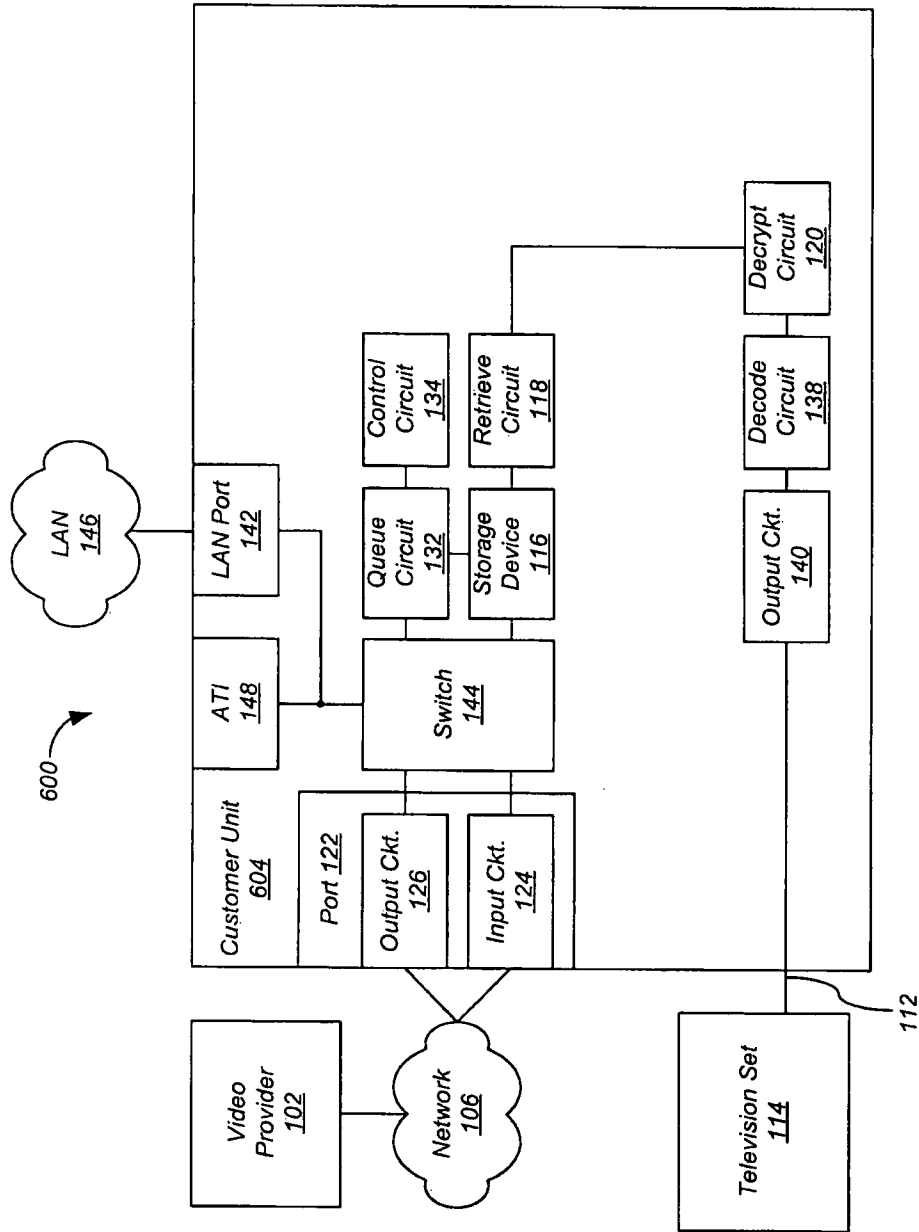


FIG. 6

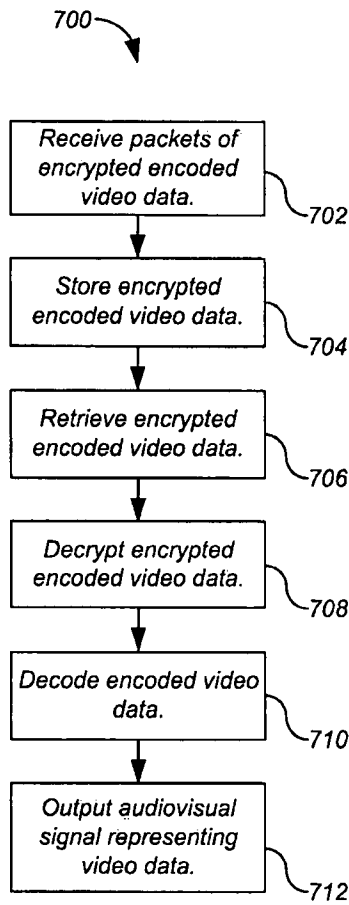


FIG. 7

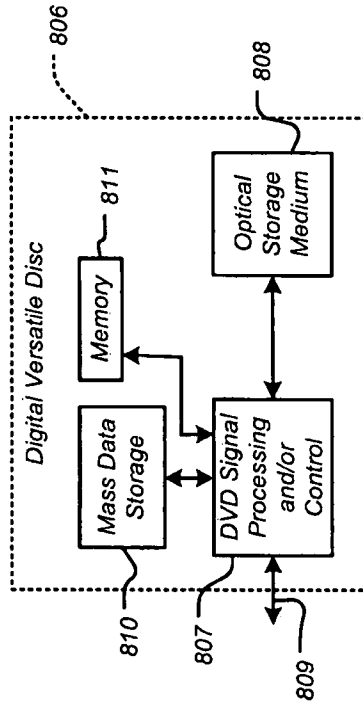


FIG. 8B

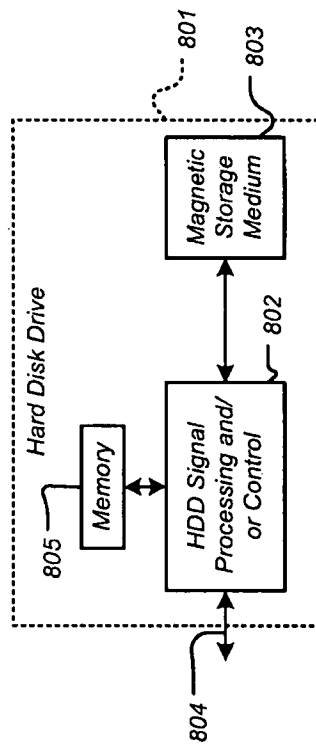


FIG. 8A

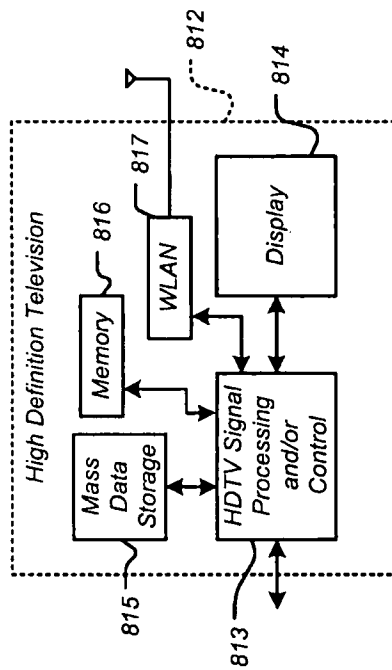


FIG. 8C

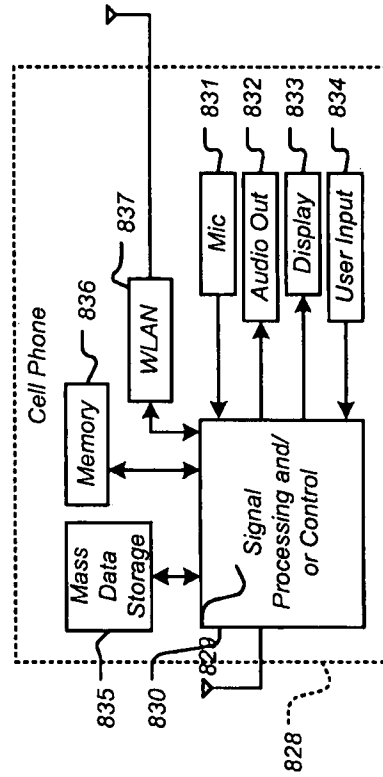


FIG. 8D

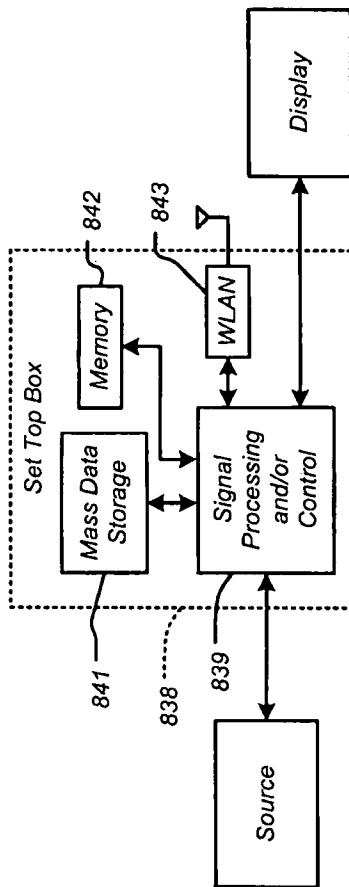


FIG. 8E

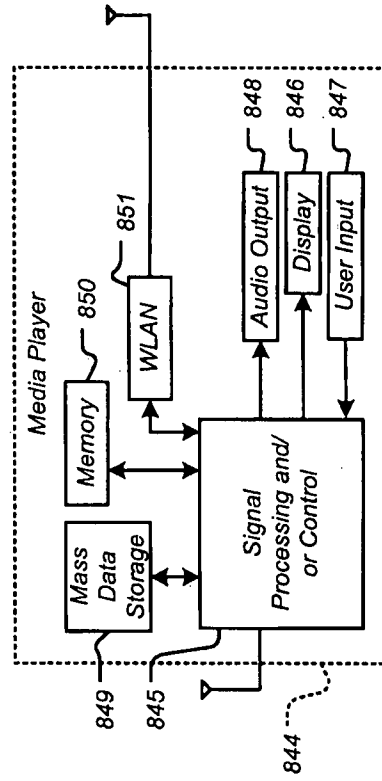


FIG. 8F