



US00D724641S

(12) **United States Design Patent**  
**Cho**

(10) **Patent No.:** **US D724,641 S**

(45) **Date of Patent:** **\*\* Mar. 17, 2015**

(54) **DIGITAL CAMERA**

(56) **References Cited**

(71) Applicant: **Samsung Electronics Co., Ltd.**,  
Suwon-si (KR)

U.S. PATENT DOCUMENTS

D178,909 S *	10/1956	Wittel et al.	.....	D16/207
D186,831 S *	12/1959	Hideo	.....	D16/207
D472,258 S *	3/2003	Yin et al.	.....	D16/202
D614,683 S *	4/2010	Oikawa et al.	.....	D16/206
D659,732 S *	5/2012	Kim et al.	.....	D16/202

(72) Inventor: **Chang-Sin Cho**, Seoul (KR)

\* cited by examiner

(73) Assignee: **Samsung Electronics Co., Ltd.**,  
Suwon-si (KR)

*Primary Examiner* — Adir Aronovich  
(74) *Attorney, Agent, or Firm* — NSIP Law

(\*\*) Term: **14 Years**

(57) **CLAIM**  
The ornamental design for a digital camera, as shown and described.

(21) Appl. No.: **29/473,270**

**DESCRIPTION**

(22) Filed: **Nov. 20, 2013**

FIG. 1 is a front perspective view of a digital camera showing my new design;  
FIG. 2 is a front elevational view thereof;  
FIG. 3 is a rear elevational view thereof;  
FIG. 4 is a left side elevational view thereof;  
FIG. 5 is a right side elevational view thereof;  
FIG. 6 is a top plan view thereof; and  
FIG. 7 is a bottom plan view thereof; and,  
FIG. 8 is an enlarged view of the encircled portion as shown in FIG. 2.

(30) **Foreign Application Priority Data**

May 21, 2013 (KR) ..... 30-2013-0026320

(51) **LOC (10) Cl.** ..... **16-01**

(52) **U.S. Cl.**  
USPC ..... **D16/207; D16/202**

(58) **Field of Classification Search**  
CPC ..... G03B 17/00; G03B 17/02; H04N 5/2251;  
H04N 5/2252; H04N 5/2253; H04N 5/772  
USPC ..... D16/200, 202, 203, 207, 218, 219;  
348/373-376; 396/535, 540, 541  
See application file for complete search history.

The broken lines illustrating portions of the digital camera are for environmental purposes only and form no part of the claimed design.  
The dot-dash broken lines encircling an enlargement portion of the design forms no part of the claimed design.

**1 Claim, 6 Drawing Sheets**

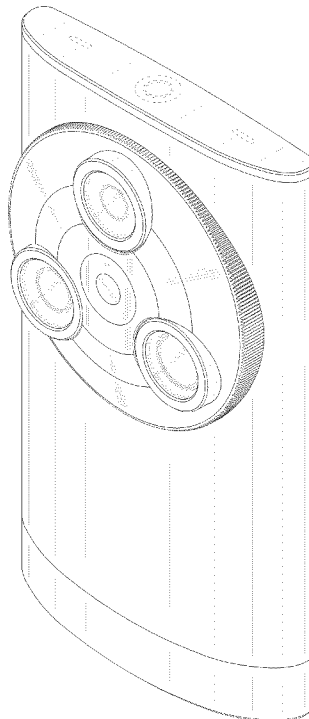


FIG.1

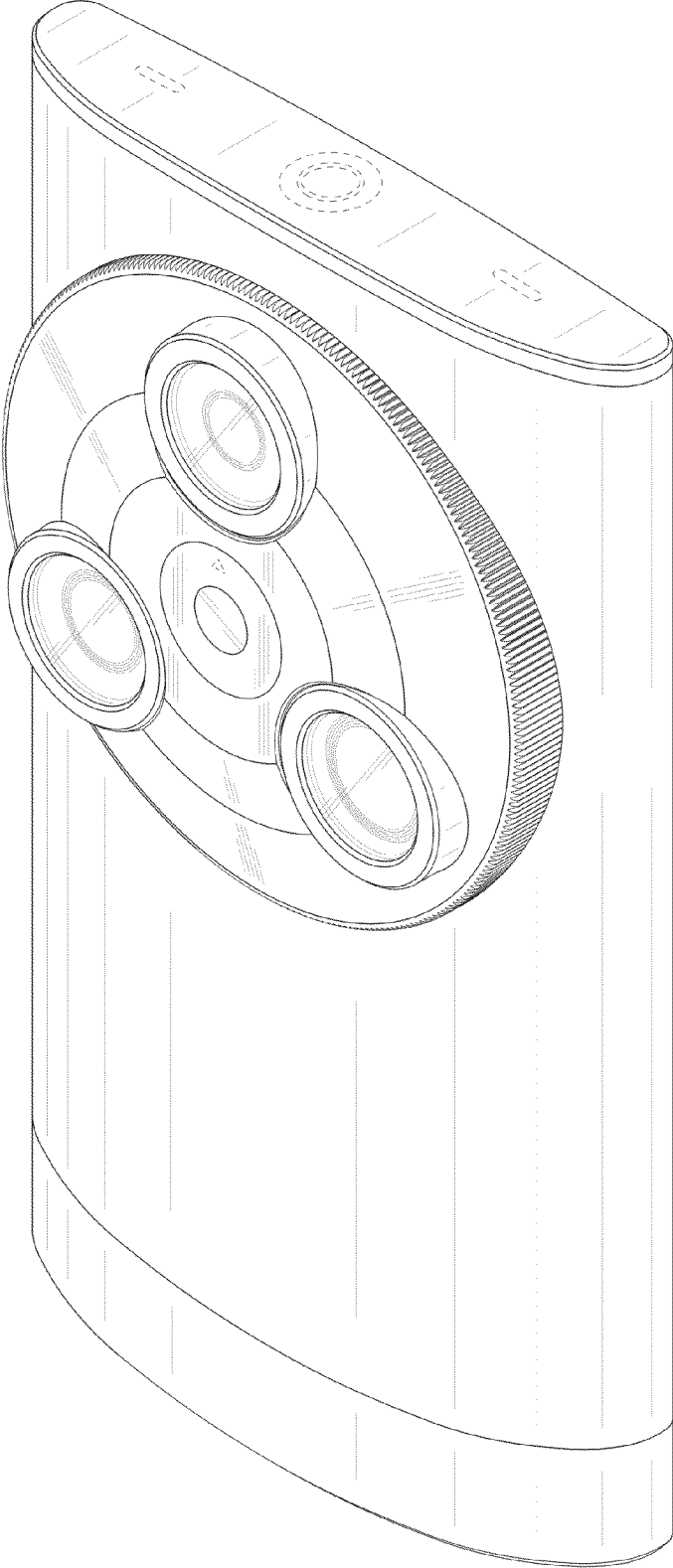


FIG.2

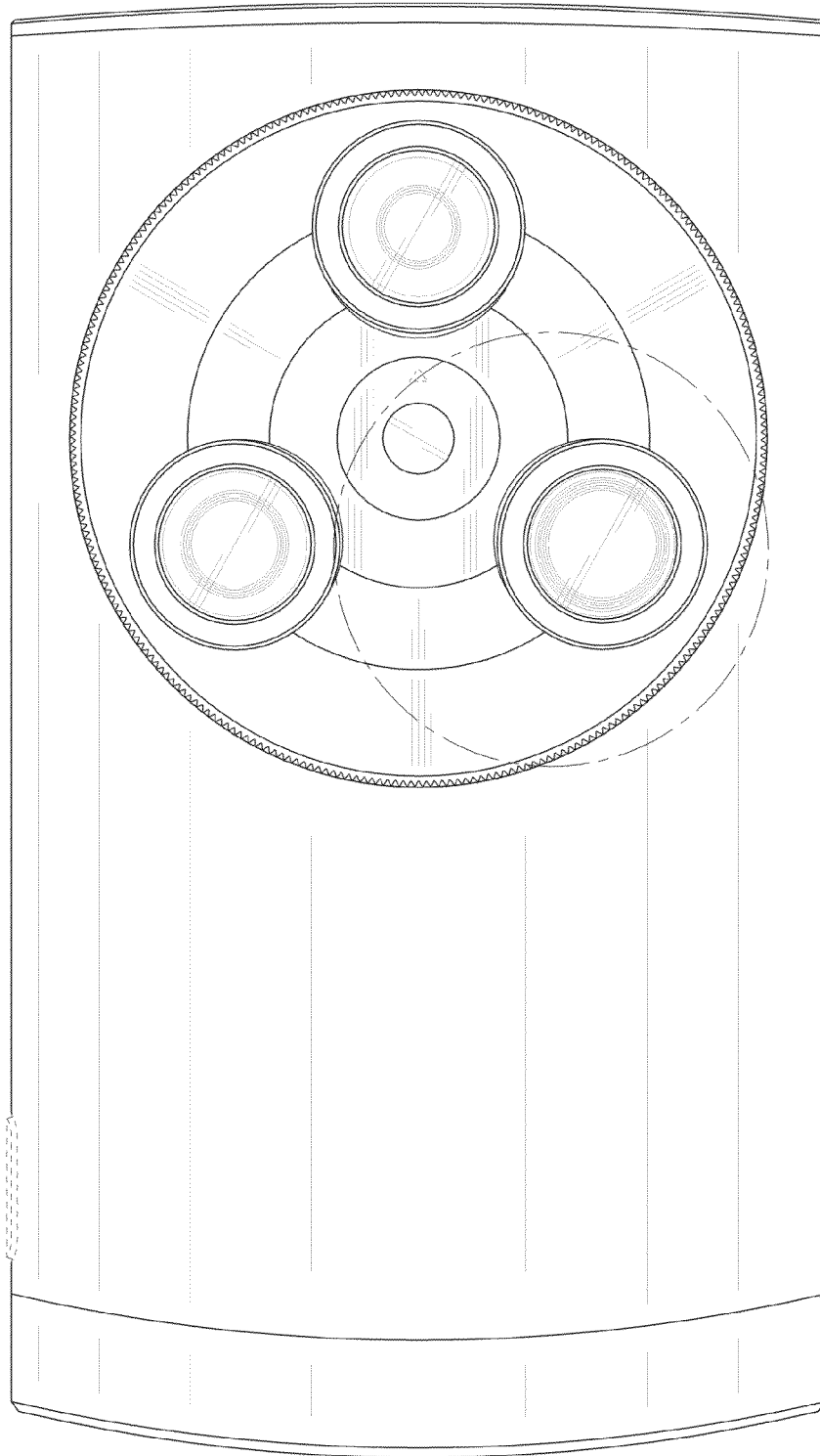


FIG.3

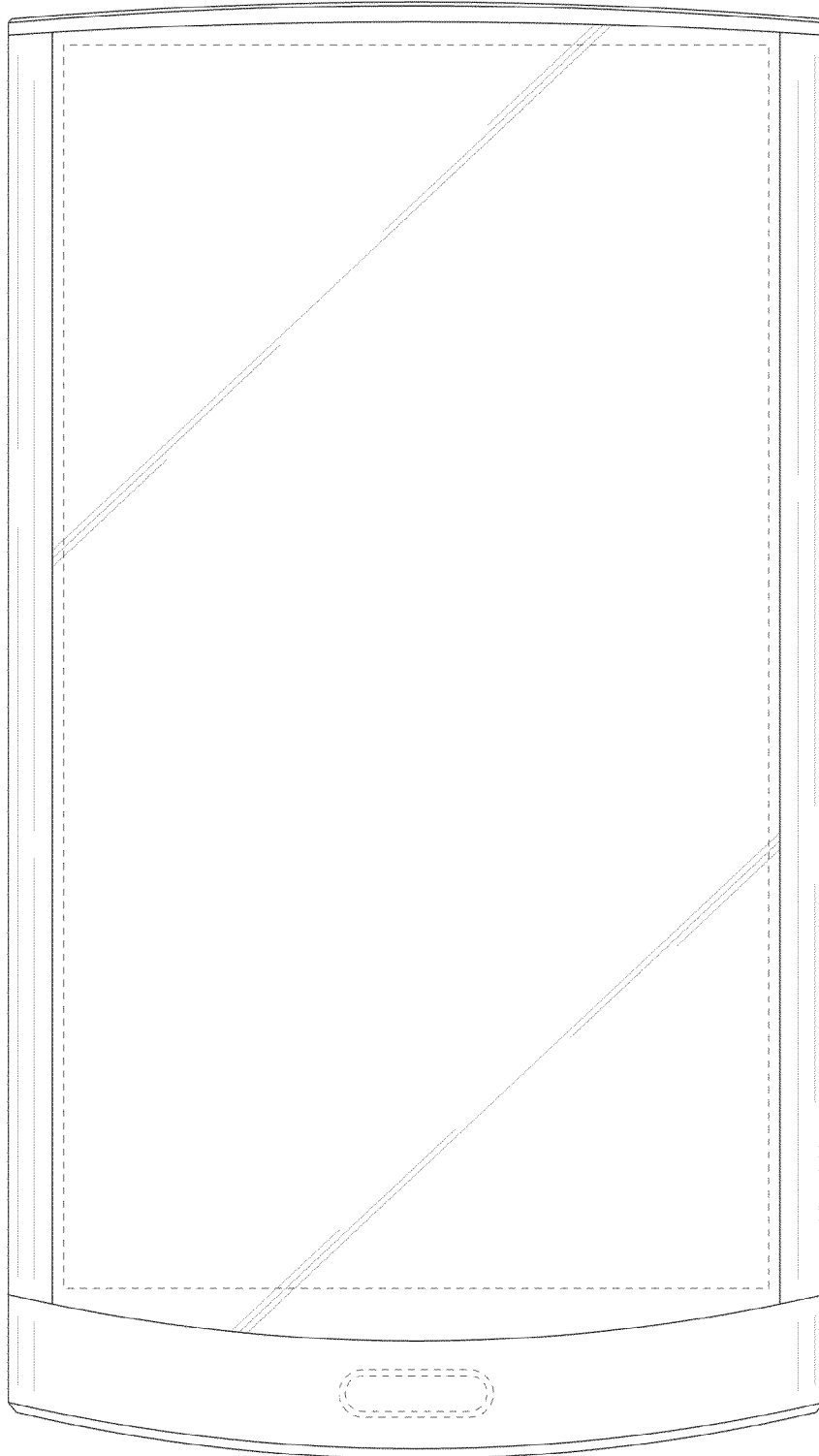


FIG.4

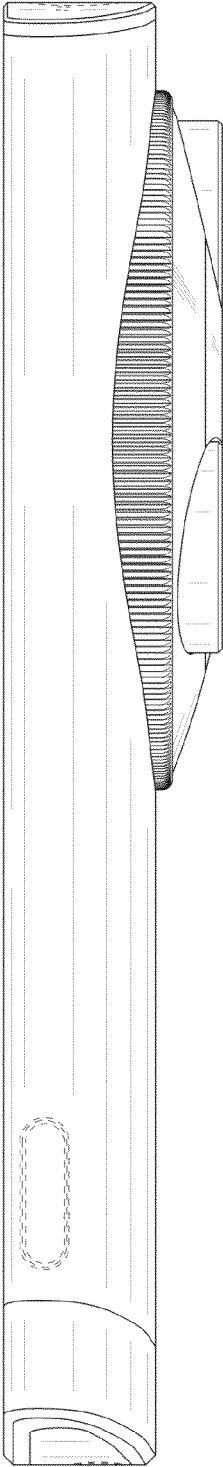


FIG.5

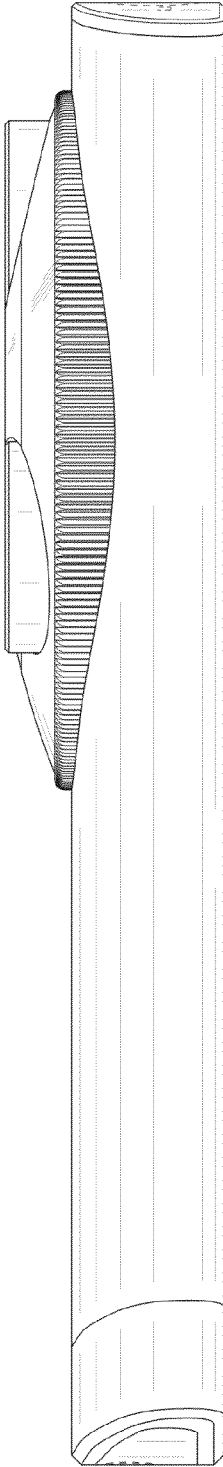


FIG.6

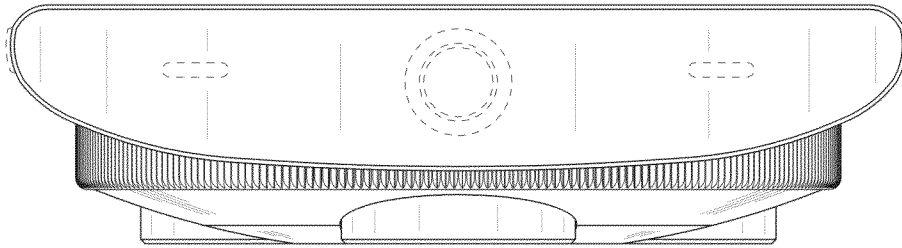


FIG.7

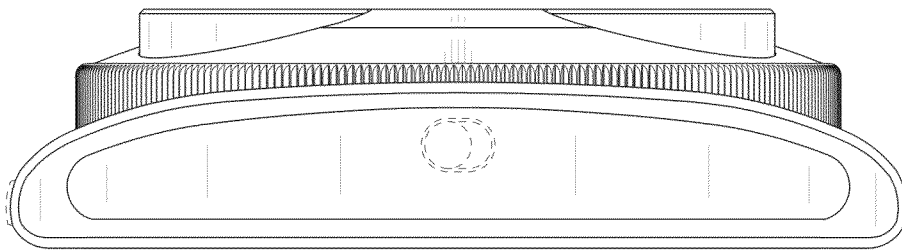


FIG.8

