



US00D787073S

(12) **United States Design Patent**
Livengood et al.

(10) **Patent No.:** **US D787,073 S**

(45) **Date of Patent:** **** May 16, 2017**

- (54) **PATIENT SUPPORT CART WITH MOUNTING PLATE**
- (71) Applicant: **LGMS, LLC**, Fort Collins, CO (US)
- (72) Inventors: **Joseph C. Livengood**, Aspen, CO (US); **Barry T. Phillips**, Fort Collins, CO (US)

4,832,294 A 5/1989 Eidem
 4,970,900 A 11/1990 Shepherd et al.
 4,998,320 A 3/1991 Lange
 5,083,625 A 1/1992 Bleicher
 5,083,807 A 1/1992 Bobb et al.
 (Continued)

FOREIGN PATENT DOCUMENTS

CA 2149336 8/1994
 GB 2312055 10/1997
 (Continued)

- (73) Assignee: **LGMS, LLC**, Fort Collins, CO (US)
- (**) Term: **14 Years**

OTHER PUBLICATIONS

U.S. Appl. No. 29/520,269, filed Mar. 12, 2015, Livengood et al.
 (Continued)

- (21) Appl. No.: **29/520,286**
- (22) Filed: **Mar. 12, 2015**
- (51) **LOC (10) Cl.** **24-00**
- (52) **U.S. Cl.**
USPC **D24/185**
- (58) **Field of Classification Search**
USPC D24/185, 158, 164, 186, 234, 128;
280/47.34, 47.35; 600/407; 108/24, 6
CPC A61M 16/0051; A61B 19/0241; A61B
5/0002; A61B 17/00; A45C 9/00
See application file for complete search history.

Primary Examiner — Rhea Shields
 (74) *Attorney, Agent, or Firm* — Sheridan Ross PC

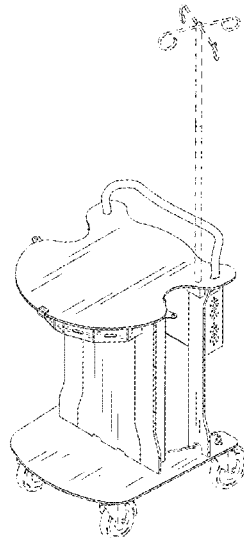
(57) **CLAIM**
 The ornamental design for a patient support cart with mounting plate, as shown and described.

DESCRIPTION

FIG. 1 is a front perspective view of patient support cart with mounting plate, showing my new design;
 FIG. 2 is a front elevation view thereof;
 FIG. 3 is a back elevation view thereof;
 FIG. 4 is a right side elevation view thereof;
 FIG. 5 is a left side elevation view thereof;
 FIG. 6 is a top plan view thereof;
 FIG. 7 is a bottom plan view thereof; and,
 FIG. 8 is a front perspective view thereof, showing attached blood pumps and an oxygenator as environment.
 In the drawings, the broken lines are for the purpose of illustrating environment only and form no part of the claimed design.

- (56) **References Cited**
U.S. PATENT DOCUMENTS
 1,793,353 A 2/1931 Benson
 2,712,366 A 7/1951 Skupas
 2,783,055 A 2/1957 Michaud
 3,441,974 A 5/1969 Dean
 3,563,563 A 2/1971 Radovic
 3,831,960 A 8/1974 Walton
 3,951,426 A 4/1976 Shaffer et al.
 4,093,900 A 6/1978 Plunkett
 4,128,144 A 12/1978 Vassar
 4,248,445 A 2/1981 Vassar
 4,302,025 A 11/1981 Waddell et al.
 4,385,414 A 5/1983 Damico
 4,511,157 A 4/1985 Wilt
 4,515,235 A 5/1985 Yamamoto et al.

1 Claim, 7 Drawing Sheets



(56)

References Cited

U.S. PATENT DOCUMENTS

5,094,418 A 3/1992 Metzler et al.
 5,112,019 A 5/1992 Metzler et al.
 5,115,539 A 5/1992 Lee
 5,117,521 A 6/1992 Foster et al.
 5,118,127 A 6/1992 Partington
 5,205,381 A 4/1993 Mehmen
 5,261,682 A 11/1993 Chuang
 5,306,109 A 4/1994 Kreuzer et al.
 5,319,816 A 6/1994 Ruehl
 5,337,992 A 8/1994 Pryor et al.
 5,344,169 A 9/1994 Pryor et al.
 5,358,205 A 10/1994 Starkey et al.
 5,377,372 A 1/1995 Rudolf et al.
 5,411,044 A 5/1995 Andolfi
 5,476,432 A 12/1995 Dickens
 5,503,416 A 4/1996 Aoki et al.
 5,509,680 A 4/1996 Scharf et al.
 5,551,105 A 9/1996 Short
 5,699,988 A 12/1997 Boettger et al.
 5,704,577 A 1/1998 Gordon
 5,735,367 A 4/1998 Brubaker
 5,774,936 A 7/1998 Vetter
 5,857,685 A 1/1999 Phillips et al.
 5,898,961 A 5/1999 Ambach et al.
 5,927,441 A 7/1999 Luo
 6,000,486 A 12/1999 Romick et al.
 6,073,285 A 6/2000 Ambach et al.
 6,098,732 A 8/2000 Romick et al.
 6,099,002 A 8/2000 Uchiyama
 6,123,346 A 9/2000 Baldwin
 6,179,260 B1 1/2001 Ohanian
 D438,952 S 3/2001 Cimino et al.
 6,231,016 B1 5/2001 Slone
 D447,567 S 9/2001 Murphy et al.
 6,286,183 B1 9/2001 Stickel et al.
 6,315,308 B1 11/2001 Konopka
 6,360,389 B1 3/2002 Gallant
 6,375,133 B1 4/2002 Morrow
 6,394,470 B1 5/2002 Shirai
 D467,001 S 12/2002 Buczek et al.
 6,494,469 B1 12/2002 Hara et al.
 D477,083 S 7/2003 Bromley
 6,602,227 B1 8/2003 Cimino et al.
 6,626,445 B2 9/2003 Murphy et al.
 D486,915 S * 2/2004 Warschewske D24/185
 6,708,991 B1 3/2004 Ortlieb
 6,725,483 B2 4/2004 Gallant
 6,865,775 B2 3/2005 Ganance
 D503,981 S 4/2005 Fischer et al.
 6,874,800 B2 4/2005 George
 6,971,656 B2 12/2005 Lin
 D518,267 S 3/2006 Arceta
 7,182,178 B2 2/2007 Chung
 7,182,350 B1 2/2007 Liao
 7,243,666 B2 7/2007 Carroll
 7,490,837 B2 * 2/2009 Pond A61B 17/00
 280/47.35
 D588,272 S * 3/2009 Meiser D24/185
 7,562,883 B2 7/2009 Livengood et al.
 D598,107 S 8/2009 West et al.
 D606,202 S * 12/2009 Banryu D24/185
 D613,866 S * 4/2010 Tanaka D24/185
 D619,264 S 7/2010 Livengood et al.
 D619,265 S 7/2010 Livengood et al.
 D626,235 S * 10/2010 Smith D24/158

D632,796 S * 2/2011 Ross D24/185
 D632,797 S * 2/2011 Ross D24/185
 D643,535 S * 8/2011 Ross D24/164
 D648,855 S * 11/2011 Smith D24/158
 D652,936 S * 1/2012 Ross D24/185
 D657,470 S * 4/2012 Schon D24/186
 8,191,909 B2 6/2012 Livengood et al.
 8,240,684 B2 * 8/2012 Ross A61M 16/0051
 280/47.34
 8,286,977 B2 * 10/2012 Butler A61B 19/0248
 280/47.34
 D687,147 S * 7/2013 Yoshida D24/185
 D696,783 S * 12/2013 Chung D24/185
 D699,852 S * 2/2014 Chung D24/158
 D700,706 S * 3/2014 Molter D24/185
 D702,840 S * 4/2014 Blomquist D24/164
 D722,696 S * 2/2015 Blomquist D24/164
 D733,887 S * 7/2015 Blomquist D24/164
 D739,025 S * 9/2015 Blomquist D24/164
 D739,936 S * 9/2015 Blomquist D24/162
 2002/0014751 A1 2/2002 Hanson et al.
 2002/0068914 A1 6/2002 Ikeda
 2002/0096608 A1 7/2002 Cedarberg
 2004/0036386 A1 2/2004 Olivera
 2004/0046487 A1 3/2004 Olivera et al.
 2004/0059303 A1 3/2004 Anderson et al.
 2004/0105733 A1 6/2004 Hewitt
 2004/0139545 A1 7/2004 Reinke et al.
 2004/0262867 A1 12/2004 Arceta et al.
 2005/0023787 A1 2/2005 Haynes
 2005/0288571 A1 * 12/2005 Perkins A61B 5/0002
 600/407
 2006/0082088 A1 4/2006 Webster et al.
 2007/0107761 A1 5/2007 Kovachi et al.
 2011/0056412 A1 * 3/2011 Grammer A45C 9/00
 108/6
 2012/0246869 A1 10/2012 Livengood et al.

FOREIGN PATENT DOCUMENTS

WO WO 00/09061 2/2000
 WO WO 02/15837 2/2002
 WO WO 02/24252 3/2002
 WO WO 03/016719 2/2003
 WO WO 03/094817 11/2003

OTHER PUBLICATIONS

Author Unknown, "Computer Carts; StyleView™ Cart with CFT™", Ergotron, as early as Oct. 10, 2004, pp. 1-2, available at http://www.ergotron.com/3_products/carts/sview/default.asp.
 Examiner's Report for Canadian Design Patent Application No. 130231, mailed Nov. 20, 2009, 3 pages.
 Examiner's Report for Canadian Design Patent Application No. 130231, mailed Apr. 29, 2010, pp. 1-3.
 Examiner's Report for Canadian Design Patent Application No. 134450, mailed Apr. 29, 2010, pp. 1-4.
 Restriction Requirement for U.S. Appl. No. 29/325,581, mailed Nov. 10, 2009, pp. 1-4.
 Official Action for U.S. Appl. No. 29/325,581, mailed Dec. 10, 2009, pp. 1-6.
 Notice of Allowance for U.S. Appl. No. 29/325,581, mailed Apr. 23, 2010, pp. 1-7.
 Notice of Allowance for U.S. Appl. No. 29/350,539, mailed Apr. 26, 2010, pp. 1-7.

* cited by examiner

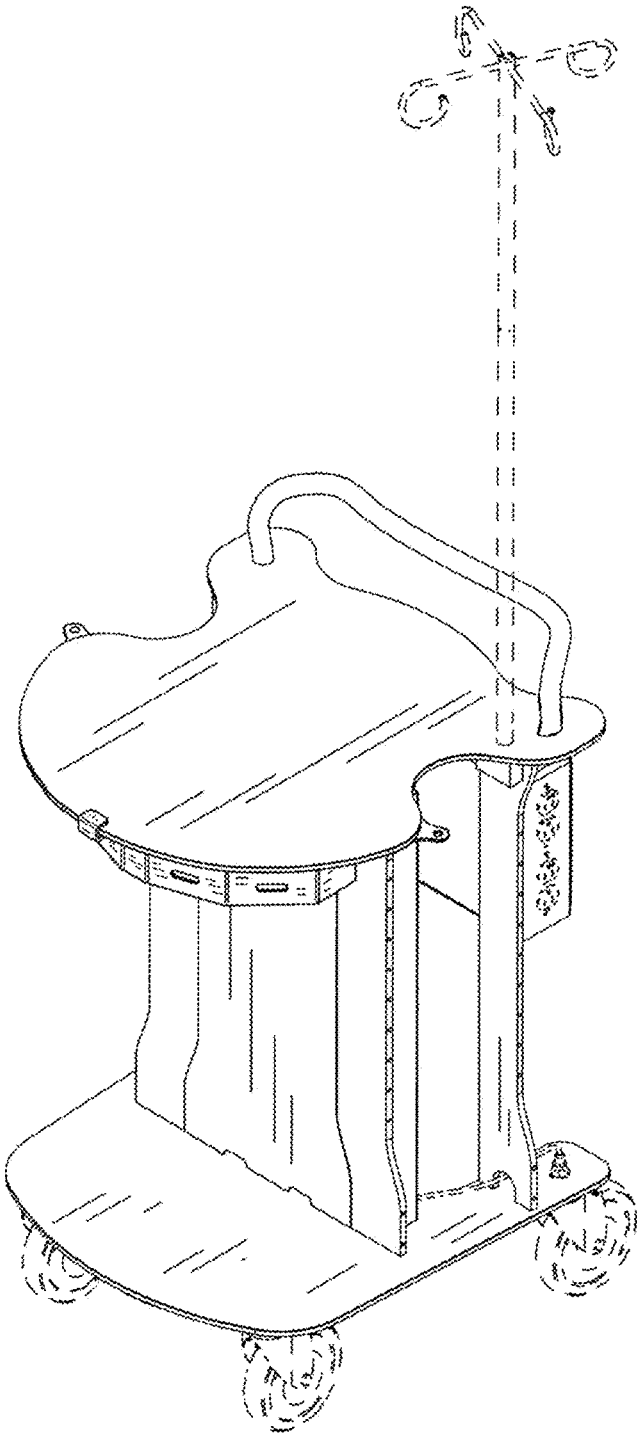


FIG. 1

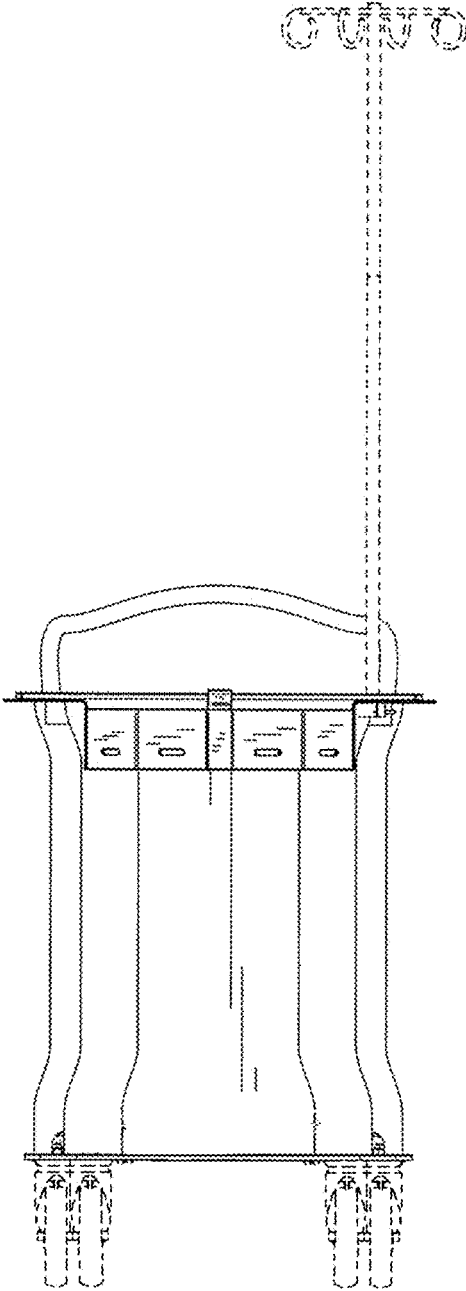


FIG. 2

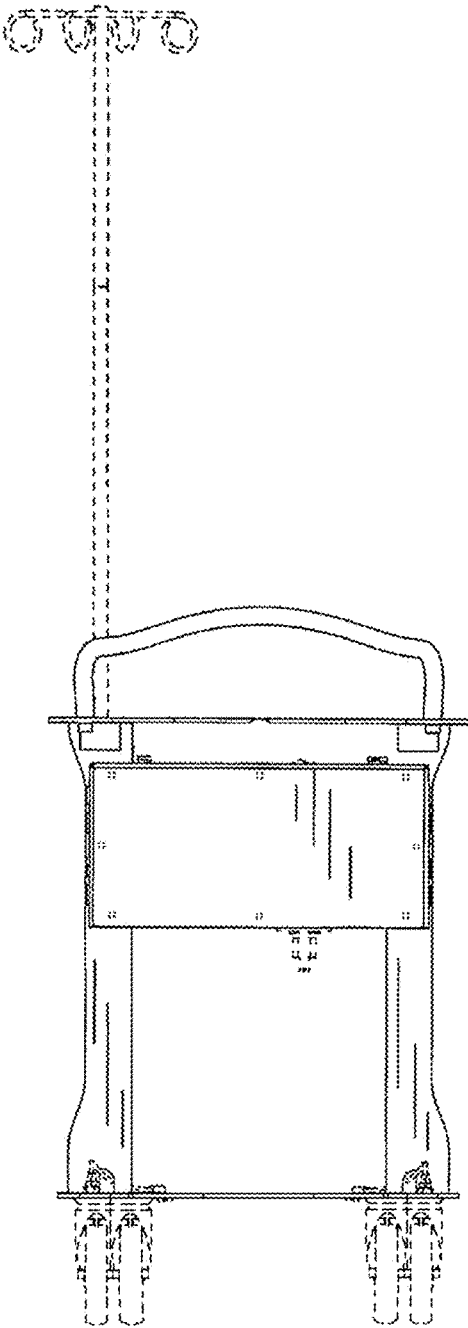


FIG. 3

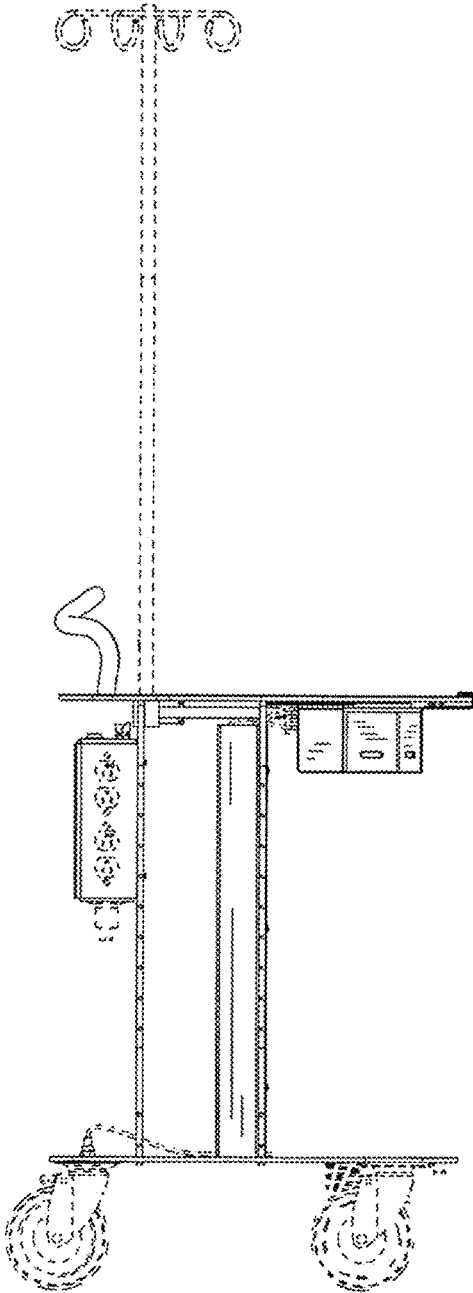


FIG. 4

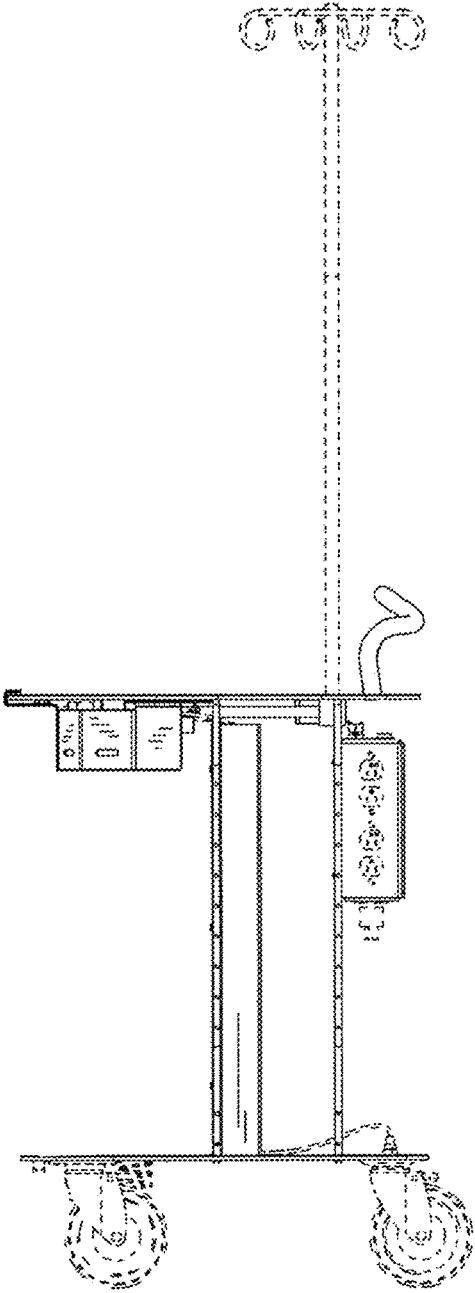


FIG. 5

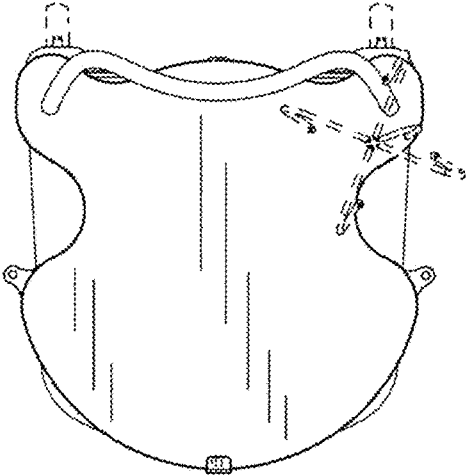


FIG. 6

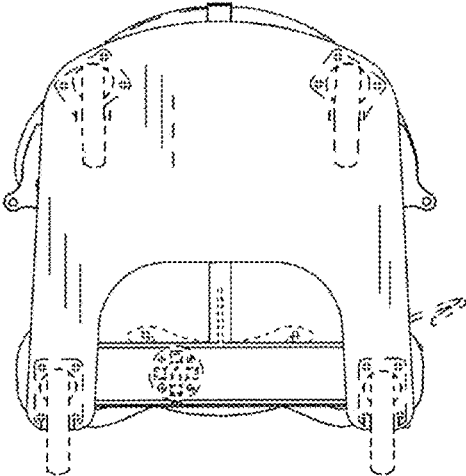


FIG. 7

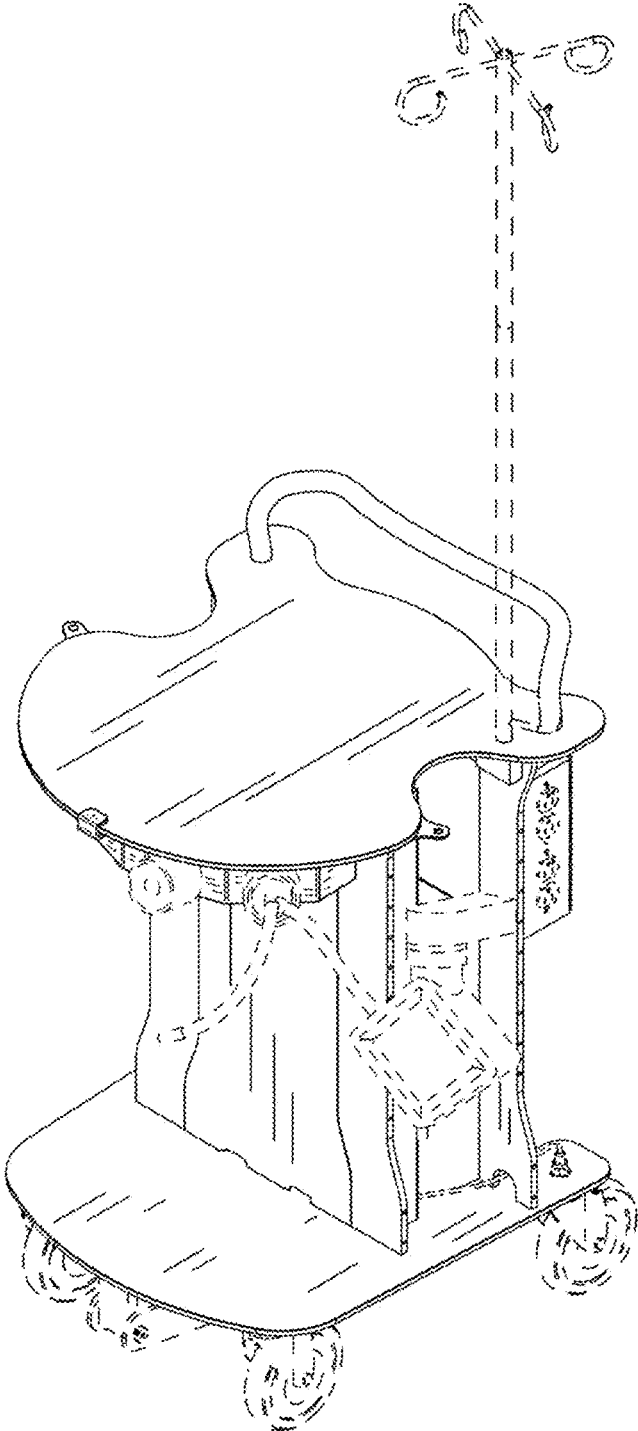


FIG. 8