

(19) World Intellectual Property Organization
International Bureau



(43) International Publication Date
6 December 2001 (06.12.2001)

PCT

(10) International Publication Number
WO 01/91978 A3

(51) International Patent Classification⁷: **A47B 97/00**,
B26B 11/00, G04B 47/00

(21) International Application Number: PCT/US01/17255

(22) International Filing Date: 29 May 2001 (29.05.2001)

(25) Filing Language: English

(26) Publication Language: English

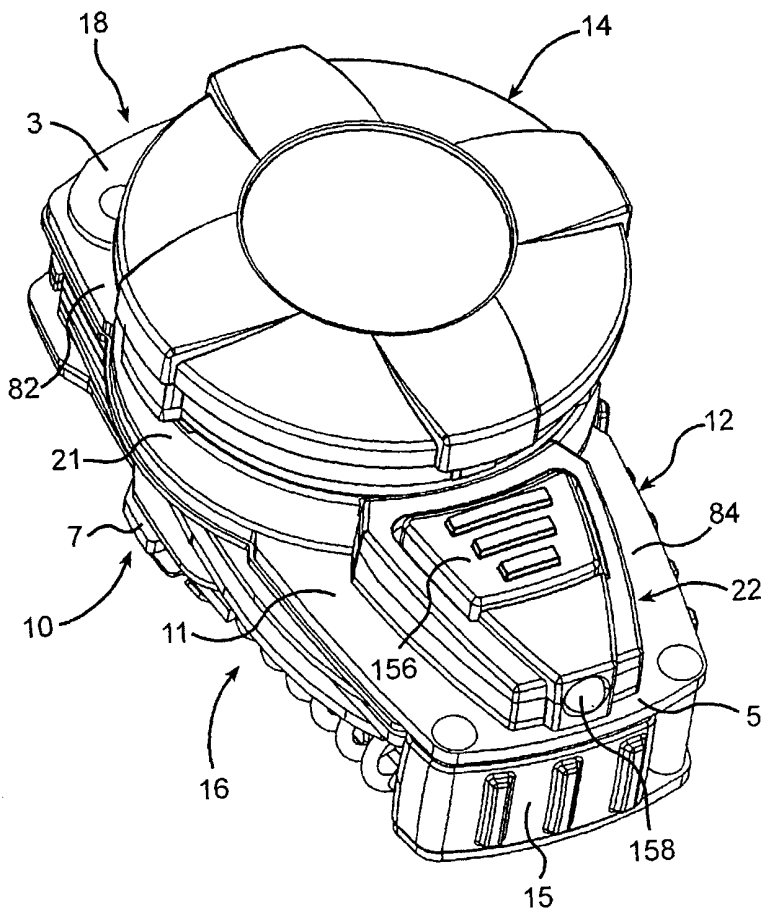
(30) Priority Data:
60/207,353 26 May 2000 (26.05.2000) US
60/258,095 26 December 2000 (26.12.2000) US

(71) Applicant (for all designated States except US): **IMPERIAL SCHRADER CORP.** [US/US]; 7 Schrade Court, P.O. Box 7000, Ellenville, NY 12428-0981 (US).

(72) Inventors; and
(75) Inventors/Applicants (for US only): **GARDINER, Walter, A.** [US/US]; Imperial Schrade Corp., 7 Schrade Court, P.O. Box 7000, Ellenville, NY 12428-0981 (US). **HUFNAGEL, Joseph, A.** [US/US]; Imperial Schrade Corp., 7 Schrade Court, P.O. Box 7000, Ellenville, NY 12428-0981 (US). **QUINN, James, O.** [US/US]; Imperial Schrade Corp., 7 Schrade Court, P.O. Box 7000, Ellenville, NY 12428-0981 (US). **LYNCH, Peter, F.** [US/US]; Chase Design Inc., 1400 East Genesee Street, Skaneateles, NY 13152 (US). **OSIECKI, Scott, W.** [US/US]; Chase Design Inc., 1400 East Genesee Street, Skaneateles, NY 13152 (US). **ENGLERT, Robert, S.** [US/US]; Chase Design Inc., 1400 East Genesee Street, Skaneateles, NY 13152 (US). **HAYDUKE, Nicholas, P.** [US/US]; Chase Design Inc., 1400 East Genesee Street, Skaneateles, NY 13152 (US).

[Continued on next page]

(54) Title: MULTI-PURPOSE EQUIPMENT



(57) Abstract: Multi-purpose equipment (10) is disclosed having a modular housing (12), a multi-function module (14) for containing electronic or mechanical devices, a tool pod (16) having multiple tools (106) pivotally attached thereto, an accessory compartment (18) for removably containing, for example, a disposable lighter (32). Module (14) is preferably removable and is adapted contain an electronic or mechanical device, such as a mechanical compass (172), an electronic compass (215), or other electronic devices. Tool pod (16) includes a plurality of pivotally attached tools (106). A lanyard (34) may also be provided to tether module (14) to housing (12).



WO 01/91978 A3



(74) **Agent:** SAIDMAN, Perry, J.; Saidman DesignLaw Group, Suite 510, 1110 Bonifant Street, Silver Spring, MD 20910 (US).

— *before the expiration of the time limit for amending the claims and to be republished in the event of receipt of amendments*

(81) **Designated States** (*national*): AU, CA, JP, US.

(84) **Designated States** (*regional*): European patent (AT, BE, CH, CY, DE, DK, ES, FI, FR, GB, GR, IE, IT, LU, MC, NL, PT, SE, TR).

(88) **Date of publication of the international search report:**
30 May 2002

Published:

— *with international search report*

For two-letter codes and other abbreviations, refer to the "Guidance Notes on Codes and Abbreviations" appearing at the beginning of each regular issue of the PCT Gazette.

INTERNATIONAL SEARCH REPORT

International application No.

PCT/US01/17255

A. CLASSIFICATION OF SUBJECT MATTER

IPC(7) :A47B 97/00; B26B 11/00; G04B 47/00

US CL :312/352; 7/118, 119; 368/10

According to International Patent Classification (IPC) or to both national classification and IPC

B. FIELDS SEARCHED

Minimum documentation searched (classification system followed by classification symbols)

U.S. : 312/352; 7/118, 119, 151, 154, 155, 156, 158, 160, 163, 164, 167, 168, 170; 368/10, 223

Documentation searched other than minimum documentation to the extent that such documents are included in the fields searched

Electronic data base consulted during the international search (name of data base and, where practicable, search terms used)

EAST DATABASE

C. DOCUMENTS CONSIDERED TO BE RELEVANT

Category*	Citation of document, with indication, where appropriate, of the relevant passages	Relevant to claim No.
X	US 5,313,376 A (McINTOSH) 17 May 1994, figures 1-8.	1-2, 4-5, 7-12, 16-27, 29-30, 32-43, 48-52
X	US 4,854,045 A (SCHAUB) 08 August 1989, figures 1-8.	1-2, 5-6, 11-15, 25-26, 30-31, 36-38, 41, 43, 45, 48-52
A	US 5,617,597 A (REITZ) 08 April 1997, figures 1-9.	1-52
A, E	US 6,273,582 B1 (TAGGART et al) 14 August 2001, figures 1-17.	1-52

 Further documents are listed in the continuation of Box C. See patent family annex.

* Special categories of cited documents:	"T"	later document published after the international filing date or priority date and not in conflict with the application but cited to understand the principle or theory underlying the invention
"A" document defining the general state of the art which is not considered to be of particular relevance	"X"	document of particular relevance; the claimed invention cannot be considered novel or cannot be considered to involve an inventive step when the document is taken alone
"E" earlier document published on or after the international filing date	"Y"	document of particular relevance; the claimed invention cannot be considered to involve an inventive step when the document is combined with one or more other such documents, such combination being obvious to a person skilled in the art
"L" document which may throw doubts on priority claim(s) or which is cited to establish the publication date of another citation or other special reason (as specified)	"&"	document member of the same patent family
"O" document referring to an oral disclosure, use, exhibition or other means		
"P" document published prior to the international filing date but later than the priority date claimed		

Date of the actual completion of the international search

05 MARCH 2002

Date of mailing of the international search report

01 APR 2002

Name and mailing address of the ISA/US
Commissioner of Patents and Trademarks
Box PCT
Washington, D.C. 20231

Facsimile No. (703) 305-3230

Authorized officer

JAMES O. HANSEN

Telephone No. (703) 305-3257

INTERNATIONAL SEARCH REPORT

International application No.
PCT/US01/17255

C (Continuation). DOCUMENTS CONSIDERED TO BE RELEVANT		
Category*	Citation of document, with indication, where appropriate, of the relevant passages	Relevant to claim No.
A	US 6,144,619 A (REISMAN) 07 November 2000, figures 1-6.	57-61
A	US 5,790,477 A (HAUKE) 04 August 1998, figures 1-13.	57-61

INTERNATIONAL SEARCH REPORT

International application No.
PCT/US01/17255

Box I Observations where certain claims were found unsearchable (Continuation of item 1 of first sheet)

This international report has not been established in respect of certain claims under Article 17(2)(a) for the following reasons:

1. Claims Nos.:
because they relate to subject matter not required to be searched by this Authority, namely:

2. Claims Nos.:
because they relate to parts of the international application that do not comply with the prescribed requirements to such an extent that no meaningful international search can be carried out, specifically:

3. Claims Nos.:
because they are dependent claims and are not drafted in accordance with the second and third sentences of Rule 6.4(a).

Box II Observations where unity of invention is lacking (Continuation of item 2 of first sheet)

This International Searching Authority found multiple inventions in this international application, as follows:

Please See Extra Sheet.

1. As all required additional search fees were timely paid by the applicant, this international search report covers all searchable claims.
2. As all searchable claims could be searched without effort justifying an additional fee, this Authority did not invite payment of any additional fee.
3. As only some of the required additional search fees were timely paid by the applicant, this international search report covers only those claims for which fees were paid, specifically claims Nos.:

4. No required additional search fees were timely paid by the applicant. Consequently, this international search report is restricted to the invention first mentioned in the claims; it is covered by claims Nos.:

Remark on Protest

- The additional search fees were accompanied by the applicant's protest.
 No protest accompanied the payment of additional search fees.

INTERNATIONAL SEARCH REPORT

International application No.
PCT/US01/17255

BOX II. OBSERVATIONS WHERE UNITY OF INVENTION WAS LACKING

This ISA found multiple inventions as follows:

Group I, claims 1-56, drawn to "multi-purpose" equipment.

Group II, claims 57-61, drawn to an electronic device.

The inventions listed as Groups I and II do not relate to a single inventive concept under PCT Rule 13.1 because, under PCT Rule 13.2, they lack the same or corresponding special technical features for the following reasons: the special technical feature of the Group I invention is a housing including an accessory compartment and a tool, while the special technical feature of the Group II invention is an electronic display including modes, buttons and functions. Since the special technical feature of the Group I invention is not present in the Group II claims and the special technical feature of the Group II invention is not present in the Group I claims, unity of invention is lacking.