



(51) International Patent Classification:

A61F 13/53 (2006.01) A61F 13/15 (2006.01)  
A61F 13/49 (2006.01) A61F 13/02 (2006.01)

(21) International Application Number:

PCT/IB2011/054024

(22) International Filing Date:

14 September 2011 (14.09.2011)

(25) Filing Language:

English

(26) Publication Language:

English

(30) Priority Data:

12/856,120 8 October 2010 (08.10.2010) US

(71) Applicant (for all designated States except US): **KIMBERLY-CLARK WORLDWIDE, INC.** [US/US]; Neenah, Wisconsin 54956 (US).

(72) Inventors; and

(75) Inventors/Applicants (for US only): **ZHOU, Peiguang** [US/US]; N362 Tamarack Drive, Appleton, Wisconsin 54915 (US). **TYRRELL, David, John** [US/US]; 101 1/2 East College Avenue, Appleton, Wisconsin 54911 (US).

**LONG, Andrew, M.** [US/US]; 1320 S. Riverview Lane, Appleton, Wisconsin 54915 (US). **DEMARCO, Alphonse, C.** [US/US]; N1768 Swanee Circle, Greenville, Wisconsin 54942 (US). **SOERENS, Dave, Allen** [US/US]; 736 Kensington Road, Neenah, Wisconsin 54956 (US). **VONGSA, Rebecca, Ann** [US/US]; 1376 Whispering Pines Lane, Neenah, Wisconsin 54956 (US).

(74) Agents: **PIERRE, Kenya, T.** et al.; 2300 Winchester Road, Neenah, Wisconsin 54956 (US).

(81) Designated States (unless otherwise indicated, for every kind of national protection available): AE, AG, AL, AM, AO, AT, AU, AZ, BA, BB, BG, BH, BR, BW, BY, BZ, CA, CH, CL, CN, CO, CR, CU, CZ, DE, DK, DM, DO, DZ, EC, EE, EG, ES, FI, GB, GD, GE, GH, GM, GT, HN, HR, HU, ID, IL, IN, IS, JP, KE, KG, KM, KN, KP, KR, KZ, LA, LC, LK, LR, LS, LT, LU, LY, MA, MD, ME, MG, MK, MN, MW, MX, MY, MZ, NA, NG, NI, NO, NZ, OM, PE, PG, PH, PL, PT, QA, RO, RS, RU, RW, SC, SD, SE, SG, SK, SL, SM, ST, SV, SY, TH, TJ, TM, TN, TR, TT, TZ, UA, UG, US, UZ, VC, VN, ZA, ZM, ZW.

(84) Designated States (unless otherwise indicated, for every kind of regional protection available): ARIPO (BW, GH,

[Continued on next page]

(54) Title: ARTICLE WITH HEALTH-BENEFIT AGENT DELIVERY SYSTEM

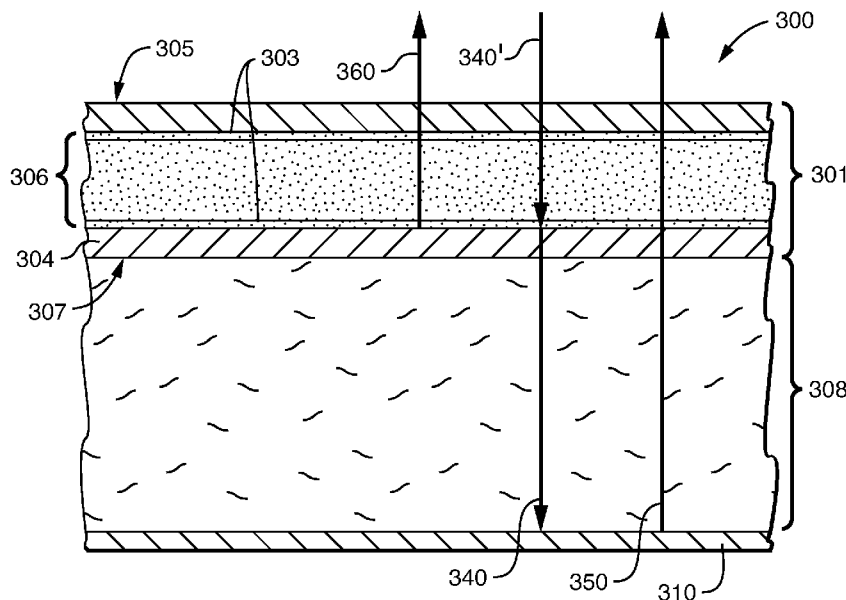


FIG. 5

(57) Abstract: A laminate having health-benefit agents therein is made by particle stabilization within the lamination process. By changing the substrate type (tissue, nonwoven, film) and/or the physical composition and/or attributes of the laminate layers, the release of the health-benefit agents can be controlled. The laminate, sometimes referred to as a liner, may be used in personal absorbent articles such as diapers, feminine pads, bandages, bed pads, and the like.





GM, KE, LR, LS, MW, MZ, NA, SD, SL, SZ, TZ, UG, ZM, ZW), Eurasian (AM, AZ, BY, KG, KZ, MD, RU, TJ, TM), European (AL, AT, BE, BG, CH, CY, CZ, DE, DK, EE, ES, FI, FR, GB, GR, HR, HU, IE, IS, IT, LT, LU, LV, MC, MK, MT, NL, NO, PL, PT, RO, RS, SE, SI, SK, SM, TR), OAPI (BF, BJ, CF, CG, CI, CM, GA, GN, GQ, GW, ML, MR, NE, SN, TD, TG).

— *before the expiration of the time limit for amending the claims and to be republished in the event of receipt of amendments (Rule 48.2(h))*

**(88) Date of publication of the international search report:**  
28 March 2013

**Published:**

— *with international search report (Art. 21(3))*

**A. CLASSIFICATION OF SUBJECT MATTER***A61F 13/53(2006.01)i, A61F 13/49(2006.01)i, A61F 13/15(2006.01)i, A61F 13/02(2006.01)i*

According to International Patent Classification (IPC) or to both national classification and IPC

**B. FIELDS SEARCHED**

Minimum documentation searched (classification system followed by classification symbols)

A61F 13/53; A61L 15/18; A61F 13/15; A61L 15/60; A61L 15/46; A61F 5/441; A61L 15/36

Documentation searched other than minimum documentation to the extent that such documents are included in the fields searched

Korean utility models and applications for utility models

Japanese utility models and applications for utility models

Chinese utility models and applications for utility models

Electronic data base consulted during the international search (name of data base and, where practicable, search terms used)

KOMPASS(KIPO internal) &amp; Keywords: absorbent, health-benefit, adhesive, and diaper

**C. DOCUMENTS CONSIDERED TO BE RELEVANT**

Category*	Citation of document, with indication, where appropriate, of the relevant passages	Relevant to claim No.
X A	WO 2005-044163 A1 (KIMBERLY-CLARK WORLDWIDE, INC. et al.) 19 May 2005 See abstract; paragraphs [0085], [0092]; claims 1, 14, 16; figs. 4, 7-10.	14 1-13,15-18
A	WO 99-06078 A1 (THE PROCTER & GAMBLE COMPANY) 11 February 1999 See page 1, lines 5-9; page 6, lines 9-13; page 7 lines 29-32; page 8 lines 1-3; claim 1; fig. 2.	1-18
A	WO 2008-054268 A1 (SCA HYGIENE PRODUCTS AB et al.) 08 May 2008 See abstract; claims 1, 20; fig. 2a.	1-18
A	US 2006-0020250 A1 (CHESTER, S. O.; BAER, S. C.) 26 January 2006 See abstract; figs. 1-3.	1-18
A	EP 1118343 A1 (THE PROCTER & GAMBLE COMPANY) 25 July 2001 See abstract; fig. 1.	1-18

 Further documents are listed in the continuation of Box C. See patent family annex.

\* Special categories of cited documents:

"A" document defining the general state of the art which is not considered to be of particular relevance

"E" earlier application or patent but published on or after the international filing date

"L" document which may throw doubts on priority claim(s) or which is cited to establish the publication date of citation or other special reason (as specified)

"O" document referring to an oral disclosure, use, exhibition or other means

"P" document published prior to the international filing date but later than the priority date claimed

"T" later document published after the international filing date or priority date and not in conflict with the application but cited to understand the principle or theory underlying the invention

"X" document of particular relevance; the claimed invention cannot be considered novel or cannot be considered to involve an inventive step when the document is taken alone

"Y" document of particular relevance; the claimed invention cannot be considered to involve an inventive step when the document is combined with one or more other such documents, such combination being obvious to a person skilled in the art

"&amp;" document member of the same patent family

Date of the actual completion of the international search

25 JANUARY 2013 (25.01.2013)

Date of mailing of the international search report

**28 JANUARY 2013 (28.01.2013)**

Name and mailing address of the ISA/KR

Korean Intellectual Property Office  
189 Cheongsu-ro, Seo-gu, Daejeon Metropolitan  
City, 302-701, Republic of Korea

Facsimile No. 82-42-472-7140

Authorized officer

OH, CHANG SEOK

Telephone No. 82-42-481-5721



**Box No. II Observations where certain claims were found unsearchable (Continuation of item 2 of first sheet)**

This international search report has not been established in respect of certain claims under Article 17(2)(a) for the following reasons:

1.  Claims Nos.:  
because they relate to subject matter not required to be searched by this Authority, namely:
  
2.  Claims Nos.: 19  
because they relate to parts of the international application that do not comply with the prescribed requirements to such an extent that no meaningful international search can be carried out, specifically:  
Claim 19 refers to nonexistent claim 21.
  
3.  Claims Nos.: 19  
because they are dependent claims and are not drafted in accordance with the second and third sentences of Rule 6.4(a).

**Box No. III Observations where unity of invention is lacking (Continuation of item 3 of first sheet)**

This International Searching Authority found multiple inventions in this international application, as follows:

1.  As all required additional search fees were timely paid by the applicant, this international search report covers all searchable claims.
2.  As all searchable claims could be searched without effort justifying an additional fee, this Authority did not invite payment of any additional fee.
3.  As only some of the required additional search fees were timely paid by the applicant, this international search report covers only those claims for which fees were paid, specifically claims Nos.:
  
4.  No required additional search fees were timely paid by the applicant. Consequently, this international search report is restricted to the invention first mentioned in the claims; it is covered by claims Nos.:

**Remark on Protest**

- The additional search fees were accompanied by the applicant's protest and, where applicable, the payment of a protest fee.
- The additional search fees were accompanied by the applicant's protest but the applicable protest fee was not paid within the time limit specified in the invitation.
- No protest accompanied the payment of additional search fees.

**INTERNATIONAL SEARCH REPORT**

Information on patent family members

International application No.

**PCT/IB2011/054024**

Patent document cited in search report	Publication date	Patent family member(s)	Publication date
WO 2005-044163 A1	19.05.2005	CN 1867308 A	22.11.2006
		CN 1867308 C0	05.11.2008
		EP 1677721 A1	12.07.2006
		JP 2007-509694 A	19.04.2007
		JP 2007-509694 T	19.04.2007
		KR 10-1200174 B1	13.11.2012
		KR 20060090703A	14.08.2006
		MX PA06004184A	28.06.2006
		US 2005-0096623 A1	05.05.2005
		US 2011-0112498 A1	12.05.2011
		US 2011-0114245 A1	19.05.2011
		US 7872168 B2	18.01.2011
		ZA 200603067A	31.10.2007
		WO 99-06078 A1	11.02.1999
BR 9811717 A	15.08.2000		
CA 2297802 A1	11.02.1999		
CN 1269730 A0	11.10.2000		
EP 0894502 A1	03.02.1999		
EP 1009449 A1	21.06.2000		
JP 2001-511397 A	14.08.2001		
JP 2001-511397 T	14.08.2001		
KR 10-2001-0022299 A	15.03.2001		
WO 99-06078A1	11.02.1999		
WO 2008-054268 A1	08.05.2008		
		AU 2006-350318 A1	08.05.2008
		CA 2667434 A1	08.05.2008
		CN 101534763 A	16.09.2009
		EP 2083781 A1	05.08.2009
		EP 2083781 A4	07.09.2011
		JP 2010-508886 A	25.03.2010
		JP 2010-508886 T	25.03.2010
		MX 2009004675 A	03.06.2009
		TW 200826905 A	01.07.2008
		US 2010-0262097 A1	14.10.2010
		US 8178746 B2	15.05.2012
		US 2006-0020250 A1	26.01.2006
MX 2007000876 A	12.03.2007		
WO 2006-012481 A1	02.02.2006		
EP 1118343 A1	25.07.2001	AU 2001-32816 A1	31.07.2001
		AU 2001-34465 A1	31.07.2001
		EP 1118339 A1	25.07.2001
		EP 1118340 A1	25.07.2001
		EP 1118342 A1	25.07.2001
		EP 1118344 A1	25.07.2001
		EP 1257303 A1	20.11.2002

**INTERNATIONAL SEARCH REPORT**

Information on patent family members

International application No.

**PCT/IB2011/054024**

Patent document cited in search report	Publication date	Patent family member(s)	Publication date
		EP 1257303 B1	27.04.2005
		EP 1257303 B2	28.10.2009
		EP 1263483 A1	11.12.2002
		EP 1263483 B1	07.03.2007
		JP 2003-520105 A	02.07.2003
		US 2003-0003138 A1	02.01.2003
		US 2003-0012810 A1	16.01.2003
		US 6967025 B2	22.11.2005
		WO 01-52912 A1	26.07.2001
		WO 01-52913 A1	26.07.2001