



US00D985802S

(12) **United States Design Patent**  
**Frobosilo et al.**

(10) **Patent No.:** **US D985,802 S**

(45) **Date of Patent:** **\*\* May 9, 2023**

(54) **ISOLATED RESILIENT CHANNEL**

3,477,187 A \* 11/1969 Fruman ..... E04F 13/0803  
D25/119

(71) Applicant: **Super Stud Building Products, Inc.**,  
Edison, NJ (US)

7,191,570 B1 \* 3/2007 Eaton ..... E04F 13/0803  
52/506.09

(72) Inventors: **Raymond C. Frobosilo**, Edison, NJ  
(US); **William Donnell Allen**, Edison,  
NJ (US)

D613,831 S \* 4/2010 Bradbeer ..... D23/267  
(Continued)

**FOREIGN PATENT DOCUMENTS**

(73) Assignee: **SUPER STUD BUILDING**  
**PRODUCTS, INC.**, Edison, NJ (US)

KR 200347272 Y1 4/2004  
KR 20050069677 A 7/2005  
KR 20090003503 U 4/2009

(\*\*) Term: **15 Years**

**OTHER PUBLICATIONS**

(21) Appl. No.: **29/785,098**

Super Stud, Spec sheet for RC Super resilient channel, undated.

(22) Filed: **May 24, 2021**

(Continued)

(51) **LOC (14) Cl.** ..... **25-01**

*Primary Examiner* — Llorellys Martinez

(52) **U.S. Cl.** ..... **D25/121**

(74) *Attorney, Agent, or Firm* — Notaro, Michalos &  
Zaccaria P.C.

(58) **Field of Classification Search**

USPC ..... D25/55, 61, 119–123, 164, 199;  
D23/393

CPC ..... E04B 9/064; E04B 9/065; E04B 9/068;  
E04B 9/10; E04B 9/18; E04B 9/183;  
E04B 9/30; E04B 1/2403; E04B 1/84;  
E04B 1/99; E04B 2001/8281; E04C 3/00;  
E04C 3/04; E04C 3/09; E04C 2/00; E04F  
13/0803; E04F 19/062; E04F 19/063;  
E04F 19/064

(57) **CLAIM**

The ornamental design for an isolated resilient channel, as  
shown and described.

See application file for complete search history.

**DESCRIPTION**

(56) **References Cited**

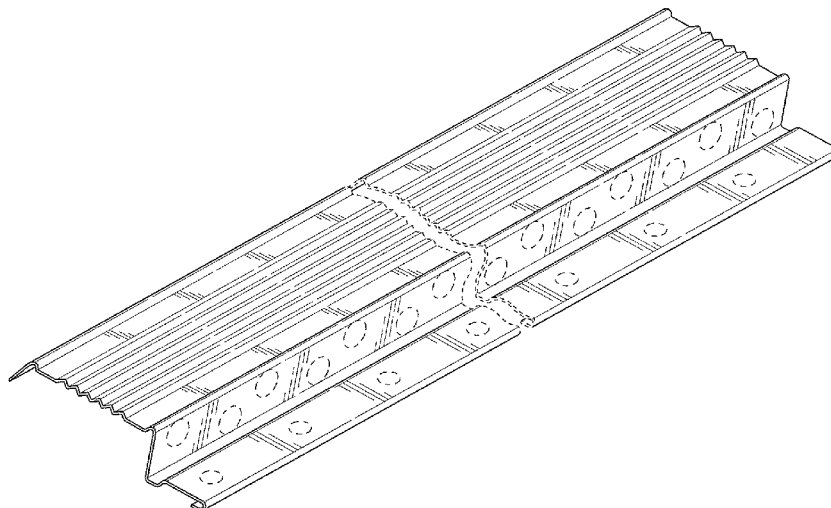
**U.S. PATENT DOCUMENTS**

D196,840 S \* 11/1963 Case ..... D25/123  
3,202,077 A \* 8/1965 Lee ..... E04B 9/02  
454/301  
3,233,297 A \* 2/1966 Havener ..... E04B 9/205  
403/397  
3,333,379 A \* 8/1967 Harris ..... E04F 13/0803  
52/364  
3,421,281 A \* 1/1969 Harris ..... E04F 13/0803  
52/483.1

FIG. 1 is a top, front, left isometric view of an isolated  
resilient channel, showing our new design.  
FIG. 2 is a front elevational view thereof;  
FIG. 3 is a rear elevational view thereof;  
FIG. 4 is a left elevational view thereof;  
FIG. 5 is a right elevational view thereof;  
FIG. 6 is a top plan view thereof; and,  
FIG. 7 is a bottom plan view thereof.

The broken lines in the drawings represent portions of the  
isolated resilient channel that form no part of the claimed  
design. The isolated resilient channel is shown with a  
symbolic break in its length. The appearance of any portion  
of the isolated resilient channel between the break lines  
forms no part of the claimed design.

**1 Claim, 6 Drawing Sheets**



(56)

**References Cited**

## U.S. PATENT DOCUMENTS

D613,832 S \* 4/2010 Bradbeer ..... D23/267  
D702,860 S \* 4/2014 Rice ..... D25/119  
D751,732 S \* 3/2016 Sparks ..... D25/121  
9,388,572 B2 7/2016 Gates  
9,856,642 B2 \* 1/2018 Ukrainetz ..... E04F 13/0803  
10,260,241 B2 \* 4/2019 Kaligian, II ..... E04B 1/99  
10,815,669 B2 \* 10/2020 Diercks ..... E04F 13/0803  
11,286,676 B2 \* 3/2022 Nelson ..... E04F 13/0803  
2011/0146180 A1 \* 6/2011 Klein ..... E04B 2/7453  
52/317  
2013/0042571 A1 \* 2/2013 Mears ..... E04F 13/0803  
52/716.8  
2013/0291465 A1 \* 11/2013 Resso ..... E04F 13/0805  
52/302.1  
2016/0024805 A1 \* 1/2016 Graziano ..... E04C 3/04  
428/34.1  
2019/0078335 A1 \* 3/2019 Kaligian, II ..... E04B 1/84  
2022/0120091 A1 \* 4/2022 Letham ..... E04F 13/0803  
2022/0372758 A1 \* 11/2022 Frobosilo ..... E04F 13/0803

## OTHER PUBLICATIONS

Super Stud, printout of web page, <https://www.buysuperstud.com/products/clips-and-accessories/resilient-channel>, retrieved May 19, 2021.

\* cited by examiner

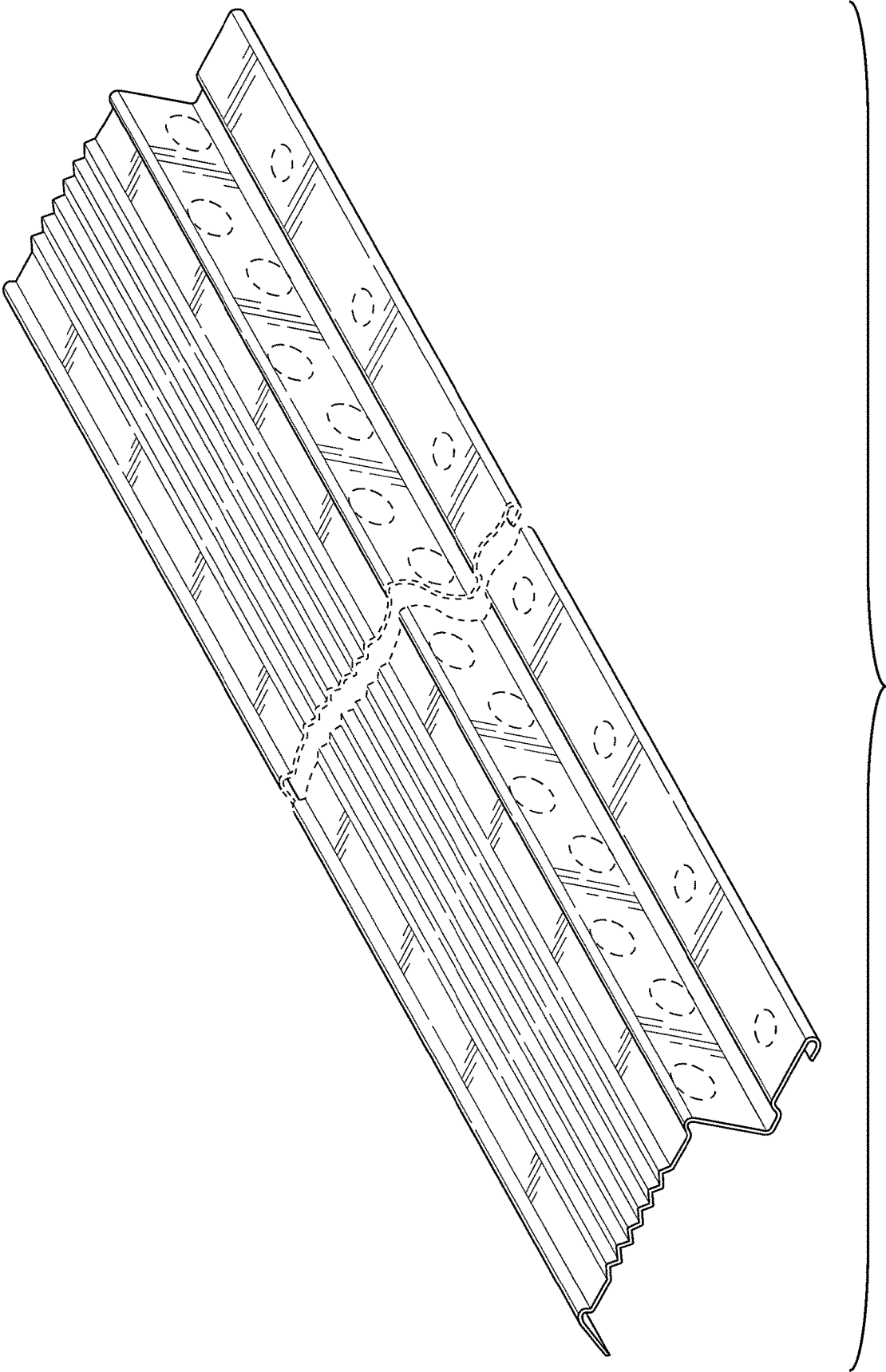


FIG. 1

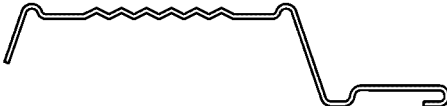


FIG. 2

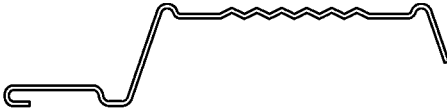


FIG. 3

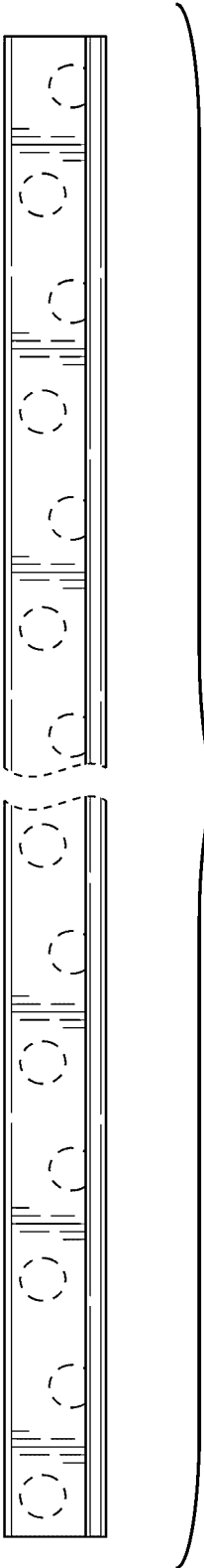


FIG. 4

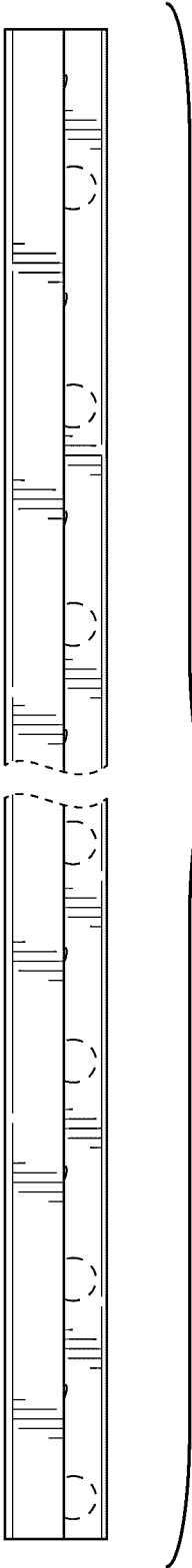


FIG. 5

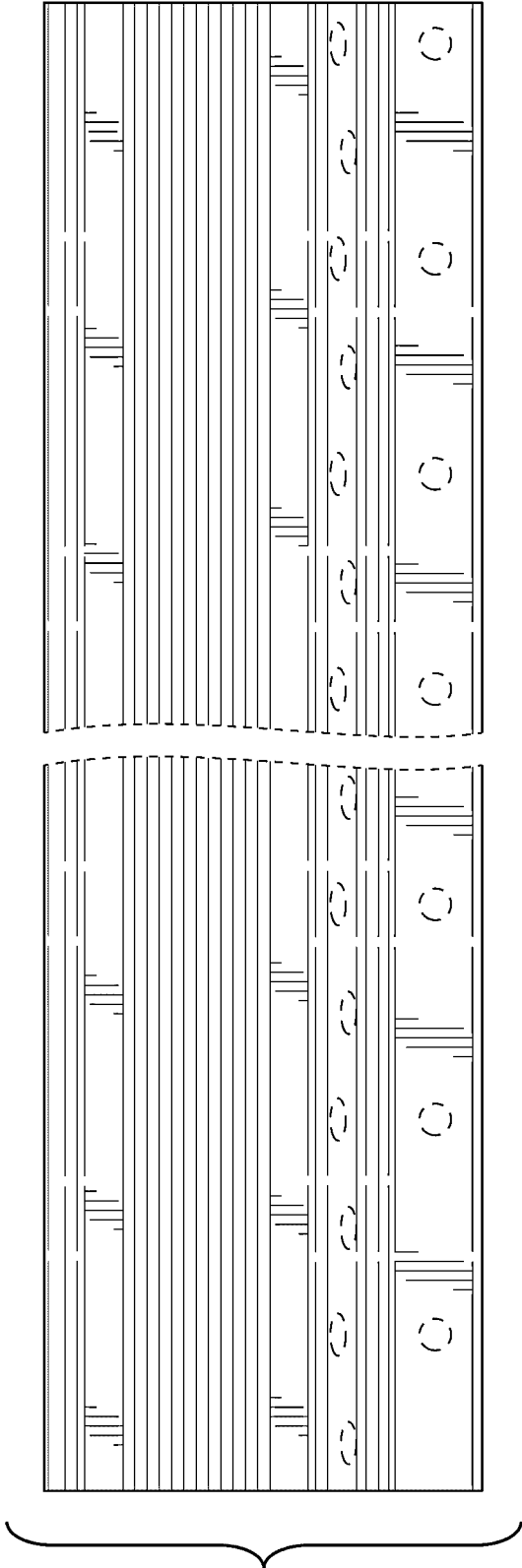


FIG. 6

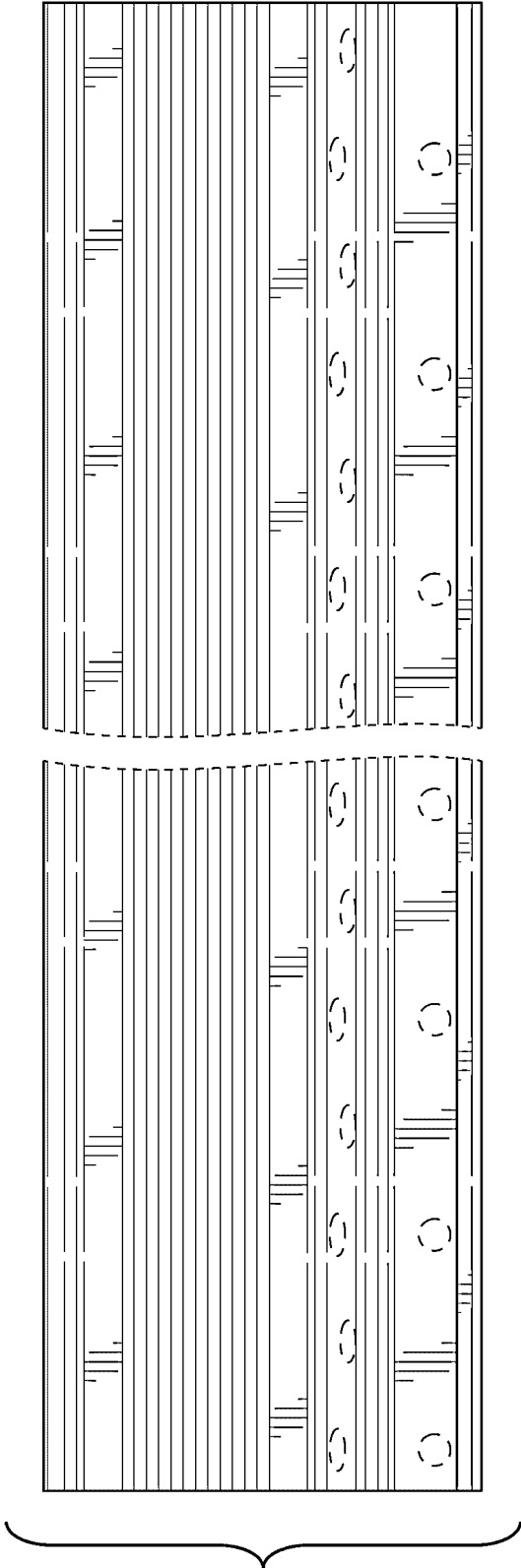


FIG. 7