

(19) World Intellectual Property
Organization
International Bureau



(43) International Publication Date
17 February 2005 (17.02.2005)

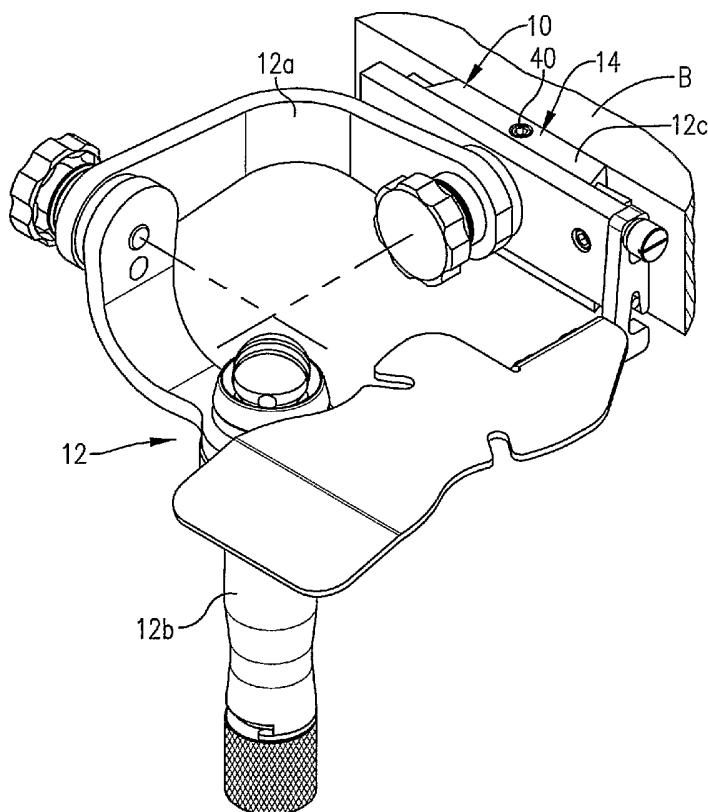
PCT

(10) International Publication Number
WO 2005/014227 A3

- (51) International Patent Classification⁷: B23Q 1/25, 3/02, B25B 1/00, 1/22
- (74) Agent: AYRES, David, V.; Hovey Williams LLP, 2405 Grand Boulevard, Suite 400, Kansas City, MO 64108 (US).
- (21) International Application Number: PCT/US2004/025753
- (81) Designated States (unless otherwise indicated, for every kind of national protection available): AE, AG, AL, AM, AT, AU, AZ, BA, BB, BG, BR, BW, BY, BZ, CA, CH, CN, CO, CR, CU, CZ, DE, DK, DM, DZ, EC, EE, EG, ES, FI, GB, GD, GE, GH, GM, HR, HU, ID, IL, IN, IS, JP, KE, KG, KP, KR, KZ, LC, LK, LR, LS, LT, LU, LV, MA, MD, MG, MK, MN, MW, MX, MZ, NA, NI, NO, NZ, OM, PG, PH, PL, PT, RO, RU, SC, SD, SE, SG, SK, SL, SY, TJ, TM, TN, TR, TT, TZ, UA, UG, US, UZ, VC, VN, YU, ZA, ZM, ZW.
- (22) International Filing Date: 6 August 2004 (06.08.2004)
- (25) Filing Language: English
- (26) Publication Language: English
- (30) Priority Data: 10/604,660 7 August 2003 (07.08.2003) US
- (71) Applicant (for all designated States except US): GLENDO CORPORATION [US/US]; 900 Overlander Road, Emporia, KS 66801 (US).
- (84) Designated States (unless otherwise indicated, for every kind of regional protection available): ARIPO (BW, GH, GM, KE, LS, MW, MZ, NA, SD, SL, SZ, TZ, UG, ZM, ZW), Eurasian (AM, AZ, BY, KG, KZ, MD, RU, TJ, TM), European (AT, BE, BG, CH, CY, CZ, DE, DK, EE, ES, FI, FR, GB, GR, HU, IE, IT, LU, MC, NL, PL, PT, RO, SE, SI, SK, TR), OAPI (BF, BJ, CF, CG, CI, CM, GA, GN, GQ, GW, ML, MR, NE, SN, TD, TG).
- (72) Inventors; and
- (75) Inventors/Applicants (for US only): GLASER, Donald, J. [US/US]; 900 Overlander Road, Emporia, KS 66801 (US). TIDWELL, Lon, C. [US/US]; 630 Weaver, Emporia, KS 66801 (US).

[Continued on next page]

(54) Title: LOCKABLE MOUNT PLATE



(57) Abstract: A lockable mount (10) constructed in accordance with the principles of a preferred embodiment of the present invention and configured for mounting a jewelry crafting attachment (12) to a workbench (B). The illustrated lockable mount (10) broadly includes a mount plate (14) configured to be coupled to the support (B) to receive the attachment (12) and a locking assembly (16) associated with the mount plate (14) for selectively preventing the attachment (12) from moving relative to the mount plate (14). The illustrated mount plate (14) is configured to provide a universal mount wherein several attachments can be quickly and readily interchanged for secure support thereon and comprises a six sided body presenting a generally trapezoidal configuration. The illustrated locking assembly (16) includes a flexible locking plate (36), an entrapped pin (38), and an actuating screw (40). The flexible locking plate (36) is shiftable between a flush position and a locking position. The inventive mount (10) provides a universal lockable mount that allows for quick and easy interchange among various mountable attachments yet also enables any one of the attachments to be selectively locked to the mount (10) for a secure mount that generally prevents undesired movement of the attachment.

WO 2005/014227 A3



Published:

— *with international search report*

(88) Date of publication of the international search report:

3 November 2005

For two-letter codes and other abbreviations, refer to the "Guidance Notes on Codes and Abbreviations" appearing at the beginning of each regular issue of the PCT Gazette.

INTERNATIONAL SEARCH REPORT

International application No.

PCT/US04/25753

A. CLASSIFICATION OF SUBJECT MATTER
 IPC(7) : B23Q 1/25, 3/02; B25B 1/00, 1/22
 US CL : 269/71, 95, 3, 6, 76, 97, 101
 According to International Patent Classification (IPC) or to both national classification and IPC

B. FIELDS SEARCHED
 Minimum documentation searched (classification system followed by classification symbols)
 U.S. : 269/71, 95, 3, 6, 76, 97, 101

Documentation searched other than minimum documentation to the extent that such documents are included in the fields searched

Electronic data base consulted during the international search (name of data base and, where practicable, search terms used)
 LOCK AND PLATE AND SCREWS; ELECTRIC AND JUNCTION AND BOX

C. DOCUMENTS CONSIDERED TO BE RELEVANT

Category *	Citation of document, with indication, where appropriate, of the relevant passages	Relevant to claim No.
X	US 4,744,552 A (GLASER) 17 May 1988, see entire document.	1-9, 20-24
X	US 5,628,418 A (DESCHAMPS ET AL.) 13 May 1997, see entire document.	10-19
A	US 4,844,397 A (SKAKOON ET AL.) 04 July 1989, see entire document.	
A, P	US 6,648,318 B1 (OETLINGER ET AL.) 18 November 2003, see entire document.	

Further documents are listed in the continuation of Box C. See patent family annex.

* Special categories of cited documents:	"T"	later document published after the international filing date or priority date and not in conflict with the application but cited to understand the principle or theory underlying the invention
"A" document defining the general state of the art which is not considered to be of particular relevance	"X"	document of particular relevance; the claimed invention cannot be considered novel or cannot be considered to involve an inventive step when the document is taken alone
"E" earlier application or patent published on or after the international filing date	"Y"	document of particular relevance; the claimed invention cannot be considered to involve an inventive step when the document is combined with one or more other such documents, such combination being obvious to a person skilled in the art
"L" document which may throw doubts on priority claim(s) or which is cited to establish the publication date of another citation or other special reason (as specified)	"&"	document member of the same patent family
"O" document referring to an oral disclosure, use, exhibition or other means		
"P" document published prior to the international filing date but later than the priority date claimed		

Date of the actual completion of the international search: 27 June 2005 (27.06.2005)
 Date of mailing of the international search report: 19 AUG 2005

Name and mailing address of the ISA/US: Mail Stop PCT, Attn: ISA/US, Commissioner for Patents, P.O. Box 1450, Alexandria, Virginia 22313-1450, Facsimile No. (703) 305-3230
 Authorized officer: Linda Sholl
 Telephone No. (571) 272-4391