



US0D1069703S

(12) **United States Design Patent**
Yin

(10) **Patent No.:** **US D1,069,703 S**

(45) **Date of Patent:** **** Apr. 8, 2025**

(54) **POWER SUPPLY CABINET**

(71) Applicant: **ETERNALPLANET ENERGY LTD.**,
Shenzhen (CN)

(72) Inventor: **Shaowen Yin**, Shenzhen (CN)

(73) Assignee: **ETERNALPLANET ENERGY LTD.**,
Shenzhen (CN)

(**) Term: **15 Years**

(21) Appl. No.: **29/845,960**

(22) Filed: **Jul. 12, 2022**

(30) **Foreign Application Priority Data**

Jan. 12, 2022 (CN) 202230018179.9

(51) **LOC (15) Cl.** **13-02**

(52) **U.S. Cl.**
USPC **D13/110**

(58) **Field of Classification Search**
USPC D13/110, 103, 107, 112, 118, 123, 133,
D13/139.4, 158, 160, 162, 177, 184, 199
(Continued)

(56) **References Cited**

U.S. PATENT DOCUMENTS

D580,853 S * 11/2008 Ahlgren D13/107
D777,663 S * 1/2017 Von Holzhausen D13/103
(Continued)

FOREIGN PATENT DOCUMENTS

CN 308041193 * 1/2023
CN 308369220 * 5/2023
(Continued)

OTHER PUBLICATIONS

Thurston; Charles W, 10 Home Energy System Standouts . . . , Oct.
25, 2022 [online],Solar Builder Mag,[retrieved May 16, 2024 by

IN] retrieved from the Internet: <https://solarbuildermag.com/news/10-home-energy-system-standouts-heading-into-2023/> (Year: 2022).*

(Continued)

Primary Examiner — Derrick E Holland

Assistant Examiner — Caleb M Baker

(74) *Attorney, Agent, or Firm* — Cheng-Ju Chiang

(57) **CLAIM**

The ornamental design for a power supply cabinet, as shown and described.

DESCRIPTION

FIG. 1 is a front, right and top perspective view of a first embodiment of a power supply cabinet showing my new design;

FIG. 2 is a front elevation view of the design of FIG. 1;

FIG. 3 is a rear elevation view of the design of FIG. 1;

FIG. 4 is a left side elevation view of the design of FIG. 1;

FIG. 5 is a right side elevation view of the design of FIG. 1;

FIG. 6 is a top plan view of the design of FIG. 1;

FIG. 7 is a bottom plan view of the design of FIG. 1.

FIG. 8 is a front, right and top perspective view of a second embodiment of the power supply cabinet showing my new design;

FIG. 9 is an enlarged fragmental view of part A shown in FIG. 8;

FIG. 10 is a front elevation view of the design of FIG. 8;

FIG. 11 is a rear side elevation view of the design of FIG. 8;

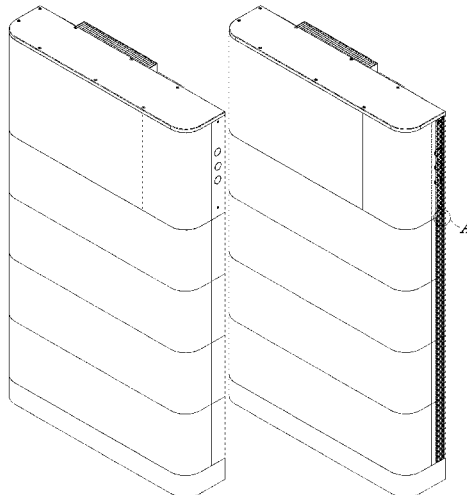
FIG. 12 is a left side elevation view of the design of FIG. 8;

FIG. 13 is a right side elevation view of the design of FIG. 8;

FIG. 14 is a top plan view of the design of FIG. 8; and,

FIG. 15 is a bottom plan view of the design of FIG. 8.

1 Claim, 15 Drawing Sheets



(58) **Field of Classification Search**

CPC H02J 9/06; H02J 9/00; H02J 9/062; H02J 9/04; H02J 1/108; H02J 13/00002; H02J 13/00004; H02J 13/00016; H02J 13/0005; H02J 2310/14; H02J 2310/16; H02J 2310/44; H02J 3/02; H02J 3/14; H02J 3/38; H02J 4/00; H02J 9/061; H02J 9/068; H02B 1/305; H02B 1/308; H02B 1/30; H02B 1/565; H02B 1/20; H02B 1/32; H02B 1/34; H02B 1/28; H02B 1/52; H02B 1/012; H02B 1/06; H02B 1/14; H02B 1/16; H02B 1/202; H02B 1/21; H02B 1/301; H02B 1/306; H02B 1/36; H02B 1/48; H02B 13/005; H02B 7/06; H02B 1/04; H02B 1/01; H01M 50/20; H01M 50/202; H01M 50/204; H01M 50/244; H01M 10/627; H01M 10/4207; H01M 50/209; H05K 7/20; G02B 6/12; G02B 6/26; G02B 6/36; G02B 6/42; G02B 6/43; G02B 6/44; Y02E 60/10; H01R 13/62

See application file for complete search history.

(56) **References Cited**

U.S. PATENT DOCUMENTS

D853,961 S * 7/2019 Kanarellis D13/110
 D860,957 S * 9/2019 Gao D13/184

D923,567 S * 6/2021 Lee D13/110
 D945,360 S * 3/2022 Cao D13/103
 D945,361 S * 3/2022 Cao D13/103
 D981,338 S * 3/2023 Plomteux D13/107
 D993,171 S * 7/2023 Zheng D13/108
 2018/0098456 A1 * 4/2018 Schreier H05K 7/18

FOREIGN PATENT DOCUMENTS

CN	308342288	*	7/2023
CN	308584647	*	8/2023
CN	308539211	*	9/2023
CN	308617242	*	9/2023

OTHER PUBLICATIONS

Paleja; Ameya, Anker Modular Solar Storage . . . , Jun. 16, 2023 [online], Interesting Engineering, [retrieved May 16, 2024 by IN] retrieved from the Internet: <https://interestingengineering.com/innovation/modular-solar-storage-solution-power-entire-house> (Year: 2023).*

Eternalplanet's First Home Energy Storage System . . . , Sep. 21, 2023 [online], PR News Wire, [retrieved May 16, 2024 by IN] retrieved from the Internet: <https://www.prnewswire.com/news-releases/eternalplanets-first-home-energy-storage-system-ep-cube-debuts-at-re-301629640.html> (Year: 2023).*

* cited by examiner

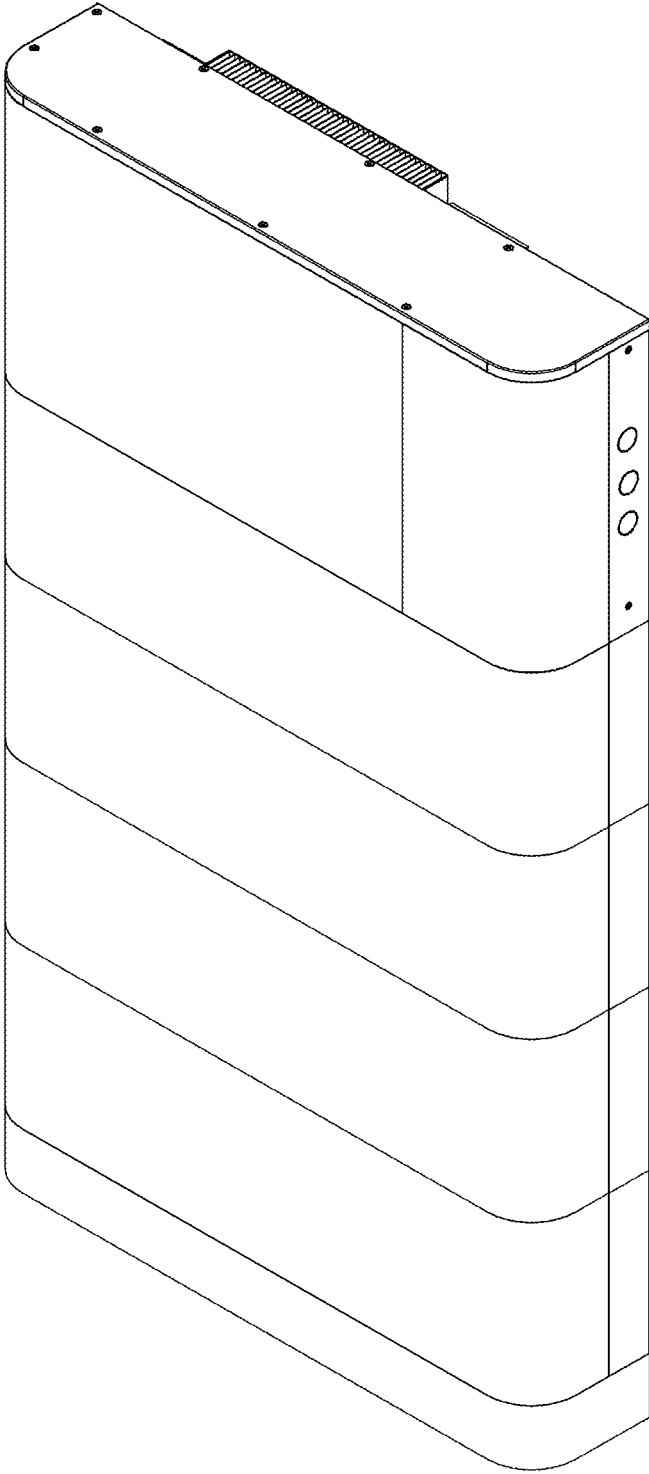


FIG. 1

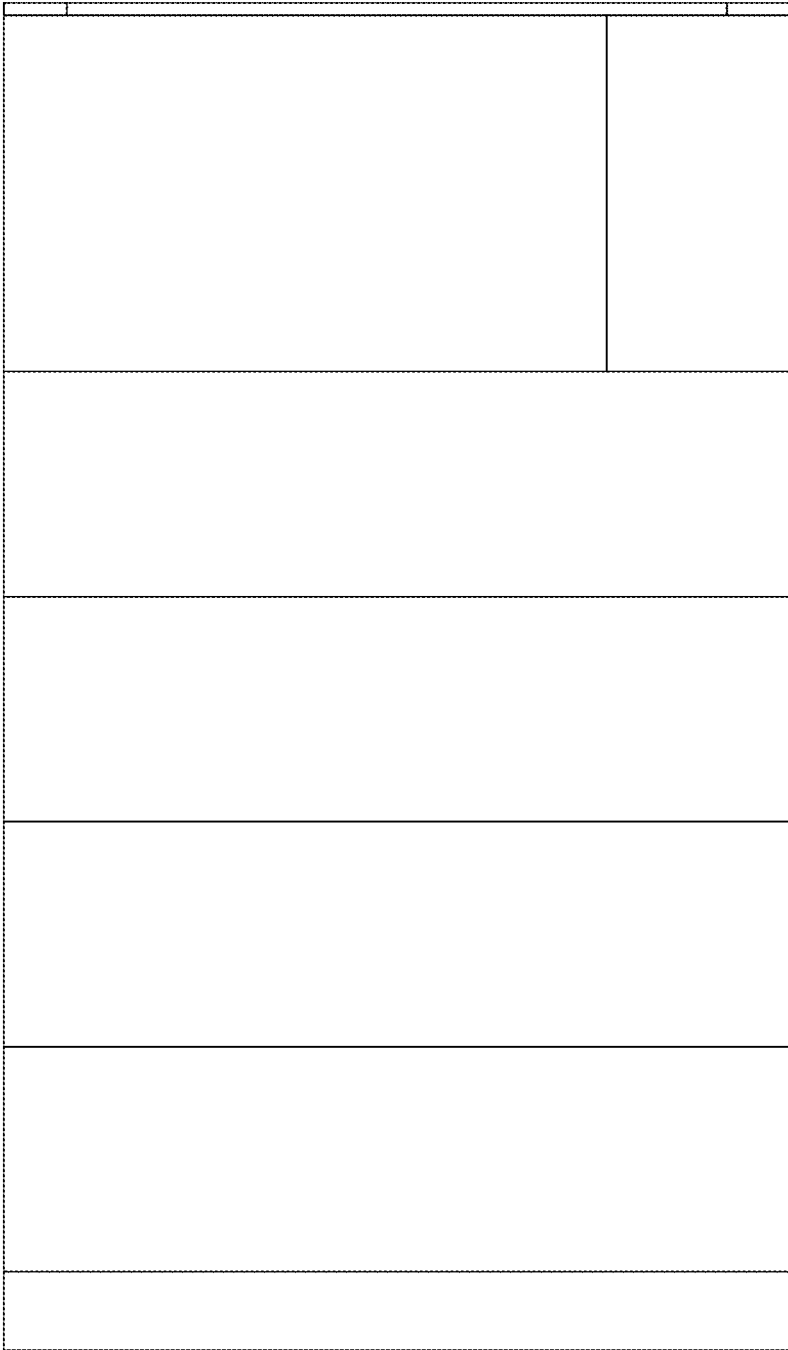


FIG. 2

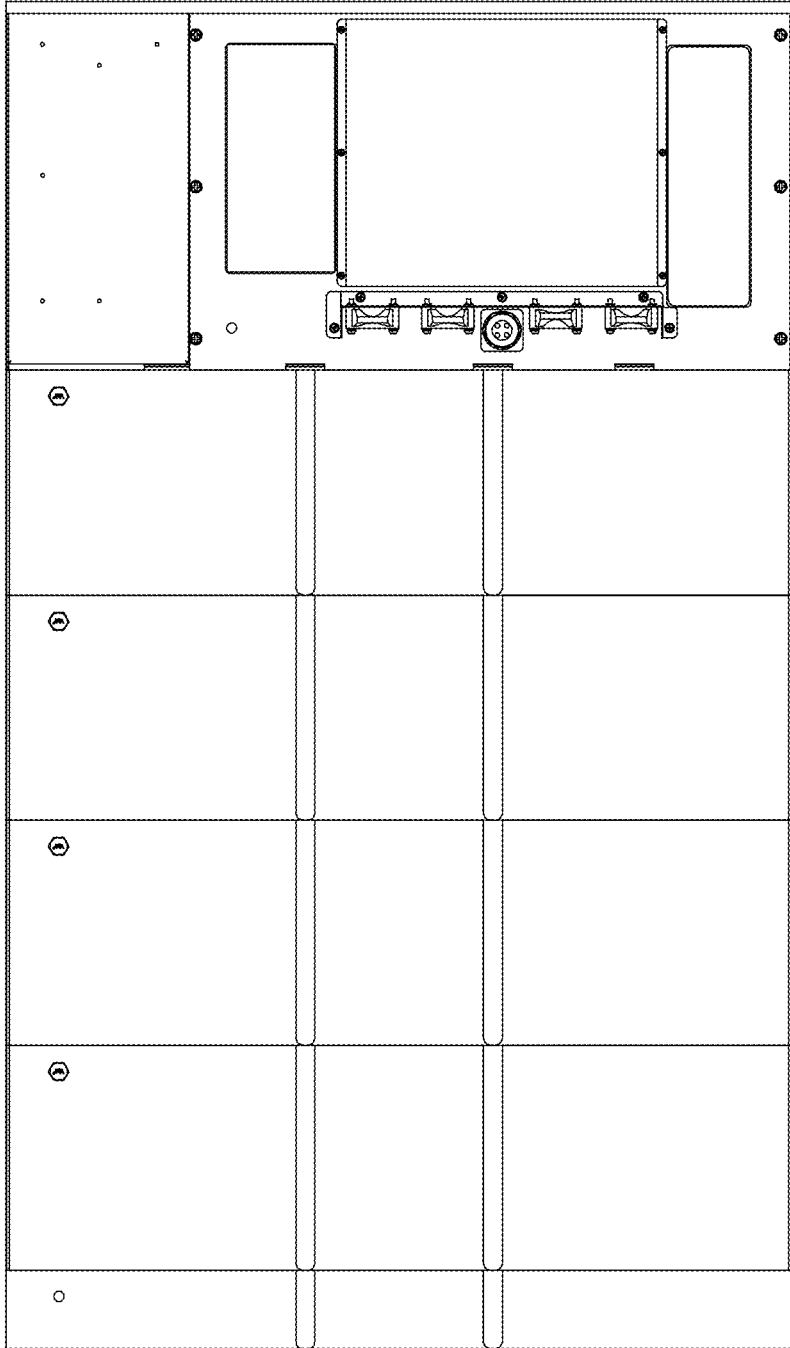


FIG. 3

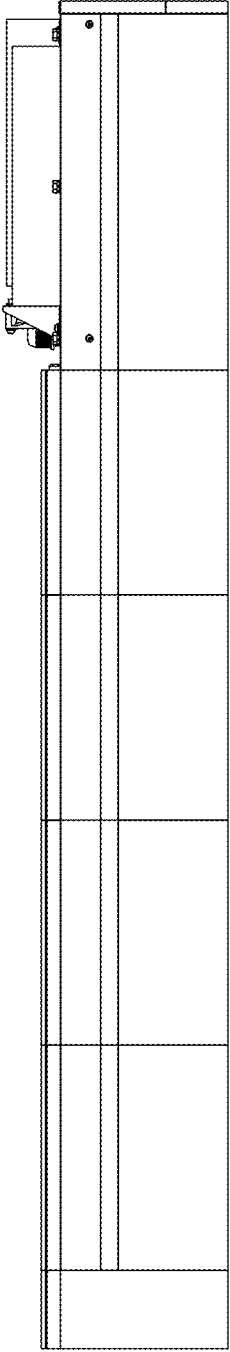


FIG. 4

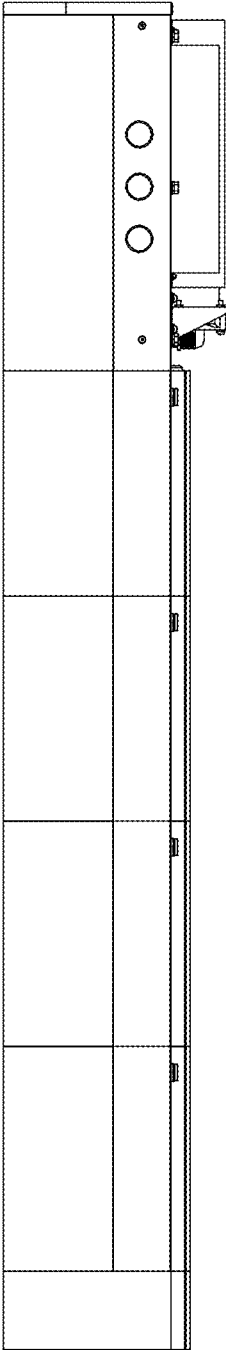


FIG. 5

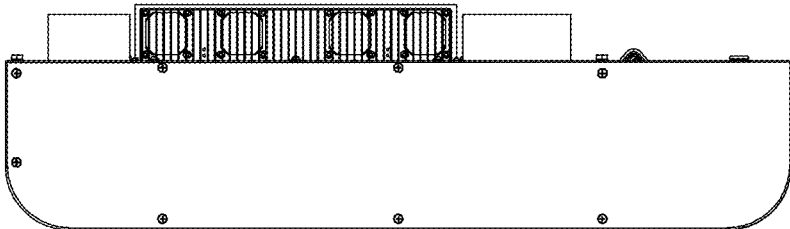


FIG. 6

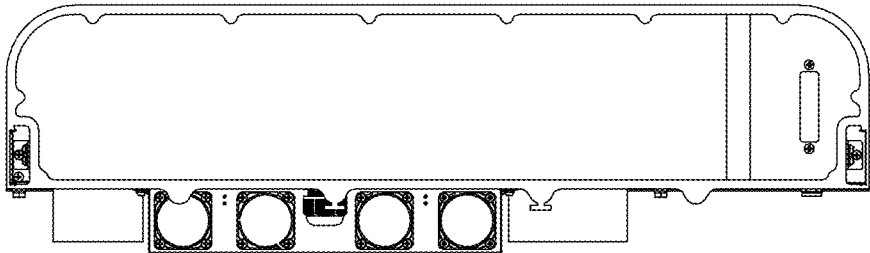


FIG. 7

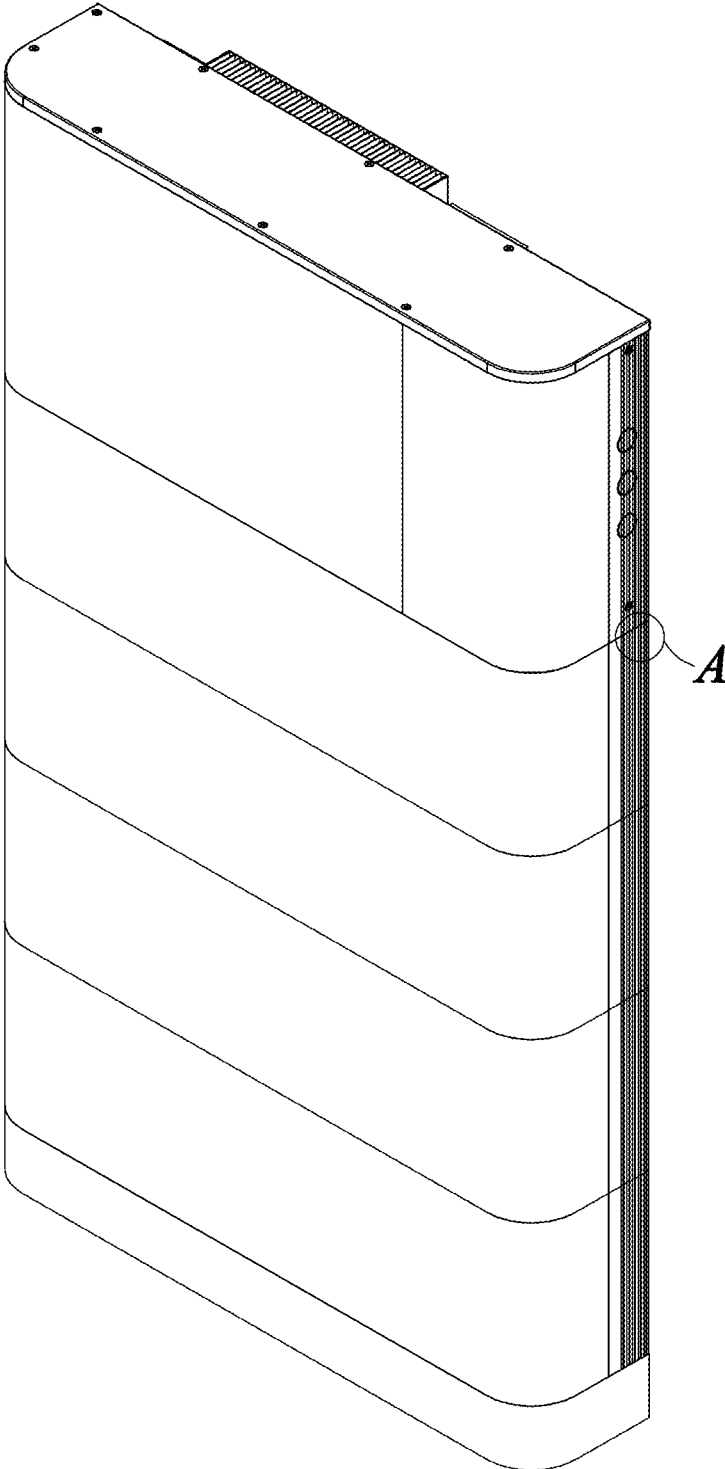


FIG. 8

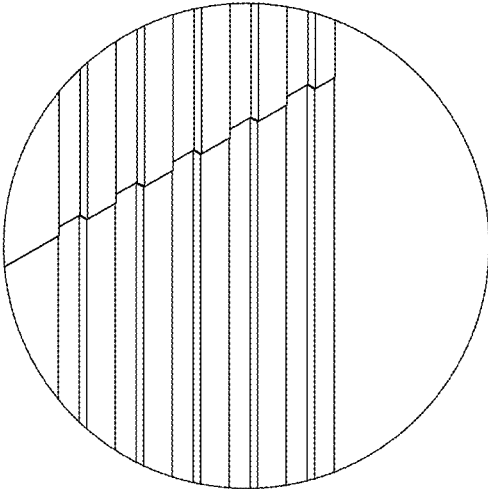


FIG. 9

FIG. 10

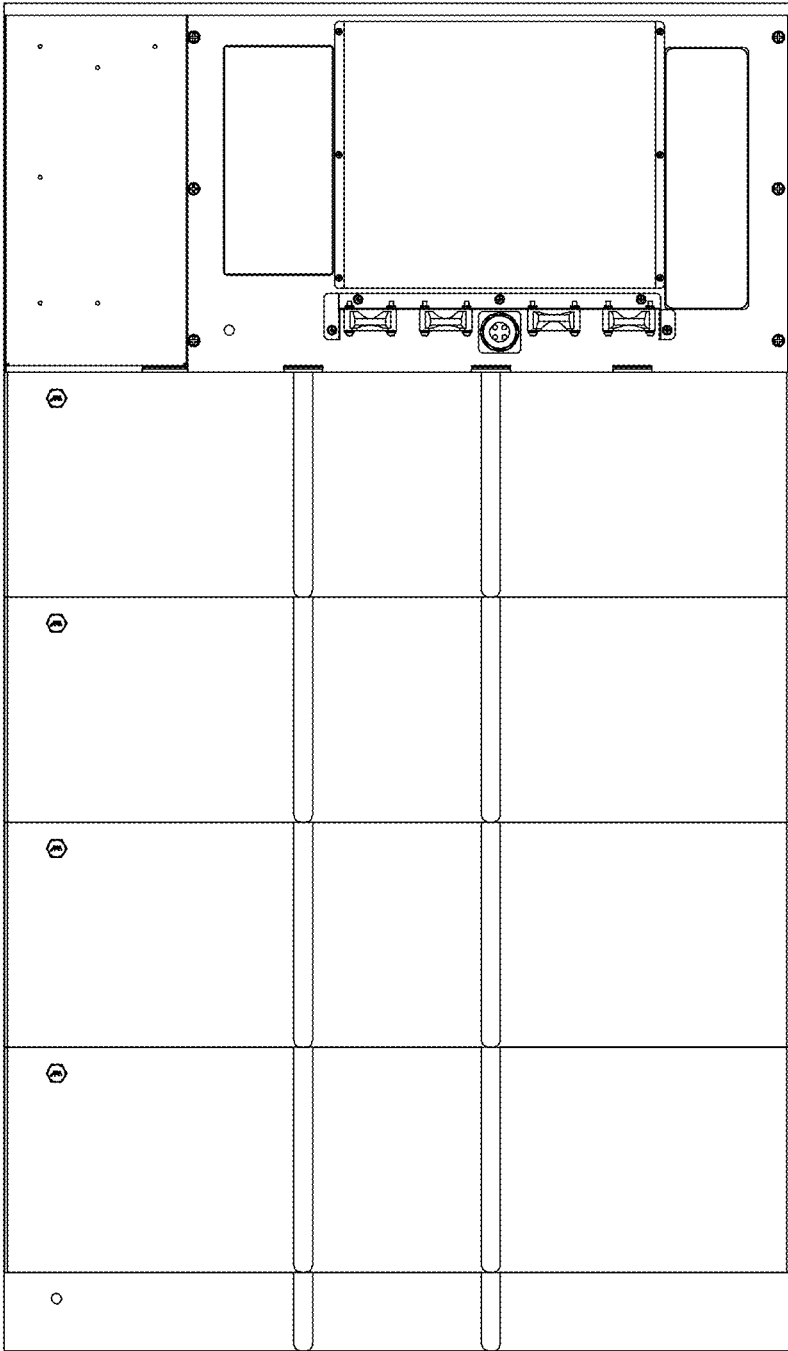


FIG. 11

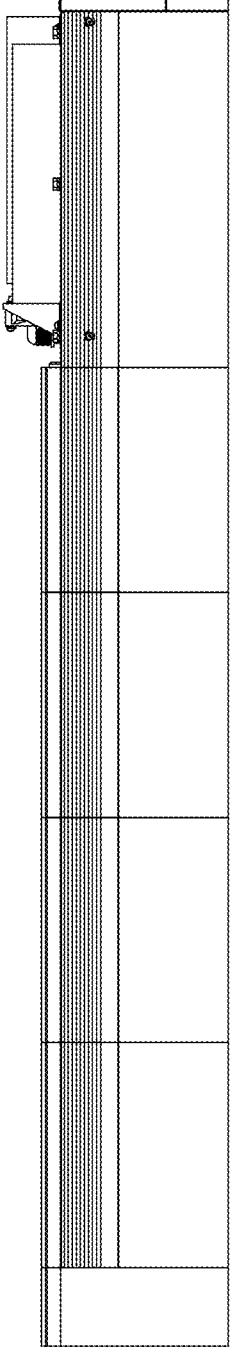


FIG. 12

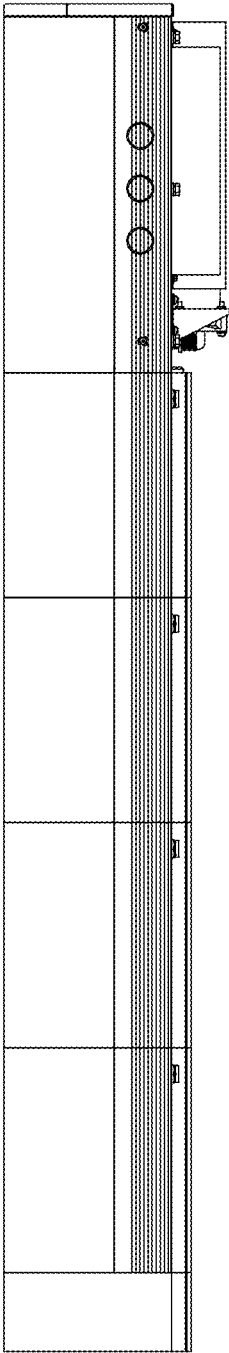


FIG. 13

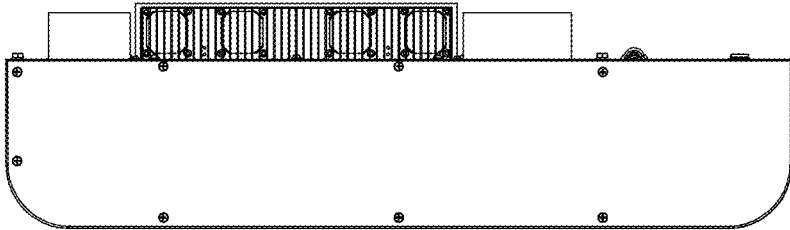


FIG. 14

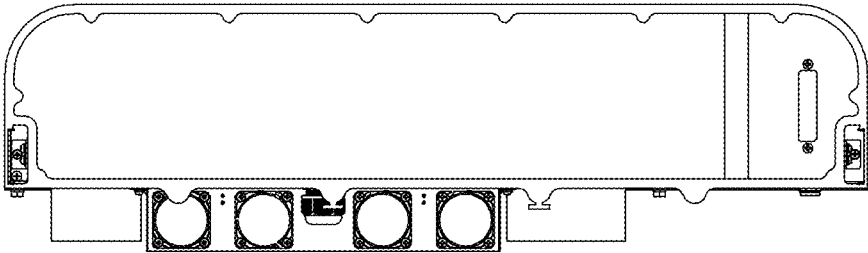


FIG. 15