



US00D928126S

(12) **United States Design Patent**  
**Chen**

(10) **Patent No.:** **US D928,126 S**

(45) **Date of Patent:** **\*\* Aug. 17, 2021**

- (54) **WIRELESS EARPHONE**
- (71) Applicant: **Xinying Chen, Shantou (CN)**
- (72) Inventor: **Xinying Chen, Shantou (CN)**
- (\*\*) Term: **15 Years**
- (21) Appl. No.: **29/752,589**

|                |         |                |                        |
|----------------|---------|----------------|------------------------|
| D662,492 S *   | 6/2012  | Akana .....    | D14/217                |
| D662,493 S *   | 6/2012  | Chen .....     | D14/223                |
| D664,523 S *   | 7/2012  | Naitou .....   | D14/223                |
| D666,581 S *   | 9/2012  | Perez .....    | D14/223                |
| D666,996 S *   | 9/2012  | Hardi .....    | D14/223                |
| 8,265,323 B2 * | 9/2012  | Stiehl .....   | H04R 1/1058<br>381/371 |
| D671,531 S *   | 11/2012 | Kim .....      | D14/223                |
| D673,531 S *   | 1/2013  | Lee .....      | D14/223                |
| D681,015 S *   | 4/2013  | Akana .....    | H04R 1/10<br>D14/223   |
| D695,721 S *   | 12/2013 | Thompson ..... | D14/223                |
| 8,712,087 B2 * | 4/2014  | Ozawa .....    | H04R 1/1016<br>381/380 |

- (22) Filed: **Sep. 28, 2020**
- (51) **LOC (13) Cl.** ..... **14-01**
- (52) **U.S. Cl.**  
USPC ..... **D14/223**
- (58) **Field of Classification Search**  
USPC ..... D14/223, 205; D24/174; 128/864, 865,  
128/866; 381/380, 381, 322, 328;  
455/90.3, 575.1, 569.1  
CPC ..... H04R 1/10; H04R 25/00; H04R 1/1066;  
H04R 1/1016; H04R 5/033; H04R  
5/0335; H04R 1/1058; H04R 1/1083;  
H04R 1/1091; H04R 25/02  
See application file for complete search history.

(Continued)

**FOREIGN PATENT DOCUMENTS**

|    |                |   |        |
|----|----------------|---|--------|
| EM | 008057400-0002 | * | 7/2020 |
| EM | 008060735-0001 | * | 7/2020 |

(Continued)

*Primary Examiner* — Paula Allen Greene  
(74) *Attorney, Agent, or Firm* — Justin Lampel

(56) **References Cited**

**U.S. PATENT DOCUMENTS**

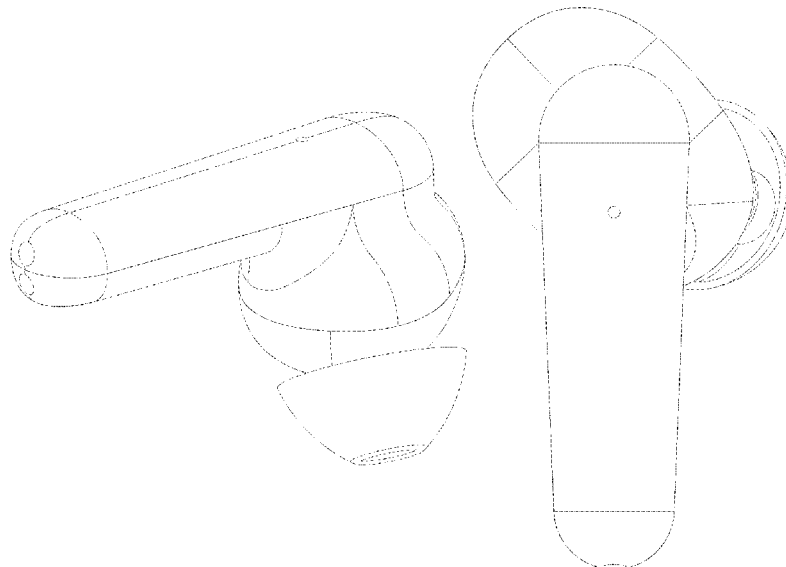
|               |         |                  |                        |
|---------------|---------|------------------|------------------------|
| 4,122,841 A * | 10/1978 | Rock .....       | A61B 5/12<br>128/864   |
| D499,397 S *  | 12/2004 | Hlas .....       | D14/223                |
| D557,689 S *  | 12/2007 | Huang .....      | D14/223                |
| D591,721 S *  | 5/2009  | Densho .....     | D14/205                |
| D619,122 S *  | 7/2010  | Nomura .....     | D14/223                |
| D627,765 S *  | 11/2010 | Zheng .....      | D14/223                |
| D628,193 S *  | 11/2010 | Zheng .....      | D14/223                |
| D633,086 S *  | 2/2011  | Chen .....       | D14/223                |
| D641,738 S *  | 7/2011  | Perez .....      | D14/223                |
| D651,196 S *  | 12/2011 | Quek .....       | D14/223                |
| D652,823 S *  | 1/2012  | Chen .....       | H04R 1/1016<br>D14/223 |
| D657,780 S *  | 4/2012  | Dahlberg .....   | D14/223                |
| D660,290 S *  | 5/2012  | Weedon .....     | D14/223                |
| D660,292 S *  | 5/2012  | Rautiainen ..... | D14/223                |

- (57) **CLAIM**  
The ornamental design for a wireless earphone, as shown and described.

**DESCRIPTION**

FIG. 1 is a perspective view of a wireless earphone showing the claimed design;  
FIG. 2 is a top plan view thereof;  
FIG. 3 is a rear elevational view thereof;  
FIG. 4 is a bottom plan view thereof;  
FIG. 5 is a right side view thereof;  
FIG. 6 is a front elevational view thereof; and,  
FIG. 7 is a left side view thereof.  
The broken lines illustrate portions of the wireless earphone that form no part of the claimed design.

**1 Claim, 7 Drawing Sheets**



(56)

## References Cited

## U.S. PATENT DOCUMENTS

|              |      |         |              |             |  |  |  |
|--------------|------|---------|--------------|-------------|--|--|--|
| D707,206     | S *  | 6/2014  | Akana        | H04R 1/10   |  |  |  |
|              |      |         |              | D14/223     |  |  |  |
| D711,857     | S *  | 8/2014  | Burgett      |             |  |  |  |
| D718,284     | S *  | 11/2014 | Shibusawa    | D14/223     |  |  |  |
| D730,876     | S *  | 6/2015  | Dahlberg     | D14/223     |  |  |  |
| D732,008     | S *  | 6/2015  | Akana        | H04R 1/10   |  |  |  |
|              |      |         |              | D14/223     |  |  |  |
| D733,101     | S *  | 6/2015  | Pi           | D14/223     |  |  |  |
| D733,689     | S *  | 7/2015  | Narita       | D14/223     |  |  |  |
| D738,864     | S *  | 9/2015  | Lee          | D14/223     |  |  |  |
| D741,287     | S *  | 10/2015 | Harata       | D14/205     |  |  |  |
| 9,197,956    | B2 * | 11/2015 | Iseberg      | H04R 1/1016 |  |  |  |
| D757,682     | S *  | 5/2016  | Perez        | D14/205     |  |  |  |
| D760,202     | S *  | 6/2016  | Hsieh        | D14/223     |  |  |  |
| D761,760     | S *  | 7/2016  | Poulsen      | D14/205     |  |  |  |
| D770,412     | S *  | 11/2016 | Son          | D14/205     |  |  |  |
| D784,962     | S *  | 4/2017  | Yang         | D14/223     |  |  |  |
| D801,312     | S *  | 10/2017 | Birger       | H04R 1/1025 |  |  |  |
|              |      |         |              | D14/223     |  |  |  |
| D801,314     | S *  | 10/2017 | Akana        | D14/223     |  |  |  |
| D803,184     | S *  | 11/2017 | Loh Jun Kern | D14/205     |  |  |  |
| D820,809     | S *  | 6/2018  | Akana        | D14/205     |  |  |  |
| D821,362     | S *  | 6/2018  | Vaclavik     | D14/223     |  |  |  |
| D822,009     | S *  | 7/2018  | Matoba       | D14/223     |  |  |  |
| D830,336     | S *  | 10/2018 | Cai          | D14/205     |  |  |  |
| D832,824     | S *  | 11/2018 | Kim          | D14/223     |  |  |  |
| D847,125     | S *  | 4/2019  | Akana        | D14/223     |  |  |  |
| D847,794     | S *  | 5/2019  | Guo          | D14/223     |  |  |  |
| D848,979     | S *  | 5/2019  | Kim          | D14/223     |  |  |  |
| D848,982     | S *  | 5/2019  | Kim          | D14/223     |  |  |  |
| D848,983     | S *  | 5/2019  | Kim          | D14/223     |  |  |  |
| D861,647     | S *  | 10/2019 | Chen         | D14/223     |  |  |  |
| D864,165     | S *  | 10/2019 | Roberts      | D14/223     |  |  |  |
| D864,169     | S *  | 10/2019 | Min          | D14/223     |  |  |  |
| D869,445     | S *  | 12/2019 | Hu           | D14/223     |  |  |  |
| D878,337     | S *  | 3/2020  | Yang         | D14/223     |  |  |  |
| D888,690     | S *  | 6/2020  | Yan          | D14/223     |  |  |  |
| D888,691     | S *  | 6/2020  | Liu          | D14/223     |  |  |  |
| D889,436     | S *  | 7/2020  | Zhang        | D14/223     |  |  |  |
| D889,440     | S *  | 7/2020  | Yan          |             |  |  |  |
| D890,138     | S *  | 7/2020  | Peng         | D14/223     |  |  |  |
| D893,462     | S *  | 8/2020  | Liu          | D14/223     |  |  |  |
| D894,875     | S *  | 9/2020  | Zhao         | D14/223     |  |  |  |
| D895,579     | S *  | 9/2020  | Yang         | D14/223     |  |  |  |
| D895,582     | S *  | 9/2020  | Wu           | D14/223     |  |  |  |
| D896,206     | S *  | 9/2020  | Xu           | D14/223     |  |  |  |
| D897,998     | S *  | 10/2020 | Ma           | D14/223     |  |  |  |
| D903,639     | S *  | 12/2020 | Yang         | D14/223     |  |  |  |
| D904,351     | S *  | 12/2020 | Zhang        | D14/223     |  |  |  |
| D905,018     | S *  | 12/2020 | Zhu          | D14/223     |  |  |  |
| D907,008     | S *  | 1/2021  | Yao          | D14/223     |  |  |  |
| D907,607     | S *  | 1/2021  | Deng         | D14/223     |  |  |  |
| D910,600     | S *  | 2/2021  | Zhang        | D14/223     |  |  |  |
| D910,601     | S *  | 2/2021  | Hu           | D14/223     |  |  |  |
| D912,011     | S *  | 3/2021  | Zhao         | D14/205     |  |  |  |
| D915,355     | S *  | 4/2021  | Xiang        | D14/223     |  |  |  |
| D916,683     | S *  | 4/2021  | Yao          | D14/223     |  |  |  |
| D918,178     | S *  | 5/2021  | Chen         | D14/223     |  |  |  |
| D918,179     | S *  | 5/2021  | Zhao         | D14/223     |  |  |  |
| D918,182     | S *  | 5/2021  | Chen         | D14/223     |  |  |  |
| D920,291     | S *  | 5/2021  | Hou          | D14/223     |  |  |  |
| D920,293     | S *  | 5/2021  | Chen         | D14/223     |  |  |  |
| D921,615     | S *  | 6/2021  | Wu           | D14/223     |  |  |  |
| 2007/0189570 | A1 * | 8/2007  | Matsuo       | H04R 1/02   |  |  |  |
|              |      |         |              | 381/382     |  |  |  |
| 2013/0004011 | A1 * | 1/2013  | Hayashida    | H04R 1/345  |  |  |  |
|              |      |         |              | 381/380     |  |  |  |
| 2016/0205458 | A1 * | 7/2016  | Huang        | H04R 1/1016 |  |  |  |
|              |      |         |              | 381/380     |  |  |  |
| 2020/0252715 | A1 * | 8/2020  | Zhou         | H04R 1/1041 |  |  |  |
| 2020/0382856 | A1 * | 12/2020 | Liu          | H04R 1/2826 |  |  |  |

## FOREIGN PATENT DOCUMENTS

EM 008364616-0001 \* 12/2020  
EM 008440440-0002 \* 2/2021

\* cited by examiner

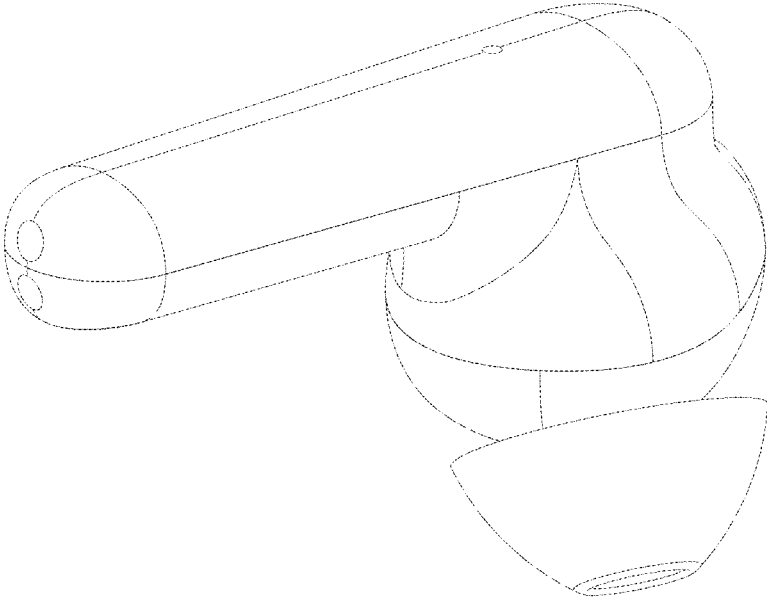


FIG.1

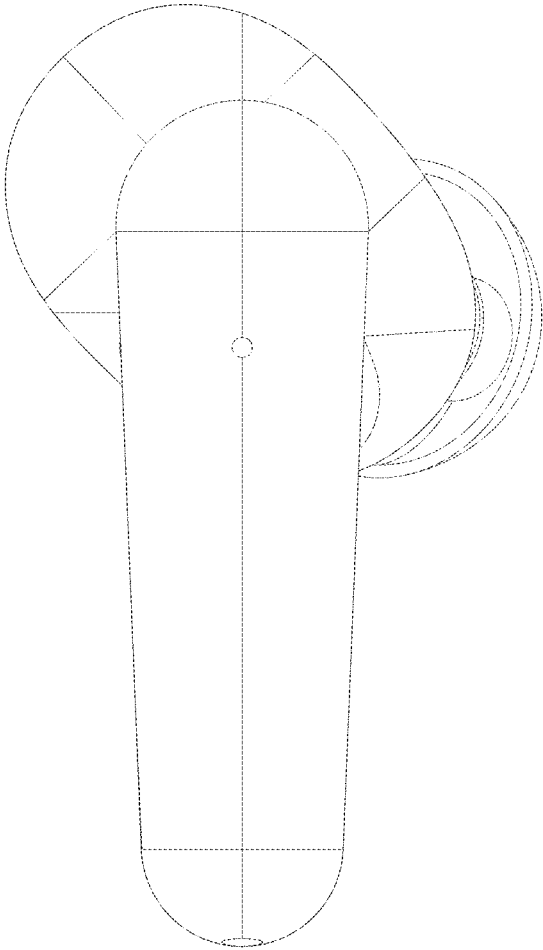


FIG. 2

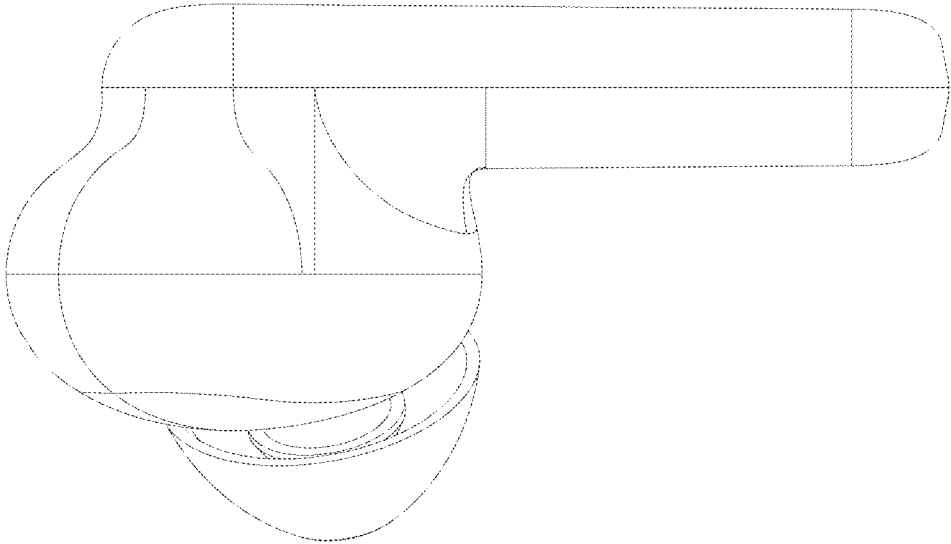


FIG. 3

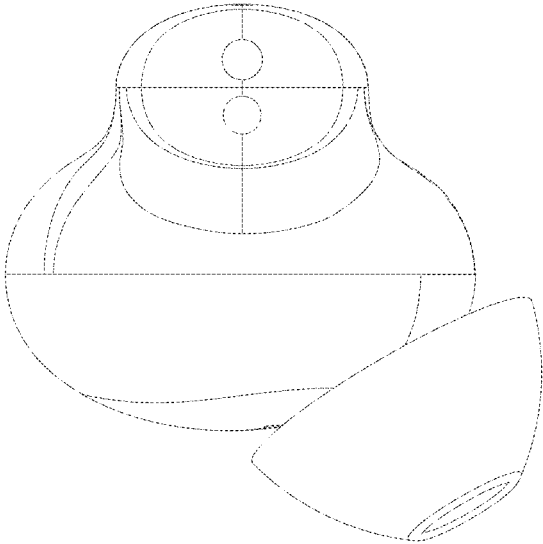


FIG. 4

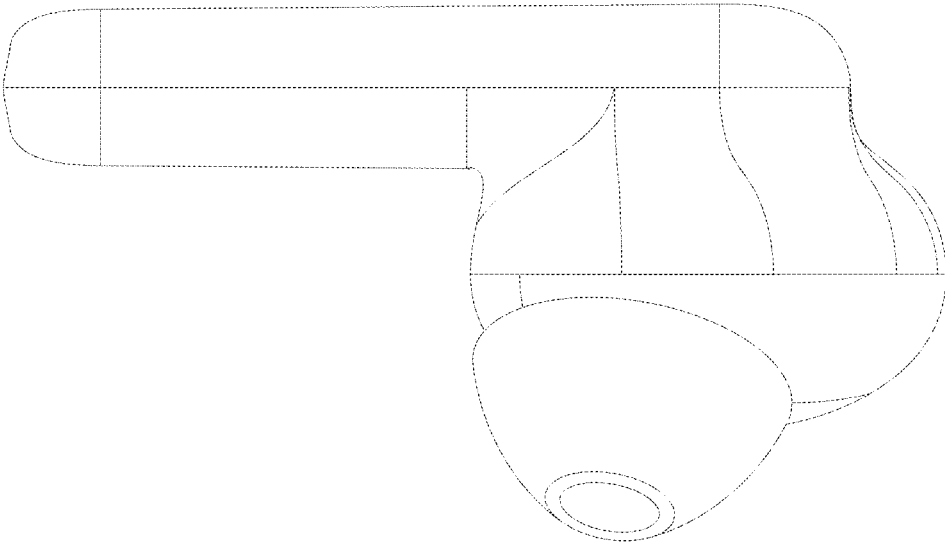


FIG. 5

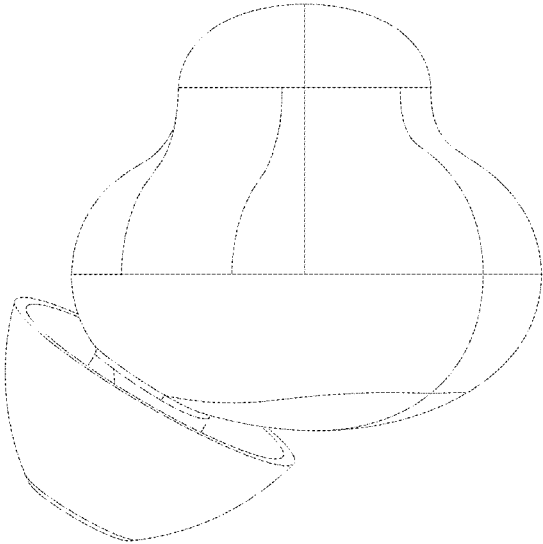


FIG.6



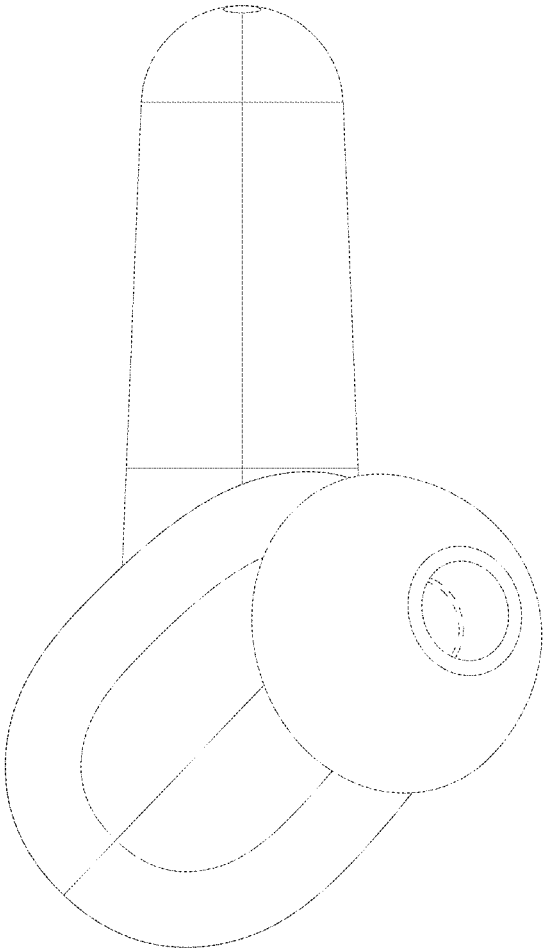


FIG. 7