

(19) World Intellectual Property Organization  
International Bureau



(43) International Publication Date  
6 April 2006 (06.04.2006)

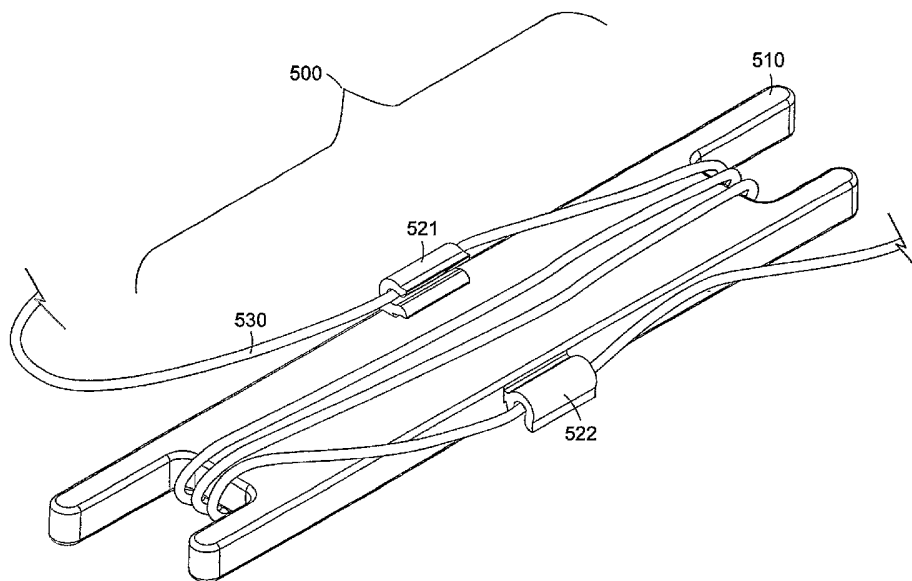
PCT

(10) International Publication Number  
**WO 2006/037109 A3**

- (51) International Patent Classification:  
A61M 39/08 (2006.01)
- (21) International Application Number:  
PCT/US2005/035077
- (22) International Filing Date:  
27 September 2005 (27.09.2005)
- (25) Filing Language: English
- (26) Publication Language: English
- (30) Priority Data:  
60/613,556 27 September 2004 (27.09.2004) US
- (71) Applicant (for all designated States except US): **DEKA PRODUCTS LIMITED PARTNERSHIP** [US/US]; 340 Commercial Street, Manchester, NH 03101-1108 (US).
- (72) Inventors; and
- (75) Inventors/Applicants (for US only): **GRANT, Kevin, L.** [US/US]; 2 Burgess Drivet, Litchfield, NH 03052 (US). **GRAY, Larry, B.** [US/US]; 19 Iris Drive, Merrimack, NH 03054 (US). **HARRIS, Matthew, C.** [US/US]; 32 Logging Hill Road, Bow, NH 03304 (US). **KLEIN, Jeffrey, L.** [US/US]; 103 N. Adams Street, Manchester, NH 03104 (US). **STEINFELS, Craig, R.** [US/US]; 1625 Paule Avenue, Manchester, NH 03104 (US). **TRACEY, Brian, D.** [US/US]; 151 Talent Road, Litchfield, NH 03052 (US).
- (74) Agents: **SUNSTEIN, Bruce, D.** et al.; Bromberg & Sunstein LLP, 125 Summer Street, Boston, MA 02110-1618 (US).
- (81) Designated States (unless otherwise indicated, for every kind of national protection available): AE, AG, AL, AM, AT, AU, AZ, BA, BB, BG, BR, BW, BY, BZ, CA, CH, CN, CO, CR, CU, CZ, DE, DK, DM, DZ, EC, EE, EG, ES, FI, GB, GD, GE, GH, GM, HR, HU, ID, IL, IN, IS, JP, KE, KG, KM, KP, KR, KZ, LC, LK, LR, LS, LT, LU, LV, LY, MA, MD, MG, MK, MN, MW, MX, MZ, NA, NG, NI, NO, NZ, OM, PG, PH, PL, PT, RO, RU, SC, SD, SE, SG, SK, SL, SM, SY, TJ, TM, TN, TR, TT, TZ, UA, UG, US, UZ, VC, VN, YU, ZA, ZM, ZW.
- (84) Designated States (unless otherwise indicated, for every kind of regional protection available): ARIPO (BW, GH, GM, KE, LS, MW, MZ, NA, SD, SL, SZ, TZ, UG, ZM, ZW), Eurasian (AM, AZ, BY, KG, KZ, MD, RU, TJ, TM), European (AT, BE, BG, CH, CY, CZ, DE, DK, EE, ES, FI, FR, GB, GR, HU, IE, IS, IT, LT, LU, LV, MC, NL, PL, PT, RO, SE, SI, SK, TR), OAPI (BF, BJ, CF, CG, CI, CM, GA, GN, GQ, GW, ML, MR, NE, SN, TD, TG).
- Published:  
— with international search report

[Continued on next page]

(54) Title: INFUSION SET IMPROVEMENTS



(57) Abstract: A method and device for adjusting the unstored length of tubing directed to improving the use of infusion sets that deliver fluids to a user. The device (500) includes a storage module (510) and other features for adjusting, storing and securing the length of the tubing (530). The method of adjusting the length of the tubing (530) to a desired length typically comprises removably attaching the tubing to the adjuster (500), adjusting the tubing by wrapping the tubing around a hub or post of the adjuster, and fixing the length of the unstored tubing by attaching the tubing to a securing device such as a friction structure (521, 522) or fastener.

WO 2006/037109 A3



— before the expiration of the time limit for amending the claims and to be republished in the event of receipt of amendments

For two-letter codes and other abbreviations, refer to the "Guidance Notes on Codes and Abbreviations" appearing at the beginning of each regular issue of the PCT Gazette.

**(88) Date of publication of the international search report:**

20 July 2006

## INTERNATIONAL SEARCH REPORT

International application No

PCT/US2005/035077

A. CLASSIFICATION OF SUBJECT MATTER  
INV. A61M39/08

According to International Patent Classification (IPC) or to both national classification and IPC

## B. FIELDS SEARCHED

Minimum documentation searched (classification system followed by classification symbols)

A61M

Documentation searched other than minimum documentation to the extent that such documents are included in the fields searched

Electronic data base consulted during the international search (name of data base and, where practical, search terms used)

EPO-Internal, PAJ, WPI Data

## C. DOCUMENTS CONSIDERED TO BE RELEVANT

Category*	Citation of document, with indication, where appropriate, of the relevant passages	Relevant to claim No.
X	WO 2004/020035 A (UNOMEDICAL A/S; MOGENSEN, LASSE, WESSELTOFT; GOERANSSON, MAGNUS, WALTE) 11 March 2004 (2004-03-11) column 5, line 16 - line 29 figures 4a,4b,4c	1-3,6
X	----- US 2003/122021 A1 (MCCONNELL SUSAN ET AL) 3 July 2003 (2003-07-03) paragraphs [0004], [0011], [0026], [0032], [0033], [0036] figures 1A,1B	1-3,6,7
Y	----- -/--	4,5

 Further documents are listed in the continuation of Box C. See patent family annex.

\* Special categories of cited documents :

"A" document defining the general state of the art which is not considered to be of particular relevance

"E" earlier document but published on or after the international filing date

"L" document which may throw doubts on priority claim(s) or which is cited to establish the publication date of another citation or other special reason (as specified)

"O" document referring to an oral disclosure, use, exhibition or other means

"P" document published prior to the international filing date but later than the priority date claimed

"T" later document published after the international filing date or priority date and not in conflict with the application but cited to understand the principle or theory underlying the invention

"X" document of particular relevance; the claimed invention cannot be considered novel or cannot be considered to involve an inventive step when the document is taken alone

"Y" document of particular relevance; the claimed invention cannot be considered to involve an inventive step when the document is combined with one or more other such documents, such combination being obvious to a person skilled in the art.

"&amp;" document member of the same patent family

Date of the actual completion of the international search

7 February 2006

Date of mailing of the international search report

19.05.2006

Name and mailing address of the ISA/

European Patent Office, P.B. 5818 Patentlaan 2  
NL - 2280 HV Rijswijk  
Tel. (+31-70) 340-2040, Tx. 31 651 epo nl,  
Fax: (+31-70) 340-3016

Authorized officer

Schultz, O

## INTERNATIONAL SEARCH REPORT

International application No

PCT/US2005/035077

C(Continuation). DOCUMENTS CONSIDERED TO BE RELEVANT		
Category*	Citation of document, with indication, where appropriate, of the relevant passages	Relevant to claim No.
Y	PATENT ABSTRACTS OF JAPAN vol. 2000, no. 09, 13 October 2000 (2000-10-13) -& JP 2000 177934 A (KUSAMA YUJI), 27 June 2000 (2000-06-27) figures 1-6	4,5
A		1,2,6,7
X	----- WO 2004/020023 A (UNOMEDICAL A/S; MOGENSEN, LASSE, WESSELTOFT; GOERANSSON, MAGNUS, WALTE) 11 March 2004 (2004-03-11) page 2, line 1 - line 6 page 6, line 30 - page 8, line 6 -----	1-3,7
X	WO 2004/020036 A (UNOMEDICAL A/S; MOGENSEN, LASSE, WESSELTOFT; GOERANSSON, MAGNUS, WALTE) 11 March 2004 (2004-03-11) page 2, lines 1-6 figures 1-5 -----	1-4,6

# INTERNATIONAL SEARCH REPORT

International application No.  
PCT/US2005/035077

## Box II Observations where certain claims were found unsearchable (Continuation of item 2 of first sheet)

This International Search Report has not been established in respect of certain claims under Article 17(2)(a) for the following reasons:

1.  Claims Nos.:  
because they relate to subject matter not required to be searched by this Authority, namely:
  
2.  Claims Nos.:  
because they relate to parts of the international Application that do not comply with the prescribed requirements to such an extent that no meaningful International Search can be carried out, specifically:
  
3.  Claims Nos.:  
because they are dependent claims and are not drafted in accordance with the second and third sentences of Rule 6.4(a).

## Box III Observations where unity of invention is lacking (Continuation of item 3 of first sheet)

This International Searching Authority found multiple inventions in this international application, as follows:

see additional sheet

1.  As all required additional search fees were timely paid by the applicant, this International Search Report covers all searchable claims.
  
2.  As all searchable claims could be searched without effort justifying an additional fee, this Authority did not invite payment of any additional fee.
  
3.  As only some of the required additional search fees were timely paid by the applicant, this International Search Report covers only those claims for which fees were paid, specifically claims Nos.:
  
4.  No required additional search fees were timely paid by the applicant. Consequently, this International Search Report is restricted to the invention first mentioned in the claims; it is covered by claims Nos.:

see annex

Remark on Protest

- The additional search fees were accompanied by the applicant's protest.
- No protest accompanied the payment of additional search fees.

FURTHER INFORMATION CONTINUED FROM PCT/ISA/ 210

This International Searching Authority found multiple (groups of) inventions in this international application, as follows:

1. claims: 1-7

Wrapping a tube around a storage module.  
---

2. claims: 8-15

Storage module with a variable internal path.  
---

3. claims: 16,17

Storage module rotates by means of a helical notch due to a linear movement of a separate handle.  
---

## INTERNATIONAL SEARCH REPORT

Information on patent family members

International application No

PCT/US2005/035077

Patent document cited in search report		Publication date	Patent family member(s)	Publication date
WO 2004020035	A	11-03-2004	AU 2003258486 A1	19-03-2004
			EP 1534378 A1	01-06-2005
			US 2006058733 A1	16-03-2006
-----				
US 2003122021	A1	03-07-2003	AU 2002367273 A1	24-07-2003
			CA 2472146 A1	17-07-2003
			EP 1467783 A2	20-10-2004
			JP 2005514095 T	19-05-2005
			WO 03057028 A2	17-07-2003
-----				
JP 2000177934	A	27-06-2000	NONE	
-----				
WO 2004020023	A	11-03-2004	AU 2003257754 A1	19-03-2004
			EP 1556124 A2	27-07-2005
			US 2005234423 A1	20-10-2005
-----				
WO 2004020036	A	11-03-2004	AU 2003257410 A1	19-03-2004
			EP 1549384 A2	06-07-2005
-----				