



US00D856491S

(12) **United States Design Patent**  
**Bahler**

(10) **Patent No.:** **US D856,491 S**

(45) **Date of Patent:** **\*\* Aug. 13, 2019**

(54) **FAUCET**

(71) Applicant: **DELTA FAUCET COMPANY,**  
Indianapolis, IN (US)

(72) Inventor: **Jordan Bahler,** Frankfort, IN (US)

(73) Assignee: **DELTA FAUCET COMPANY,**  
Indianapolis, IN (US)

(\*\*) Term: **15 Years**

(21) Appl. No.: **29/646,076**

(22) Filed: **May 1, 2018**

(51) **LOC (12) Cl.** ..... **23-01**

(52) **U.S. Cl.**  
USPC ..... **D23/255**

(58) **Field of Classification Search**  
USPC ..... D23/238–243, 249–252, 254–255, 257;  
D8/307–308

CPC ..... Y10T 137/9464  
See application file for complete search history.

(56) **References Cited**

**U.S. PATENT DOCUMENTS**

D117,171 S *	10/1939	Fraser	.....	D23/257
D486,563 S *	2/2004	Hsieh	.....	D23/238
D517,653 S *	3/2006	Ito	.....	D23/238
D602,122 S *	10/2009	Corbett	.....	D23/238
D636,853 S *	4/2011	Yu	.....	D23/238
D656,585 S *	3/2012	McKeone	.....	D23/238

D693,907 S *	11/2013	Mendoza	.....	D23/238
D713,942 S *	9/2014	Potter	.....	D23/255
D820,957 S *	6/2018	Schaubach	.....	D23/238
D823,987 S *	7/2018	Downey	.....	D23/238
D825,032 S *	8/2018	He	.....	D23/238
D829,867 S *	10/2018	McKeone	.....	D23/255
10,184,232 B2 *	1/2019	Veros	.....	E03C 1/055
D842,437 S *	3/2019	McKeone	.....	D23/257

\* cited by examiner

*Primary Examiner* — Eric L Goodman

*Assistant Examiner* — Amy C Wierenga

(74) *Attorney, Agent, or Firm* — Edgar A. Zarins; Nirav D. Parikh

(57) **CLAIM**

The ornamental design for a faucet, as shown and described.

**DESCRIPTION**

FIG. 1 is a perspective view of a faucet showing my new design;

FIG. 2 is a top plan view thereof;

FIG. 3 is a bottom view thereof;

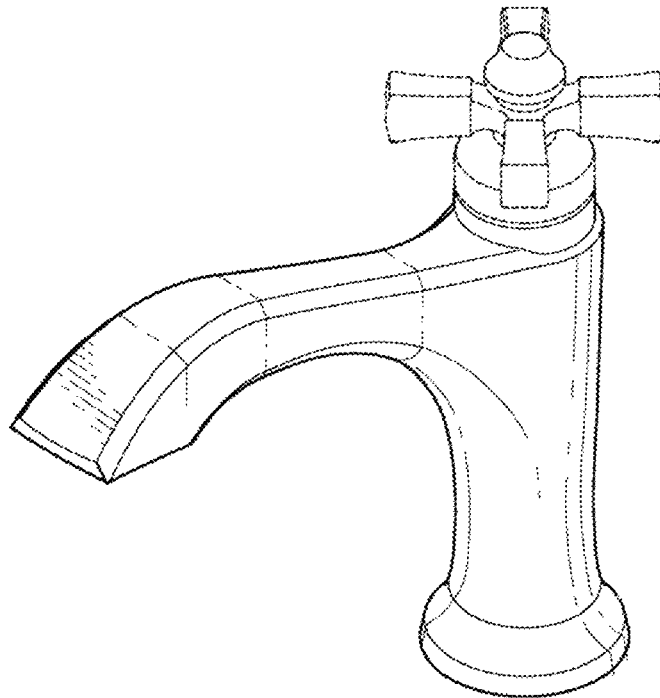
FIG. 4 is a right side view thereof, the opposite side being a mirror image of the side shown;

FIG. 5 is a front elevational view thereof; and,

FIG. 6 is a rear view thereof.

The broken-line disclosure in the view represents a portion of the faucet in which the claimed design is embodied, but which forms no part of the claimed design.

**1 Claim, 3 Drawing Sheets**



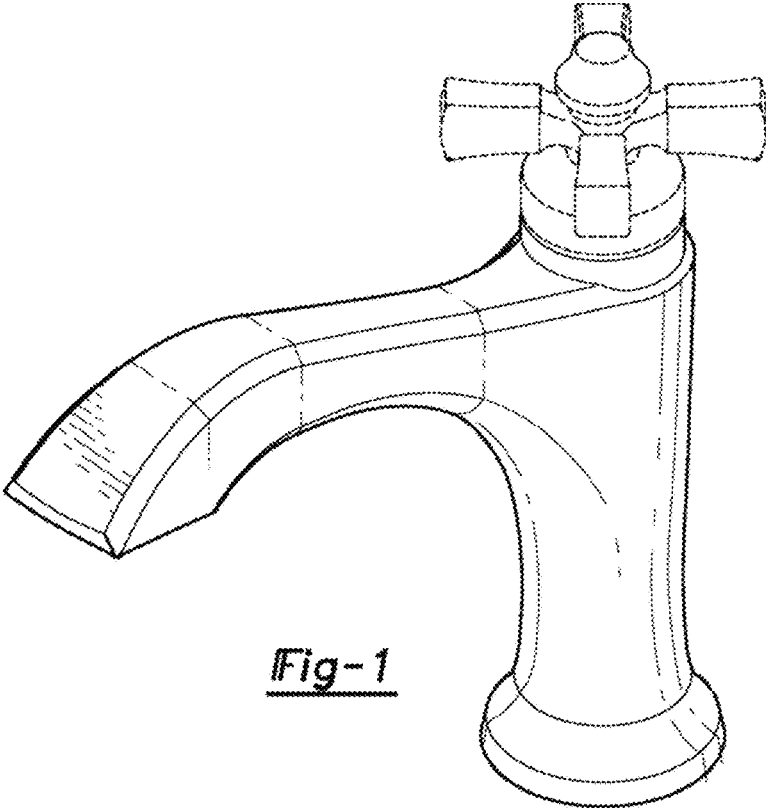


Fig-1

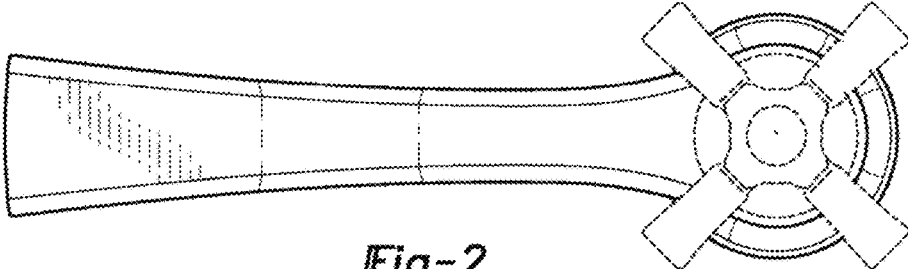


Fig-2

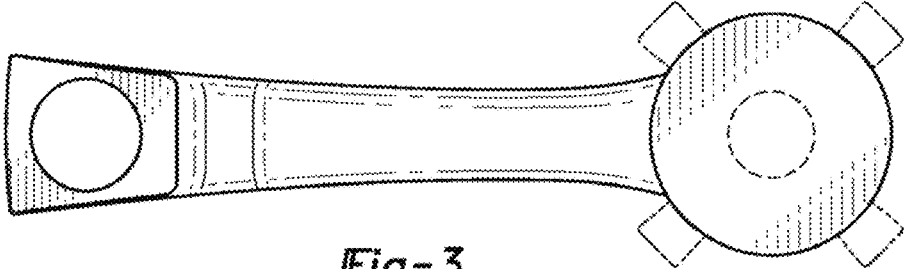


Fig-3

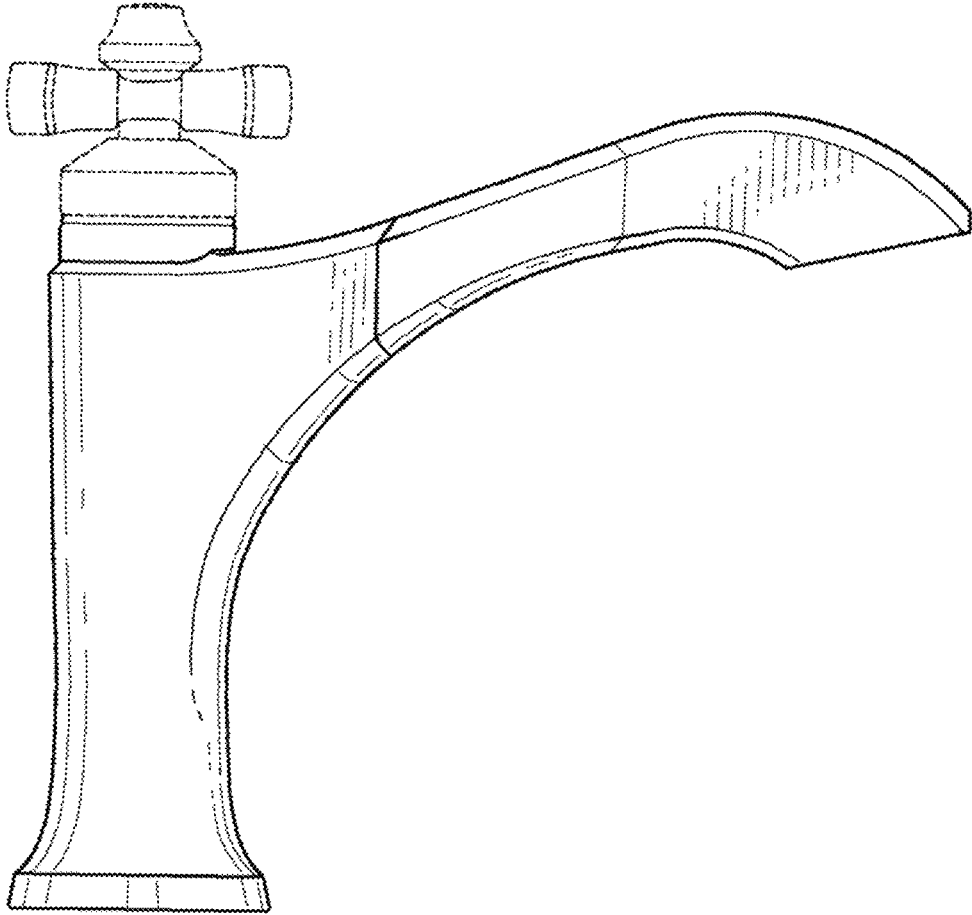


Fig-4

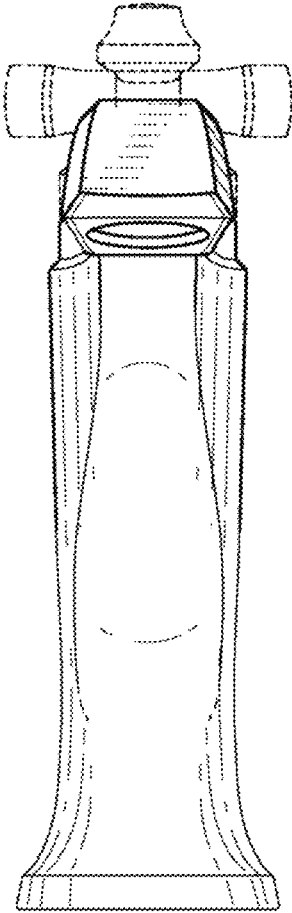


Fig-5

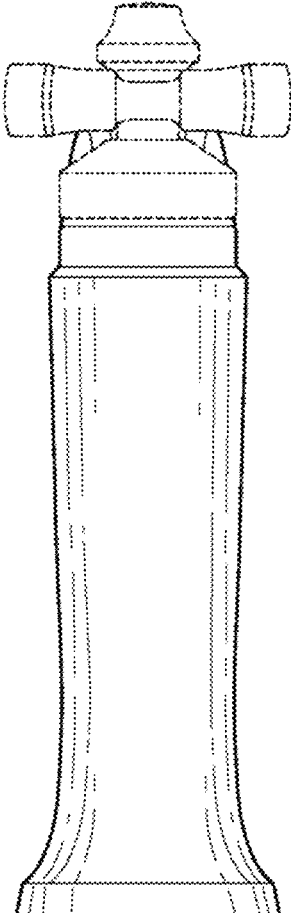


Fig-6