



US00D795441S

(12) **United States Design Patent**  
**Clement et al.**

(10) **Patent No.:** **US D795,441 S**

(45) **Date of Patent:** **\*\* Aug. 22, 2017**

(54) **HYGIENIC SUPPORT**

(71) Applicant: **Community Products, LLC**, Rifton,  
NY (US)

(72) Inventors: **Gideon Clement**, Rifton, NY (US);  
**Samuel Durgin**, Elka Park, NY (US);  
**Tobias Brinkmann**, Elka Park, NY  
(US); **Gilbert Thomson**, Elsmore (AU)

(73) Assignee: **Community Products, LLC**, Rifton,  
NY (US)

(\*\*) Term: **14 Years**

(21) Appl. No.: **29/494,100**

(22) Filed: **Jun. 17, 2014**

(51) **LOC (10) Cl.** ..... **24-04**

(52) **U.S. Cl.**  
USPC ..... **D24/188**

(58) **Field of Classification Search**  
USPC ..... D24/183, 188; D12/128-133  
CPC ..... A61G 7/1059; A47K 3/122; A61H  
2201/0149  
See application file for complete search history.

(56) **References Cited**

**U.S. PATENT DOCUMENTS**

4,662,361	A *	5/1987	Patterson	.....	A61G 15/007
					128/845
D296,364	S *	6/1988	Nippoldt	.....	D24/183
D298,569	S *	11/1988	Nippoldt	.....	D24/183
D298,570	S *	11/1988	Nippoldt	.....	D24/183
5,054,137	A *	10/1991	Christensen	.....	A61G 7/1038
					5/81.1 RP
D362,911	S *	10/1995	Helms	.....	D24/188
D494,110	S *	8/2004	Cheng	.....	D12/131
D496,463	S *	9/2004	Hunt	.....	D24/188
D589,623	S *	3/2009	Olliges	.....	D24/188
D598,816	S *	8/2009	Ahlbertz	.....	D12/131
D627,270	S *	11/2010	Kretschmer	.....	D12/131

D677,606	S *	3/2013	Akre	.....	D12/131
D699,160	S *	2/2014	Yang	.....	D12/131
2004/0222611	A1 *	11/2004	Fenwick	.....	A61G 5/006
					280/250.1

(Continued)

**OTHER PUBLICATIONS**

European Community Design Registration No. 002484568-0001,  
registered on Jun. 17, 2014.

(Continued)

*Primary Examiner* — T. Chase Nelson

*Assistant Examiner* — Michelle E Wilson

(74) *Attorney, Agent, or Firm* — Amster, Rothstein &  
Ebenstein, LLP

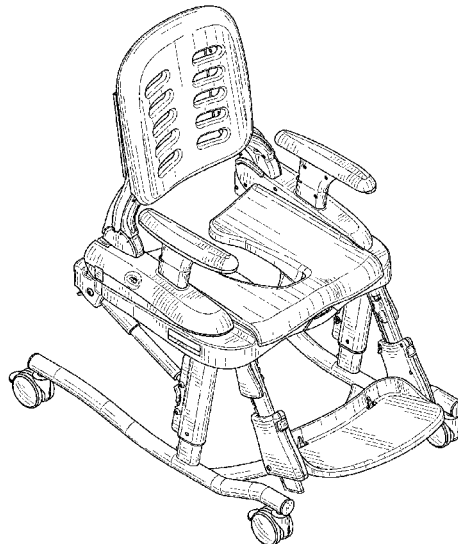
(57) **CLAIM**

The ornamental design for a hygienic support, as shown and  
described.

**DESCRIPTION**

FIG. 1 is an isometric view of an exemplary embodiment of  
a hygienic support according to the present invention;  
FIG. 2 is a front view of the hygienic support shown in FIG.  
1;  
FIG. 3 is a rear view of the hygienic support shown in FIG.  
1;  
FIG. 4 is a right side view of the hygienic support shown in  
FIG. 1;  
FIG. 5 is a left side view of the hygienic support shown in  
FIG. 1;  
FIG. 6 is a top plan view of the hygienic support shown in  
FIG. 1; and,  
FIG. 7 is a bottom plan view of the hygienic support shown  
in FIG. 1.  
That portion(s) shown in broken lines are for environmental  
purposes only and do not form part of the claimed design.

**1 Claim, 7 Drawing Sheets**



(56)

**References Cited**

U.S. PATENT DOCUMENTS

2005/0065675 A1\* 3/2005 Georgi ..... A61G 5/043  
701/23  
2007/0169267 A1\* 7/2007 Paz ..... A61G 7/015  
5/610  
2012/0132213 A1\* 5/2012 Kakko ..... A61F 5/3784  
128/845

OTHER PUBLICATIONS

European Community Design Registration No. 002484568-0002,  
registered on Jun. 17, 2014.

\* cited by examiner

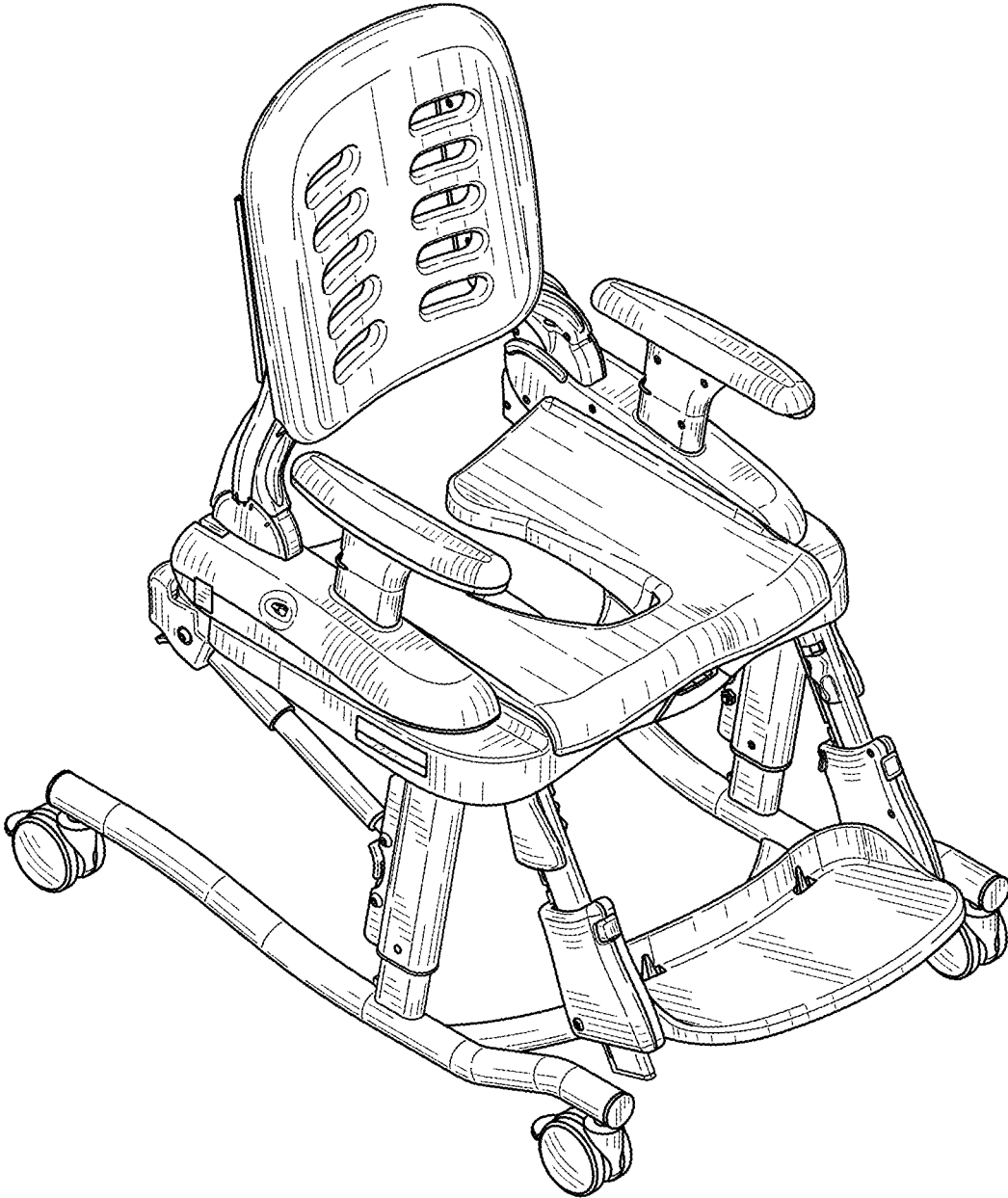


FIG. 1

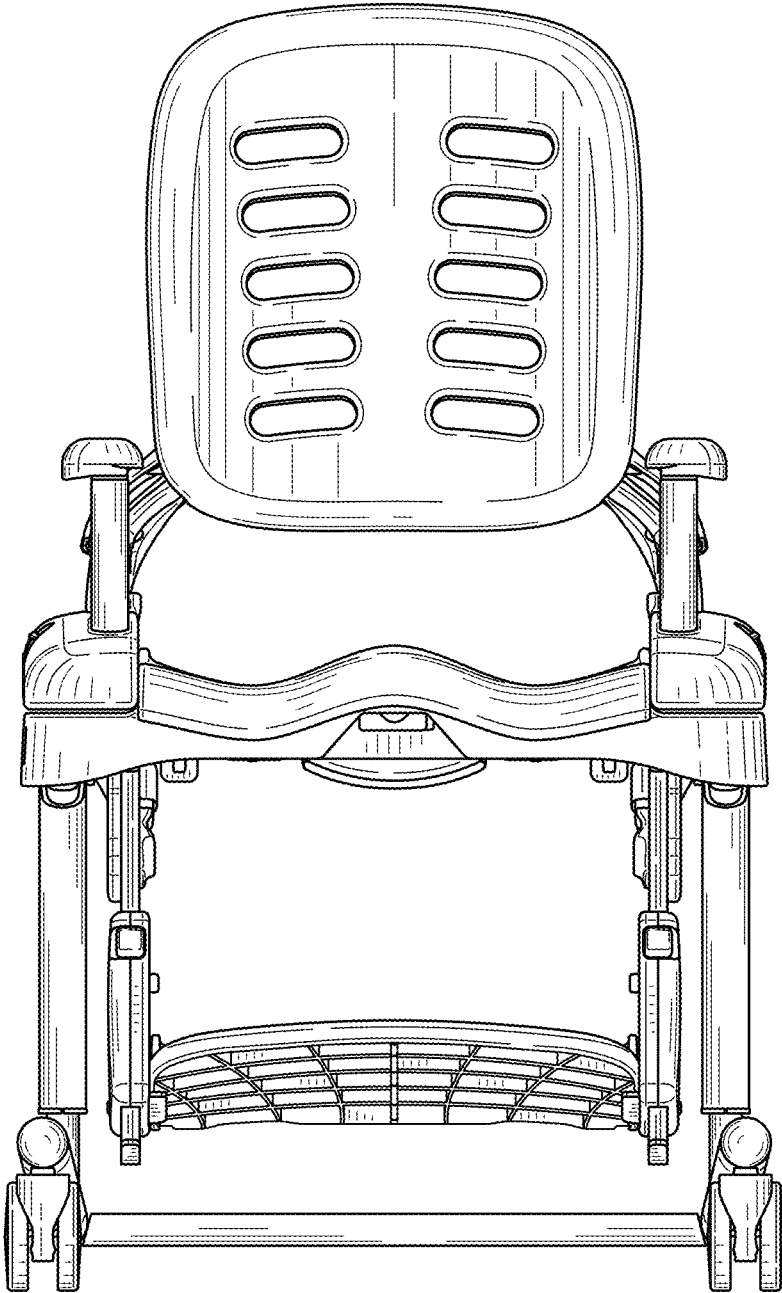


FIG. 2

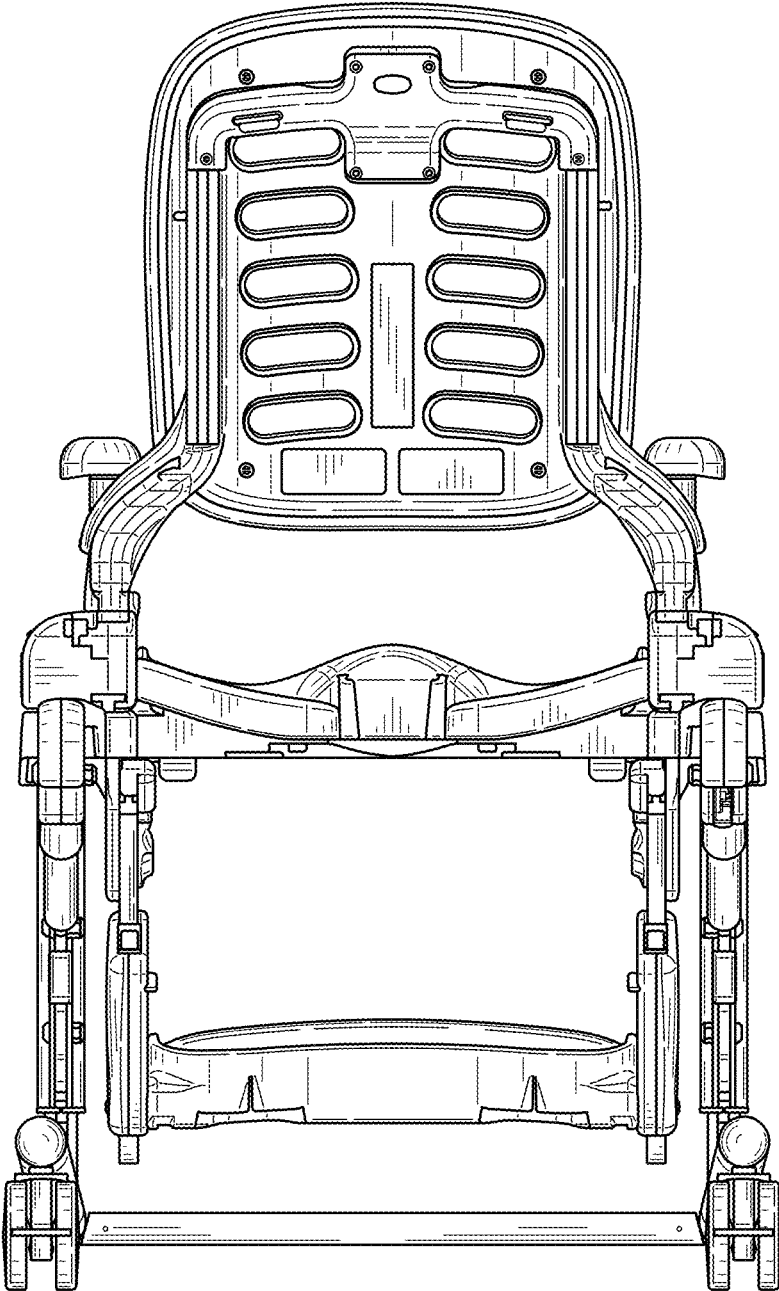


FIG. 3

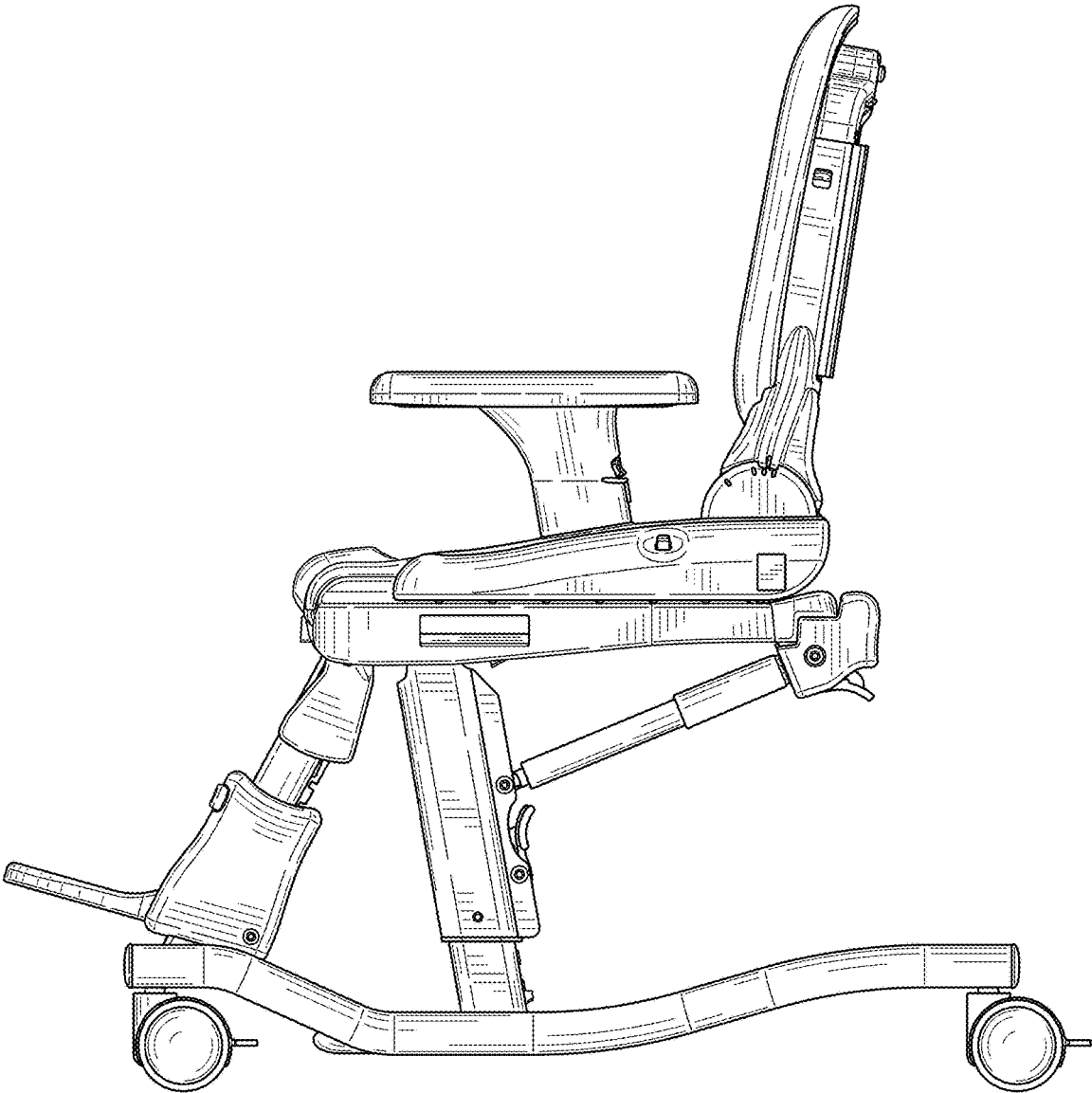


FIG. 4

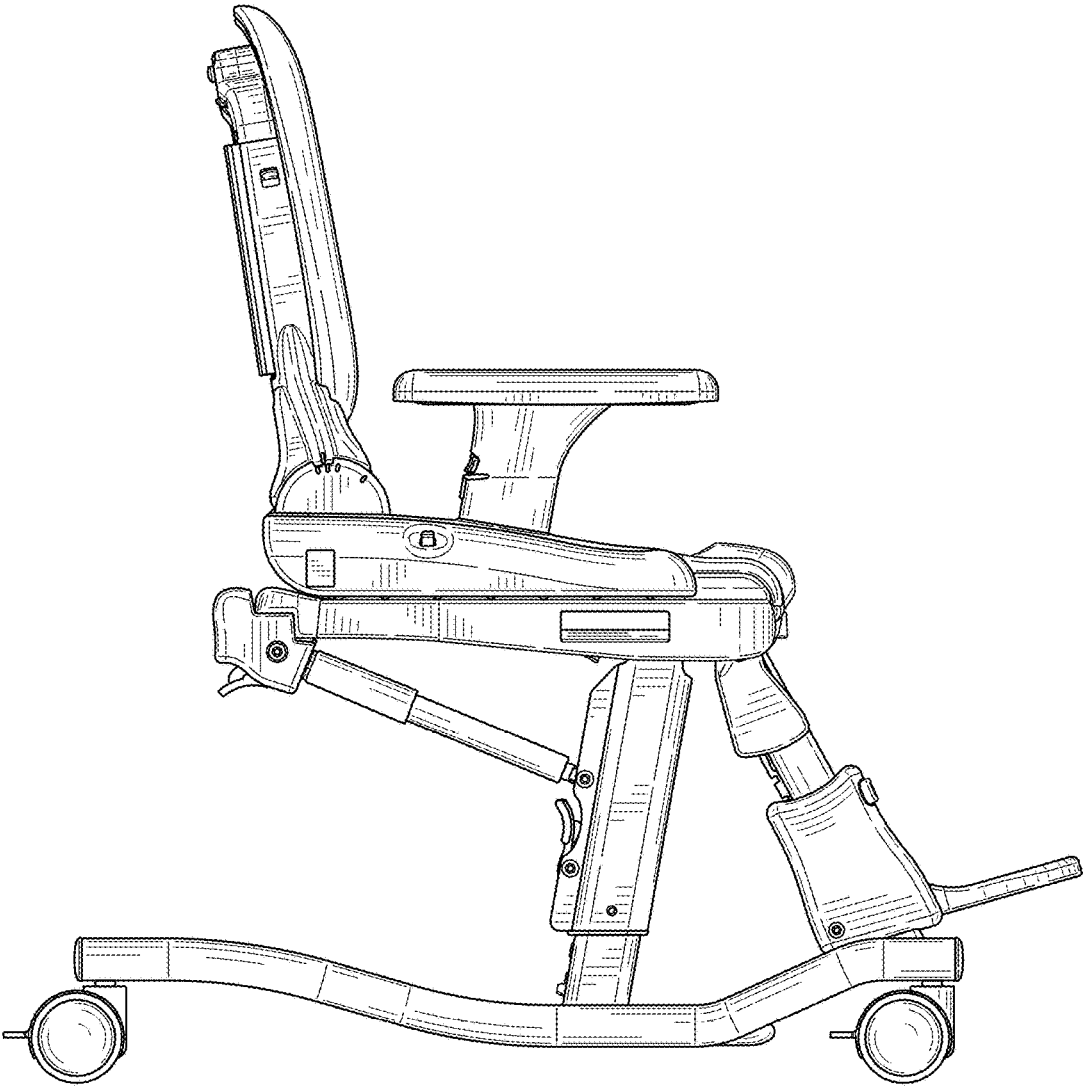


FIG. 5

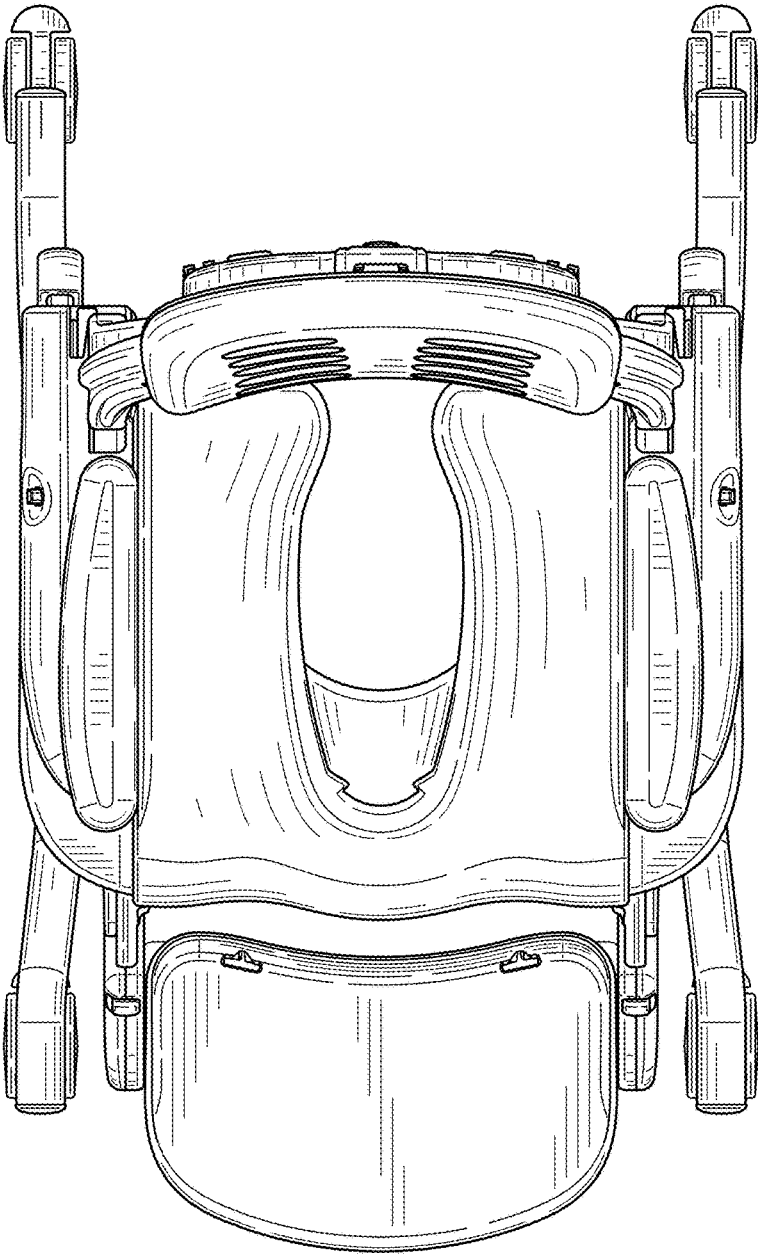


FIG. 6

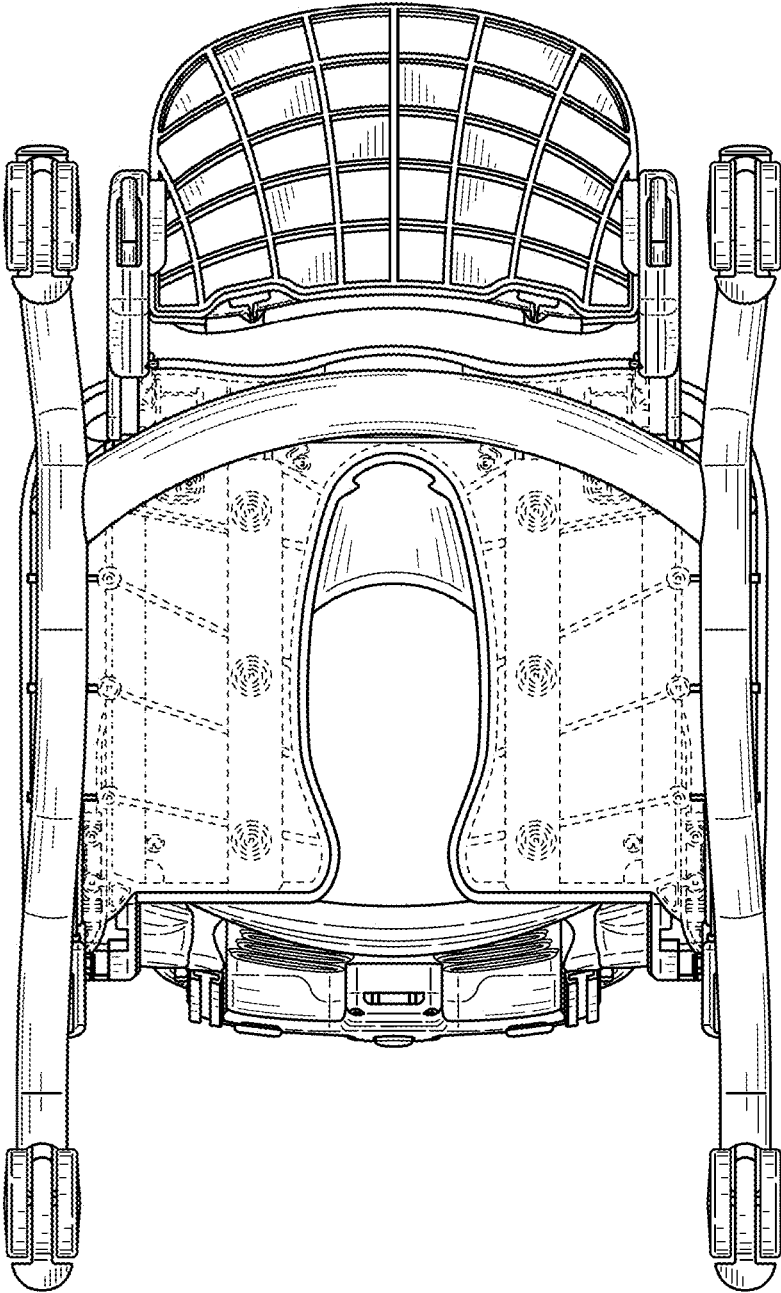


FIG. 7