



US00D490754S

(12) **United States Design Patent**  
**Harris**

(10) **Patent No.:** **US D490,754 S**

(45) **Date of Patent:** **\*\* Jun. 1, 2004**

(54) **SELECTIVELY PLACEABLE DENT GUARD WITH MAGNETIC BACK AND CORD-AND-HANDLE FOR EASY REMOVAL**

6,186,564 B1 \* 2/2001 Ashcroft ..... 293/128

\* cited by examiner

*Primary Examiner*—Melody N. Brown

(74) *Attorney, Agent, or Firm*—Donald R. Schoonover

(76) **Inventor:** **Douglas A. Harris**, 15187 Stone Horse Creek Rd., Glen Allen, VA (US) 23059

(\*\*) **Term:** **14 Years**

(57) **CLAIM**

The ornamental design for a selectively placeable dent guard with magnetic back and cord-and-handle for easy removal, as shown and described.

(21) **Appl. No.:** **29/178,677**

(22) **Filed:** **Mar. 31, 2003**

**DESCRIPTION**

(51) **LOC (7) Cl.** ..... **12-16**

(52) **U.S. Cl.** ..... **D12/167**

(58) **Field of Search** ..... D12/167, 190, D12/191; 293/1, 126, 128, 136; 280/429, 770

FIG. 1 is a perspective view of a selectively placeable dent guard with magnetic back and cord-and-handle for easy removal showing my new design;

FIG. 2 is a side elevational view thereof, the elevational view of the opposing side being a mirror image thereof;

FIG. 3 is an end elevational view thereof;

FIG. 4 is an elevational view of the opposing end thereof;

FIG. 5 is a top plan view thereof;

FIG. 6 is a bottom plan view thereof; and,

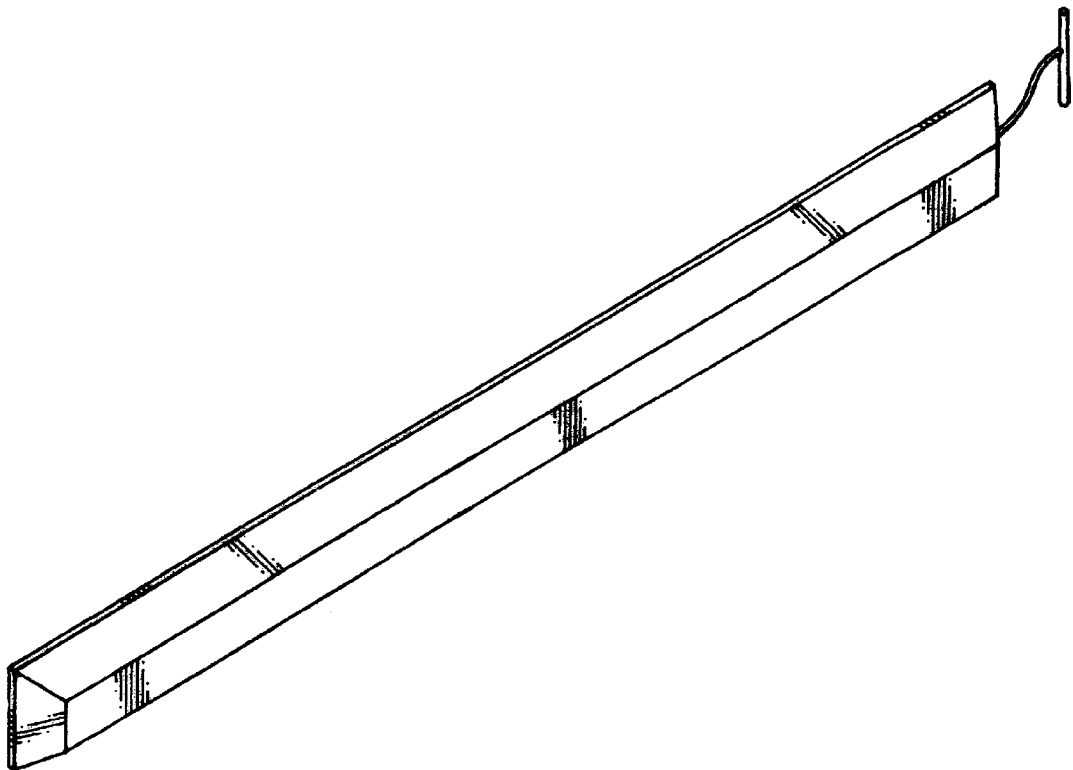
FIG. 7 is a reduced side elevational view showing the selectively placeable dent guard with magnetic back and cord-and-handle for easy removal in use; the broken lines depict environmental structure for illustrative purposes only and form no part of the claimed design.

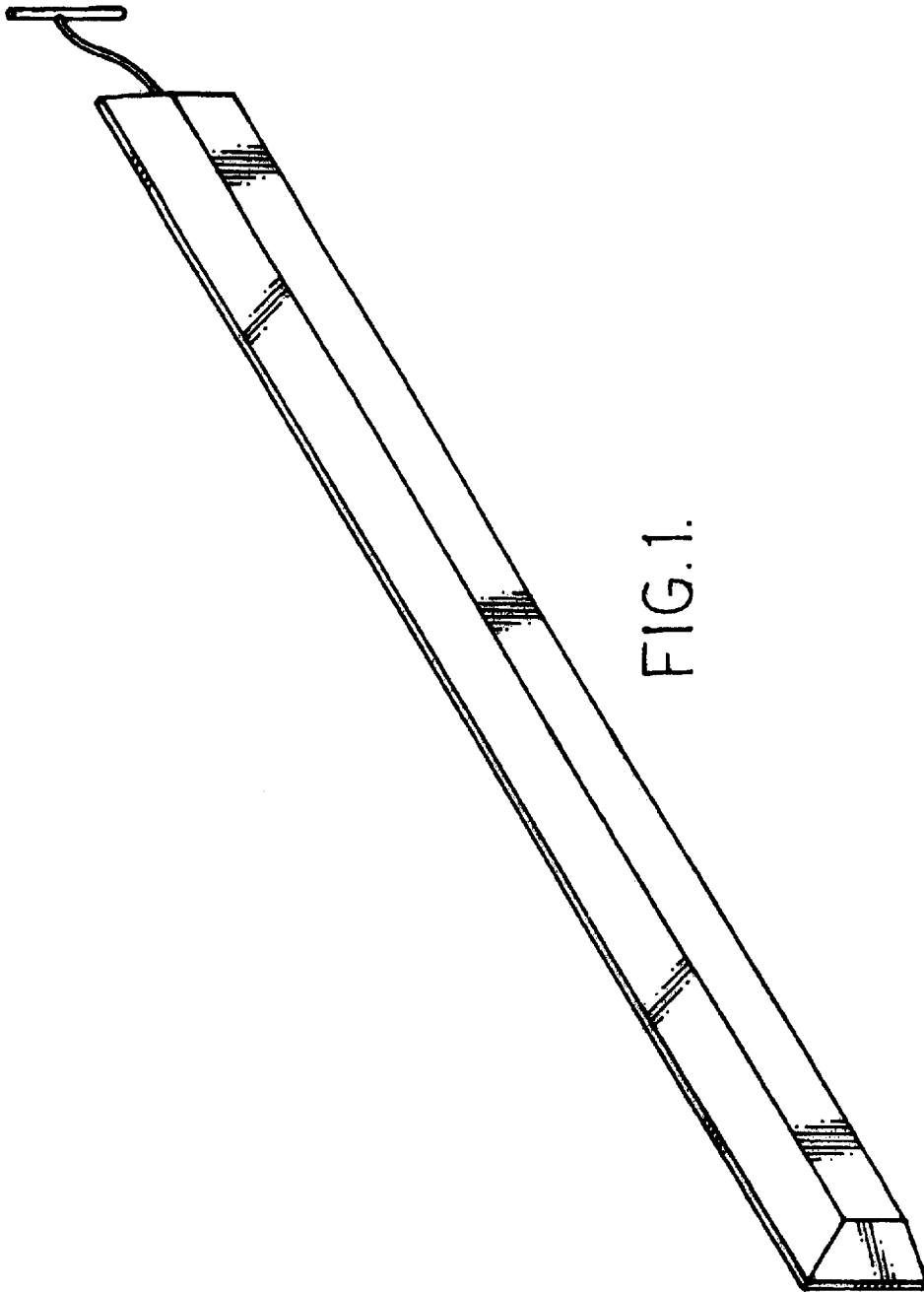
(56) **References Cited**

**U.S. PATENT DOCUMENTS**

2,240,181	A	4/1941	Fairbank	
4,127,294	A	11/1978	Cooper	
D294,819	S	* 3/1988	Kuri	..... D12/191
4,810,015	A	3/1989	McNeil	
4,974,892	A	12/1990	Huard	
4,997,229	A	3/1991	Swanson	
5,184,857	A	2/1993	Hawkins	
5,320,392	A	6/1994	Hart	
D437,810	S	* 2/2001	Runfola	..... D12/167

**1 Claim, 4 Drawing Sheets**





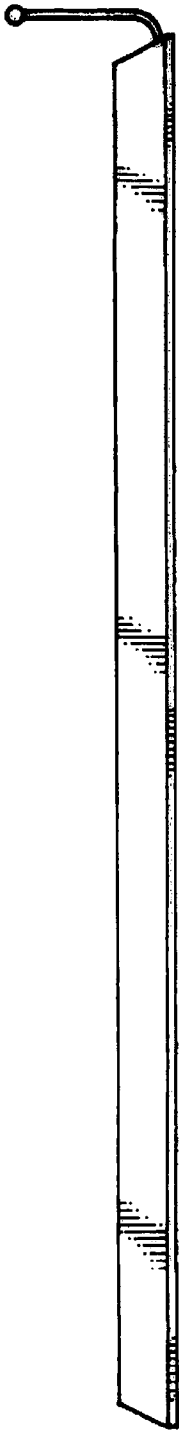


FIG. 2.

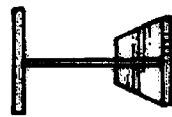


FIG. 3.

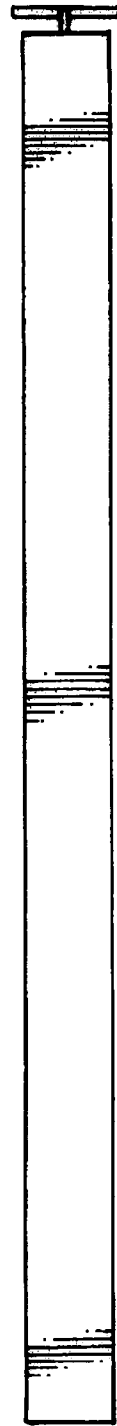


FIG. 6.

FIG. 5.

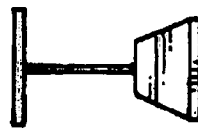
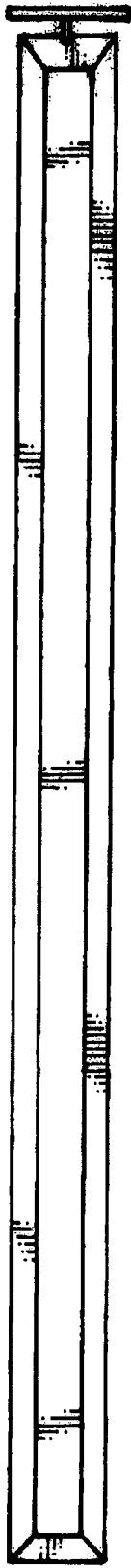


FIG. 4.

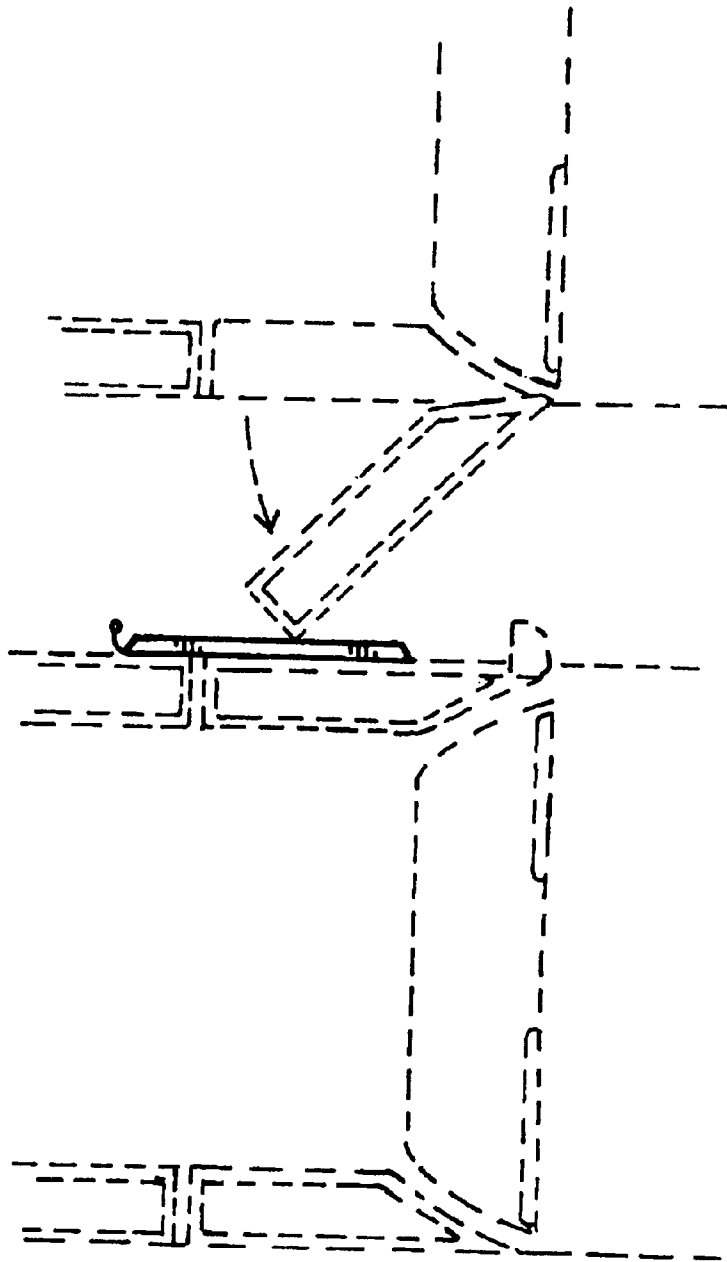


FIG. 7.