



US00D880365S

(12) **United States Design Patent** (10) **Patent No.:** **US D880,365 S**  
**McGinley et al.** (45) **Date of Patent:** **\*\* Apr. 7, 2020**

(54) **MOTORCYCLE**

(71) Applicant: **Harley-Davidson Motor Company Group, LLC**, Milwaukee, WI (US)  
(72) Inventors: **Ben McGinley**, Glendale, WI (US); **Frank Savage**, Fox Point, WI (US); **Brad Richards**, Grafton, WI (US); **Alexander John Bozmoski**, Brookfield, WI (US); **Jeffrey Smith**, Waukesha, WI (US); **Terry Rumpel**, West Bend, WI (US); **Brendon Smith**, Milwaukee, WI (US); **Timothy McChesney**, Kewaskum, WI (US); **Joseph Dennert**, Waukesha, WI (US); **Michael Case**, Hartland, WI (US); **Kyle Wick**, Menomonee Falls, WI (US); **Matthew Paradise**, Milwaukee, WI (US); **Jeremy Lenzendorf**, West Bend, WI (US); **Carl Hoy**, Hartford, WI (US); **Richard Bradatsch**, Menomonee Falls, WI (US); **Michael Carlin**, Sussex, WI (US); **Matthew Mueller**, Wauwatosa, WI (US); **Scott Matthews**, Franklin, WI (US); **Robert Wong**, Whitefish Bay, WI (US)

(73) Assignee: **Harley-Davidson Motor Company Group, LLC**, Milwaukee, WI (US)

(\*\*) Term: **15 Years**

(21) Appl. No.: **29/658,288**

(22) Filed: **Jul. 30, 2018**

(51) **LOC (12) Cl.** ..... **12-11**

(52) **U.S. Cl.** ..... **D12/110**

(58) **Field of Classification Search**

USPC ..... D12/110, 111, 117; D21/432, 538

CPC ..... B62K 11/00; B62K 11/02; B62K 11/04;

B62K 11/10; B62K 17/00; B62K 19/00;

B62K 2202/00

See application file for complete search history.

(56) **References Cited**

**U.S. PATENT DOCUMENTS**

D383,096 S \* 9/1997 Abe ..... D12/110  
D444,103 S \* 6/2001 Robb ..... D12/110  
D456,748 S 5/2002 Keating et al.  
D482,640 S 11/2003 Tamura et al.  
D504,640 S \* 5/2005 Conte ..... D12/110  
D516,468 S \* 3/2006 Kuboshima ..... D12/110  
D517,957 S \* 3/2006 Savage ..... D12/110

(Continued)

**OTHER PUBLICATIONS**

Adam Waheed. "The New Sportster? 2020 Harley-Davidson 1,250cc Custom Preview." *Motorcyclist*, Jul. 30, 2018 [online], [retrieved on Oct. 22, 2019]. Retrieved from the Internet <URL: <https://www.motorcyclistonline.com/new-sportster-2020-harley-davidson-1250cc-custom-preview/>>.\*

(Continued)

*Primary Examiner* — Darlington Ly

(74) *Attorney, Agent, or Firm* — Foley & Lardner LLP

(57) **CLAIM**

We claim the ornamental design for a motorcycle, as shown and described.

**DESCRIPTION**

FIG. 1 is a top, front, left perspective view of the claimed design;

FIG. 2 is a left side elevation view thereof;

FIG. 3 is a right side elevation view thereof;

FIG. 4 is a front elevation view thereof;

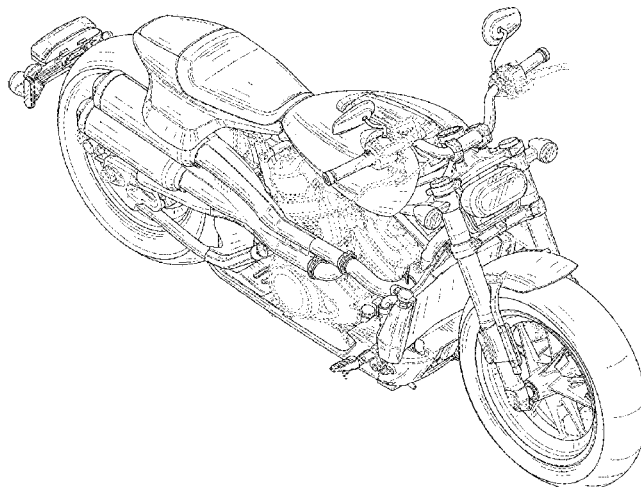
FIG. 5 is a rear elevation view thereof;

FIG. 6 is a top plan view thereof;

FIG. 7 is a bottom plan view thereof.

The broken lines in the drawings illustrate portions of the motorcycle that form no part of the claimed design.

**1 Claim, 7 Drawing Sheets**



(56)

**References Cited**

U.S. PATENT DOCUMENTS

D525,919 S 8/2006 Sugimoto  
 D543,905 S \* 6/2007 Domergue ..... D12/110  
 D544,816 S \* 6/2007 Davidson ..... D12/110  
 D582,318 S \* 12/2008 Kishi ..... D12/110  
 D610,044 S 2/2010 Sugimoto  
 D723,979 S \* 3/2015 Yu ..... D12/110  
 D753,024 S 4/2016 Futamata et al.  
 D753,552 S \* 4/2016 McGinley ..... D12/110  
 D755,682 S 5/2016 Hahn-Woernle  
 D758,925 S 6/2016 Tamura  
 D766,135 S 9/2016 Davidson et al.  
 D774,964 S \* 12/2016 Akashi ..... D12/110  
 D776,013 S \* 1/2017 Kiska ..... D12/110  
 D776,575 S \* 1/2017 Kiska ..... D12/110  
 9,694,870 B2 \* 7/2017 Kawai ..... B62K 25/04  
 D793,285 S \* 8/2017 Toyama ..... D12/110

D796,384 S \* 9/2017 Galluzzi ..... D12/110  
 D796,385 S \* 9/2017 Galluzzi ..... D12/110  
 D805,439 S 12/2017 Hohdorf  
 9,855,937 B2 \* 1/2018 Ishii ..... B62L 3/023  
 D811,945 S 3/2018 Laliberte  
 2014/0291051 A1 \* 10/2014 Yoshida ..... F01P 5/06  
 180/229

OTHER PUBLICATIONS

Cope, Chris, "Everything We Know About the Harley-Davidson Pan America 1250", The Motorcycle Obsession, Jul. 31, 2018, <https://themotorcycleobsession.com/2018/07/31/everything-we-know-about-the-harley-davidson-pan-america-1250/>, 10 pages.  
 Miller, Marylou, "First look at the 2020 Harley-Davidson Streetfighter." Clement Cycling, Jan. 27, 2019, <https://clementcycling.com/2020-harley-davidson-streetfighter/>, 3 pages.

\* cited by examiner

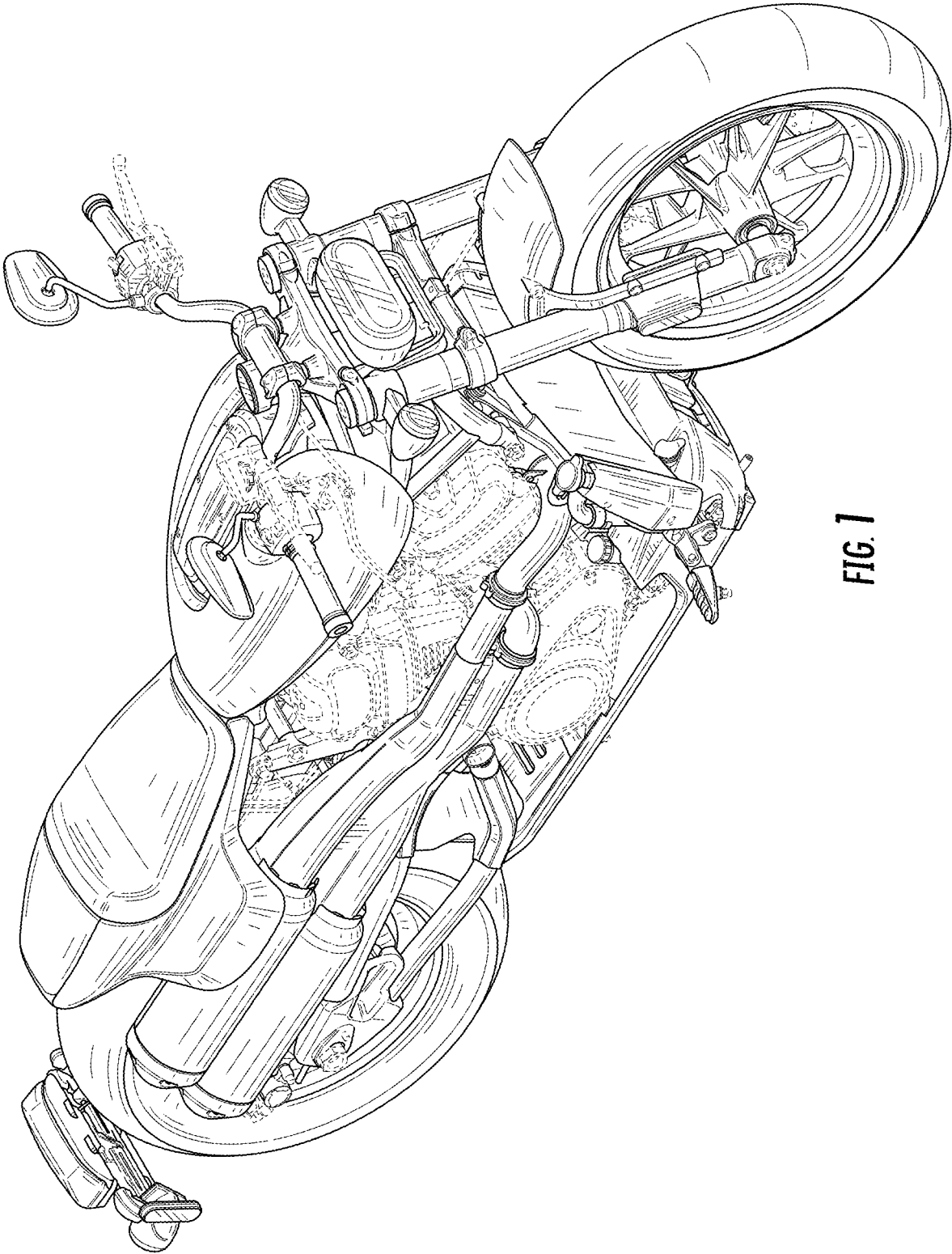


FIG. 1

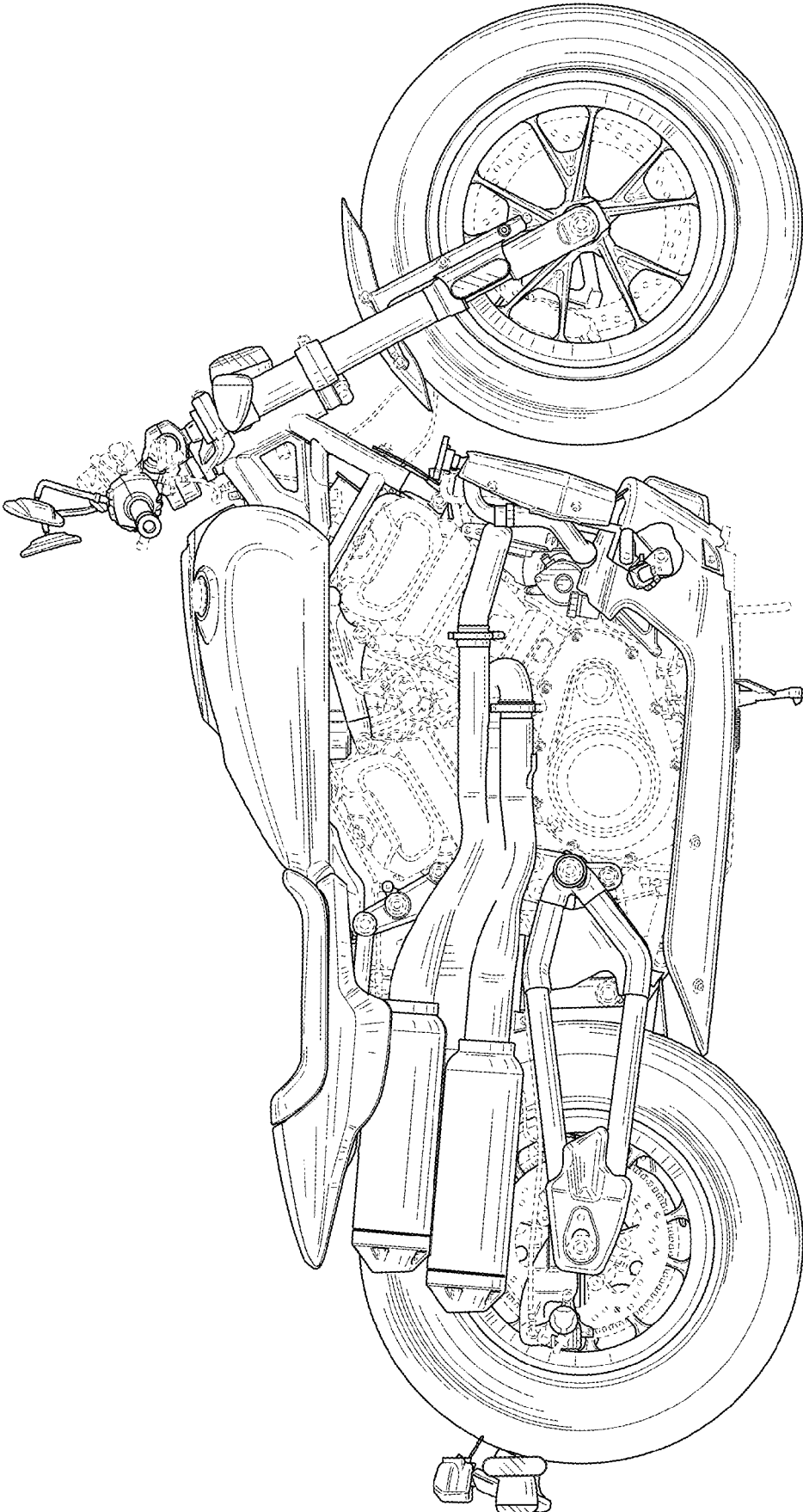


FIG. 2

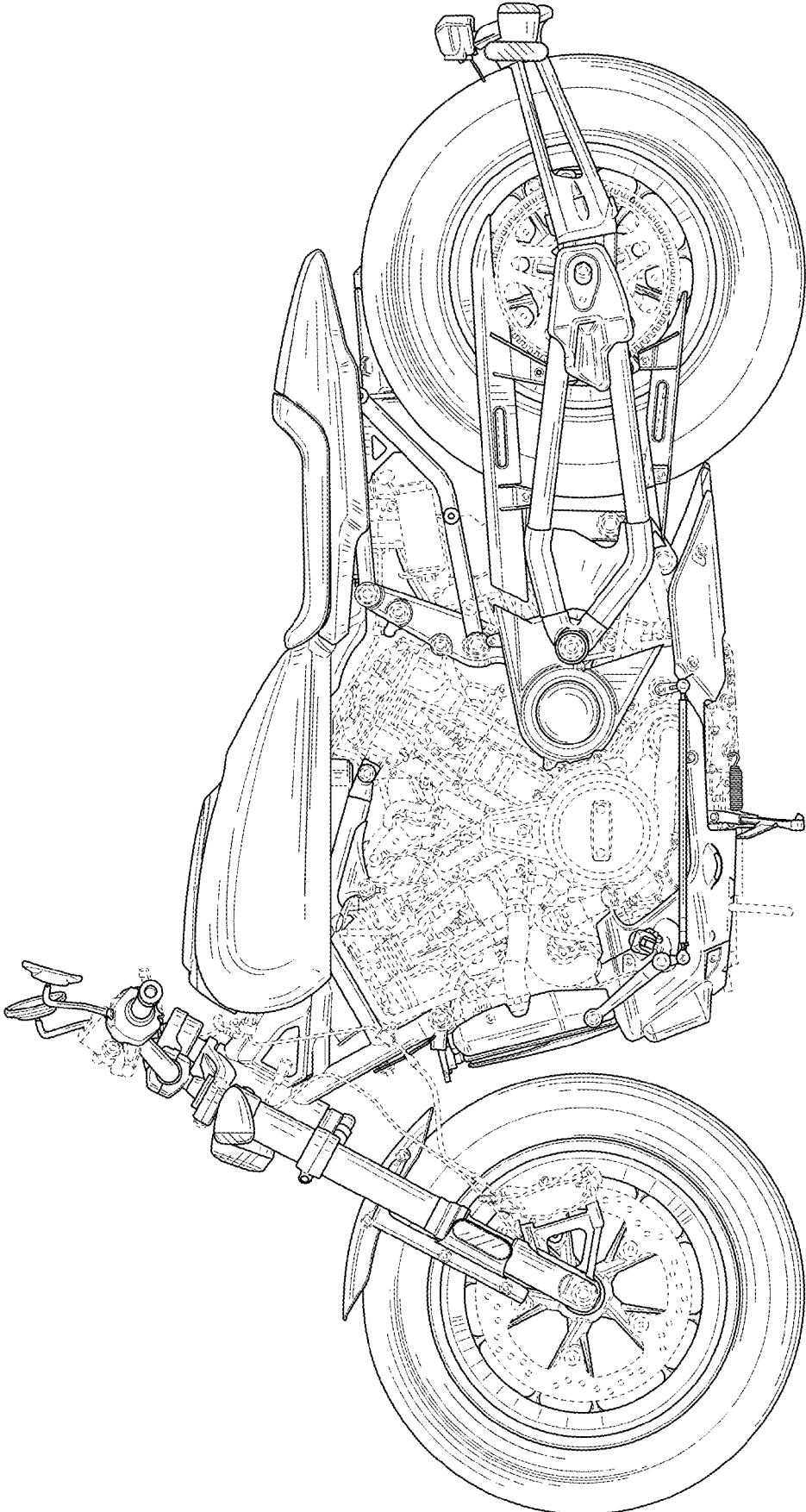


FIG. 3

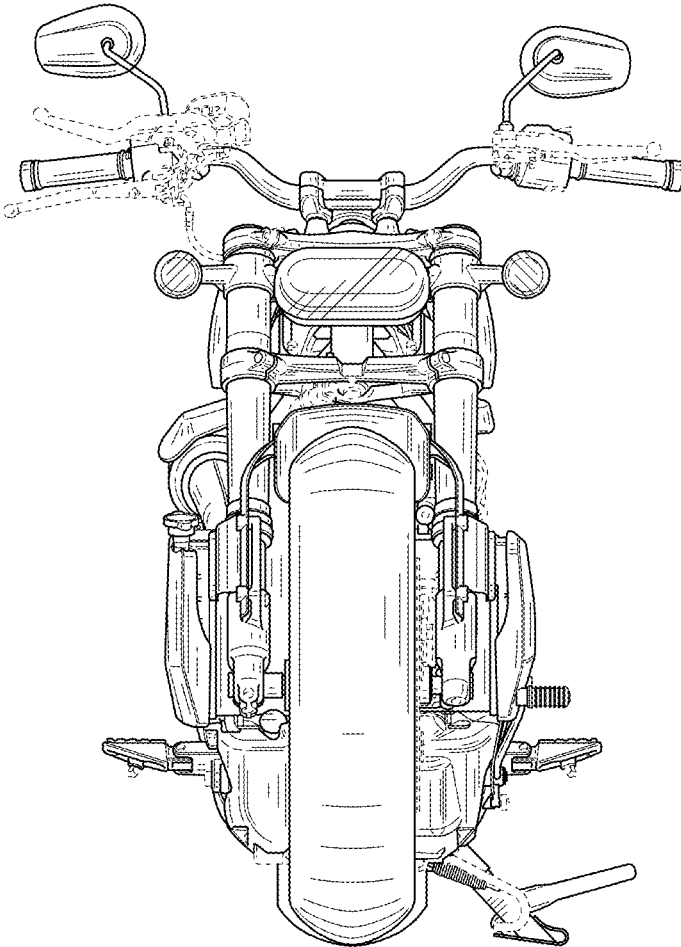


FIG. 4

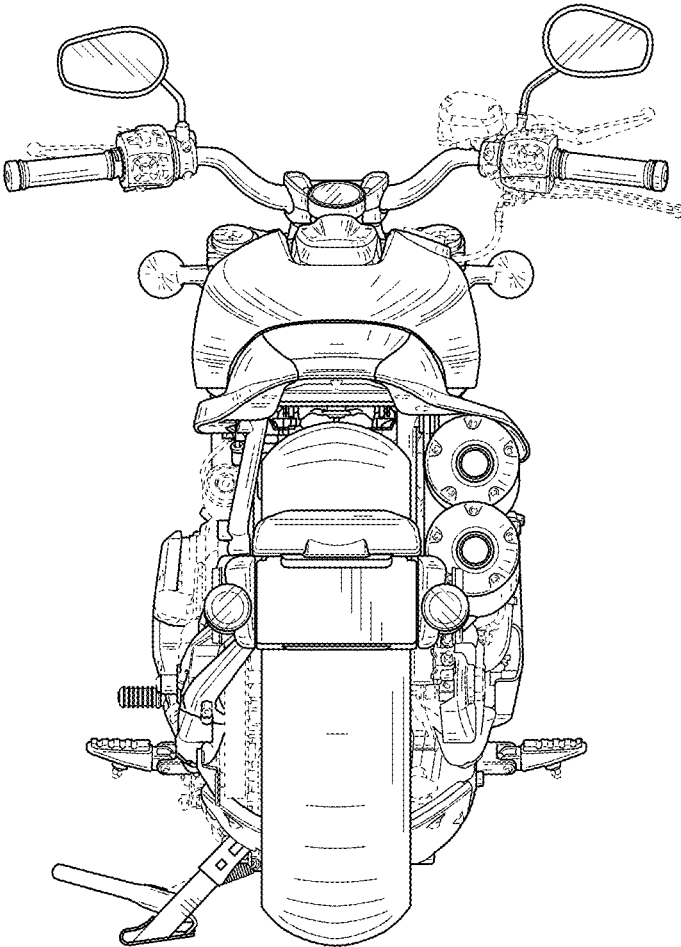


FIG. 5

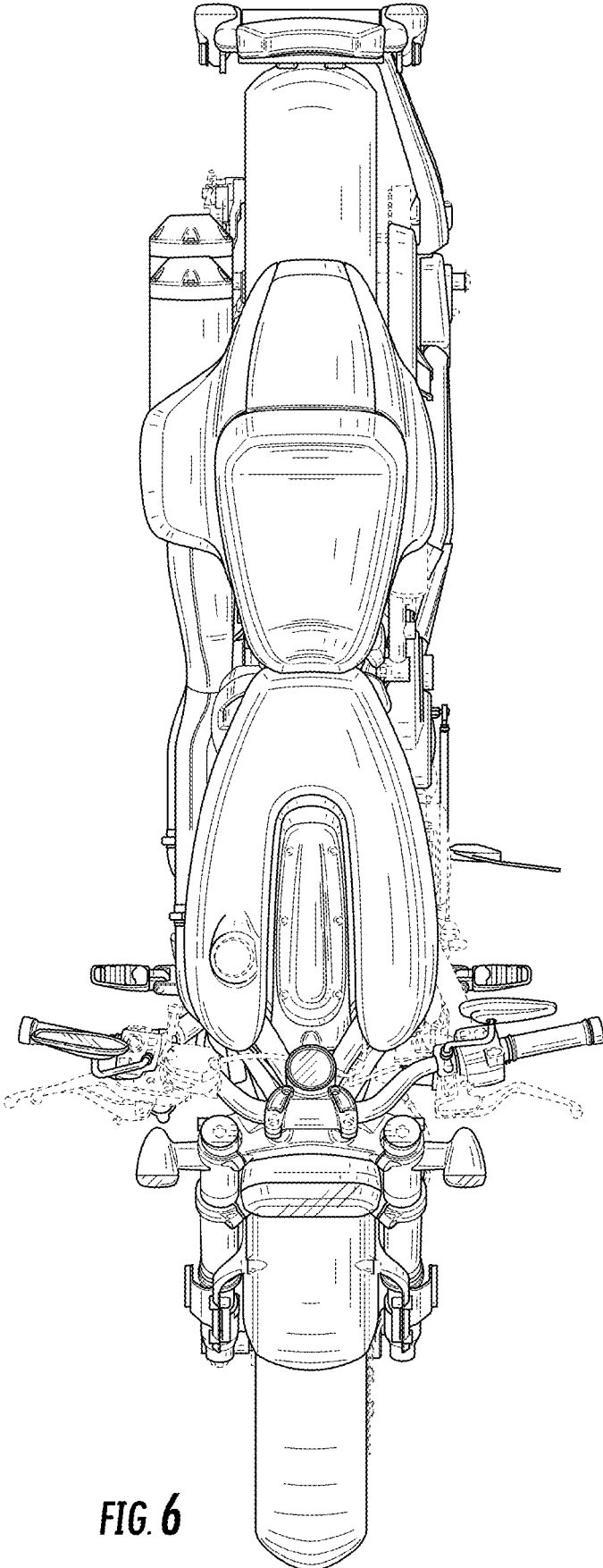


FIG. 6

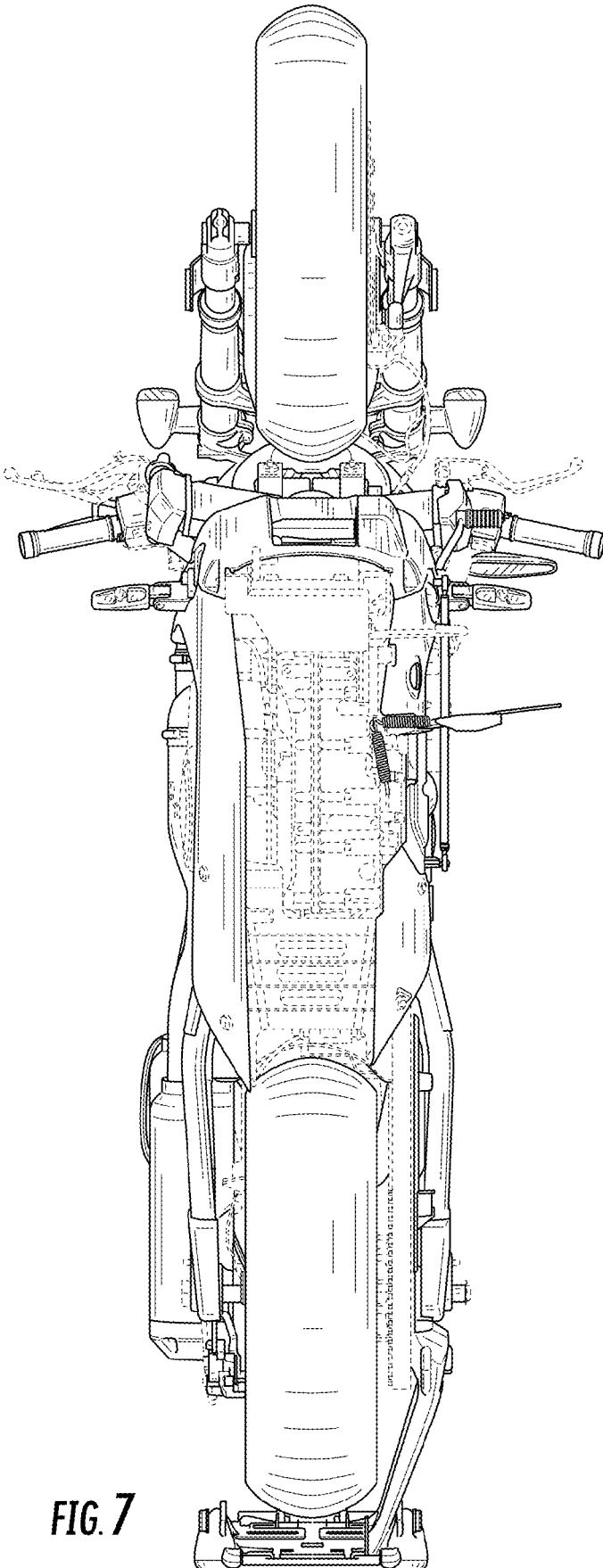


FIG. 7