



(43) International Publication Date
22 November 2012 (22.11.2012)

- (51) International Patent Classification:
B60W 10/24 (2006.01) *B60K 16/00* (2006.01)
B60K 7/00 (2006.01)
- (21) International Application Number:
PCT/US2011/052124
- (22) International Filing Date:
19 September 2011 (19.09.2011)
- (25) Filing Language: English
- (26) Publication Language: English
- (30) Priority Data:
61/488,048 19 May 2011 (19.05.2011) US
- (71) Applicant (for all designated States except US): **BLUE WHEEL TECHNOLOGIES, INC.** [US/US]; 250 Gardner Road, Kyle, Texas 78640 (US).
- (72) Inventor; and
- (75) Inventor/Applicant (for US only): **STOICOVICIU, Laurian** [US/US]; 250 Gardner Road, Kyle, Texas 78640 (US).
- (74) Agent: **PREWITT, Brian K.**; Baker Botts L.L.P., Foreign Patent Department, 98 San Jacinto Blvd., Suite 1500, Austin, Texas 78701 (US).

(81) Designated States (unless otherwise indicated, for every kind of national protection available): AE, AG, AL, AM, AO, AT, AU, AZ, BA, BB, BG, BH, BR, BW, BY, BZ, CA, CH, CL, CN, CO, CR, CU, CZ, DE, DK, DM, DO, DZ, EC, EE, EG, ES, FI, GB, GD, GE, GH, GM, GT, HN, HR, HU, ID, IL, IN, IS, JP, KE, KG, KM, KN, KP, KR, KZ, LA, LC, LK, LR, LS, LT, LU, LY, MA, MD, ME, MG, MK, MN, MW, MX, MY, MZ, NA, NG, NI, NO, NZ, OM, PE, PG, PH, PL, PT, QA, RO, RS, RU, RW, SC, SD, SE, SG, SK, SL, SM, ST, SV, SY, TH, TJ, TM, TN, TR, TT, TZ, UA, UG, US, UZ, VC, VN, ZA, ZM, ZW.

(84) Designated States (unless otherwise indicated, for every kind of regional protection available): ARIPO (BW, GH, GM, KE, LR, LS, MW, MZ, NA, SD, SL, SZ, TZ, UG, ZM, ZW), Eurasian (AM, AZ, BY, KG, KZ, MD, RU, TJ, TM), European (AL, AT, BE, BG, CH, CY, CZ, DE, DK, EE, ES, FI, FR, GB, GR, HR, HU, IE, IS, IT, LT, LU, LV, MC, MK, MT, NL, NO, PL, PT, RO, RS, SE, SI, SK, SM, TR), OAPI (BF, BJ, CF, CG, CI, CM, GA, GN, GQ, GW, ML, MR, NE, SN, TD, TG).

Declarations under Rule 4.17:

— of inventorship (Rule 4.17(iv))

Published:

— with international search report (Art. 21(3))

(54) Title: SYSTEMS AND METHODS FOR POWERING A VEHICLE

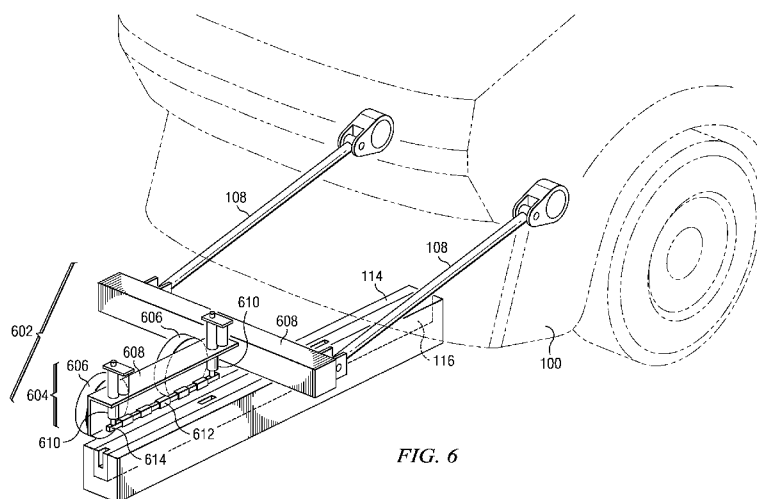


FIG. 6

(57) Abstract: A system and method for powering of a vehicle is disclosed. In accordance with embodiments of the present disclosure, a powering assembly may a carrier having one or more structural elements, an axle coupled to the carrier, a wheel coupled to the axle and configured to rotate about the axle in a plane substantially perpendicular to an axis of the axle and substantially linear rod mechanically coupled to the carrier such that the longitudinal axis of the rod is perpendicular to the axis of the axle. A secondary coil winding may be affixed to the rod and configured such that when the rod is proximate to an embedded conductor embedded in a roadway and carrying a first electrical current, a magnetic field induced by the first electrical current induces a second electrical current in the secondary coil winding.



SYSTEMS AND METHODS FOR POWERING A VEHICLE

RELATED APPLICATIONS

This application claims the benefit of U.S. provisional application number 61/488,048 filed May 19, 2011, the contents of which are hereby incorporated by reference in its entirety.

5 This application is also copending with pending PCT application serial number US2011/043933 filed July 14, 2011; U.S. patent application serial number 13/188,010 filed July 21, 2011; and U.S. patent application serial number 13/188,110 filed July 21, 2011.

10 TECHNICAL FIELD

The present invention relates generally to powering of motor vehicles, and more particularly to powering of a vehicle from a roadway-embedded conductor using magnetic induction and electric conduction.

BACKGROUND

15 Due to increased environmental consciousness and political and economic concerns associated with the importation of foreign petroleum products, electric vehicles have been considered as alternatives to traditional internal combustion engine vehicles. However, significant transition from use of internal combustion engine vehicles to electric vehicles or hybrid electric/combustion engine vehicles has not
20 been realized due to numerous challenges and disadvantages.

For example, an existing challenge is the relatively short range of electric vehicles utilizing batteries coupled with battery recharge times that may be significantly larger than the usage time of the battery. This shortcoming has been addressed by various approaches employing magnetic induction (also known as
25 inductive coupling) to power vehicles and/or charge vehicle batteries.

To achieve inductive coupling of energy between physically separate elements, a primary coil may be electrically coupled to a current source such that the flow of current through the primary coil induces a magnetic field surrounding the primary coil. Current may be induced in a secondary coil when turns of the secondary

coil cut through imaginary lines of flux of the magnetic field. The turns of the secondary coil may be caused to cut through magnetic lines of flux by producing relative motion between the primary and secondary coils and/or by causing the magnetic field to fluctuate using an alternating current source coupled to the primary coil.

In vehicles, magnetic induction powering has been proposed by providing a primary coil that is embedded in or near a roadway or path of vehicle travel and by affixing a secondary coil to the vehicle, such that the secondary coil moves with the vehicle, thereby producing relative motion between the primary and secondary coils. Presently, induction powering systems have been deployed only for charging stationary vehicles (e.g, in parking areas). However, such traditional approaches of applying magnetic induction powering are not without shortcomings.

As an example, one shortcoming is the distance between the primary coil and the secondary coil in traditional approaches. To provide clearance of the secondary coil from debris and other roadway hazards, traditional approaches provide an air gap between the roadway (having the primary coil) and a pick-up unit carrying the secondary coil. Such an air gap may reduce the effectiveness of magnetic induction, as inductive coupling between two coils decreases as the distance between the coils increases. A similar shortcoming is that traditional approaches do not ensure lateral alignment between the primary coil and the secondary coil. Due to such shortcoming, some vehicles, particularly those vehicles steered by a person, may stray from a centerline of a roadway, thereby reducing the inductive coupling between the primary and secondary coils. Additionally, another shortcoming of approaches pre-dating this disclosure is that the distance between the pavement and the secondary may continuously vary on a vehicle in motion due to horizontal motion of a vehicle in motion generated by the non-uniformity of pavement and the response of vehicle shock and struts.

As another example, the relative motion between a primary coil embedded in a roadway and a secondary coil mounted to a vehicle may not be sufficient to induce a sufficient amount of current in the secondary coil. While the current induced in the secondary coil may be increased by utilizing high-frequency alternating current in the

primary coil, the resulting induced current may still remain insufficient to provide the necessary power or charging.

In addition, proposed methods to providing powering to a vehicle from a roadway may expose humans and other animals to high-frequency currents which may pose health and safety concerns.

SUMMARY

In accordance with the present disclosure, the disadvantages and problems associated with prior systems and methods for powering a vehicle have been substantially reduced or eliminated.

In accordance with embodiments of the present disclosure, a powering assembly may include a carrier having one or more structural elements, an axle coupled to the carrier, a wheel coupled to the axle and configured to rotate about the axle in a plane substantially perpendicular to an axis of the axle, and a substantially linear rod mechanically coupled to the carrier such that the longitudinal axis of the rod is perpendicular to the axis of the axle. A first secondary coil winding may be affixed to the wheel and configured such that when the wheel is proximate to an embedded conductor embedded in a roadway and carrying a first electrical current, a magnetic field induced by the first electrical current induces a second electrical current in the first secondary coil winding. A second secondary coil winding may be affixed to the rod and configured such that when the rod is proximate to the embedded conductor, a magnetic field induced by the first electrical current induces a third electrical current in the second secondary coil winding.

In accordance with additional embodiments of the present disclosure, a vehicle may include a chassis and powering assembly mechanically coupled to the chassis, the powering assembly. The powering assembly may include a carrier having one or more structural elements, an axle coupled to the carrier, a wheel coupled to the axle and configured to rotate about the axle in a plane substantially perpendicular to an axis of the axle, and a substantially linear rod mechanically coupled to the carrier such that the longitudinal axis of the rod is perpendicular to the axis of the axle. A first secondary coil winding may be affixed to the wheel and configured such that when the wheel is proximate to an embedded conductor embedded in a roadway and carrying a first electrical current, a magnetic field induced by the first electrical

current induces a second electrical current in the first secondary coil winding. A second secondary coil winding may be affixed to the rod and configured such that when the rod is proximate to the embedded conductor, a magnetic field induced by the first electrical current induces a third electrical current in the second secondary
5 coil winding.

In accordance with further embodiments of the present disclosure, a powering assembly may a carrier having one or more structural elements, an axle coupled to the carrier, a wheel coupled to the axle and configured to rotate about the axle in a plane substantially perpendicular to an axis of the axle and substantially linear rod
10 mechanically coupled to the carrier such that the longitudinal axis of the rod is perpendicular to the axis of the axle. A secondary coil winding may be affixed to the rod and configured such that when the rod is proximate to an embedded conductor embedded in a roadway and carrying a first electrical current, a magnetic field induced by the first electrical current induces a second electrical current in the
15 secondary coil winding.

BRIEF DESCRIPTION OF THE DRAWINGS

For a more complete understanding of the present invention and its advantages, reference is now made to the following description taken in conjunction with the accompanying drawings, in which:

20 FIGURE 1 illustrates a vehicle with a powering assembly and a roadway for providing an electric current for induction powering, in accordance with embodiments of the present disclosure;

FIGURES 2A-2D illustrate selected components of a powering assembly and a roadway, in accordance with embodiments of the present disclosure;

25 FIGURES 3A and 3B depict a cross-sectional elevation view of an example of one embodiment for providing dual-mode electrical characteristics for a surface of roadway;

FIGURE 4 depicts a block diagram of an example control unit, in accordance with embodiments of the present disclosure;

30 FIGURE 5 depicts a block diagram of a conventional gasoline-powered vehicle adapted with a conversion kit to allow for powering of the vehicle via a

roadway-embedded conductor, in accordance with embodiments of the present disclosure;

FIGURES 6A and 6B illustrate selected components of an alternative embodiment of a powering assembly, in accordance with embodiments of the present disclosure; and

FIGURES 7A and 7B illustrate selected components of another alternative embodiment of a powering assembly, in accordance with embodiments of the present disclosure.

DETAILED DESCRIPTION

FIGURE 1 illustrates a vehicle 100 with a powering assembly 102, in accordance with particular embodiments of the present disclosure. Although vehicle 100 depicted in FIGURE 1 is a passenger automobile, vehicle 100 may broadly represent any system, device, or apparatus configured or used to transport persons and/or cargo in whole or in part on land, including without limitation a passenger automobile (e.g., a car, truck, sport utility vehicle, van, bus, motorcycle, coach, etc.), a train, a trolley, an aircraft, a spacecraft, an amphibious watercraft, industrial equipment (e.g., a forklift, cart, etc.), and/or any other suitable vehicle. As depicted in FIGURE 1, vehicle 100 may include powering assembly 102. Powering assembly 102 may comprise a system, device, or apparatus configured to generate electrical energy via magnetic induction, and transmit such generated energy to one or more energy storage devices 122 (e.g., one or more rechargeable batteries and/or supercapacitors) disposed in and/or affixed to vehicle 100, and/or transmit such generated energy to a drive system 124 of vehicle 100 (e.g., one or more components, including without limitation an engine, a motor, a drive train, axles, pulleys, and wheels, configured to convert electrical and/or chemical energy into mechanical energy to propel vehicle 100). Example structure, function, and selected components of powering assembly 102 are described in greater detail below with respect to FIGURES 2A-2C and 3.

To generate electric energy via magnetic induction, powering assembly 102 may be configured to travel upon a roadway 114 having an embedded conductor 116. Although roadway 114 is depicted in FIGURE 1 as a roadway adapted for use by passenger automobiles, roadway 114 may broadly represent any roadway configured

for use by any vehicle, including without limitation a road, street, freeway, highway, bridge, runway, tarmac, rail, dock, warehouse floor, building hallway floor, and/or any other suitable surface upon which a vehicle 100 may travel. Embedded conductor 116 may be embedded beneath the surface of roadway 114 and may include any material suitable for conducting an electric current. In addition, embedded conductor 116 may be electrically coupled to a power source configured to generate an electric current in embedded conductor 116. Example structure, function, and selected components of roadway 114 are described in greater detail below with respect to FIGURES 2A-2D.

As shown in FIGURE 1, and in greater detail in FIGURES 2A-2C, powering assembly 102 may include wheel assembly 104, axle 106, and one or more arms 108. As described in greater detail below with respect to FIGURES 2A-2C, wheel assembly 104 may include one or more coil windings (e.g., coils 212 depicted in FIGURES 2A-2C) electrically coupled to energy storage device 122, drive system 124, and/or other components of vehicle 100 and may be configured to rotate about axle 106 and proximate to embedded conductor 116 such that the one or more of the coil windings cut through a magnetic field generated by an electrical current in embedded conductor 116, thus inducing an electrical current in the one or more coil windings which may recharge energy storage device 122 and/or provide energy to drive system 124 for operation of vehicle 100. In addition or alternatively, such coil windings may be configured to receive electrical energy from embedded conductor 116 via electric conduction via roadway 114, as described in greater detail below.

Axle 106 may comprise any suitable shaft for wheel assembly 104. Axle 106 may be configured with appropriate bearings, bushings, and mounting points for wheel assembly 104 such that, during rotation of wheel assembly 104, axle 106 may remain in a substantially fixed position relative to wheel assembly 104.

An arm 108 may include any suitable structural member configured to mechanically couple powering assembly 102 to the remainder of vehicle 100 (e.g., the frame or chassis of the vehicle). For example, in the embodiment depicted in FIGURE 1, an arm 108 may be coupled to a rear axle of vehicle 100 via a bearing, bolt, fastener, and/or other suitable manner. In other embodiments, arm 108 may be coupled at one end to the undercarriage or other appropriate point of vehicle 100 via a bearing, bolt, fastener, weld, and/or other suitable manner. In addition, arm 108 may

be coupled at another end to axle 106 via a bearing, bolt, fastener, weld, and/or other suitable manner thus mechanically coupling powering assembly 102 to the remainder of vehicle 100 in a desired manner.

Energy storage device 122 may be electrically coupled to powering assembly
5 102 and one or more other components of vehicle 100 and may include any device that may store potential energy which may be utilized to operate vehicle 100 and is capable of receiving and storing energy generated via magnetic induction by powering assembly 102. For example, energy storage device 122 may include a rechargeable electrochemical battery, a fuel cell, a flywheel, hydraulic accumulator,
10 mechanical spring, supercapacitor, and/or any other element operable to store potential energy.

Drive system 124 may be electrically coupled to energy storage device 122 and/or powering assembly 102, and may include any collection of components and devices that, in the aggregate, convert electrical energy provided by energy storage
15 device 122 and/or powering assembly 102, and/or chemical energy provided by a fuel (e.g., gasoline, ethanol, etc.) into mechanical energy for propelling vehicle 100. For example, drive system 124 may include one or more engines, motors, pulleys, belts, drivetrains, axles, wheels, and/or other suitable devices. In addition, although drive system 124 is generically depicted as being present in a particular part of vehicle 100
20 for purposes of clarity and simplicity of exposition, it is noted that components of drive system 124 may be located throughout vehicle 100.

Control system 126 may be electrically and/or communicatively coupled to drive system 124, energy storage device 122, powering assembly 102 (or components thereof), and/or one or more other components of vehicle 100 and may generally be
25 operable to based on signals received from one or more components of vehicle 100, communicate control signals to one or more components of vehicle 100 to control operation of such one or more components and/or communicate signals to an operator of vehicle 100 (e.g., via a user interface in a cabin of vehicle 100).

As shown in FIGURE 1, roadway 114 may include embedded conductor 116.
30 Embedded conductor 116 may comprise any material suitable for conducting an electrical current, including without limitation copper, aluminum, superconductor material (e.g., doped copper oxide), and/or other suitable material. In some

embodiments, embedded conductor 116 may include a one or more coil windings of conductive material (e.g., coil windings 266 depicted in FIGURES 2A and 2B) oriented in any suitable fashion such that embedded conductor 116 generates a magnetic field above the surface of roadway 114. In some embodiments, the one or
5 more coil windings may be wound around a ferromagnetic material (e.g., iron) to improve magnetic flux of the generated magnetic field. In some embodiments, embedded conductor 116 may be embedded below the surface of roadway 114 such that the surface of roadway 114 may provide dielectric insulation from embedded
10 conductor 116 in order to reduce or eliminate hazard created if embedded conductor 116 were otherwise exposed. In these and other embodiments, the protective layer the surface of roadway 114 above embedded conductor may have electrically conductive, or dual-mode electrically insulative/electrically conductive properties, so as to, in addition or alternative to created a magnetic flux for inductive powering of a vehicle
15 100 upon roadway 114, embedded conductor 116 may also conduct electrical energy to vehicle 100 through roadway 114, as described in greater detail below.

In order to carry an electrical current embedded conductor 116 may be electrically coupled to a source of electromagnetic energy (e.g., a power plant, a generating station, and/or other suitable source). The electric current driven to
20 embedded conductor 116 may be direct current or alternating current. In some embodiments, in order to increase the magnetic flux generated by embedded conductor 116 (and thus, the magnetically-induced current in windings of wheel assembly 104), the electric current driven in embedded conductor 116 may be an alternating current operating at a high frequency (e.g., 240Hz - 400Hz, compared to
25 60Hz commonly available from power plants and generating stations for residential and commercial use). Accordingly, in such embodiments, a frequency converter may be inserted between publically-available source of energy and embedded conductor 116 in order to provide for such increased frequency, as described in greater detail below.

In some embodiments, embedded conductor 116 may include or be part of an
30 electromagnetic strip comprising a series of inductive coils, as described in greater detail below. Such series of inductive coils may be wound around a ferromagnetic material (e.g., iron) and/or encased in an electrically insulated material (e.g., plastic or

rubber) that may be embedded into roadway 114. In these and other embodiments, the electromagnetic strip may be constructed to be flexible, so to permit handling and transportation on cable spools or a similar package. During application, the electromagnetic strip may be laid into a slot or channel created in roadway 114.

5 FIGURES 2A-2D illustrate selected components of powering assembly 102 and roadway 114, in accordance with particular embodiments of the present disclosure. FIGURE 2A depicts an elevation view of powering assembly 102 and roadway 114, FIGURE 2B depicts a cut-away perspective view of powering assembly 102 and roadway 114, FIGURE 2C depicts an exploded view of powering assembly
10 102, and FIGURE 2D depicts a cut-away perspective view of roadway 114.

As shown in FIGURES 2A and 2B, a channel 264 may be created in roadway 114, and embedded conductor 116 may be laid in such channel 264. Embedded conductor 116 may comprise a flexible electromagnetic strip, including a coil of conductive material 266 (e.g., wire constructed from copper, aluminum, or other
15 conductive material) wrapped (e.g., in loops or turns) about a magnetic core 262 of ferromagnetic or ferrimagnetic material (e.g., iron, ferrite, iron silicide, etc.). In certain embodiments, flexibility of the flexible electromagnetic strip may be sufficient to permit handling and transportation by and on standard cable spools. As described below, segments 272 of embedded conductor 116 may be coupled to one or more
20 switches (e.g., switch 404) to allow for individual powering of portions of embedded conductor 116. During construction of roadway 114, the electromagnetic strip of embedded conductor 116 may be laid into channel 264. After the strip is laid into channel 264, coil 266 may be electrically coupled to a source of electrical energy, such that embedded conductor 116 conducts electrical energy and generates a
25 magnetic flux. A layer of protective asphalt or pavement may be applied on top of the electromagnetic strip, such as layer 268 depicted in FIGURE 1. In the case of resurfacing of roadway 114, the electromagnetic strip may be extracted and reburied at the desired distance from the new surface. In some embodiments, the protective layer (e.g., layer 268) may have ferromagnetic properties (e.g., the asphalt or
30 pavement comprising layer 268 may include particles of ferromagnetic material such as iron, for example). The presence of ferromagnetic properties in the protective layer may serve to increase magnetic flux generated above roadway 114 by electric current

flowing in embedded conductor 116. In the same or alternative embodiments, channel 264 may be configured to optimize magnetic flux generated above roadway 114 by embedded conductor 116. For example, in some embodiments, channel 264 may be lined with a metallic material (e.g., aluminum, specially-designed materials with a wavelength corresponding to that of an electromagnetic wave present in embedded conductor 116, a Halbach array for creating a one-sided flux distribution, etc.). As so configured, such metallic material may serve to direct magnetic flux from channel 264 to above the surface of roadway 114. Alternatively or in addition, geometry of channel 264 may be configured to optimize magnetic flux. For example, channel 264 may have a parabolic shape which may also serve to direct magnetic flux from channel 264 to above the surface of roadway 114.

In some embodiments, a surface of roadway 114 substantially above embedded conductor 116 (e.g., layer 268), may include or be coated with one or materials to further guide magnetic flux lines and/or reduce random dispersion of the magnetic flux lines. For example, in such embodiments, a paint or other covering having ferromagnetic or ferrimagnetic properties may be applied to the surface of roadway 114 in the form of a strip substantially immediately above embedded conductor 116.

As described above, energy may be transferred from embedded conductor 116 to wheel assembly 104 via magnetic induction. However, in other embodiments, wheel assembly 104 and roadway 114 may be adapted to transfer energy via electric conduction. In such embodiments, the protective layer (e.g., layer 268) may have electrically insulative, electrically conductive, or dual-mode electrically insulative/electrically conductive properties. In many instances, it may be desirable that protective layer be electrically insulative, such that embedded conductor 116 does not become an electrical shock hazard to people and animals present on the surface of roadway 114. However, on the other hand, it may be beneficial that the protective later have conductive properties allowing electrical energy to be conducted from embedded conductor 116 to vehicle 100, to increase transfer of energy between embedded conductor 116 and vehicle 100. In order to provide desired safety, while allowing for conduction of electrical energy between embedded conductor 116 and vehicle 100, layer 268 may be formed with a system and/or material allowing it to

have dual-mode electrical characteristics such that a portion of it may conduct electrical energy from embedded conductor 116 when a vehicle 100 is proximate to such portion, and may not conduct electrical energy from embedded conductor 116 when a vehicle 100 is not proximate to such portion. Any suitable implementation of such dual-mode electrical characteristics may be employed. An example of a roadway 114 with such dual-mode characteristics is depicted in FIGURES 3A and 3B.

FIGURES 3A and 3B depict a cross-sectional elevation view of an example of one embodiment for providing dual-mode electrical characteristics for a surface of roadway 114, in accordance with embodiments of the present disclosure. As shown in FIGURES 3A and 3B, layer 268 may comprise a strip of electrically conductive material (e.g., aluminum, copper, etc.) placed upon a layer of electrically insulative material 302 (e.g., air), wherein such layer of electrically insulative layer is placed upon embedded conductor 116. In some embodiments, electrically insulative layer 302 may have magnetic properties and thus may include within it include particles of magnetic and electrically conductive material 304 (e.g., iron, iron silicide, and/or another ferromagnetic or ferrimagnetic material), such that in the presence of a magnetic field, particles 304 may form an electrically conductive path, as shown in FIGURE 3B. FIGURES 3A and 3B depicts a cross-sectional elevation view of an example of such embodiments. Accordingly, in the absence of a magnetic field, particles 304 may collect (e.g., due to gravity) the bottom of electrically insulative layer 302, as shown in FIGURE 3A. On the other hand, in the presence of a magnetic field, particles 304 may form one or more conductive paths between embedded conductor 116 and layer 268. The magnetic field inducing alignment of particles 104 in a particular portion of roadway 114 to form one or more conductive paths may be present when a vehicle 100 is proximate to such particular portion. For example, wheel assembly 104 of a vehicle may include a permanent magnet and/or electrical components for producing an induced electromagnetic field capable of aligning particles 304 to complete a path between embedded conductor and layer 268 in portions of roadway 114, so that the surface of roadway 114 conducts electricity as wheel assembly 104 passes over or near such sections. As another example, as described below, each of individual segments of embedded conductor 116 may be

configured to conduct electrical energy when a vehicle 100 is proximate (as determined by sensors present in roadway 114), and interrupt the flow of current when a vehicle 100 is not proximate to the segment. In such embodiments, the magnetic field induced by embedded conductor 116 while enabled in response to vehicle proximity may align particles 304 to complete a path between embedded conductor and layer 268.

In addition or alternatively to the embodiment depicted in FIGURES 3A and 3B, layer 268 may include one or more materials that have dual-mode properties in which they may behave as an electrical insulator, but experience a reduction in electrical resistance or behave as an electrical conductor in the presence of magnetic and/or electrical fields. Examples of such dual-mode materials may include, without limitation, topological insulator nano-ribbon and cross-correlated manganese oxide exhibiting a magnetoresistance effect. Layer 268 comprising such dual-mode material may be placed over embedded conductor 116. In embodiments in which energy is transferred between roadway 114 and wheel assembly via electric conduction, wheel assembly 104 may, as described above, provide a magnetic field such that portions of layer 268 may change from insulative to conductive in presence of the magnetic field, thus allowing such portions to conduct electrical energy to wheel assembly 104 as wheel assembly 104 passes over or near such portions of layer 268.

In some embodiments, embedded conductor 116 may be divided into multiple, individually powered segments 272, as depicted in FIGURE 2D. Also as shown in FIGURE 2D, roadway 114 may also have installed therein control units 276 associated with each segment 272, and conductors 274 coupled from a source of electrical energy (e.g., a publicly available power source) to corresponding segments 272 and control units 276. Conductors 274 may be disposed under the surface of roadway 114 and may comprise any suitable wire, cable, or strip of conductive material configured to conduct electrical energy from a source of electrical energy (e.g., a publically available power source in the form of overhead or underground transmission lines) to a corresponding segment 272 and control unit 276.

A control unit 276 may be electrically coupled to one or more corresponding conductors 274 and one or more corresponding segments 272, and may include any

system, device, or apparatus configured to switch one or more corresponding segments 272 between powered states (e.g., powered or unpowered). FIGURE 4 depicts a block diagram of an example control unit 276, in accordance with embodiments of the present disclosure. As shown in FIGURE 4, control unit 276 may include a proximity detector 402, a switch 404, and a tuning capacitor 406. Proximity detector 402 may include any system, device, or apparatus configured to detect proximity of a vehicle 100 enabled to receive inductive or conductive electrical energy from embedded conductor 116. For example, in some embodiments, proximity detector 402 may include a radio frequency identification (RFID) receiver configured to receive one or more signals from one or more RFID transmitters disposed in a vehicle 100. As a specific example, in one embodiment a single RFID transmitter may be disposed in certain vehicles 100, and proximity detector 402 may detect the presence of a vehicle 100 by receiving appropriate signals from the single RFID transmitter. As another specific example, in another embodiment, two RFID transmitters may be disposed at opposite ends (e.g., front and rear) of certain vehicles 100, and proximity detector 402 may detect signals from the first RFID transmitter to indicate a vehicle 100 becoming proximate to a segment 272, and detect signals from the second RFID transmitter to indicate the same vehicle leaving proximity of the segment 272. In addition to RFID proximity sensing, proximity sensor 402 may utilize any other suitable detection approach, including optical, electrical, magnetic, acoustical (e.g., Doppler effect), and/or others.

Switch 404 may include any system, device, or apparatus configured to alternatively break an electrical circuit (thus interrupting the current flowing in the circuit) and complete an electrical circuit (thus allowing for current to flow in the circuit), based on a control signal received from proximity detector 402. In some embodiments, switch 404 may be implemented by one or more transistors in a transmission gate configuration. Accordingly, during operation, when a vehicle 100 is proximate to control unit 276, proximity detector 402 may detect such proximity and cause switch 404 to close, such that electrical current flows into a segment 272 corresponding to the control unit. Conversely, when proximity detector 402 does not detect proximity of a vehicle 100, it may cause switch 404 to open, such that flow of electrical current is interrupted to the corresponding segment. Thus, to conserve

energy, segments 272 of embedded conductor 116 may each remain in an unpowered state until such time as proximity sensor 402 within a control unit 272 corresponding to a particular segment 272 detects a vehicle 100, at which point the particular segment 272 may power on to provide energy to vehicle 100 in the form of induction and/or conduction.

Control unit 276 may also include one or more tuning capacitors 406 configured to be, when switch 404 is closed, in series with a coil 262 of a segment 272 corresponding to control unit 276. Accordingly, tuning capacitor 406 may provide tuning such that the capacitance of tuning capacitor 406 and the inductance of the corresponding coil 262 generate an inductive-capacitance resonance. Such resonance may be beneficial for inductive powering of a vehicle 100, as the presence of tuning capacitor 406 may tune the frequency of an electromagnetic wave in coil 262 to a desired frequency and/or minimizing an impedance at a particular frequency (e.g., a resonance frequency).

Turning again to FIGURE 2D, roadway 114 may also include one or more solar power generators 280, thermoelectric power generators 282, piezoelectric power generators 284, and/or other “alternative” energy power generators. As shown in FIGURE 2D, one or more of solar power generator 280, thermoelectric power generator 282, and piezoelectric power generator 284 may be electrically coupled to one or more segments 272 of embedded conductor 116 (e.g., via conductors 274) such that electrical energy generated by one or more of solar power generator 280, thermoelectric power generator 282, and piezoelectric power generator 284 may be transferred to embedded conductor 116, so as to provide electrical energy for induction and/or conduction of electrical energy from embedded conductor to vehicle 100. A solar power generator 280 may include any system, device, or apparatus configured to convert photonic energy (e.g., from the sun and/or vehicle headlights) received by or otherwise impinging solar power generator 280 into electrical energy in the form of an electrical current. For example, in some embodiments solar power generator 280 may include a photovoltaic panel, film, and/or paint placed upon the surface of roadway 114. For example, in the case of a film and/or paint, a two-layer solar cell made of light-absorbing nanoparticles known as quantum dots may be applied to roadway 114 in order to produce solar power generator 280. Such quantum

dots may be tuned to absorb different parts of the solar spectrum by varying their size. In these and other embodiments, solar power generator 280 may also include any system, device, or apparatus configured to convert a magnetic field present in photonic energy into electrical energy using optically-induced charge separation and
5 terahertz emission in unbiased dielectrics. In such embodiments, the magnetic field of photonic energy may, in certain materials, affect electron motion in certain materials such that a magnetic dipole is created in the material. By suitably aligning the dipoles in a substantially long fiber, strip, or strand of material, and places such fiber, strip, or strand on a surface of roadway 114, the fiber, strip, or strand of material may generate
10 a substantial electrical potential to provide electrical energy to embedded conductor 116.

A thermoelectric power generator 282 may be embedded within roadway 114 as shown in FIGURE 2D, and may include any system, device, or apparatus configured to convert, using the thermoelectric effect known in the art, thermal energy
15 present in portions roadway 114 proximate to thermoelectric power generator 282 into electrical energy in the form of an electrical current. Thermoelectrical power generator 282 may include any suitable material capable of generating electrical current in accordance with the thermoelectric effect, including, without limitation: materials composed of tellurium, antimony, germanium, and silver (TAGS) (including
20 TAGS doped with cerium or ytterbium); skutterudites; and/or lead telluride having nanocrystals of rock salt (SeTe) placed therein.

A piezoelectric power generator 284 may be embedded within roadway 114 as shown in FIGURE 2D, and may include any system, device, or apparatus configured to convert vibrational energy present in roadway 114 (e.g., caused by motion of
25 vehicles on roadway 114) into electrical energy in the form of current.

Electrical energy generated by solar power generator 280, thermoelectric power generator 282, and/or piezoelectric power generator 284 may be, in some embodiments, delivered to embedded conductor 116 in the form of an electrical current, such that the electrical current may transfer energy to a vehicle 100 via
30 induction or conduction. In addition or alternatively, electrical energy generated by solar power generator 280, thermoelectric power generator 282, and/or piezoelectric power generator 284 may be, in some embodiments, delivered to a public provider of

electrical energy (e.g., via a publicly available electrical energy distribution grid) and/or one or more other destinations such that such electrical energy is ultimately consumed by an entity other than vehicles 100 traveling on roadway 114.

As shown in FIGURES 2A-2C, wheel assembly 104 may include one or more
5 coils 212 of conductive material (e.g, wire constructed from copper, aluminum, or other conductive material) each wrapped (e.g., in loops or turns) about a magnetic core 214 of ferromagnetic or ferrimagnetic material (e.g., iron, ferrite, iron silicide, etc.). For example, in the example embodiment shown in FIGURES 2A-2C, wheel assembly 104 includes 12 coils 212 each wrapped about magnetic core 214. Each end
10 of each coil 212 may be electrically coupled to a segment of a segmented-ring commutator 218. In the embodiment depicted in FIGURES 2A-2C, one end of each coil 212 may be in contact with a segment 219 of a first commutator 218 while the other end of each coil is in contact with a segment 219 of second commutator placed opposite to the first commutator 218 within wheel assembly 104. Wheel assembly
15 104 may include a holder 216 configured to mechanically and electrically coupled coils to commutator 218 using appropriate bolts, screws, and/or other fasteners.

Wheel assembly 104 may also include tire 220. Tire 220 may comprise any circular-shaped covering (e.g., a rubber tire) that fits around other components of wheel assembly 104 (e.g., coils 212) protect other components of wheel assembly 104
20 and provide a flexible cushion that absorbs shock while maintaining contact with a roadway (e.g., roadway 114). In embodiments in which energy is transferred from roadway 114 to wheel assembly 104 via electric conduction, tire 220 may be formed of one or more materials having electrically conductive properties, while still having mechanical elasticity (e.g., an elastic polymer having electrically conductive
25 properties), thus allowing tire 220 to conduct electrical energy from a surface of roadway 114 to energy storage device 122 and/or drive system 124 (as described in greater detail below) while maintaining elasticity comparable to that of a traditional rubber tire.

In some embodiments (not explicitly shown), wheel assembly 104 may,
30 instead of being implemented as a wheel separate from those wheels of vehicle 100 intended to provide drive and/or steering to the vehicle (e.g., the standard, traditional four tires of a conventional highway vehicle), wheel assembly 104 may be

implemented as or part of one or more wheels of vehicle 100 that provide drive and/or steering to vehicle 100.

In addition to other components described above, powering assembly 102 may include one or more brushes 220, brush holders 224, brush holder brackets 222, fasteners 226, 228, magnetic sensors 204, worm gears 244, and bearings 208. Brushes 220 may comprise electrically conductive material (e.g., copper, aluminum, carbon, etc.) and may be configured to permit conduction of magnetically-induced current and electrically conducted current in coils 212 from segments of commutator 218 to other components of vehicle 100 (e.g., energy storage device 122 and/or drive system 124). During operation of powering assembly 102, it may be desirable that brushes 220 remain in physical contact with commutator 218, to ensure electrical conductivity between coils 212 and other components of vehicle 100. Accordingly, each brush 220 may be mechanically coupled to a brush holder 224 configured to cause its corresponding brush 220 to maintain in contact with commutator 218. Brush holders 224 may be maintained in place by one or more brush holder brackets 222 and fasteners 226 and 228. A fastener 226, 228 may include any suitable bearing, bolt, and/or other fastener. A bracket 222 may be any structural member configured to, in connection with fasteners 226, 228 maintain brush holders 224 and/or brushes 220 at a desired position relative to other components of powering assembly 102.

Magnetic sensor 204 may be mechanically mounted to axle 106 or any other suitable component of powering assembly 102 and may include any system, device, or apparatus configured to sense the presence and intensity of a magnetic field (e.g., a magnetic field generated by embedded conductor 116). Magnetic sensor 204 may be implemented as a Hall effect sensor or any other suitable type of sensor. Magnetic sensor 204 may be electrically coupled to motor 217, such that magnetic sensor 204 may communicate a signal to motor 217 indicative of the intensity of a detected magnetic field.

Motor 217 may be mechanically coupled to wheel assembly 104 via worm gear 244 and, based on signals received from magnetic sensor 204 indicative of a magnetic field intensity, motor 217 may engage with worm gear 244 so as to cause wheel assembly 104 to move in a lateral direction along axle 106 (e.g., in a direction parallel to the axis of axle 106). Such movement may be performed in order to align

wheel assembly 104 with embedded conductor 116, in order to cause wheel assembly 104 to rotate in a position where magnetic field strength produced by embedded conductor 116 is the greatest. In some embodiments, lateral translation of wheel assembly 104 by motor 217 and worm gear 244 may be limited by bearings 208
5 mechanically coupled to axle 108.

In these and other embodiments, magnetic sensor 204 may also sense the presence of intensity of a magnetic field so as to determine whether vehicle 100 is on or near a roadway (e.g., roadway 114) having an embedded conductor 116 capable of generating inductive or conductive electrical energy. Accordingly, in such
10 embodiments, one or more arms 108 and/or other components of vehicle 100 may be configured to, after detecting a magnetic field of minimum intensity by magnetic sensor 204, lower wheel assembly 104 so that tire 220 of wheel assembly makes frictional contact with roadway 114. In addition or alternatively, after detecting a magnetic field of minimum intensity by magnetic sensor 204, magnetic sensor 204
15 may communicate a signal to an operator of vehicle 100 (e.g., via control system 126) indicating proximity to an energized roadway 114, and such operator may (e.g., via a user interface in the cabin of vehicle 100) cause wheel assembly 104 to lower. Once lowered, magnetic sensor 204, in connection with motor 217 and worm gear 244, laterally translate wheel assembly 104 such that wheel assembly 104 remains
20 proximate to embedded conductor 116. Upon leaving an energized roadway 114, one or more arms 108 and/or other components of vehicle 100 may be configured to, after detecting a magnetic field intensity below a minimum intensity by magnetic sensor 204, raise wheel assembly 104 from the surface roadway 114. In addition or alternatively, after detecting a magnetic field below a minimum intensity by magnetic
25 sensor 204, magnetic sensor 204 may communicate a signal to an operator of vehicle 100 (e.g., via control system 126) indicating vehicle is no longer in proximity to an energized roadway 114, and such operator may (e.g., via a user interface in the cabin of vehicle 100) cause wheel assembly 104 to raise.

In some embodiments, magnetic sensor 204 may also communicate one or
30 more signals to control system 126 and/or an operator of vehicle 100 indicating that, based on the position of magnetic sensor 204 relative to embedded conductor 116, vehicle 100 may be in danger of leaving roadway 114 and/or a current lane of travel

of vehicle 100. Such a situation may occur is an operator is falling asleep, has his/her attention diverted from the road, and/or is otherwise failing to maintain a vehicle 100 on roadway 114 or the present lane of travel. Thus, in response, an operator may manually respond to the alert by correcting (e.g., via a steering wheel in the cabin of
5 vehicle 100) the detected deviation and/or control system 126 may automatically communicate signals to drive system 124 and/or other components of vehicle 100 to steer and/or alter the velocity of vehicle 100 in order to correct the detected deviation. Thus, magnetic sensor 204, control system 126, and/or other components of vehicle 100 may operate in concert to reduce the occurrence of vehicular accidents.

10 In operation, wheel assembly 104 may rotate about axle 108 due to friction of tire 220 against roadway 114 while vehicle 100 is in motion. As wheel assembly 104 passes across the surface of roadway 114, coils 212 may intersect perpendicularly with imaginary field lines of magnetic flux generated by embedded conductor 116, thereby inducing an electrical current at each end of coils 212. The induced electric
15 current in coils 212 may be conducted to other components of vehicle 100 (e.g., via commutator 218, brushes 220, etc.) in order to recharge energy storage device 122, power drive system 124 of vehicle 100, and/or power other components of vehicle 100.

Although FIGURES 1 and 2A-2D depict only a single induction wheel
20 assembly 104 for inductive powering of vehicle 100, in some embodiments, a vehicle 100 may include more than one induction wheel assembly 104. Although FIGURES 2A-2D depict inductive powering of a vehicle via induction wheel assembly 104, in some embodiments induction powering assembly 102 may include other components for inductive transfer of energy from embedded conductor 116 to vehicle 100, such as
25 in the alternative embodiments shown in FIGURES 6 and 7.

FIGURES 6 and 7 each illustrate selected components of an alternative
embodiment of a powering assembly, in accordance with embodiments of the present disclosure. As shown in FIGURE 6, a powering assembly 602 may be coupled to a
vehicle 100 via one or more arms 108. Powering assembly 602 may be similar to
30 powering assembly 102 of FIGURES 1-2D, except that instead of coils 212 wrapped about a circular core 214 in an induction wheel assembly 104, powering assembly 602 may include coils 612 wrapped about a substantially linear core 614 in an induction

rod assembly 604 that may be suspended from a carrier. Powering assembly 602 may be affixed to vehicle 100 such that the longitudinal axis of core 614 is substantially in parallel with the direction of travel of vehicle 100 (e.g., oriented parallel to an imaginary center line traversing from the front of the vehicle to the rear of the vehicle). Such orientation of core 614 may facilitate increased inductive coupling of coils 612 to embedded conductor 116.

Induction powering assembly 602 may include one or more wheels 606 rotatably affixed to a carrier 608 having one or more arms, beams, or other structural members coupled to each other and arms 108. Accordingly, induction powering assembly 602 may be supported during operation by wheels 606 rolling upon roadway 114 while being pulled by vehicle 100. As depicted in FIGURE 6, induction rod assembly 604 may be affixed to carrier 608 via one or more telescoping arms 610. Telescoping arms 610 may include a motor or other actuator (not shown) be configured to extend or retract telescoping arms 610, thus allowing induction rod assembly 604 to be raised or lowered with respect to a surface of roadway 114. Telescoping arms 610 may further be communicatively coupled to a control system (e.g., control system 126) such that telescoping arms 610 may raise or lower induction rod assembly 602 in response to a speed of vehicle 100 and/or any other suitable variables or parameters. In addition, similar to powering assembly 102 of FIGURES 1-2D, powering assembly 602 may include suitable sensors, control systems, and/or mechanical device configured to operate in concert in order to control the lateral position of induction rod assembly 604 relative to embedded conductor 116, so as to increase inductive coupling.

In operation, coils 612 may intersect perpendicularly with imaginary field lines of magnetic flux generated by embedded conductor 116, thereby inducing an electrical current at each end of coils 612. In addition, as rod assembly 604 moves relative to roadway 114, magnetic flux may increase, this increasing induced electrical current.

The induced electric current in coils 612 may be conducted to other components of vehicle 100 (e.g., via one or more electrically conductive components) in order to recharge energy storage device 122, power drive system 124 of vehicle 100, and/or power other components of vehicle 100. Also during operation,

telescoping arms 610 may, in concert with a control system (e.g., control system 126), raise and lower rod assembly 604 relative to roadway 114 as a function of vehicle speed and/or other parameters. For example, telescoping arms 610 may control the height of rod assembly 604 such that the height is inversely proportional to the speed of vehicle 100. Accordingly, at low speeds or while stopped, road assembly 604 may be placed closer to the surface of roadway 114 as compared to higher speeds. Thus, the reduced flux caused by vehicle 100 being stopped or driving at low speeds may be offset by the increased flux resulting from a greater proximity between coils 612 and embedded conductor 116. In addition, at increased speeds, rod assembly 106 may be raised so as to reduce the likelihood of damage from hazards upon roadway 114 or from physical contact between rod assembly 604 and roadway 114 caused by undulation of vehicle 100 and/or powering assembly 102.

In the example embodiment of FIGURE 7, a powering assembly 702 may combine the induction wheel assembly 104 of FIGURES 1-2D and the rod assembly 604 of FIGURE 6. In such embodiment, the wheel of induction wheel assembly 104 may support powering assembly 702 as it is pulled behind vehicle 100, potentially rendering unneeded wheels 606 depicted in FIGURE 6. In the embodiment of FIGURE 7, coils 612 of rod assembly 104 and coils 112 of induction wheel assembly 104 may intersect perpendicularly with imaginary field lines of magnetic flux generated by embedded conductor 116, thereby inducing an electrical current at each end of coils 612 and each end of coils 112. The induced electric current in coils 612 and coils 112 may be conducted to other components of vehicle 100 (e.g., via one or more electrically conductive components) in order to recharge energy storage device 122, power drive system 124 of vehicle 100, and/or power other components of vehicle 100. As in FIGURE 6, telescoping arms 610 may, in concert with a control system (e.g., control system 126), raise and lower rod assembly 604 relative to roadway 114 as a function of vehicle speed and/or other parameters.

In addition or alternatively to receiving energy via induction from embedded conductor 116, wheel assembly 104 may receive energy via conduction from embedded conductor 116. In embodiments supporting conduction from embedded conductor 116 via wheel assembly 104, wheel assembly 104 may include a tire 220 or covering having electrically conductive properties, thereby allowing conduction of

electrical energy from a surface of the tire 220 or other covering to conductive components of wheel assembly 104 (e.g., commutator 218, brushes 220). Also as described above, layer 268 above embedded conductor 116 may, in some embodiments, be configured such that portions of layer 268 conduct electrical energy from embedded conductor 116 to wheel assembly 104 as wheel assembly 104 passes over or near such sections. Thus, electrical energy may be conducted from embedded conductor 116 to wheel assembly 104 and conducted from wheel assembly 104 to other components of vehicle 100 (e.g., via commutator 218, brushes 220, etc.) in order to recharge energy storage device 122, power drive system 124 of vehicle 100, and/or power other components of vehicle 100.

In certain embodiments, conductive materials present in vehicle 100 and roadway 114 (e.g., coils 212, tires 220, embedded conductor 116, conductors 272, etc.), may be configured to transmit communication signals, in addition to transmission of electrical energy for powering of vehicles 100. For example, communications packets or frames (generally referred to herein as “datagrams”) of any suitable communication standard or protocol may be multiplexed into conductors 272 in accordance with any approach that may be presently of in the future known. Thus, a control system 126 of a first vehicle 100 may be capable of generating and transmitting (e.g., via tire 220 and/or other electrically conductive components) signals to embedded conductor 116. Embedded conductor 116 may further communicate such signals to a second vehicle 100 (e.g., via tire 220 and/or other conductive components of the second vehicle 100) and/or another destination (e.g., via conductors 272). In addition or alternatively, vehicles 100 may also receive signals communicated from a source other than another vehicle 100 (e.g., via conductors 272). Such communication of signals may have many numerous applications. For example, signals communicated between vehicles 100 may serve to alert control systems 126 of vehicles as to the proximity of vehicles 100 to each other, so as to avoid collisions or permit the introduction or autonomous or “driverless” cars that are able to safely travel over roadways without collisions based on signals communicated between vehicles 100 indicative of the proximity of vehicles to each other. As another example, vehicles 100 may transmit information to a remote computing device, which may record such information in order to meter use of a

roadway 114 (e.g., for the purposes of collecting tolls or use-based taxes for use of roadway 114), study traffic density and/or congestion, and/or for other suitable uses. As a further example, vehicles may receive information from a remote computing device which may be displayed to an operator via a user interface in the cabin of vehicle 100, wherein the user interface may display information regarding traffic congestion, roadway construction, detours, navigation and/or map information (e.g., similar to that displayed in traditional GPS navigation devices), and/or other suitable information.

FIGURE 5 depicts a block diagram of a conventional gasoline-powered vehicle 500 adapted with a conversion kit to allow for powering of the vehicle via a roadway-embedded conductor, in accordance with embodiments of the present disclosure. As is known in the art, a conventional gasoline-powered vehicle may include a number of components, including without limitation, one or more pulleys 501, one or more belts 502, an alternator 503, one or more belt drives 505, an internal combustion engine 506, an air conditioning system 507, a hydraulic pump 508, a transmission 514, wheels 515-518, an accelerator pedal 520, a drive train 521, and one or more lights 527. Because the characteristics and functionality of such components are well known in the art, their characteristics and functionality are not set forth in detail in this disclosure. For purposes of clarity and exposition, components in FIGURE 5 traditionally found in a conventional combustion engine vehicle have been assigned reference numerals beginning with the numeral 5.

A conversion kit may include any system, device, or apparatus configured to convert an existing conventional combustion engine vehicle into a gas-electrical hybrid vehicle in which electrical energy used to power the vehicle is received, at least in part, by induction and/or conduction from a roadway-embedded conductor (e.g., embedded conductor 116 in roadway 114) via a powering assembly having a wheel assembly (e.g., wheel assembly 104 of powering assembly 102). As shown in FIGURE 5, the conversion kit may include wheel assembly 104, energy storage device 122, clutches 604, 610, 612, electric motor 609, tachometers 611, 613, manual ignition switch 628, and controller 629. For purposes of clarity and exposition, components in FIGURE 5 comprising the conversion kit (other than wheel assembly

104 and energy storage device 122) have been assigned reference numerals beginning with the numeral 6.

Electric motor 609 may be coupled to energy storage device 122, accelerator pedal 520, controller 529, tachometer 611, clutch 610, and/or one or more other
5 components of vehicle 500. Electric motor 609 may be any system, device, or apparatus configured to convert electrical energy (e.g., stored in energy storage device 122) to mechanical energy for driving drive train 521, wheels 515-518 and/or other components of vehicle 500. In some embodiments, electric motor 609 may be installed proximate to drive train 521, parallel to the existent transmission 514.

10 Clutches 604, 610, and 612 may each include any system, device, or apparatus configured to transmit mechanical power from one component (e.g., a motor) to another (e.g., a drive train). In some embodiments, one or more of clutches 604, 610, and 612 may comprise an electromagnetic clutch. As shown in FIGURE 5, electromagnetic clutch 610 may be coupled between electric motor 609 and drive
15 train 521, and electromagnetic clutch 612 may be coupled between transmission 514 and drive train 521. Clutches 610 and 612 may be configured to operate in tandem such that when clutch 610 is engaged, clutch 612 is disengaged, and vice versa. Accordingly, when electric motor 609 is engaged in traction of vehicle 500 via drive train 521 and wheels 515-518, clutch 612 may disengage internal combustion engine
20 506, and vice versa.

Clutch 604 may be mounted on or near a main pulley shaft of internal combustion engine 506, and may be configured to disengage pulley drive 505 from internal combustion engine 506 when electric motor 609 is engaged with and internal combustion engine 506 is disengaged from drive train 521, rendering pulley drive 505
25 in a free motion state. In addition, clutch 604 may be configured to engage pulley drive 505 when combustion engine 506 is engaged with drive train 521. Substantially contemporaneously with the engaging of electric motor 609 with and disengaging of internal combustion engine 506 from drive train 521, alternator 503 may assume the function of an electric motor (e.g., powered from energy storage device 122 and/or
30 induction powering assembly 102) to drive belt 502 to generate functionality of auxiliary equipment including air conditioning system 507, hydraulic pump 508, and/or other components.

As shown in FIGURE 5, accelerator pedal 520 may be communicatively coupled to electric motor 609, such that depression of accelerator pedal 520 may regulate the speed of electric motor 609, and accordingly, speed of vehicle 500.

In addition, as shown in FIGURE 5, electric motor 609 may be coupled to and
5 may receive electrical energy in the form of an electric current from energy storage device 122. As described in greater detail above, energy storage device 122 may be charged via electrical energy received by conduction and/or induction via wheel assembly 104 from embedded conductor 116. Although not explicitly shown in FIGURE 5, in some embodiments electric motor 609 may receive electrical energy
10 directly from wheel assembly 104.

Tachometers 611 and 613 may be mounted respectively to the shaft of internal combustion engine 506 and the shaft of electric motor 609. Tachometer 611 may be configured to monitor the angular speed of electric motor 609 such that, when vehicle 500 is switched from electric-powered to gasoline-powered mode, internal
15 combustion engine 506 may adjust its angular speed based on the angular speed measured by tachometer 611. Similarly, tachometer 613 may be configured to monitor the angular speed of internal combustion engine 506 such that, when vehicle 500 is switched from gasoline-powered to electric-powered mode, electric motor 609 may adjust its angular speed based on the angular speed measured by tachometer 613.

20 Controller 629 may be any system, device, or apparatus generally configured to receive information from one or more sensors (e.g., tachometers 611, 613, magnetic sensor 204, etc.) and/or control operation of one or more components of vehicle 500. For example, controller 629 may include an RPM monitor 631 configured to receive signals from tachometers 611, 613 indicative of motor speed of
25 electric motor 609 and/or internal combustion engine 506 in order to properly adjust angular speeds of either when switching from one mode of operation to another (e.g., gasoline-powered to electric-powered mode, or vice versa). As another example, controller 629 may include a field indicator 630 configured to receive a signal from magnetic sensor 204 indicative of proximity of induction wheel assembly 104 to an
30 embedded conductor 116 and based on the signal, switch between gasoline-powered mode and electric-powered mode (or vice versa) by actuating automatic ignition switch 632, and/or control alignment of induction wheel assembly with embedded

conductor 116 by communicating appropriate control signals to a motor (e.g., motor 217) or induction wheel assembly 104. As further example, controller 629 may monitor vital parameters of energy storage device 122 or other components of vehicle 500.

5 A conversion kit may also include manual ignition switch 628, allowing an operator of vehicle 500 to select between gasoline-powered mode and electric-powered mode.

 While a particular arrangement of components is depicted in FIGURE 5, various components of vehicle 500, including the conversion kit, may be arranged in
10 any suitable manner. For example, in some embodiments, despite that electric motor 609 is shown as coupled to drive train 521 via clutch 610, electric motor 609 may in some embodiments (e.g., those in which electric motor 609 is a multi-speed motor) be placed “before” transmission 514, with clutches or other control mechanisms configured to select between electric motor 609 and internal combustion engine 506
15 for engaging transmission 514.

 Based on the foregoing, powering assembly 102 may provide improved systems and methods for electrical powering of vehicles. Modifications, additions, or omissions may be made to vehicle 100 and powering assembly 102 without departing from the scope of the present disclosure.

WHAT IS CLAIMED IS:

1. A powering assembly comprising:
a carrier having one or more structural elements;
5 an axle coupled to the carrier;
a wheel coupled to the axle and configured to rotate about the axle in a plane substantially perpendicular to an axis of the axle;
a first secondary coil winding affixed to the wheel and configured such that when the wheel is proximate to an embedded conductor embedded in a roadway and carrying a first electrical current, a magnetic field induced by the first electrical
10 current induces a second electrical current in the first secondary coil winding;
a substantially linear rod mechanically coupled to the carrier such that the longitudinal axis of the rod is perpendicular to the axis of the axle; and
a second secondary coil winding affixed to the rod and configured such that
15 when the rod is proximate to the embedded conductor, a magnetic field induced by the first electrical current induces a third electrical current in the second secondary coil winding.
2. A powering assembly according to Claim 1, the rod comprising a
20 ferromagnetic core.
3. A powering assembly according to Claim 1, further comprising;
a magnetic sensor configured to determine an intensity of a magnetic field;
and
25 an actuator communicatively coupled to the magnetic sensor and configured to, based on at least the intensity, laterally move at least one of the wheel and the rod in a direction substantially parallel to the axis.
4. A powering assembly according to Claim 1, further comprising an arm
30 mechanically coupled to the carrier and configured to mechanically couple the powering assembly to a vehicle.

5. A vehicle comprising:
a chassis; and
powering assembly mechanically coupled to the chassis, the powering assembly comprising:
- 5 a carrier having one or more structural elements;
an axle coupled to the carrier;
a wheel coupled to the axle and configured to rotate about the axle in a plane substantially perpendicular to an axis of the axle;
a first secondary coil winding affixed to the wheel and configured such that when the wheel is proximate to an embedded conductor embedded in a roadway and carrying a first electrical current, a magnetic field induced by the first electrical current induces a second electrical current in the first secondary coil winding;
- 10 a substantially linear rod mechanically coupled to the carrier such that the longitudinal axis of the rod is perpendicular to the axis of the axle; and
a second secondary coil winding affixed to the rod and configured such that when the rod is proximate to the embedded conductor, a magnetic field induced by the first electrical current induces a third electrical current in the second secondary coil winding.
- 20
6. A vehicle according to Claim 5, the rod comprising a ferromagnetic core.
7. A vehicle according to Claim 5, further comprising;
- 25 a magnetic sensor configured to determine an intensity of a magnetic field;
and
an actuator communicatively coupled to the magnetic sensor and configured to, based on at least the intensity, laterally move at least one of the wheel and the rod in a direction substantially parallel to the axis.
- 30

8. A vehicle according to Claim 5, further comprising an arm mechanically coupled to the carrier and configured to mechanically couple the powering assembly to a vehicle.

5 9. A powering assembly comprising:
a carrier having one or more structural elements;
a wheel coupled to the axle and configured to rotate about an axle in a plane
substantially perpendicular to an axis of the axle;
a substantially linear rod mechanically coupled to the carrier such that the
10 longitudinal axis of the rod is perpendicular to the axis of the axle; and
a secondary coil winding affixed to the rod and configured such that when the
rod is proximate to an embedded conductor embedded in a roadway and carrying a
first electrical current, a magnetic field induced by the first electrical current induces a
second electrical current in the secondary coil winding;

15 10. A powering assembly according to Claim 9, the rod comprising a
ferromagnetic core.

20 11. A powering assembly according to Claim 9, further comprising;
a magnetic sensor configured to determine an intensity of a magnetic field;
and
an actuator communicatively coupled to the magnetic sensor and configured
to, based on at least the intensity, laterally move at least one of the wheel and the rod
in a direction substantially parallel to the axis.

25 12. A powering assembly according to Claim 9, further comprising an arm
mechanically coupled to the carrier and configured to mechanically couple the
powering assembly to a vehicle.

30

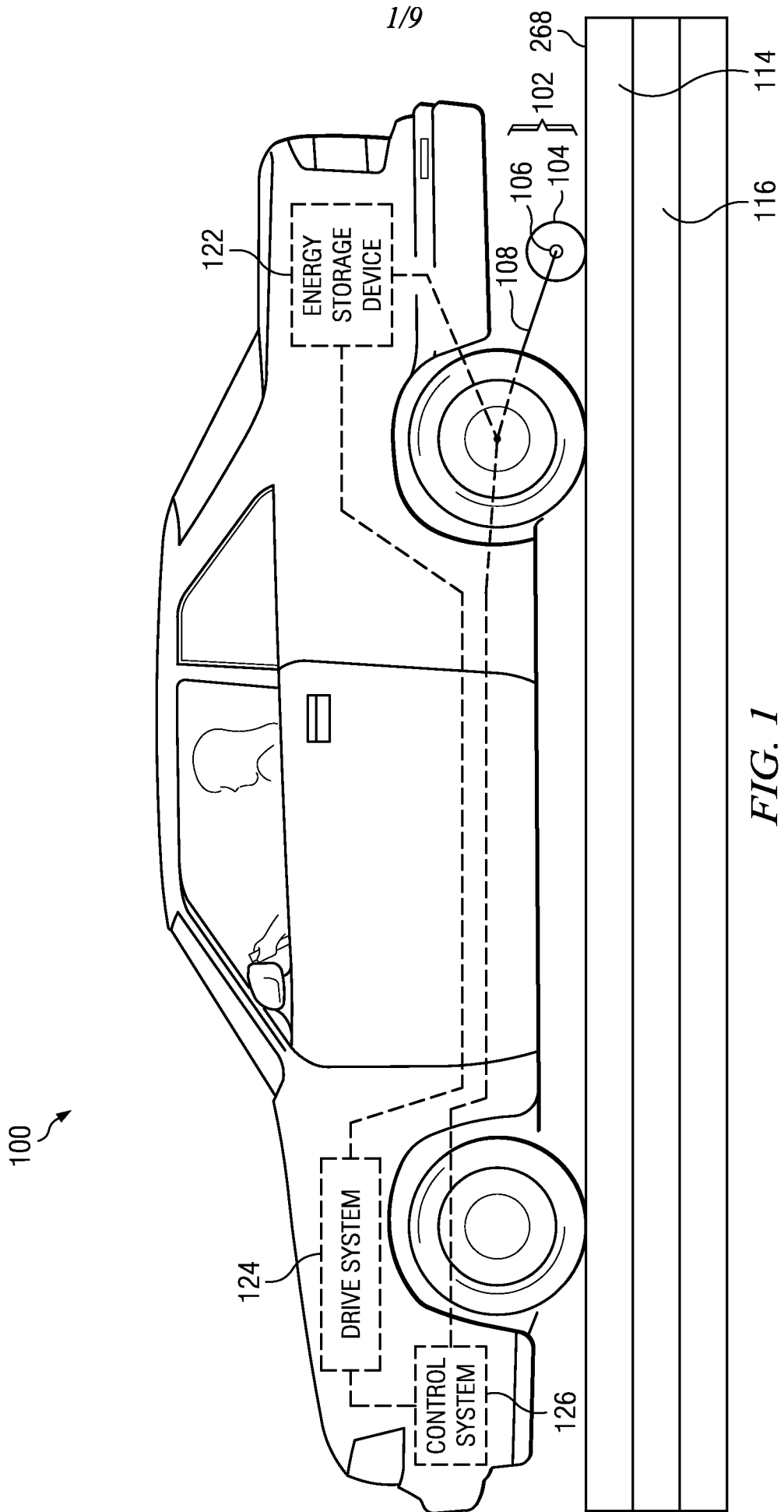


FIG. 1

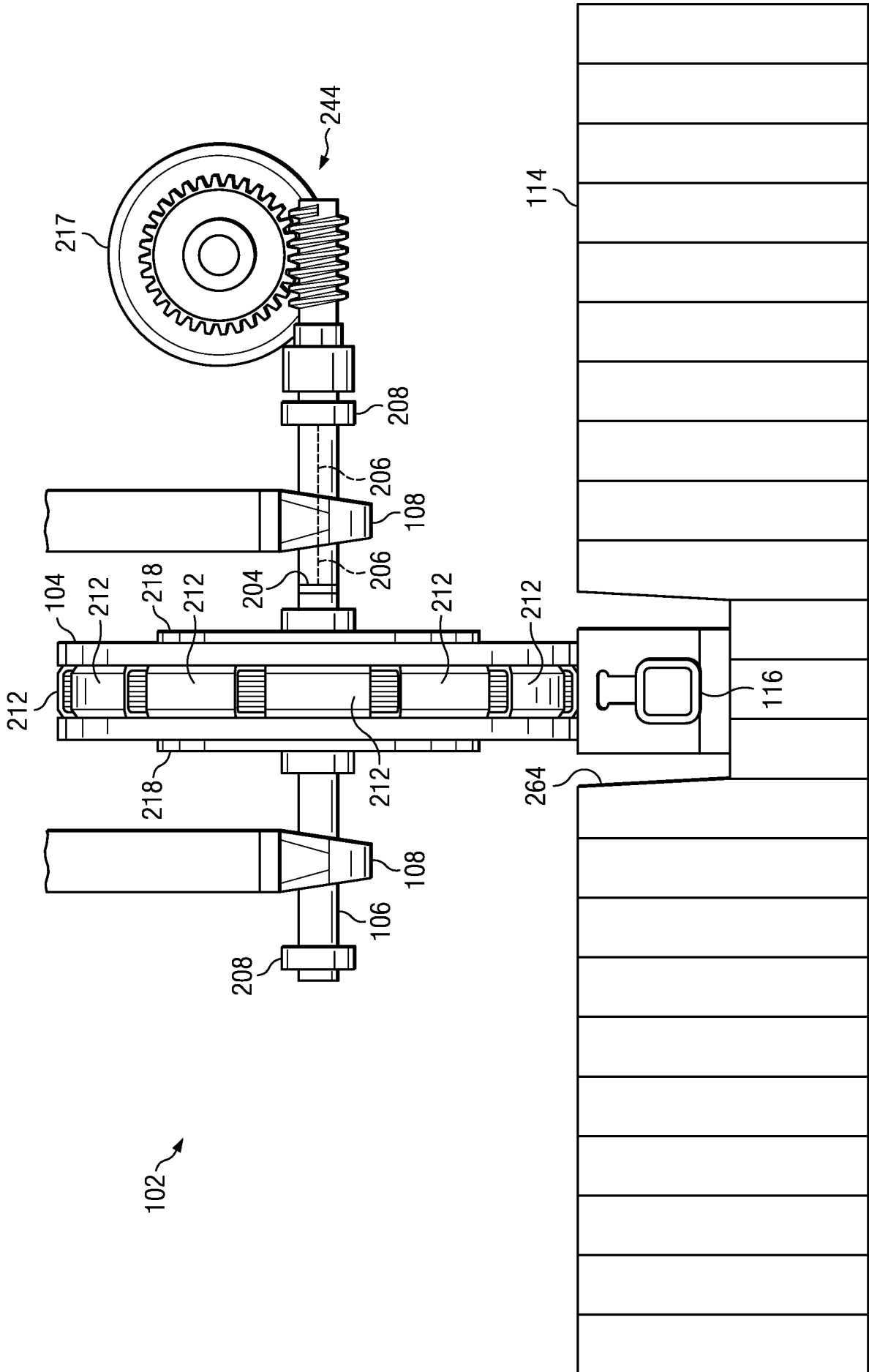
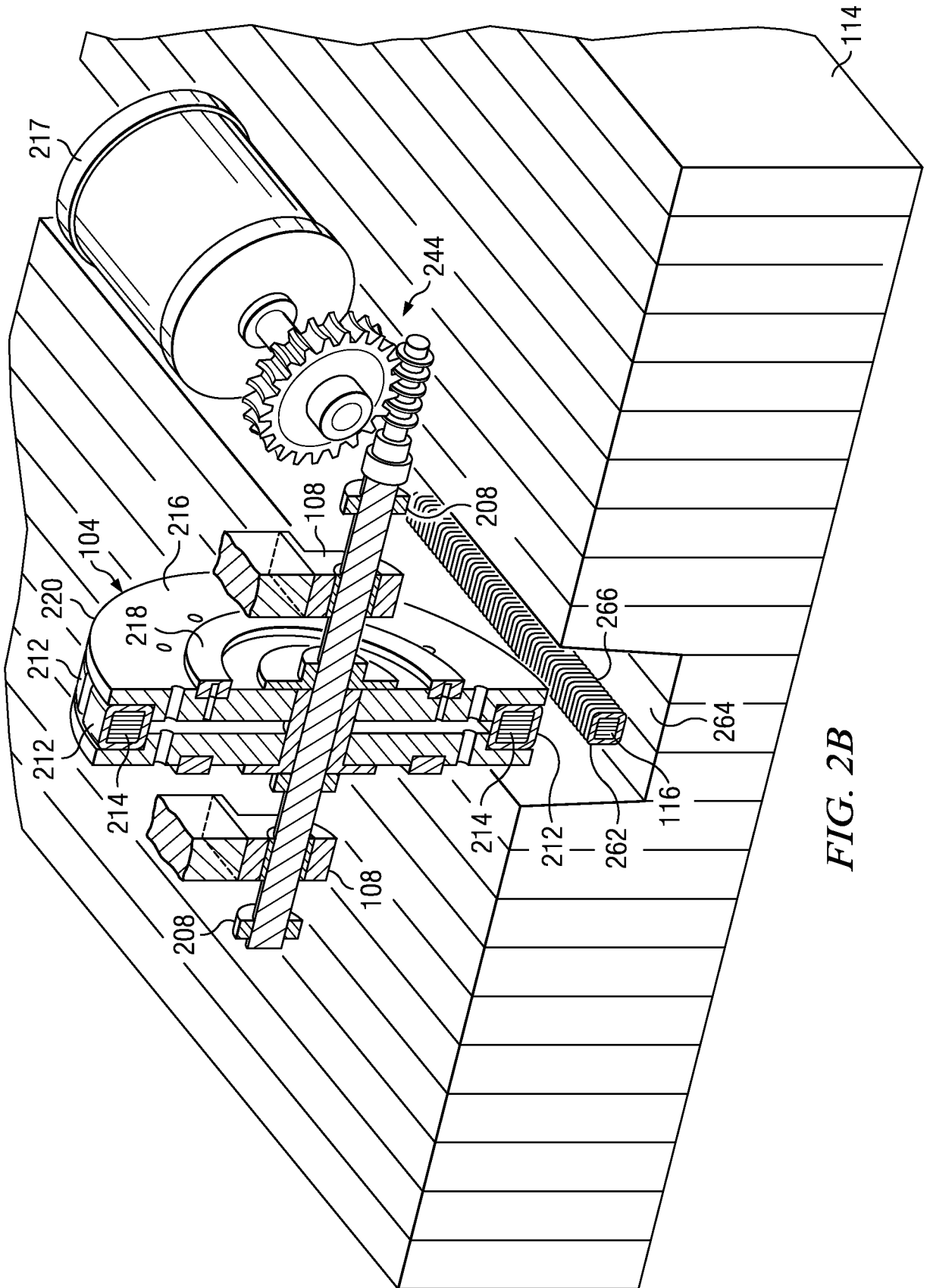


FIG. 2A



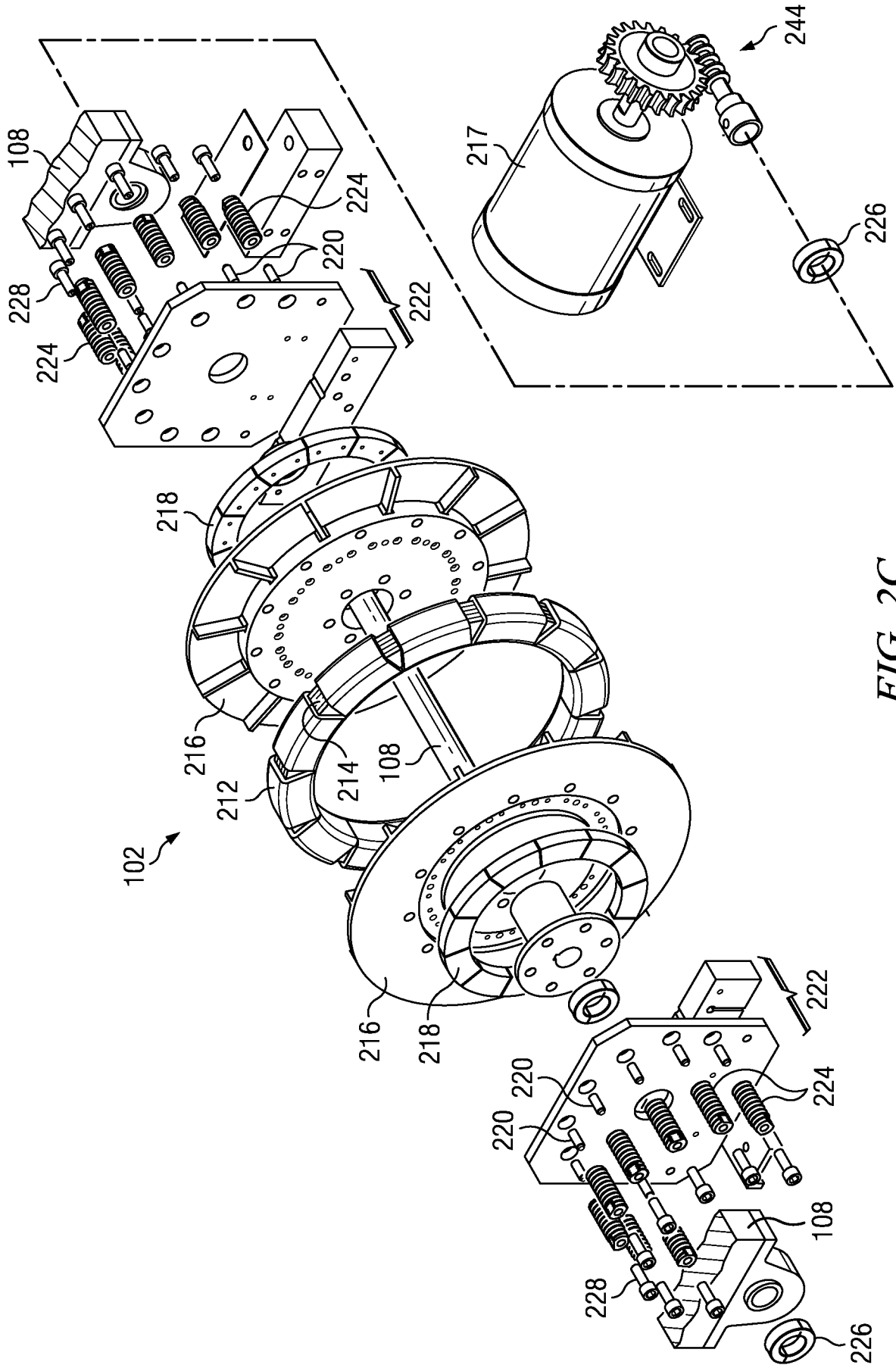


FIG. 2C

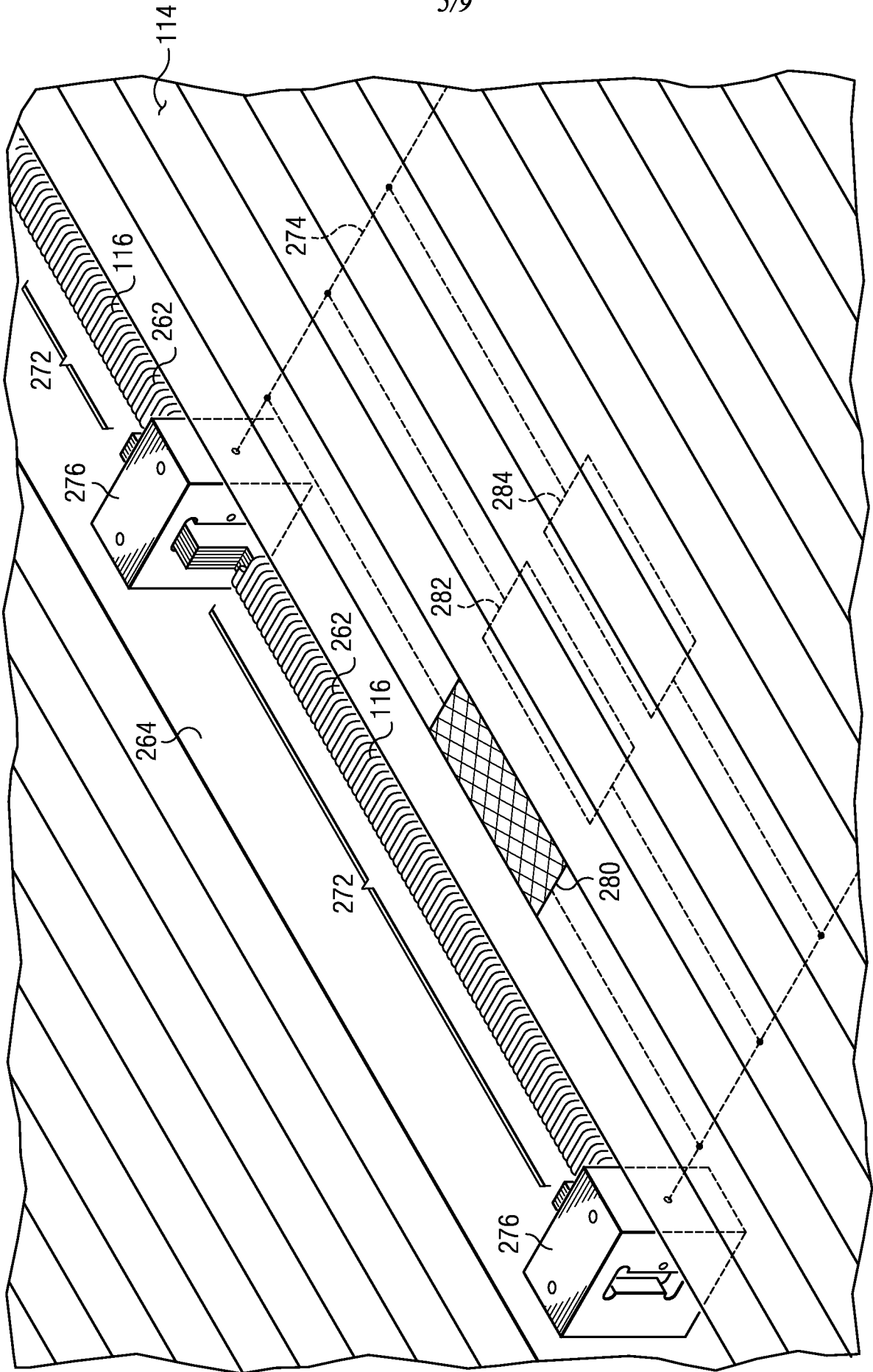


FIG. 2D

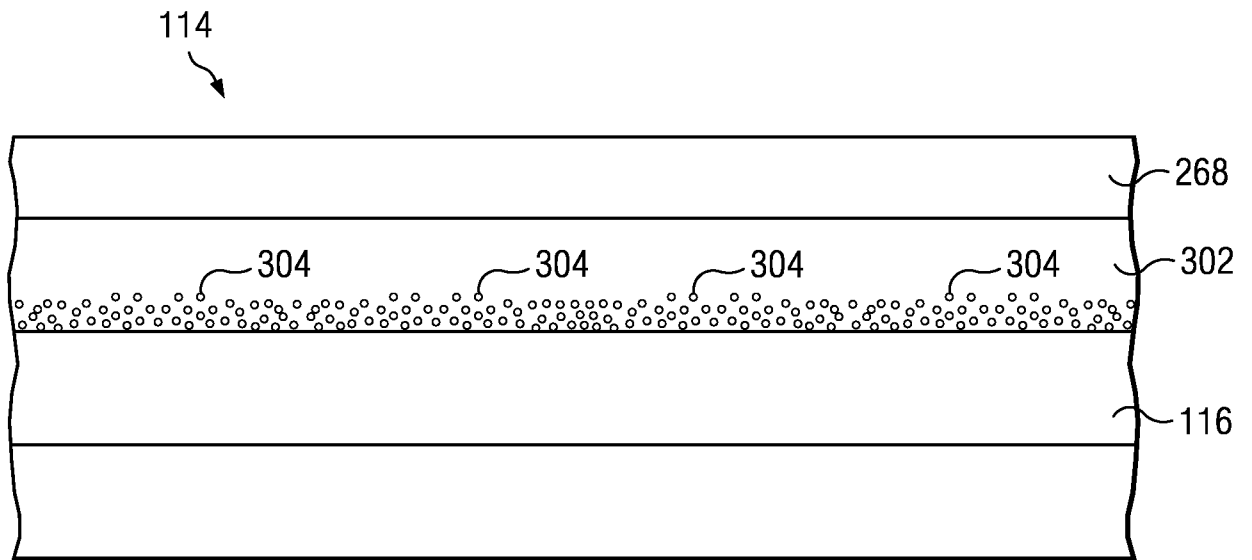


FIG. 3A

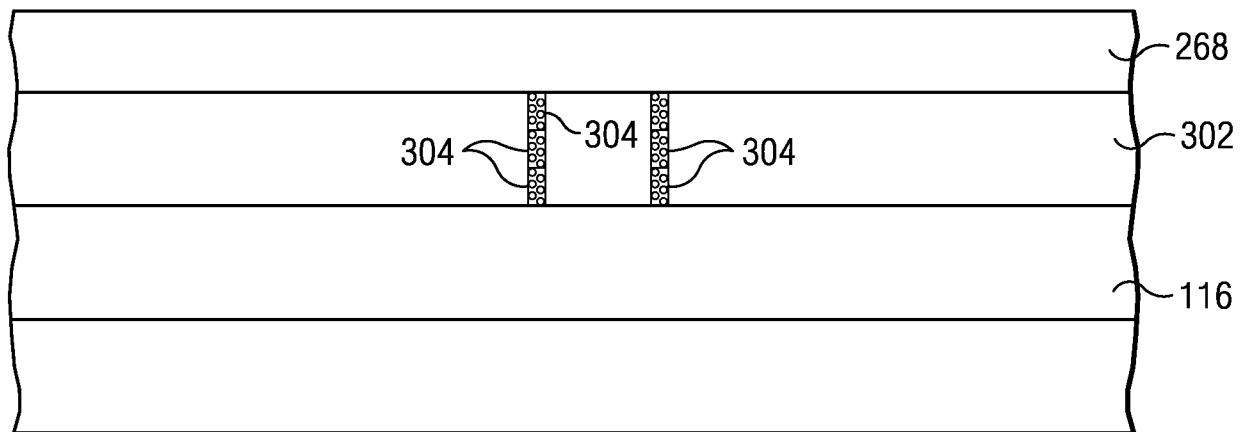


FIG. 3B

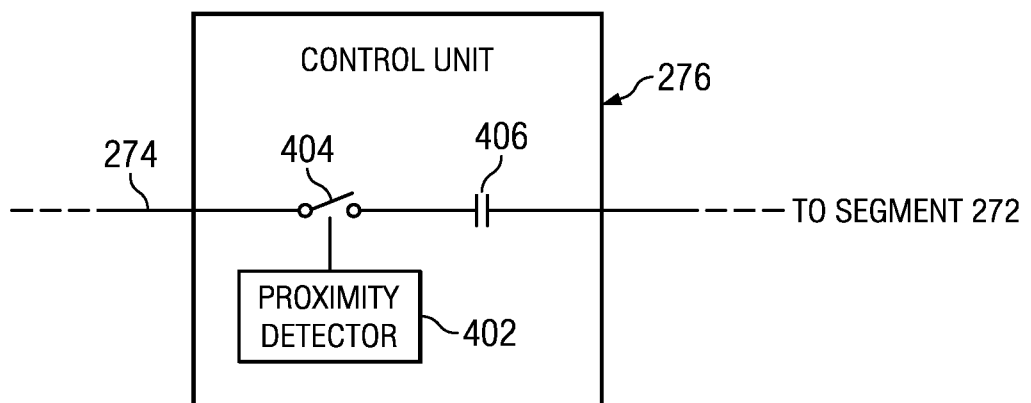


FIG. 4

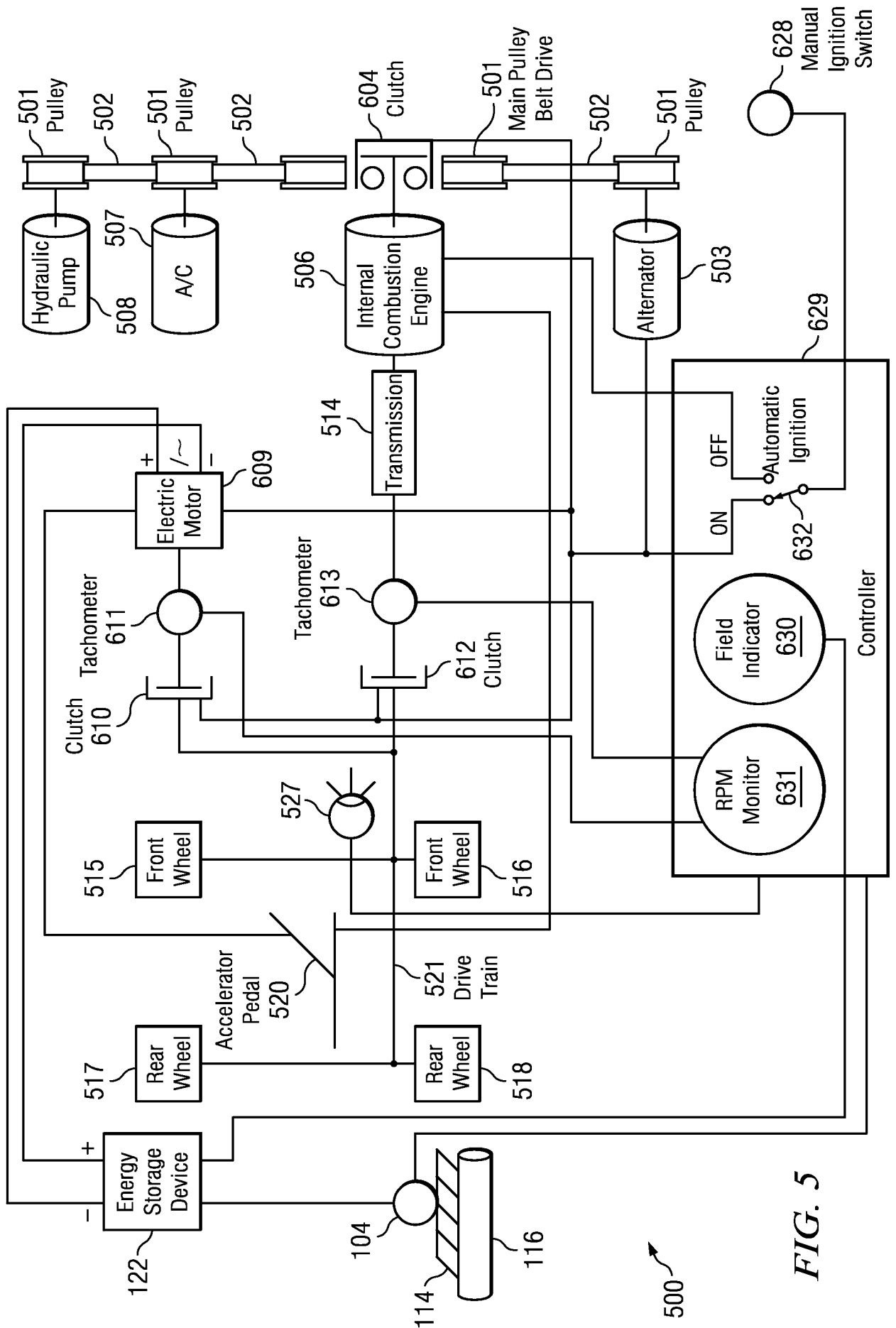


FIG. 5

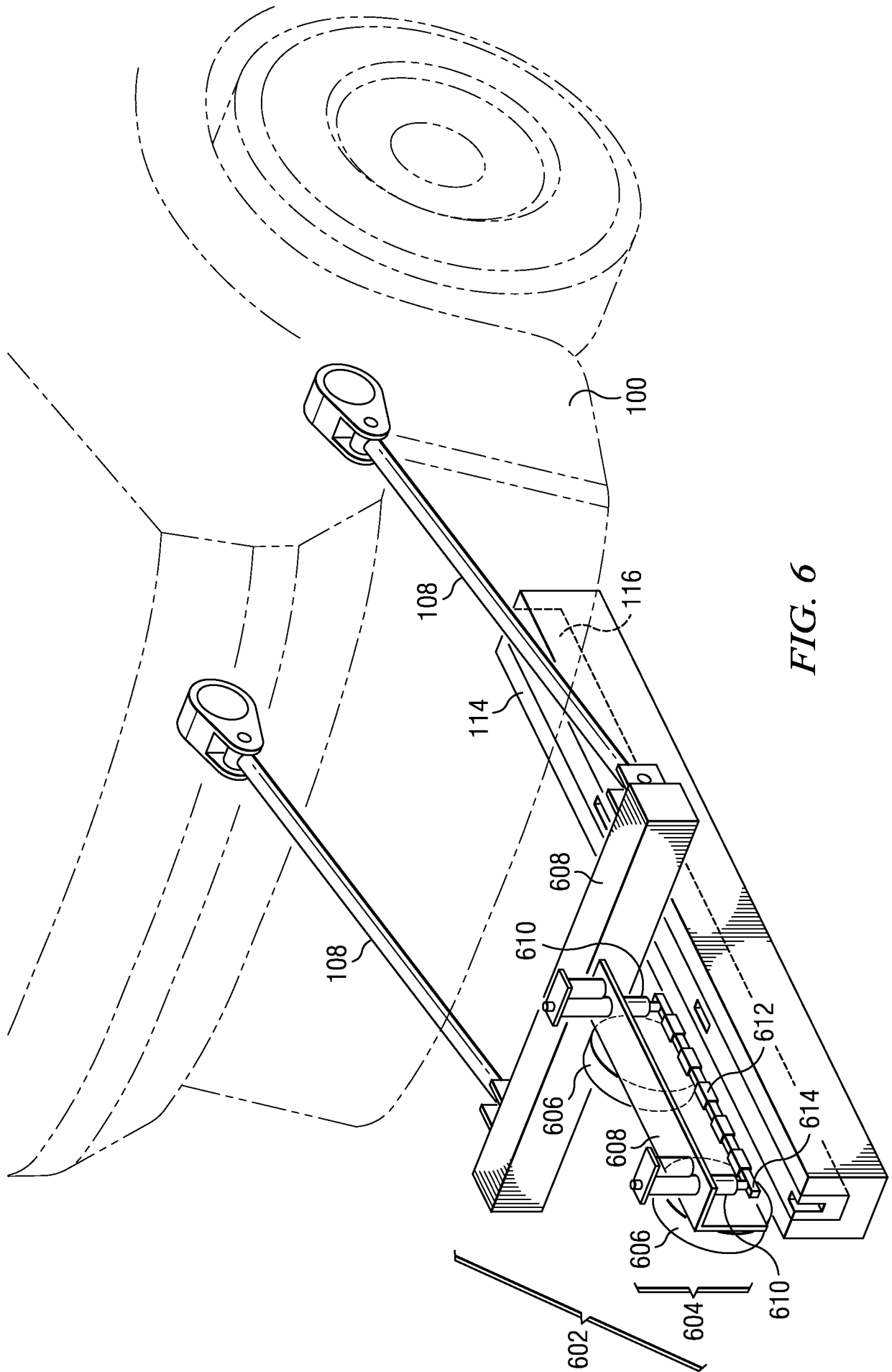


FIG. 6

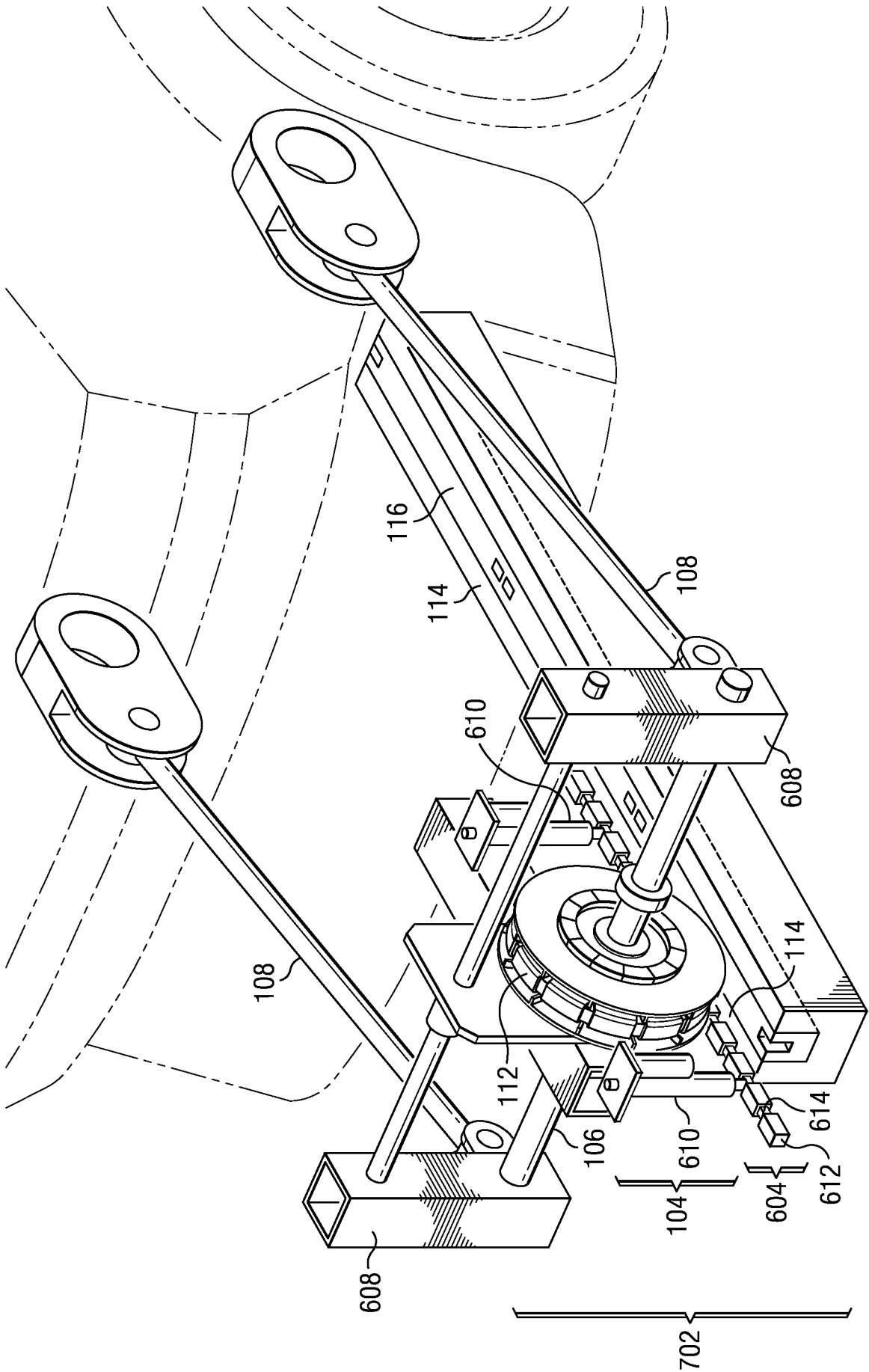


FIG. 7

INTERNATIONAL SEARCH REPORT

International application No.
PCT/US2011/052124**A. CLASSIFICATION OF SUBJECT MATTER*****B60W 10/24(2006.01)i, B60K 7/00(2006.01)i, B60K 16/00(2006.01)i***

According to International Patent Classification (IPC) or to both national classification and IPC

B. FIELDS SEARCHED

Minimum documentation searched (classification system followed by classification symbols)

B60W 10/24; B60M 1/34; H01F 38/14; B60L 1/00; B60L 5/00; B60K 1/00; B61B 13/08; B60L 9/00

Documentation searched other than minimum documentation to the extent that such documents are included in the fields searched

Korean utility models and applications for utility models

Japanese utility models and applications for utility models

Electronic data base consulted during the international search (name of data base and, where practicable, search terms used)

eKOMPASS(KIPO internal) & Keywords: vehicle, car, automobile, electrical field, magnetic field, induct, charge, powering, way, road

C. DOCUMENTS CONSIDERED TO BE RELEVANT

Category*	Citation of document, with indication, where appropriate, of the relevant passages	Relevant to claim No.
Y	US 05464082 A (PETER Y. S. YOUNG) 07 November 1995 See column 3 line 50 - column 5 line 49 and figures 1-3	9, 10, 12
Y	US 04635560 A (W. JOHN BALLANTYNE) 13 January 1987 See column 3 line 15-60, column 4 line 39 - column 5 line 3 and figures 1-3,6	9, 10, 12
A	JP 08-033112 A (SUMITOMO ELECTRIC IND LTD) 02 February 1996 See abstract and figures 1-3	1-12
A	US 2011-0031047 A1 (WALTER L. TARR) 10 February 2011 See paragraphs 0021-0025 and figure 1	1-12

 Further documents are listed in the continuation of Box C. See patent family annex.

* Special categories of cited documents:

"A" document defining the general state of the art which is not considered to be of particular relevance

"E" earlier application or patent but published on or after the international filing date

"L" document which may throw doubts on priority claim(s) or which is cited to establish the publication date of citation or other special reason (as specified)

"O" document referring to an oral disclosure, use, exhibition or other means

"P" document published prior to the international filing date but later than the priority date claimed

"T" later document published after the international filing date or priority date and not in conflict with the application but cited to understand the principle or theory underlying the invention

"X" document of particular relevance; the claimed invention cannot be considered novel or cannot be considered to involve an inventive step when the document is taken alone

"Y" document of particular relevance; the claimed invention cannot be considered to involve an inventive step when the document is combined with one or more other such documents, such combination being obvious to a person skilled in the art

"&" document member of the same patent family

Date of the actual completion of the international search

18 MAY 2012 (18.05.2012)

Date of mailing of the international search report

21 MAY 2012 (21.05.2012)

Name and mailing address of the ISA/KR

Korean Intellectual Property Office
189 Cheongsa-ro, Seo-gu, Daejeon Metropolitan
City, 302-701, Republic of Korea

Facsimile No. 82-42-472-7140

Authorized officer

Kim Sung Soo

Telephone No. 82-42-481-3401



INTERNATIONAL SEARCH REPORT

Information on patent family members

International application No.

PCT/US2011/052124

Patent document cited in search report	Publication date	Patent family member(s)	Publication date
US 05464082 A	07.11.1995	None	
US 04635560 A	13.01.1987	EP 0187526 A2 EP 0187526 A3 EP 0187526 B1 JP 61-218304 A	16.07.1986 18.01.1989 20.02.1991 27.09.1986
JP 08-033112 A	02.02.1996	None	
US 2011-0031047 A1	10.02.2011	None	