

(19) World Intellectual Property Organization
International Bureau



(43) International Publication Date
16 September 2010 (16.09.2010)

(10) International Publication Number
WO 2010/102907 A1

- (51) **International Patent Classification:**
G11B 7/0065 (2006.01) *G11B 7/135* (2006.01)
- (21) **International Application Number:**
PCT/EP2010/052419
- (22) **International Filing Date:**
25 February 2010 (25.02.2010)
- (25) **Filing Language:** English
- (26) **Publication Language:** English
- (30) **Priority Data:**
09305225.6 11 March 2009 (11.03.2009) EP
- (71) **Applicant (for all designated States except US):** THOMSON LICENSING [FR/FR]; 1-5 rue Jeanne d'Arc, F-92130 Issy-les-Moulineaux (FR).
- (72) **Inventors; and**
- (75) **Inventors/Applicants (for US only):** KNITTEL, Joachim [DE/DE]; Lenastr. 32, 78532 Tuttlingen (DE). TRAUTNER, Heiko [DE/DE]; Im Marbental 20, 78089 Unterkirchbach (DE).
- (74) **Agent:** SCHMIDT-UHLIG, Thomas; Deutsche Thomson OHG, European Patent Operations, Karl-Wiechert-Allee 74, 30625 Hannover (DE).

- (81) **Designated States (unless otherwise indicated, for every kind of national protection available):** AE, AG, AL, AM, AO, AT, AU, AZ, BA, BB, BG, BH, BR, BW, BY, BZ, CA, CH, CL, CN, CO, CR, CU, CZ, DE, DK, DM, DO, DZ, EC, EE, EG, ES, FI, GB, GD, GE, GH, GM, GT, HN, HR, HU, ID, IL, IN, IS, JP, KE, KG, KM, KN, KP, KR, KZ, LA, LC, LK, LR, LS, LT, LU, LY, MA, MD, ME, MG, MK, MN, MW, MX, MY, MZ, NA, NG, NI, NO, NZ, OM, PE, PG, PH, PL, PT, RO, RS, RU, SC, SD, SE, SG, SK, SL, SM, ST, SV, SY, TH, TJ, TM, TN, TR, TT, TZ, UA, UG, US, UZ, VC, VN, ZA, ZM, ZW.
- (84) **Designated States (unless otherwise indicated, for every kind of regional protection available):** ARIPO (BW, GH, GM, KE, LS, MW, MZ, NA, SD, SL, SZ, TZ, UG, ZM, ZW), Eurasian (AM, AZ, BY, KG, KZ, MD, RU, TJ, TM), European (AT, BE, BG, CH, CY, CZ, DE, DK, EE, ES, FI, FR, GB, GR, HR, HU, IE, IS, IT, LT, LU, LV, MC, MK, MT, NL, NO, PL, PT, RO, SE, SI, SK, SM, TR), OAPI (BF, BJ, CF, CG, CI, CM, GA, GN, GQ, GW, ML, MR, NE, SN, TD, TG).

Published:

— with international search report (Art. 21(3))

(54) **Title:** MULTILAYER COAXIAL HOLOGRAPHIC STORAGE SYSTEM

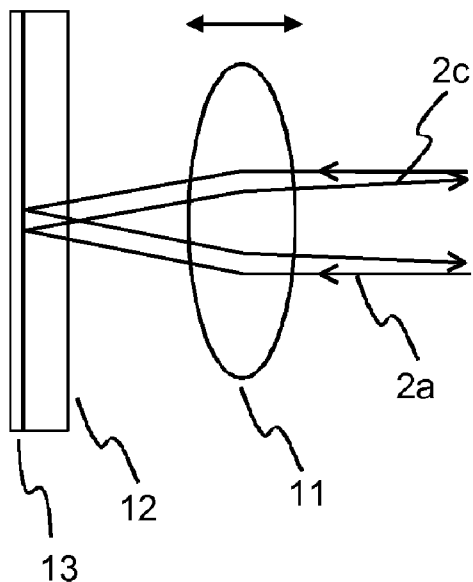


Fig. 3

(57) **Abstract:** The present invention relates to an apparatus (1) for reading from and/or writing to a multilayer holographic storage medium (12) with a coaxial arrangement of a reference beam (2a) and an object beam (2b) or a reconstructed object beam (2c). The apparatus (1) has an objective lens (11) for focusing the reference beam (2a) into the multilayer holographic storage medium (12) such that the reference beam (2a) has a focal point behind or in front of a reflective layer (13) of the multilayer holographic storage medium (12), and a 4f imaging system (14, 16) with a movable lens (14) for re-collimating a reconstructed object beam (2c). For re-collimating the reconstructed object beam (2c) the apparatus (1) is adapted to shift the movable lens (14) of the 4f imaging system (14, 16) by substantially twice the shift of the objective lens (11) necessary for addressing a specific layer of the multilayer holographic storage medium (12).

Multilayer Coaxial Holographic Storage System

The present invention relates to a coaxial holographic storage system, i.e. an apparatus for reading from and/or writing to a
5 holographic storage medium with a coaxial arrangement of a reference beam and an object beam or a reconstructed object beam. The apparatus is capable of reading from and/or writing to a multilayer holographic storage medium.

10 In holographic data storage digital data are stored by recording the interference pattern produced by the superposition of two coherent laser beams, where one beam, the so-called 'object beam', is modulated by a spatial light modulator and carries the information to be recorded. The second beam serves as a
15 reference beam. The interference pattern leads to modifications of specific properties of the storage material, which depend on the local intensity of the interference pattern. Reading of a recorded hologram is performed by illuminating the hologram with the reference beam using the same conditions as during
20 recording. This results in the reconstruction of the recorded object beam.

One advantage of holographic data storage is an increased data capacity. Contrary to conventional optical storage media, the
25 volume of the holographic storage medium is used for storing information, not just a few layers. One further advantage of holographic data storage is the possibility to store multiple data in the same volume, e.g. by changing the angle between the two beams or by using shift multiplexing, etc. Furthermore,
30 instead of storing single bits, data are stored as data pages. Typically a data page consists of a matrix of light-dark-patterns, i.e. a two dimensional binary array or an array of grey values, which code multiple bits. This allows to achieve increased data rates in addition to the increased storage
35 density. The data page is imprinted onto the object beam by the spatial light modulator (SLM) and detected with a detector

array. Straightforward examples of an SLM are an amplitude SLM, where the pixels with the value '0' block the light, and the pixels with the value '1' transmit or reflect it, and a phase SLM, where the information bits '0' and '1' (or vice versa) are expressed by a phase shift of '0' and ' π ', respectively.

In K. Tanaka et al.: *"Improved performance in coaxial holographic data recording"*, Opt. Exp. 15 (2007), pp. 16196-16209 a coaxial holographic storage system is disclosed. Coaxial holographic storage systems are attractive, because they can be made compact, have a simple optical setup and are compatible with conventional optical disc systems. However, the storage capacity of such systems is limited, as the usable volume of the holographic storage material is limited to a thickness of about 300 μ m from the reflective layer of the holographic storage medium. The reference beam and the object beam do not overlap significantly beyond a distance of about 300 μ m from the focus for a typical numerical aperture of 0.65. Thus a thicker holographic storage layer does not improve the capacity.

In this regard US 2007/0253042 A1 discloses a coaxial holographic storage system for use with a multilayer transmission-type and reflection-type holographic storage medium. In case of reflection-type media, the reference beams are focused in front of the reflective layer. Though this system allows for an increased capacity, for addressing a specific layer of the holographic storage medium a reading lens system and a writing lens system need to be moved perpendicularly to the storage medium. As a consequence the optical system of this coaxial holographic storage system is rather complex.

US 6,147,782 discloses a holographic storage system for transmission-type holographic storage media. An optical head is provided with a reflective surface, onto which the reference beam is focused.

US 2008/0239924 A1 discloses a holographic storage system for reflection-type multilayer holographic storage media. The reference beam is focused in front of a reflective layer of the holographic storage medium.

5

It is an object of the invention to propose an apparatus for reading from and/or writing to a multilayer holographic storage medium with a coaxial arrangement of a reference beam and an object beam or a reconstructed object beam, which has a

10 simplified optical setup.

According to the invention, this object is achieved by an apparatus for reading from and/or writing to a multilayer holographic storage medium, with a coaxial arrangement of a reference beam and an object beam or a reconstructed object beam, which has:

15

- an objective lens for focusing the reference beam into the multilayer holographic storage medium such that the reference beam has a focal point behind or in front of a reflective layer of the multilayer holographic storage medium; and

20

- a 4f imaging system with a movable lens for re-collimating a reconstructed object beam;

wherein for re-collimating the reconstructed object beam the apparatus is adapted to shift the movable lens of the 4f imaging system by substantially twice the shift of the objective lens necessary for addressing a specific layer of the multilayer holographic storage medium

25

Similarly, a method for reading from and/or writing to a multilayer holographic storage medium, with a coaxial arrangement of a reference beam and an object beam or a reconstructed object beam has the steps of:

30

- focusing the reference beam beyond or in front of a reflective layer of the multilayer holographic storage medium with an

35

objective lens; and

- re-collimating a reconstructed object beam with a 4f imaging system with a movable lens, wherein the movable lens is shifted by substantially twice the shift of the objective lens necessary for addressing a specific layer of the multilayer holographic storage medium.

While many known coaxial holographic storage systems for multilayer holographic storage media are based on transmission type holographic storage media, the apparatus according to the invention uses a reflection type holographic storage medium. Such media have the advantage that the optical system is relatively simple, as all optical components are arranged on one side of the holographic storage medium. However, while it is rather easy to address a specific storage layer of a transmission type holographic storage medium, this is more difficult for a reflection type holographic storage medium. For a transmission type holographic storage medium it is sufficient to simply move the whole optical system, or at least a focusing lens for focusing the reference beam into the holographic storage medium and a collimating lens for collimating a reconstructed object beam, relative to the holographic storage medium. This is not possible for a reflection type holographic storage medium. To overcome this problem, the reference beam is focused by an objective lens beyond or before the reflective layer of the holographic storage medium. To address a specific storage layer, the position of the focus is shifted along the optical axis relative to the reflective layer. As a consequence the reconstructed object beam is not fully collimated by the objective lens and shows a certain spherical aberration. Therefore, an adjustable optical system is provided that ensures a sharp image of the reconstructed object beam on the array detector. Of course, when the reference beam is focused beyond the reflective layer, this means that the focal point is only reached after reflection at the reflective layer. In other words, the virtual focal point of the reference beam is located behind the reflective layer.

A 4f imaging system with a movable lens is provided for re-collimating a reconstructed object beam. By re-collimating the reconstructed object beam it becomes possible to use a normal array detector for detecting the reconstructed object beam. This reduces the cost of the optical system. A Fourier filter for filtering the reconstructed object beam is favorably arranged in the joint focal plane of the 4f imaging system. In this way noise is easily filtered from the reconstructed object beam.

10

For re-collimating the reconstructed object beam the movable lens of the 4f imaging system is shifted by substantially twice the shift of the objective lens necessary for addressing a specific layer of the multilayer holographic storage medium. For this purpose the movable lens of the 4f imaging system has essentially the same focal length as the objective lens. This has the advantage that the position of the movable lens necessary for re-collimating the reconstructed object beam can be determined from the position of the objective lens in a simple manner. Furthermore, the symmetrical optical setup is ideal for compensating optical aberrations.

15

20

Favorably, the 4f imaging system further includes a transparent plate for compensating for spherical aberrations caused by the multilayer holographic storage medium. The optical path length of the reconstructed object beam inside the holographic storage medium depends on the addressed storage layer. This leads to spherical aberrations of the reconstructed object beam, which are compensated by the transparent plate. This leads to a reduced error rate. The transparent plate is adapted to the multilayer holographic storage medium. The transparent plate favourably has twice the optical path length of a cover layer of the multilayer holographic storage medium. For example, in case the transparent plate has the same refractive index as the cover layer, the thickness of the transparent plate is twice the thickness of the cover layer.

25

30

35

Advantageously, a variable aperture is arranged before an array detector for blocking a reflected reference beam. The variable aperture preferably is an electronically controlled aperture, which changes its size as a function of the position of the movable lens of the 4f imaging system. The re-collimation system consisting of the 4f imaging system and the transparent plate causes a slight change of the diameter of the reconstructed object beam as a function of the position of the movable lens. This is taken into account by the variable aperture, which blocks the reference beam reflected by the reflective layer. In this way the reflected reference beam does not impinge on the array detector.

For a better understanding the invention shall now be explained in more detail in the following description with reference to the figures. It is understood that the invention is not limited to this exemplary embodiment and that specified features can also expediently be combined and/or modified without departing from the scope of the present invention as defined by the appended claims. In the figures:

Fig. 1 schematically depicts a coaxial holographic storage system according to the invention,

Fig. 2 illustrates retrieval of a hologram from a conventional holographic storage medium, and

Fig. 3 depicts retrieval of a hologram from a multilayer holographic storage medium.

Fig. 1 schematically depicts a coaxial holographic storage system 1 according to the invention. A light beam 2 emitted by laser 3 and collimated by a lens 4 is reflected by a mirror 5 towards a transmissive spatial light modulator 6. The transmissive spatial light modulator 6 is used for modulating

the light beam 2 for generating a reference beam 2a and an object beam 2b or only the reference beam 2a. Of course, it is likewise possible to use a reflective spatial light modulator. In addition, a binary phase plate (not shown) for spreading the intensity distribution and improving the interference efficiency between the object beam 2b and the reference beam 2a is preferably integrated in the spatial light modulator 6. A polarizing beam splitter 7 deflects the modulated light beam towards a 4f-imaging system consisting of two lenses 8, 9 each having a focal length f_2 . The modulated light beam then passes a quarter-wave plate 10 and is focused into a multilayer holographic storage medium 12 by an objective lens 11.

For writing holograms to different layers of the multilayer holographic storage medium 12, the distance between the objective lens 11 and the multilayer holographic storage medium 12 is adapted. However, no further modification of the optical system is necessary for writing.

For readout only the reference beam 2a is generated by the spatial light modulator 6. The distance between the objective lens 11 and the multilayer holographic storage medium 12 is set in accordance with the addressed layer.

In the conventional case, which is illustrated in Fig. 2, where the reference beam 2a is focused onto a reflective layer 13 of the multilayer holographic storage medium 12, the returning reconstructed object beam 2c is collimated by the objective lens 11. As the polarization is rotated by the quarter-wave plate 10, the reconstructed object beam 2c is transmitted through the polarizing beam splitter 7 and impinges on an array detector 18 after passing through two further lenses 14, 16, which form a 4f imaging system. Preferentially the two further lenses 14, 16 are identical to the objective lens 11 and have a focal length f_1 . Located between the two further lenses 14, 16 is a transparent plate 15. This transparent plate 15 is used to compensate for

spherical aberrations, which arise because the objective lens 11 has to compensate for the layer thickness of the multilayer holographic storage medium 12. To achieve this the optical path length of the transparent plate 15 is twice the optical path length of a cover layer of the multilayer holographic storage medium 12.

If the hologram has been recorded in a different layer, as illustrated in Fig. 3, the objective lens 11 is moved to the corresponding position. In this case the returning reconstructed object beam 2c is a diverging beam and needs to be re-collimated by the optical system. This is achieved by moving the first lens 14 of the two further lenses 14, 16 forming the 4f imaging system. If the objective lens 11 is moved by dx towards the multilayer holographic storage medium 12, the distance between the first lens 14 and the second lens 16 of the two further lenses 14, 16 is increased by approximately $2 \times dx$, and vice versa. Though the compensation is not 100%, the diameter of the reconstructed object beam 2c on the array detector 18 remains almost constant.

Due to the proposed re-collimation system consisting of the two further lenses 14, 16 and the transparent plate 15, the diameter of the reconstructed object beam 2c changes slightly as a function of the position of the first further lens 14. To take this into account a variable aperture 17 is located in front of the array detector 18 to block the reflected reference beam 2a. Advantageously, an electronically controlled aperture 17 is used, which changes its size as a function of the position of the first further lens 14.

Claims

1. Apparatus (1) for reading from and/or writing to a multilayer holographic storage medium (12), with a coaxial arrangement of a reference beam (2a) and an object beam (2b) or a reconstructed object beam (2c), having:
- an objective lens (11) for focusing the reference beam (2a) into the multilayer holographic storage medium (12) such that the reference beam (2a) has a focal point behind or in front of a reflective layer (13) of the multilayer holographic storage medium (12); and
 - a 4f imaging system (14, 16) with a movable lens (14) for re-collimating a reconstructed object beam (2c);
- characterized** in that for re-collimating the reconstructed object beam (2c) the apparatus (1) is adapted to shift the movable lens (14) of the 4f imaging system (14, 16) by substantially twice the shift of the objective lens (11) necessary for addressing a specific layer of the multilayer holographic storage medium (12).
2. Apparatus (1) according to claim 1, **wherein** the 4f imaging system (14, 16) further includes a transparent plate (15) for compensating for spherical aberrations caused by the multilayer holographic storage medium (12).
3. Apparatus (1) according to claim 2, **wherein** the transparent plate (15) has twice the optical path length of a cover layer of the multilayer holographic storage medium (12).
4. Apparatus (1) according to one of claims 1 to 3, **further** having a variable aperture (17) arranged before an array detector (18) for blocking a reflected reference beam (2a).
5. Apparatus (1) according to claim 4, **wherein** the variable aperture (17) is an electronically controlled aperture, which is

adapted to change its size as a function of the position of the movable lens (14) of the 4f imaging system (14, 16).

6. Method for reading from and/or writing to a multilayer
5 holographic storage medium (12), with a coaxial arrangement of a reference beam (2a) and an object beam (2b) or a reconstructed object beam (2c), **having** the steps of:
- focusing the reference beam (2a) beyond or in front of a reflective layer (13) of the multilayer holographic storage
10 medium (12) with an objective lens (11); and
 - re-collimating a reconstructed object beam (2c) with a 4f imaging system (14, 16) with a movable lens (14), wherein the movable lens (14) is shifted by substantially twice the shift of the objective lens (11) necessary for addressing a specific
15 layer of the multilayer holographic storage medium (12).

7. Method according to one of claims 6, **further** having the step of blocking a reflected reference beam (2a) with a variable aperture (17) arranged before an array detector (18).

20

8. Method according to claim 7, **wherein** the size of the variable aperture (17) is changed as a function of the position of the movable lens (14) of the 4f imaging system (14, 16).

25

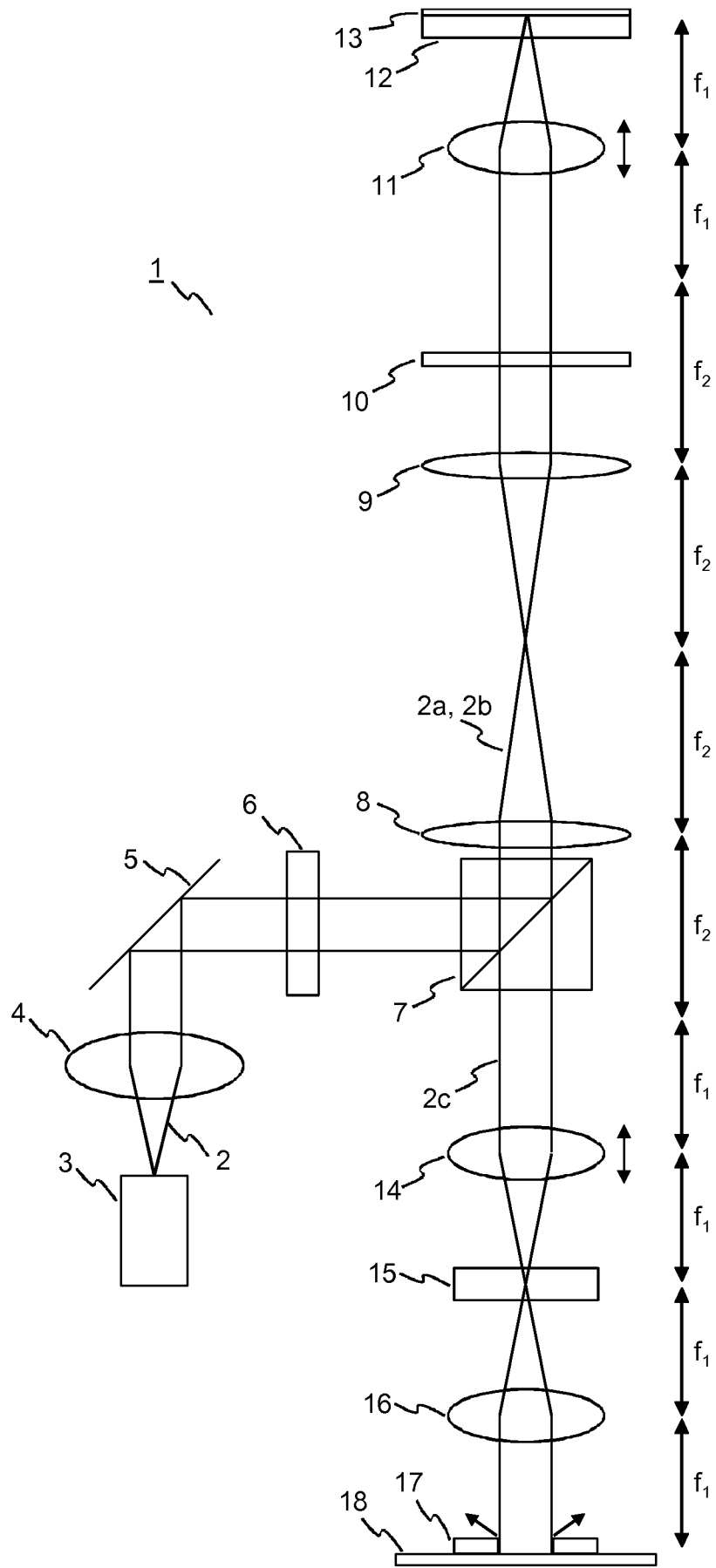


Fig. 1

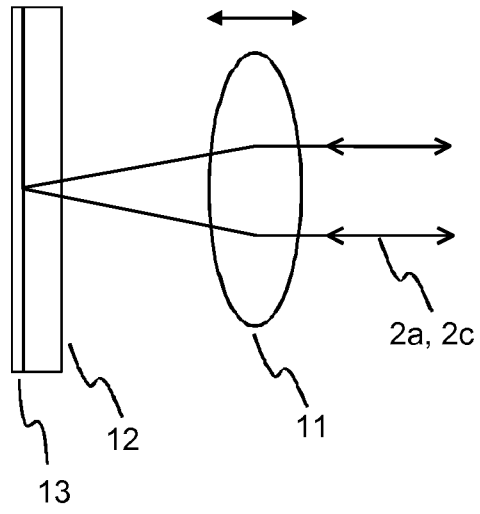


Fig. 2

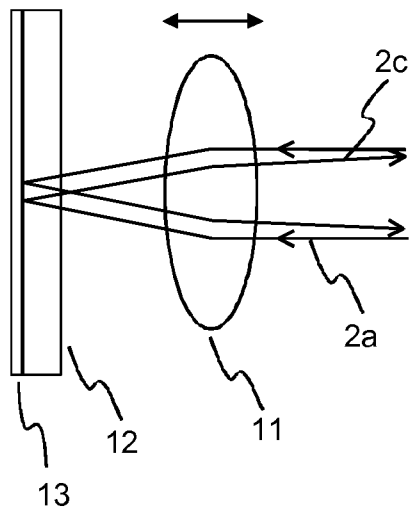


Fig. 3

INTERNATIONAL SEARCH REPORT

International application No
PCT/EP2010/052419

A. CLASSIFICATION OF SUBJECT MATTER
INV. G11B7/0065 G11B7/135

According to International Patent Classification (IPC) or to both national classification and IPC

B. FIELDS SEARCHED

Minimum documentation searched (classification system followed by classification symbols)
G11B G03H

Documentation searched other than minimum documentation to the extent that such documents are included in the fields searched

Electronic data base consulted during the international search (name of data base and, where practical, search terms used)
EPO-Internal

C. DOCUMENTS CONSIDERED TO BE RELEVANT

Category*	Citation of document, with indication, where appropriate, of the relevant passages	Relevant to claim No.
A	US 2007/253042 A1 (SZARVAS GABOR [HU] ET AL) 1 November 2007 (2007-11-01) cited in the application figures 12,17	1-8
A	US 6 147 782 A (DAIBER ANDREW J [US] ET AL) 14 November 2000 (2000-11-14) columns 2-8; figures 1-4	1-8
A	US 2008/239924 A1 (FUJITA GORO [JP] ET AL) 2 October 2008 (2008-10-02) paragraphs [0050] - [0269]; figures 2-16	1-8
A	EP 1 986 187 A (SONY CORP [JP]) 29 October 2008 (2008-10-29) paragraph [0005]; figures 1,4,5	1-8
	-/--	

Further documents are listed in the continuation of Box C.

See patent family annex.

* Special categories of cited documents :

- "A" document defining the general state of the art which is not considered to be of particular relevance
- "E" earlier document but published on or after the international filing date
- "L" document which may throw doubts on priority claim(s) or which is cited to establish the publication date of another citation or other special reason (as specified)
- "O" document referring to an oral disclosure, use, exhibition or other means
- "P" document published prior to the international filing date but later than the priority date claimed

- "T" later document published after the international filing date or priority date and not in conflict with the application but cited to understand the principle or theory underlying the invention
- "X" document of particular relevance; the claimed invention cannot be considered novel or cannot be considered to involve an inventive step when the document is taken alone
- "Y" document of particular relevance; the claimed invention cannot be considered to involve an inventive step when the document is combined with one or more other such documents, such combination being obvious to a person skilled in the art.
- "&" document member of the same patent family

Date of the actual completion of the international search

Date of mailing of the international search report

8 April 2010

14/04/2010

Name and mailing address of the ISA/
European Patent Office, P.B. 5818 Patentlaan 2
NL - 2280 HV Rijswijk
Tel. (+31-70) 340-2040,
Fax: (+31-70) 340-3016

Authorized officer

Baur, Christoph

INTERNATIONAL SEARCH REPORT

International application No
PCT/EP2010/052419

C(Continuation). DOCUMENTS CONSIDERED TO BE RELEVANT

Category*	Citation of document, with indication, where appropriate, of the relevant passages	Relevant to claim No.
A	EP 1 515 320 A (KONINKL PHILIPS ELECTRONICS NV [NL]) 16 March 2005 (2005-03-16) paragraphs [0001], [0002], [0037] - [0043]; figure 4a -----	1-8
A	JP 2007 193874 A (OPTWARE KK) 2 August 2007 (2007-08-02) paragraphs [0028] - [0077]; figures 1-7 -----	1-8
A	US 2005/030875 A1 (HORIMAI HIDEYOSHI [JP]) 10 February 2005 (2005-02-10) paragraphs [0083], [0084]; figure 8 -----	1-8

INTERNATIONAL SEARCH REPORT

Information on patent family members

International application No
PCT/EP2010/052419

Patent document cited in search report	Publication date	Patent family member(s)	Publication date	
US 2007253042	A1	01-11-2007	CN 1809877 A	26-07-2006
			EP 1629466 A1	01-03-2006
			WO 2004102541 A1	25-11-2004
			JP 2007502501 T	08-02-2007
			KR 20060005411 A	17-01-2006
US 6147782	A	14-11-2000	US 6288804 B1	11-09-2001
US 2008239924	A1	02-10-2008	CN 101276607 A	01-10-2008
			JP 2008251131 A	16-10-2008
EP 1986187	A	29-10-2008	CN 101385083 A	11-03-2009
			JP 2007220206 A	30-08-2007
			WO 2007094456 A1	23-08-2007
			KR 20080096532 A	30-10-2008
EP 1515320	A	16-03-2005	NONE	
JP 2007193874	A	02-08-2007	NONE	
US 2005030875	A1	10-02-2005	JP 4258625 B2	30-04-2009
			JP 2005032309 A	03-02-2005