



US00D783793S

(12) **United States Design Patent**
Satou et al.

(10) **Patent No.:** **US D783,793 S**
(45) **Date of Patent:** **** Apr. 11, 2017**

- (54) **AIR PURIFIER**
- (71) Applicants: **Dai Satou**, Kusatsu (JP); **Wenqing Chen**, Shanghai (CN)
- (72) Inventors: **Dai Satou**, Kusatsu (JP); **Wenqing Chen**, Shanghai (CN)
- (73) Assignee: **DAIKIN INDUSTRIES LTD.**, Osaka-Shi, Osaka-Fu (JP)

D621,019 S *	8/2010	Kim	D23/356
D628,979 S *	12/2010	Yagi	D14/214
D657,037 S *	4/2012	Lo	D23/364
D704,321 S *	5/2014	Jardine	D23/365
D741,465 S *	10/2015	Satou	D23/364
D741,466 S *	10/2015	Satou	D23/364
D749,202 S *	2/2016	Satou	D23/364
D750,209 S *	2/2016	Satou	D23/364
D755,359 S *	5/2016	Rentschler	D23/355
D759,797 S *	6/2016	Farone	D23/355

(**) Term: **15 Years**
(21) Appl. No.: **29/534,987**

* cited by examiner
Primary Examiner — Kevin Rudzinski
(74) *Attorney, Agent, or Firm* — Manabu Kanesaka

(22) Filed: **Aug. 3, 2015**
(30) **Foreign Application Priority Data**

(57) **CLAIM**
The ornamental design for an air purifier, as shown and described.

Mar. 19, 2015 (JP) 2015-005946

(51) **LOC (10) Cl.** **23-04**

(52) **U.S. Cl.**
USPC **D23/364**

(58) **Field of Classification Search**
USPC D23/355, 356, 366, 364, 359
CPC . F24F 3/14; B05C 11/00; B65D 37/00; B65D 35/22

See application file for complete search history.

DESCRIPTION

FIG. 1 is a perspective view of an air purifier showing our new design;
 FIG. 2 is a front view thereof;
 FIG. 3 is a rear view thereof;
 FIG. 4 is a plan view thereof;
 FIG. 5 is a bottom view thereof;
 FIG. 6 is a left side view thereof;
 FIG. 7 is a right side view thereof; and,
 FIG. 8 is a cross-sectional view thereof along the line 8-8 in FIG. 2.

The broken lines depict portions of the air purifier that form no part of claimed design.

(56) **References Cited**
U.S. PATENT DOCUMENTS

D602,019 S * 10/2009 Wang D14/356
 D606,184 S * 12/2009 Chiu D23/359

1 Claim, 6 Drawing Sheets

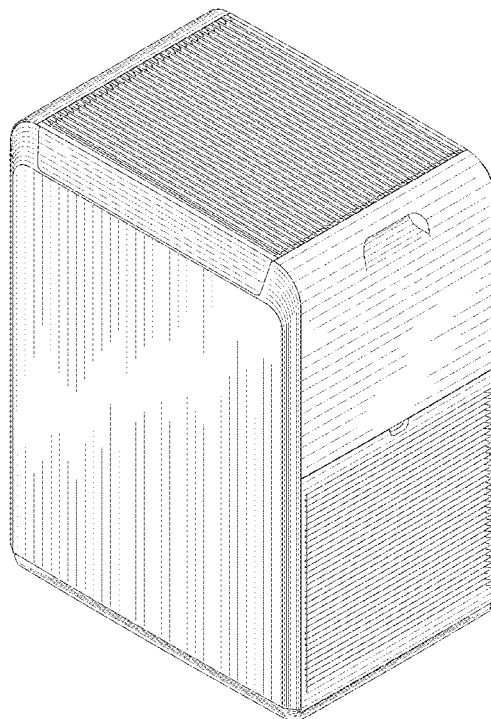


Fig. 1

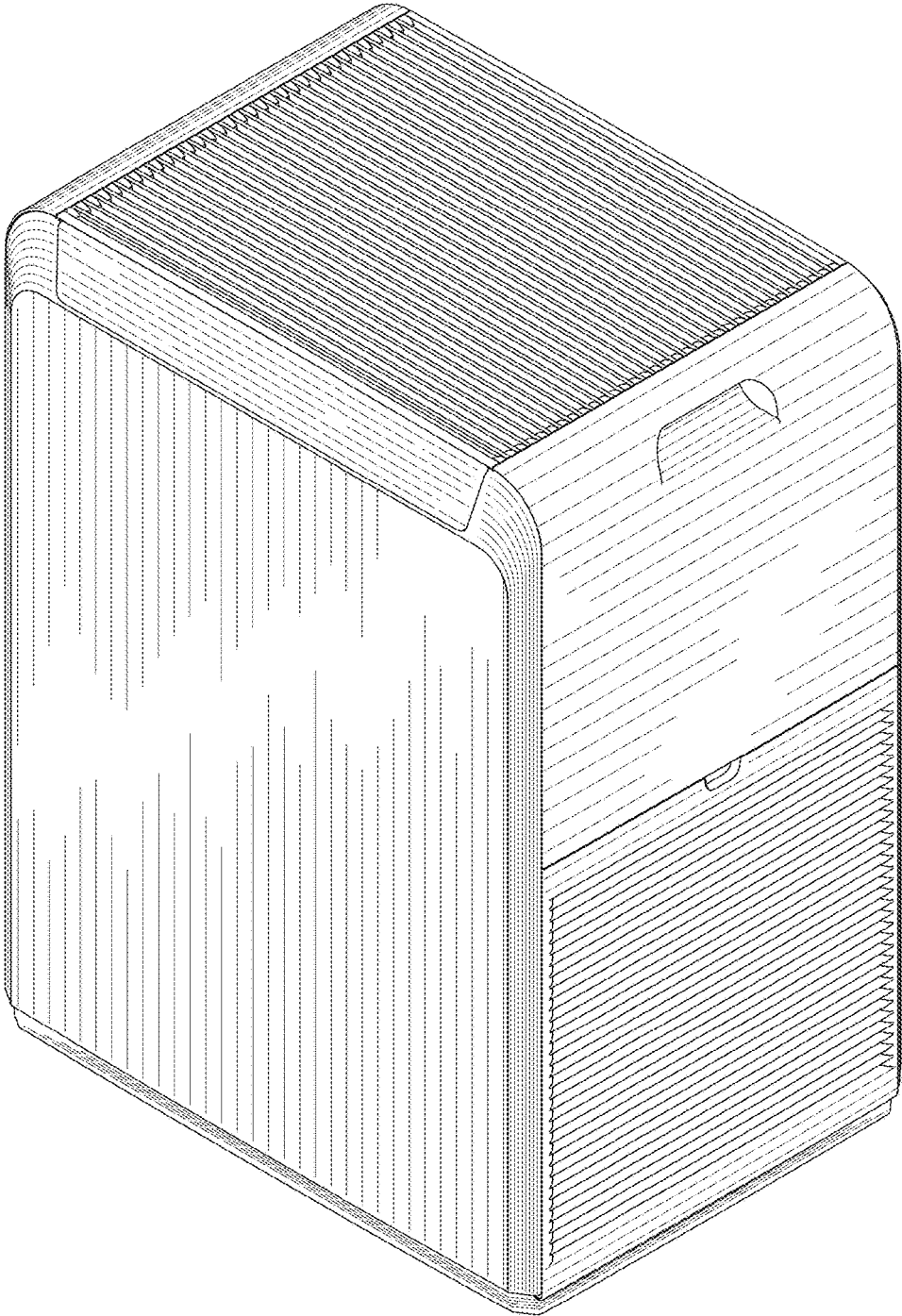
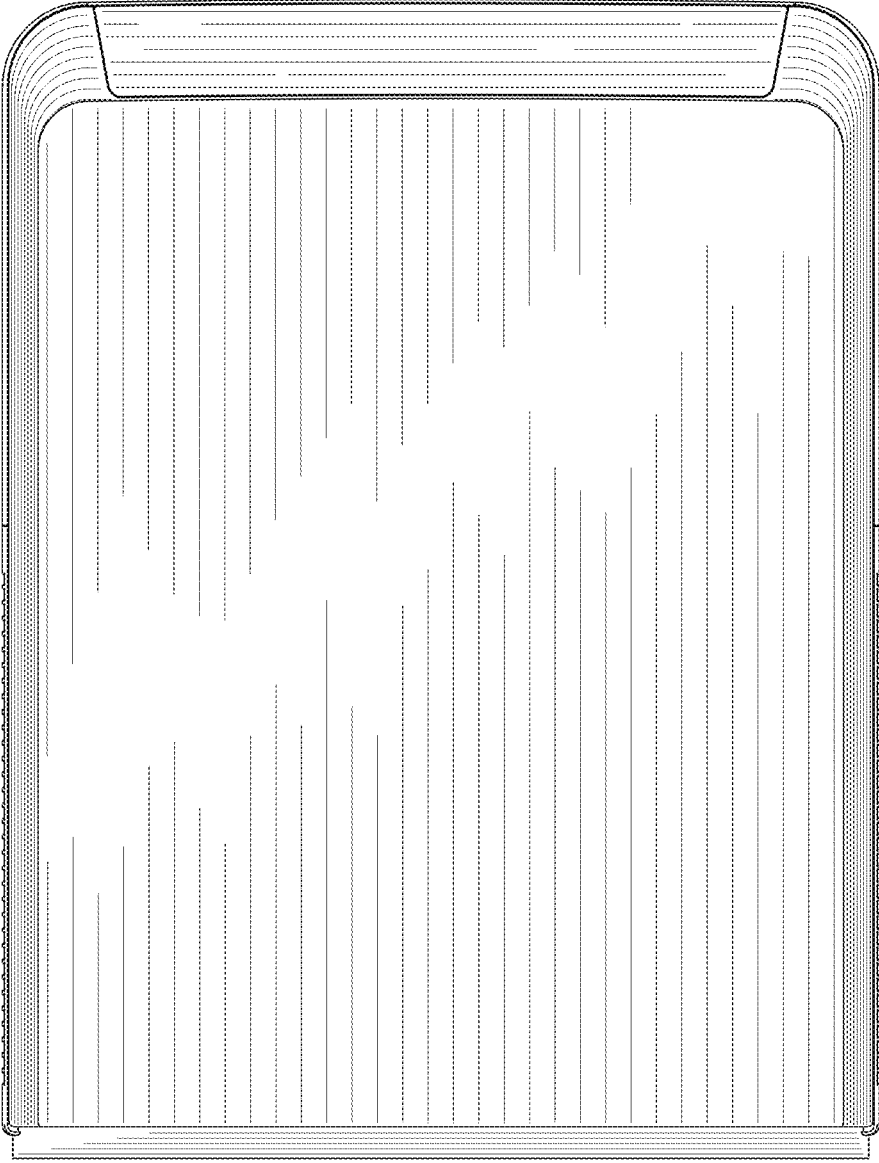


Fig. 2

8 ←



8 ←

Fig.3

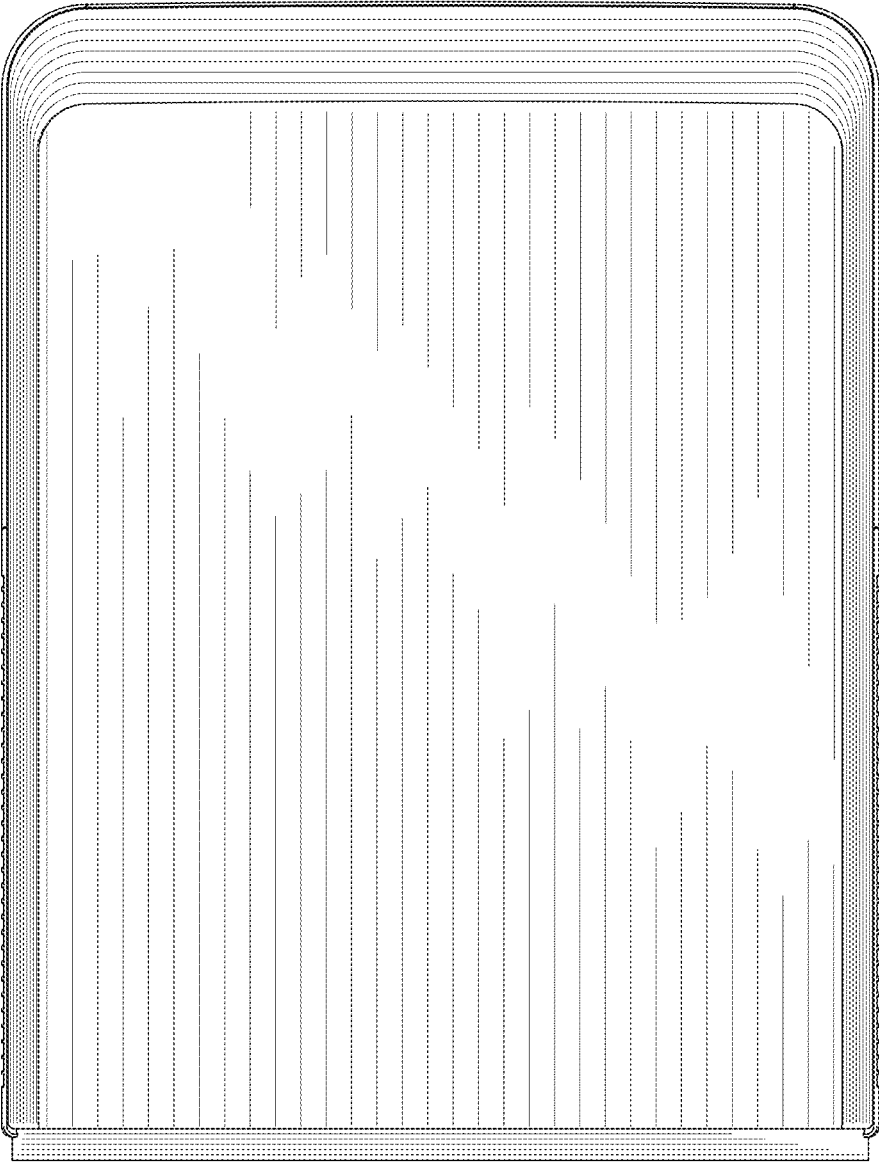


Fig.4

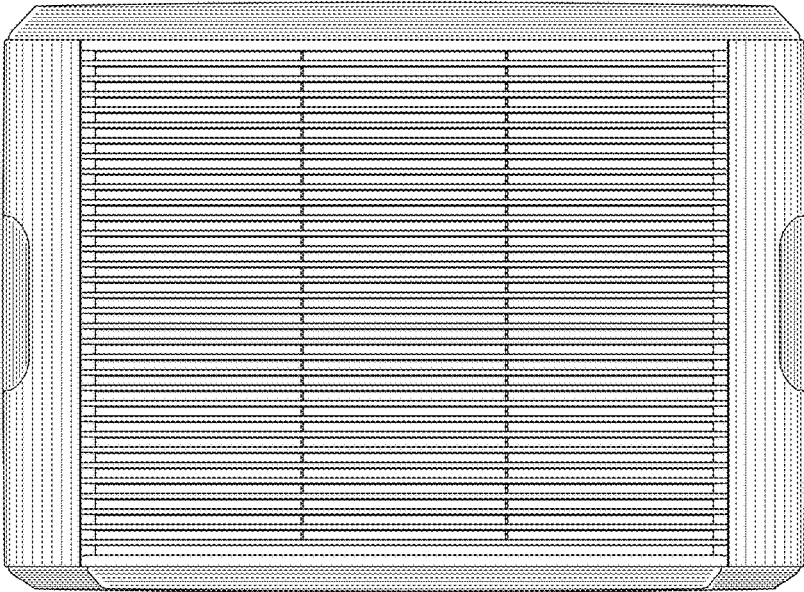


Fig.5

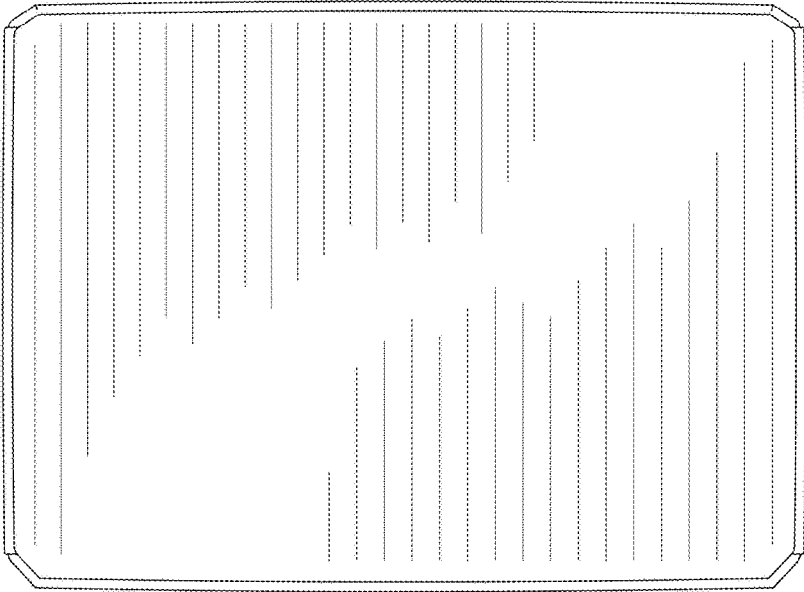


Fig.6

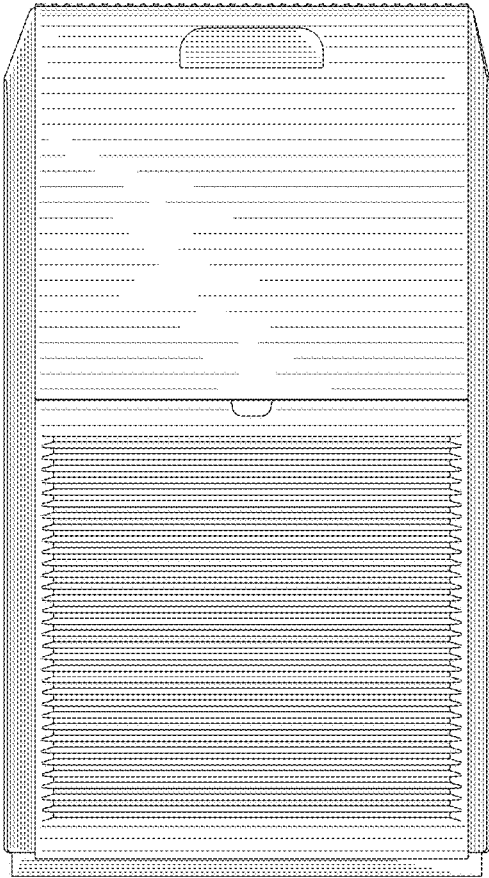


Fig.7

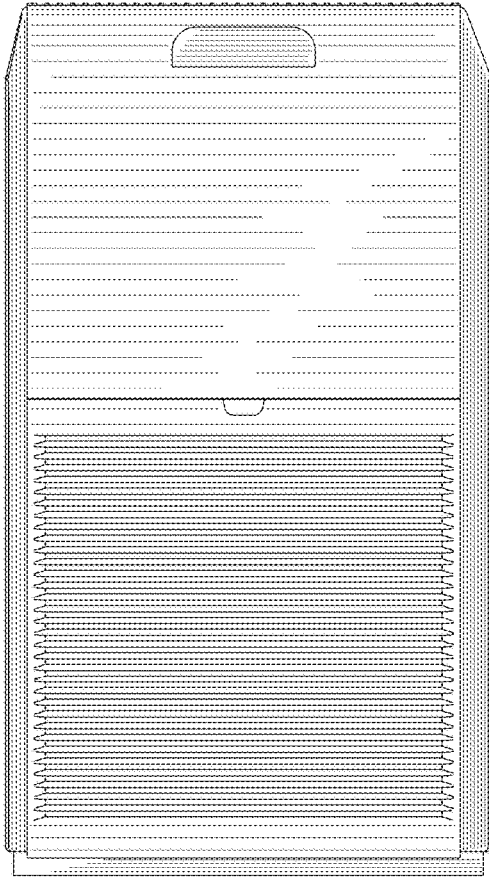


Fig. 8

