



US00D526953S

(12) **United States Design Patent**  
**Hall et al.**

(10) **Patent No.:** **US D526,953 S**

(45) **Date of Patent:** **\*\* Aug. 22, 2006**

(54) **CUP HOLDER**

(75) Inventors: **Phillip J. Hall**, Denton, TX (US);  
**Louis D. Heilaneh**, Lewisville, TX  
(US); **Kunjithapadam Raghavendran**,  
Denton, TX (US)

(73) Assignee: **PACCAR Inc**, Bellevue, WA (US)

(\*\*) Term: **14 Years**

(21) Appl. No.: **29/225,776**

(22) Filed: **Mar. 18, 2005**

(51) **LOC (8) Cl.** ..... **12-16**

(52) **U.S. Cl.** ..... **D12/419**

(58) **Field of Classification Search** ..... D12/415-419,  
D12/421-423, 195, 192; 296/37.1, 37.6,  
296/37.8, 37.13-37.16; 224/275-276, 42.11,  
224/926, 539-543; 280/750-752, 770, 762;  
297/411.26, 411.23; 180/90; D15/28; D7/619.1-625,  
D7/509, 523

See application file for complete search history.

(56) **References Cited**

**U.S. PATENT DOCUMENTS**

D371,538 S \* 7/1996 Ferrigan ..... D12/419

D375,719 S \* 11/1996 Schlangen et al. .... D12/419  
D444,120 S \* 6/2001 Smith ..... D12/419  
D447,998 S \* 9/2001 Pfeiffer et al. .... D12/415  
D448,001 S \* 9/2001 Pfeiffer et al. .... D12/419  
D490,044 S \* 5/2004 Smith ..... D12/419

\* cited by examiner

*Primary Examiner*—Stacia Cadmus

(74) *Attorney, Agent, or Firm*—Sidley Austin LLP

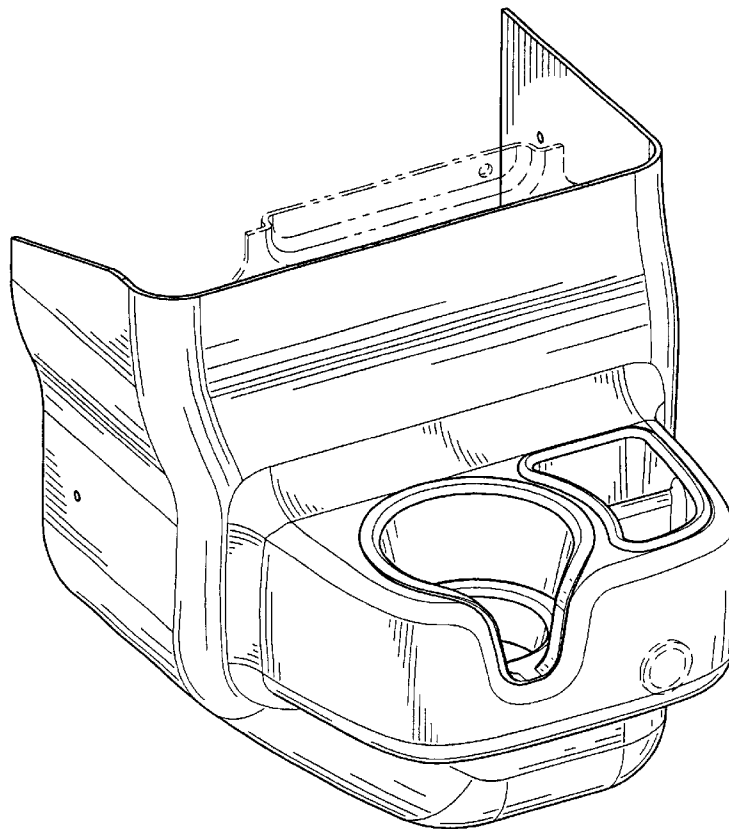
(57) **CLAIM**

The ornamental design for a cup holder, as shown and described.

**DESCRIPTION**

FIG. 1 is an oblique view of a cup holder showing our new design;  
FIG. 2 is a front view of the cup holder shown in FIG. 1;  
FIG. 3 is a right side view of the cup holder shown in FIG. 1;  
FIG. 4 is a left side view of the cup holder shown in FIG. 1;  
FIG. 5 is a rear view of the cup holder shown in FIG. 1;  
FIG. 6 is a top view of the cup holder shown in FIG. 1; and  
FIG. 7 is a bottom view of the cup holder shown in FIG. 1.  
The broken line showing part of the dashboard in FIG. 1 depicts environment and is not part of the claimed design.

**1 Claim, 4 Drawing Sheets**



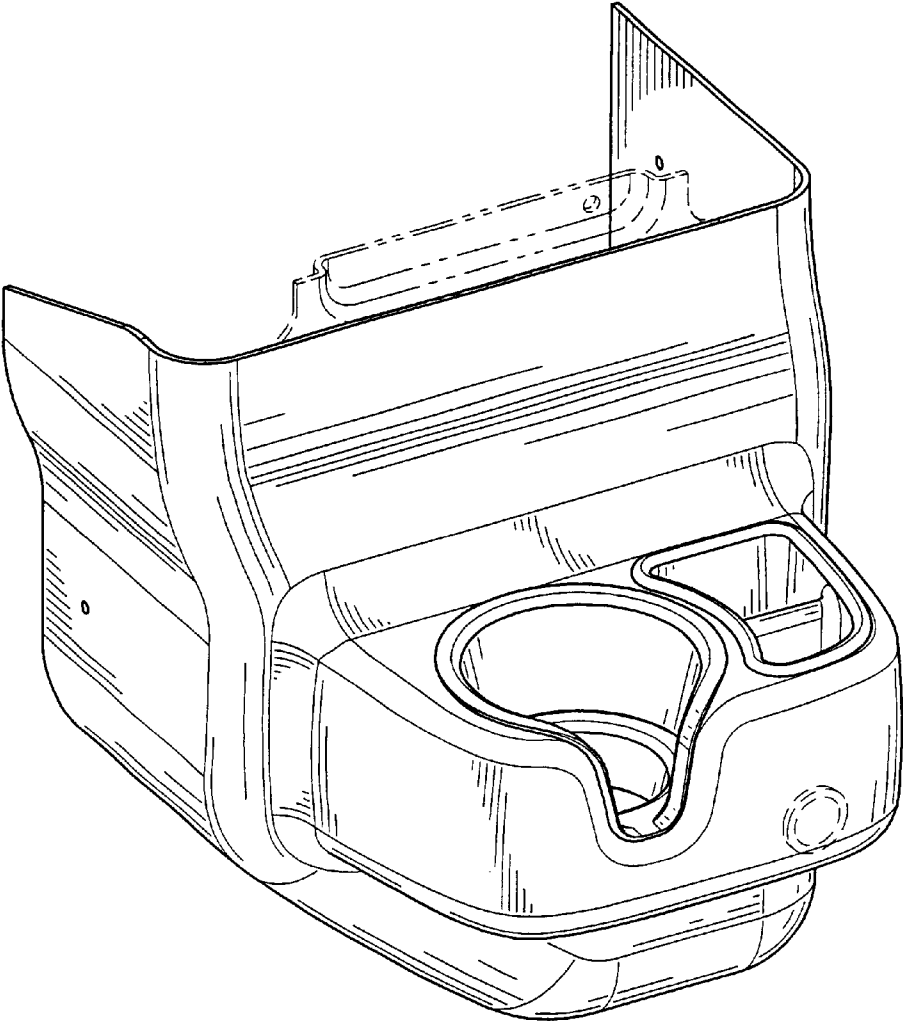


FIG. 1

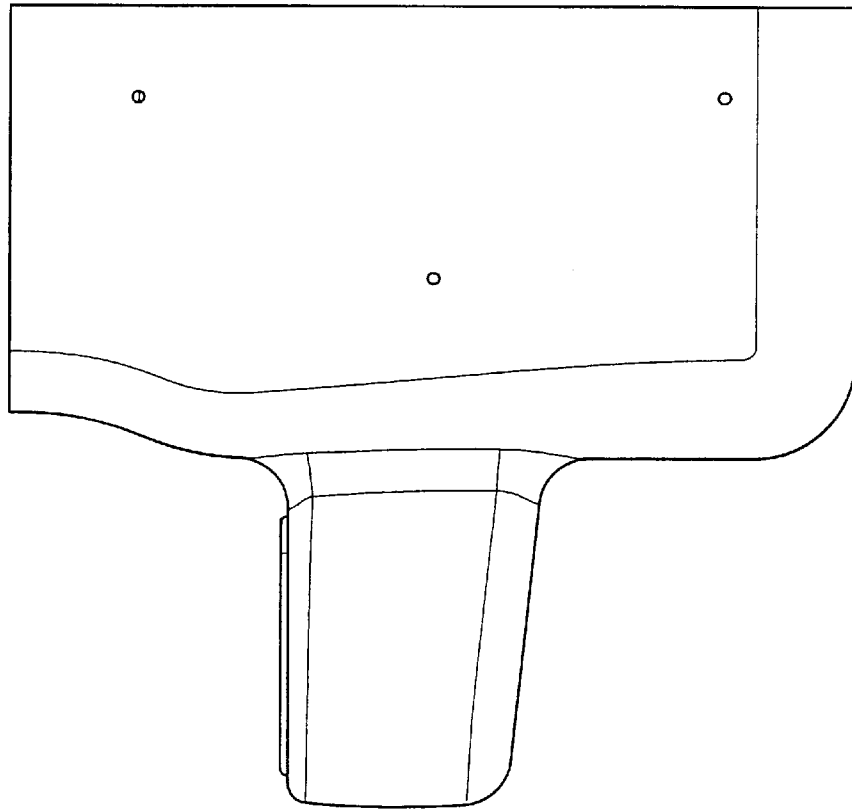


FIG. 3

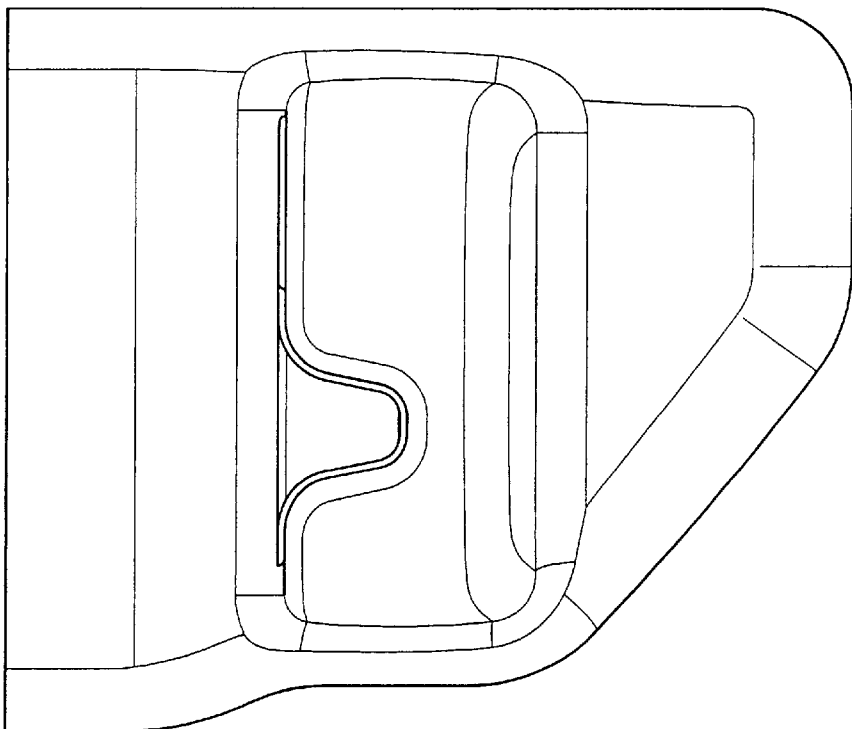


FIG. 2

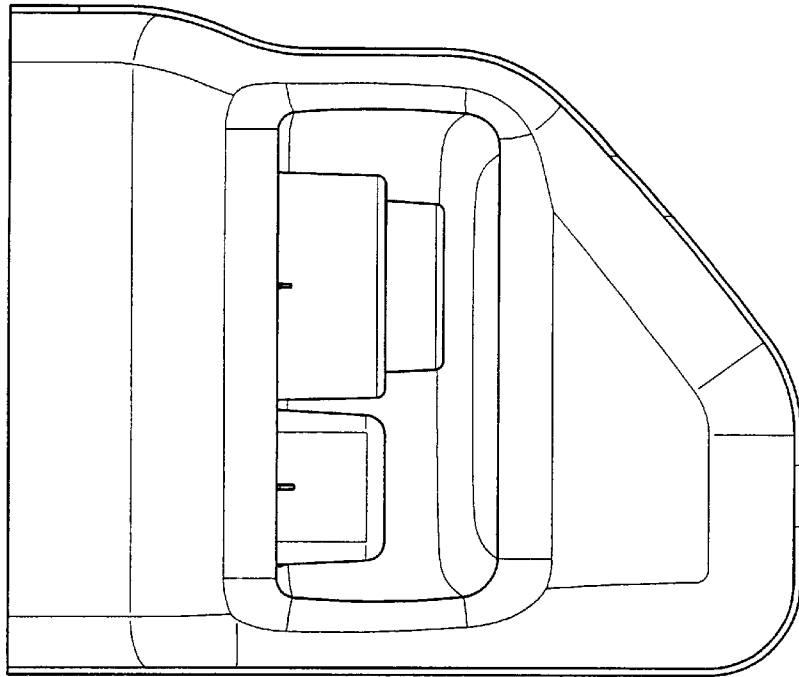


FIG. 5

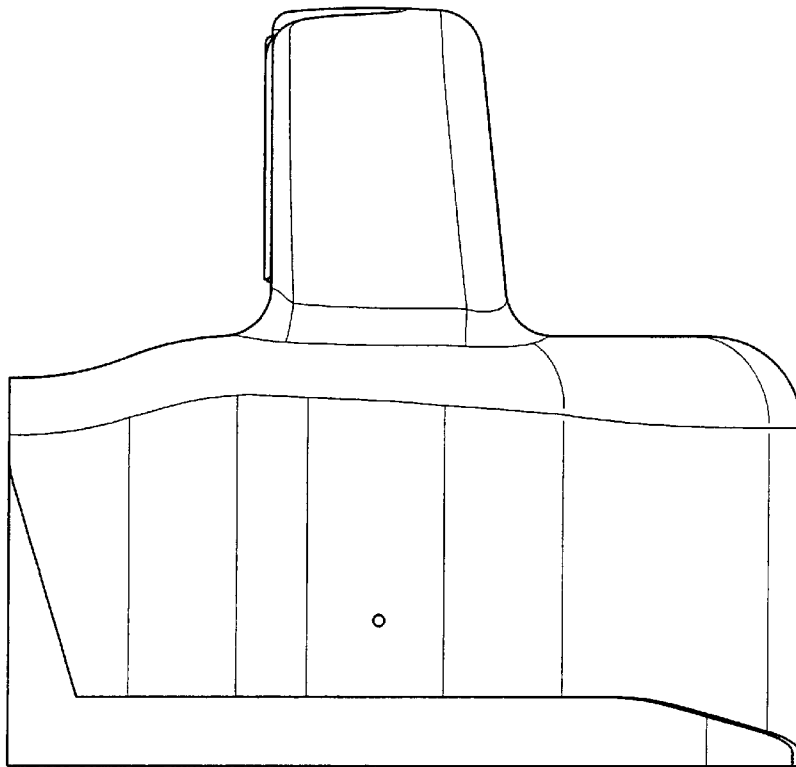


FIG. 4

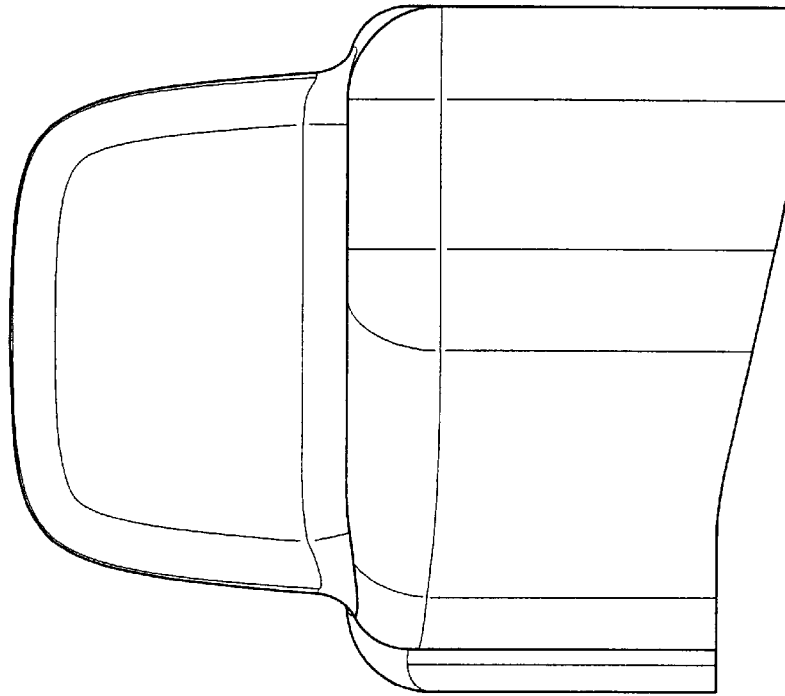


FIG. 7

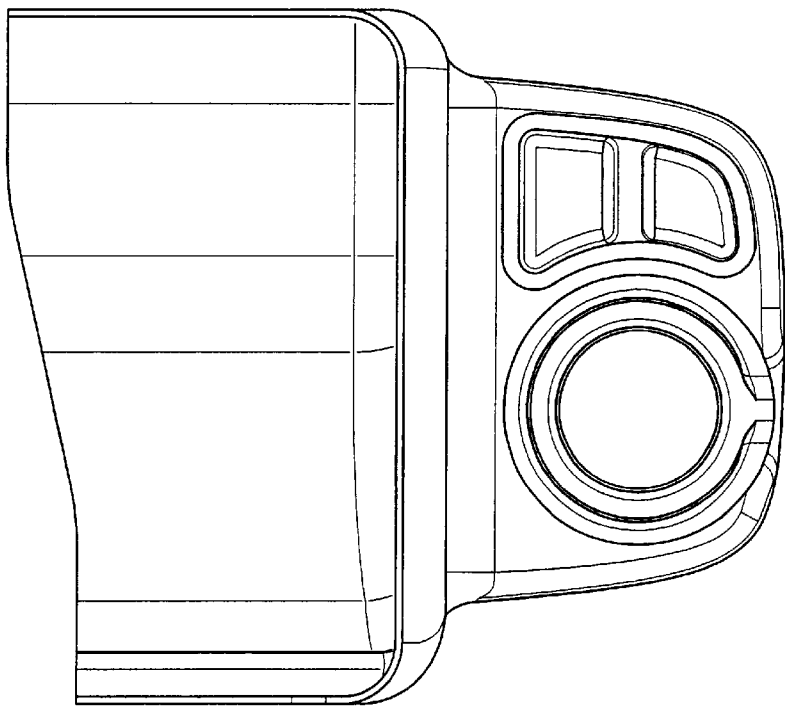


FIG. 6