



(12) **United States Design Patent**
Cooper et al.

(10) **Patent No.:** **US D1,069,080 S**
(45) **Date of Patent:** **** Apr. 1, 2025**

(54) **SCENT DISPENSER**

(71) Applicant: **Pura Scents, Inc.**, Pleasant Grove, UT (US)

(72) Inventors: **Christopher Michael Cooper**, Saratoga Springs, UT (US); **Hannah Trimble**, Salt Lake City, UT (US); **Juan Carlos Altuna**, South Jordan, UT (US); **Kenneth Frei**, Lehi, UT (US); **Jared Raulston**, Pleasant Grove, UT (US); **Celeste Chubak**, West Valley City, UT (US); **Trevor Davis**, American Fork, UT (US)

(73) Assignee: **Pura Scents, Inc.**, Pleasant Grove, UT (US)

(**) Term: **15 Years**

(21) Appl. No.: **29/916,624**

(22) Filed: **Nov. 14, 2023**

(51) **LOC (15) Cl.** **23-04**

(52) **U.S. Cl.**

USPC **D23/366**

(58) **Field of Classification Search**

USPC D14/155, 188, 204, 210, 213, 214, 215, D14/216, 228, 348, 358; D23/213, 214, D23/223, 226, 238, 241, 324, 325, D23/332-336, 341, 342, 351-370, 379, D23/382, 393; D26/26, 49, 51, 110; D28/91.1; D12/415, 420; D11/81, 131.1, D11/143-154; D7/509, 532, 602, 608, D7/705, 619.1, 622, 624.1, 630; D32/52; D9/504; D13/108

CPC ... A61L 9/00; A61L 9/03; A61L 9/032; A61L 9/035; A61L 9/04; A61L 9/05; A61L 9/12; A61L 9/14; A61L 9/20; A61L 9/22; A61L 9/012; A61L 9/015; A61L 9/048; A61L 9/122; A61L 9/127; A61L 9/205; A61L 2209/11; A61L 2209/14; A61L 2209/133; A61L 2209/134; F24F 1/02; F24F 1/0007; F24F 1/0067; F24F 1/0071;

F24F 1/008; F24F 1/0083; F24F 1/0087; F24F 1/0328; F24F 1/0355; F24F 1/0358; F24F 5/00; F24F 6/00; F24F 6/02; F24F 6/12; F24F 7/003; F24F 8/00; F24F 8/10; F24F 8/20; F24F 8/30; F24F 8/40; F24F 8/50; F24F 8/183; F24F 13/082; F24F 13/084; F24F 13/085; Y10S 261/03; Y10S 261/04; Y10S

(Continued)

(56) **References Cited**

U.S. PATENT DOCUMENTS

D269,699 S * 7/1983 May D23/366
D373,626 S * 9/1996 Dente D23/366

(Continued)

Primary Examiner — Gino Colan

Assistant Examiner — David OBrien

(74) *Attorney, Agent, or Firm* — VLP Law Group LLP

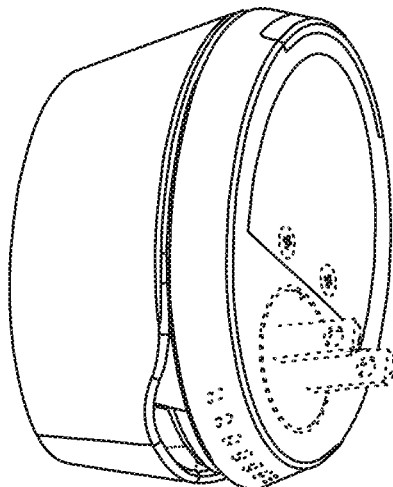
(57) **CLAIM**

The ornamental design for a scent dispenser, as shown and described.

DESCRIPTION

FIG. 1 is a front view showing the new design.
FIG. 2 is a back view showing the new design.
FIG. 3 is a left side view showing the new design.
FIG. 4 is a right side view showing the new design.
FIG. 5 is a top view showing the new design.
FIG. 6 is a bottom view showing the new design.
FIG. 7 is top, left, front perspective view showing the new design with the front cover removed for ease of illustration; and,
FIG. 8 is a bottom, right perspective view showing the new design.
Within the drawings, the dashed lines show unclaimed portions of the scent dispenser, and form no part of the claimed design.

1 Claim, 8 Drawing Sheets



(58) **Field of Classification Search**

CPC 261/17; Y10S 261/31; Y10S 261/42; Y10S
261/43; Y10S 261/65; Y10S 261/88;
Y10S 261/89; A61G 17/00; A61G 17/08;
B65D 83/30; A47G 23/03; A47G
23/0216; A47G 2019/2277; A47G 19/22;
A47G 19/2205; A47G 19/2211; A47G
19/2288; B31F 1/0038

See application file for complete search history.

(56) **References Cited**

U.S. PATENT DOCUMENTS

D451,180 S *	11/2001	Hoare	D23/360
D697,046 S *	1/2014	Hanna	D14/204
D774,455 S *	12/2016	Kim	D13/108
D786,200 S *	5/2017	Lagerstedt	D14/358
D809,116 S *	1/2018	Jones	D23/366
D829,242 S *	9/2018	Laine	D14/216
D874,630 S *	2/2020	Lee	D23/366
D1,023,362 S *	4/2024	Chen	D26/26
D1,026,194 S *	5/2024	Altuna	D23/366

* cited by examiner

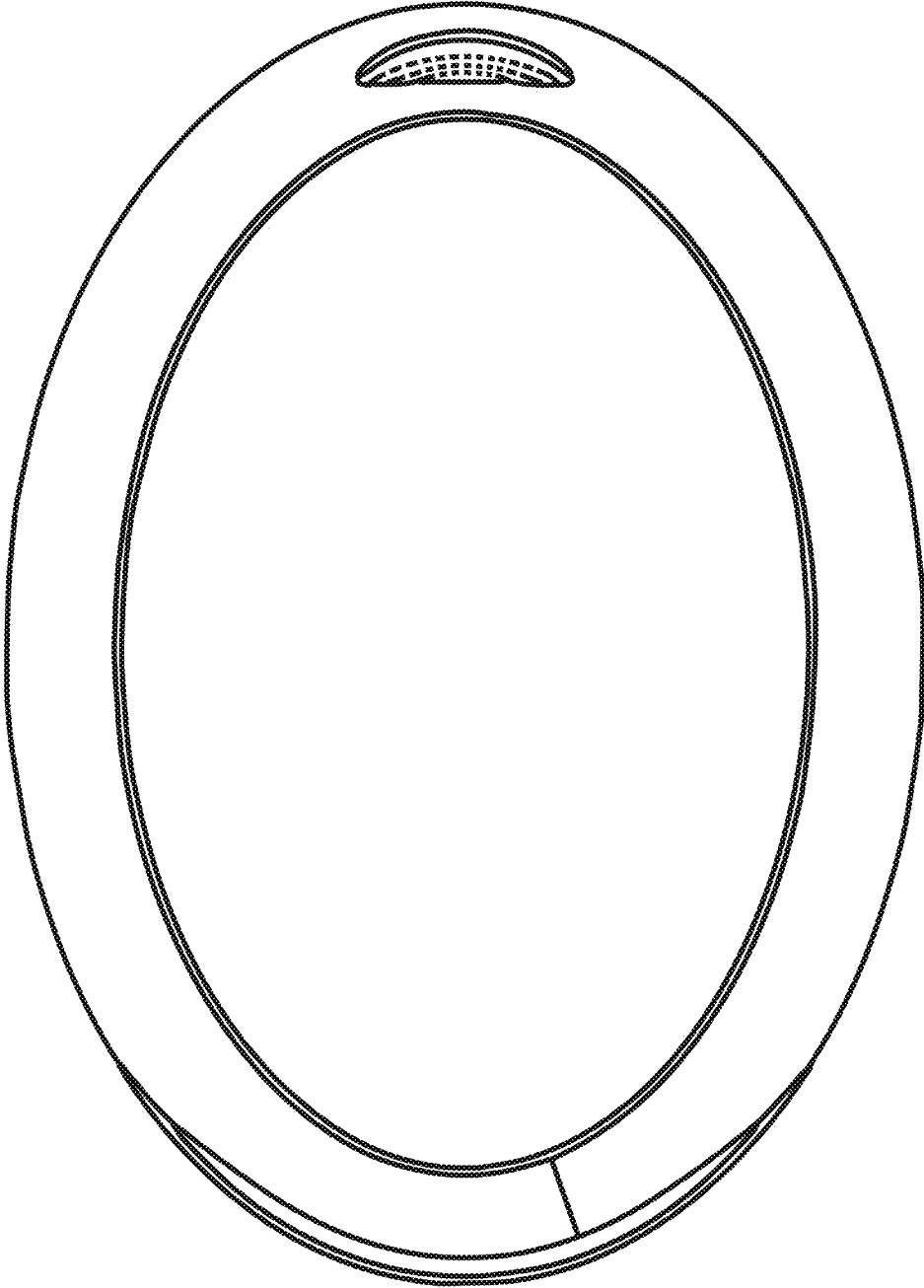


Fig. 1

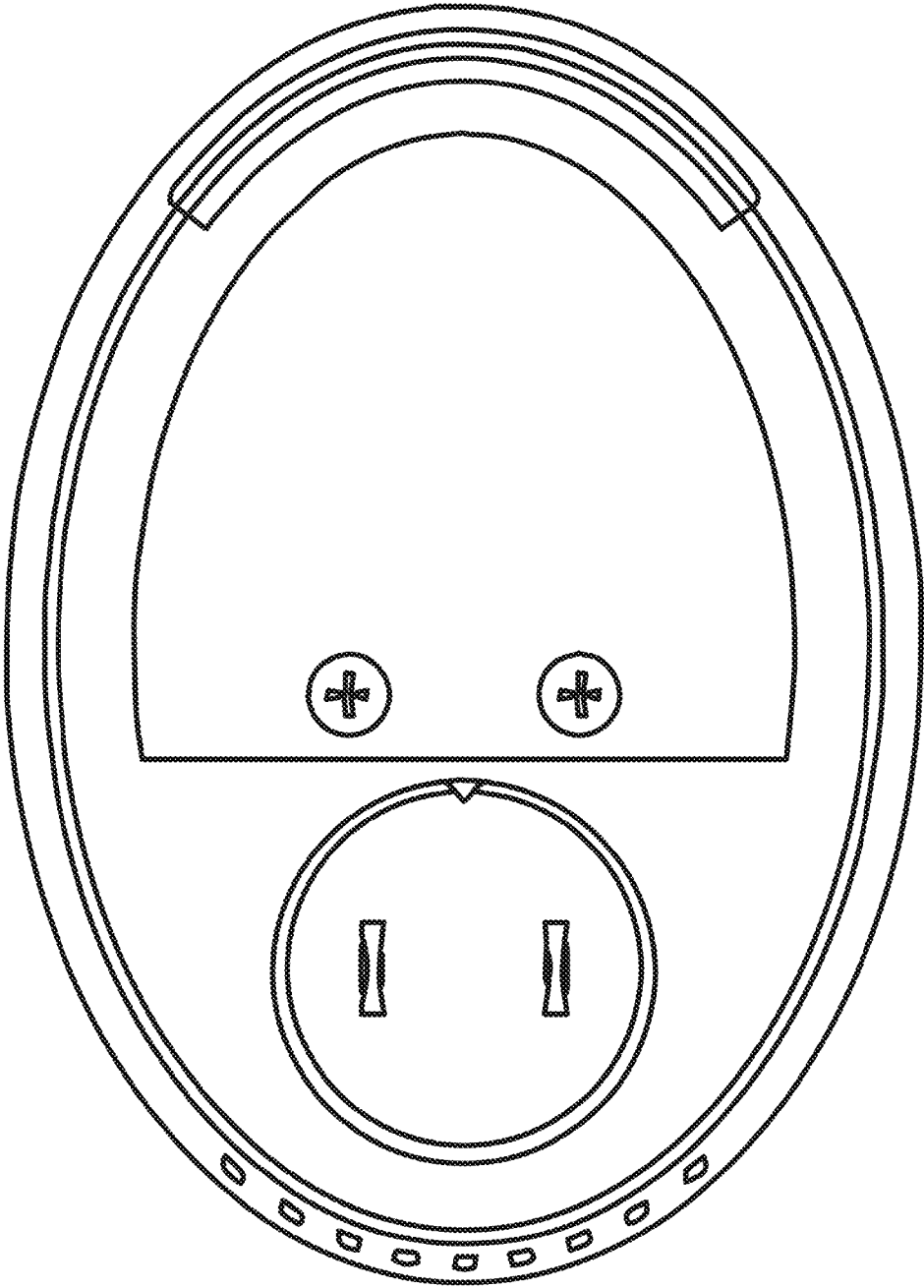


Fig. 2

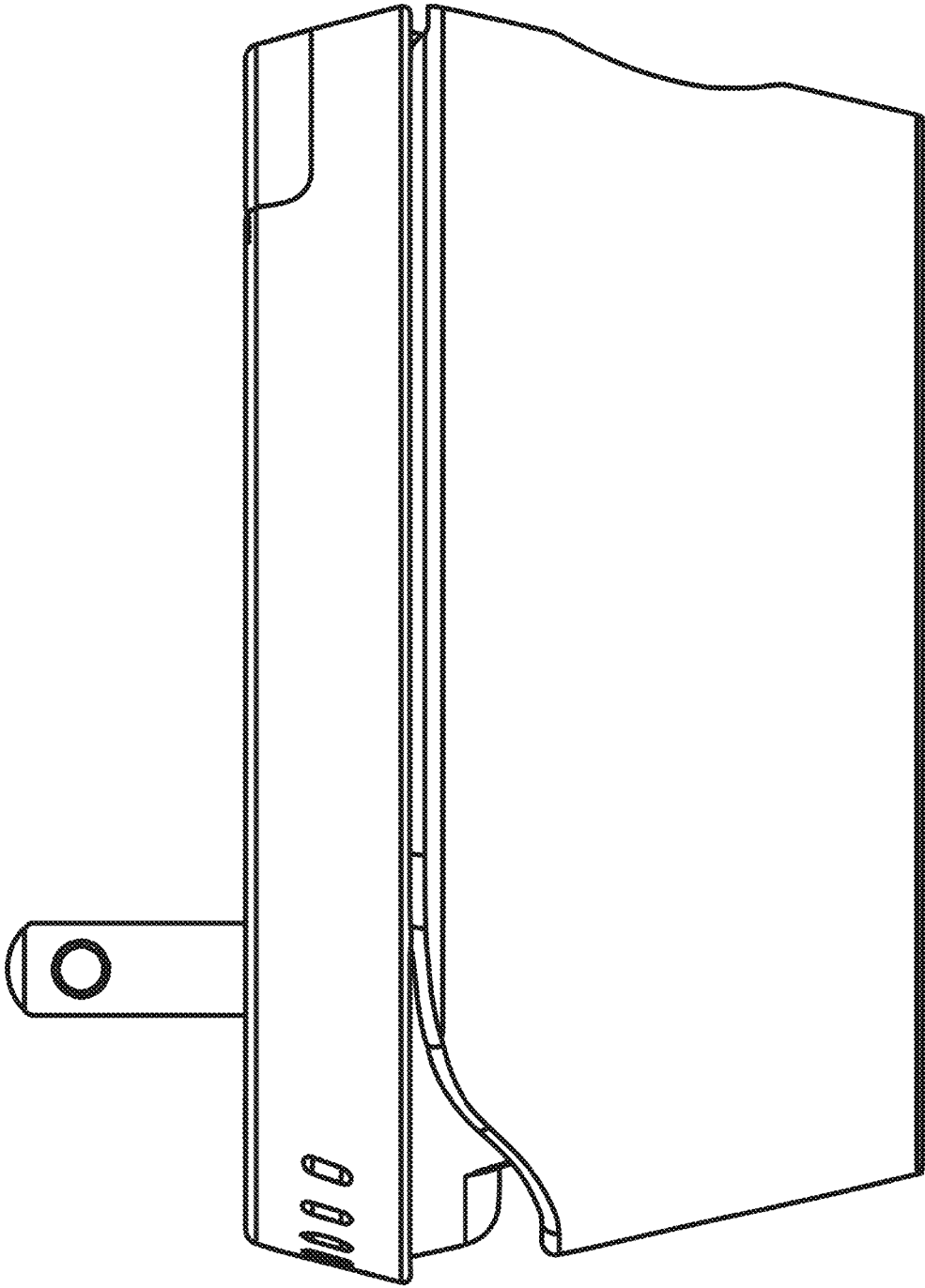


Fig. 3

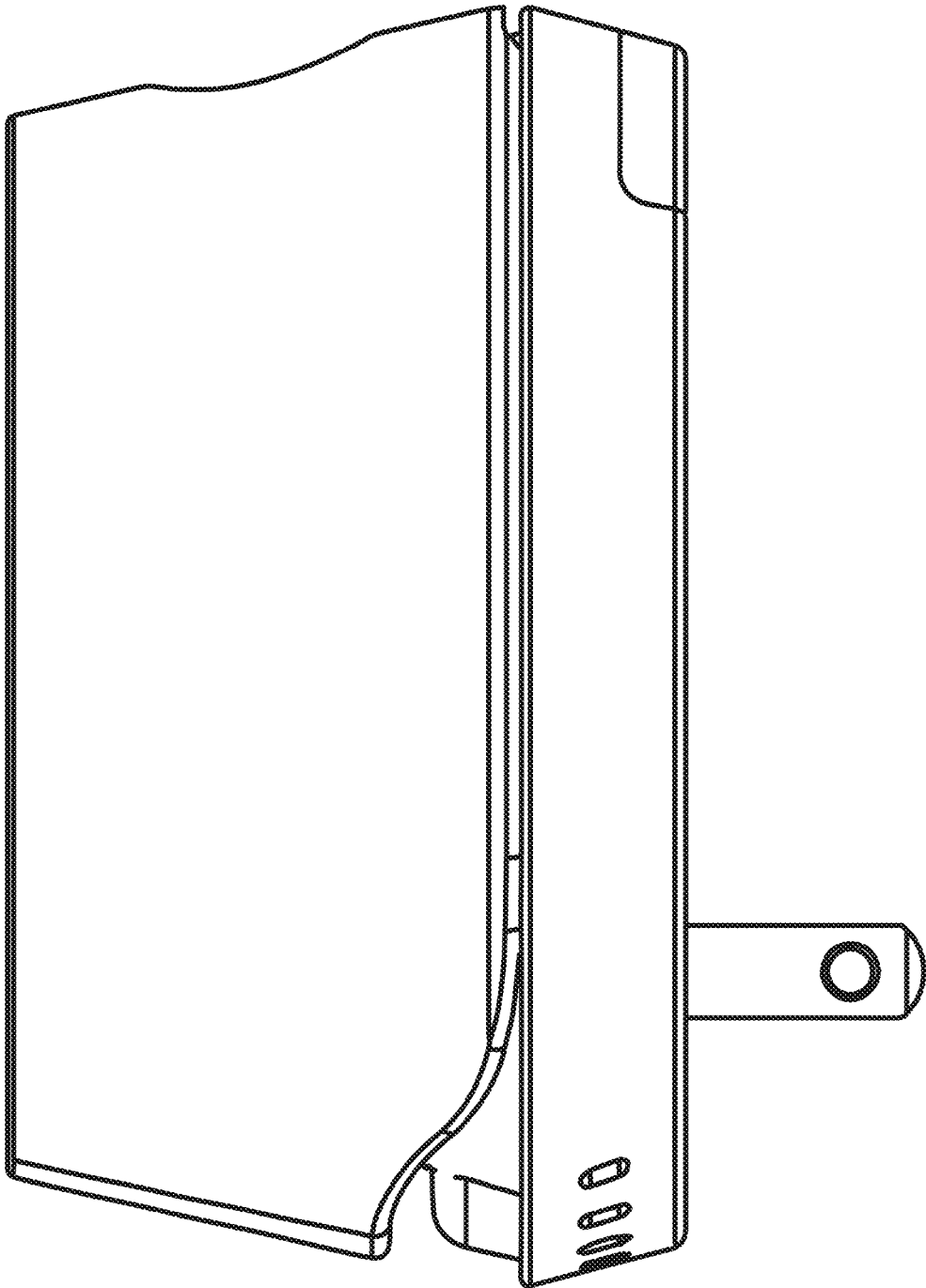


Fig. 4

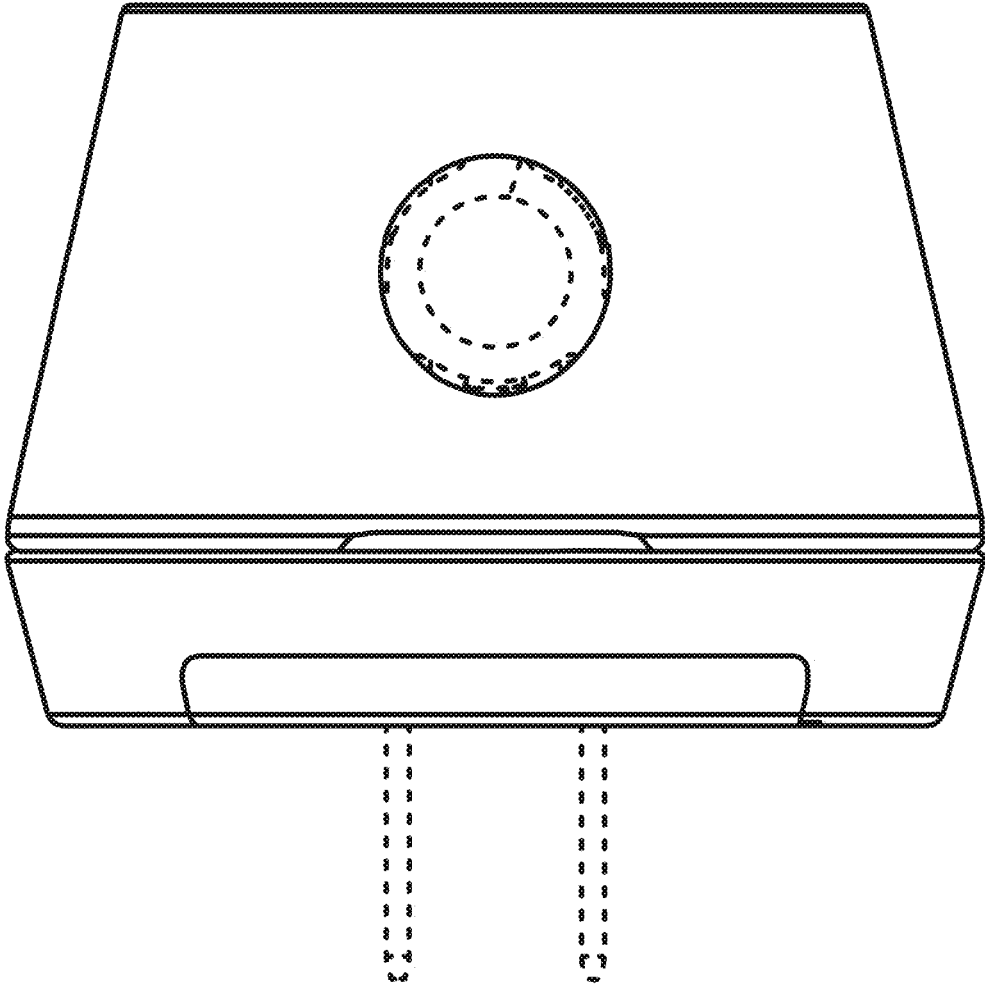


Fig. 5

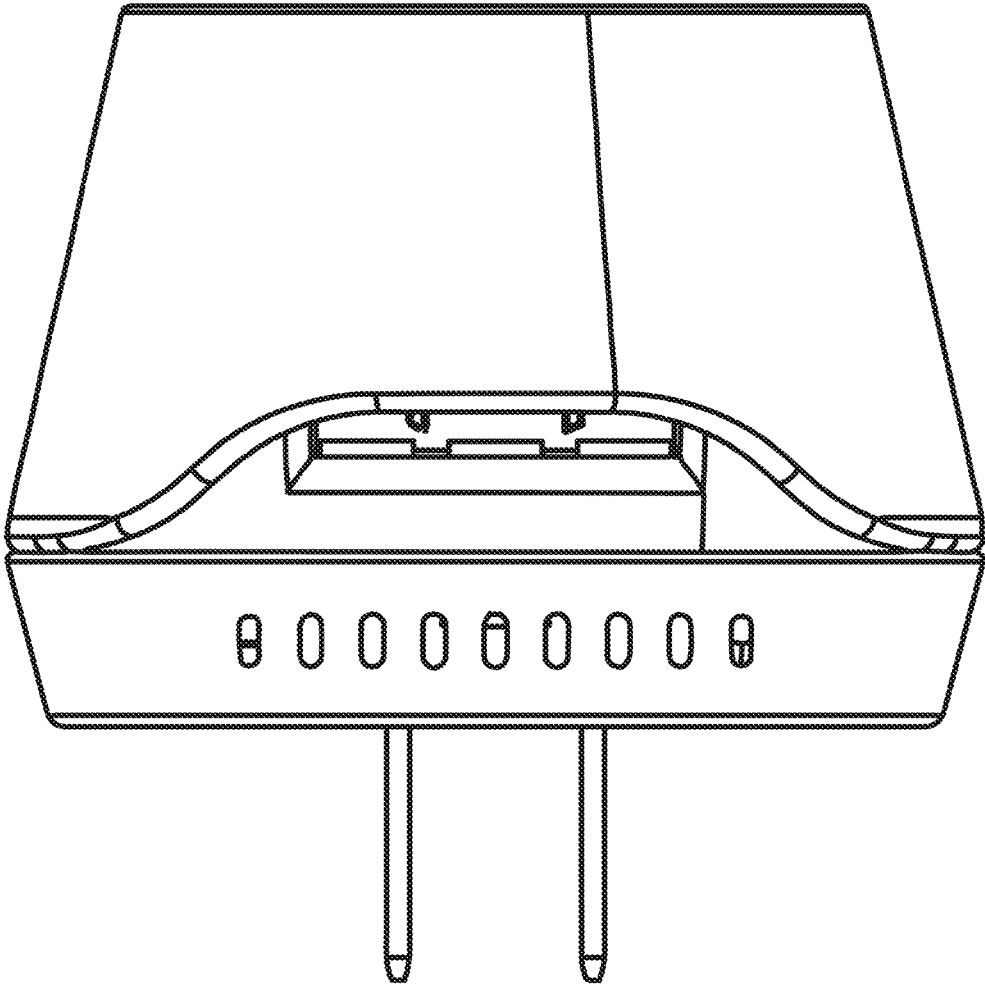


Fig. 6

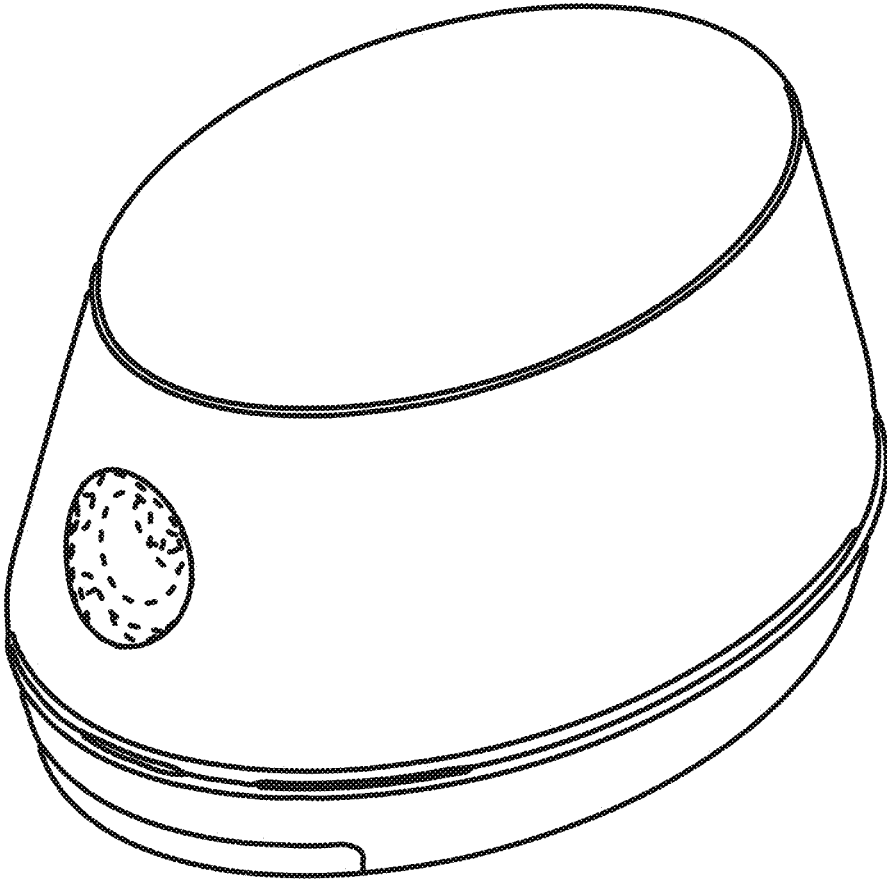


Fig. 7

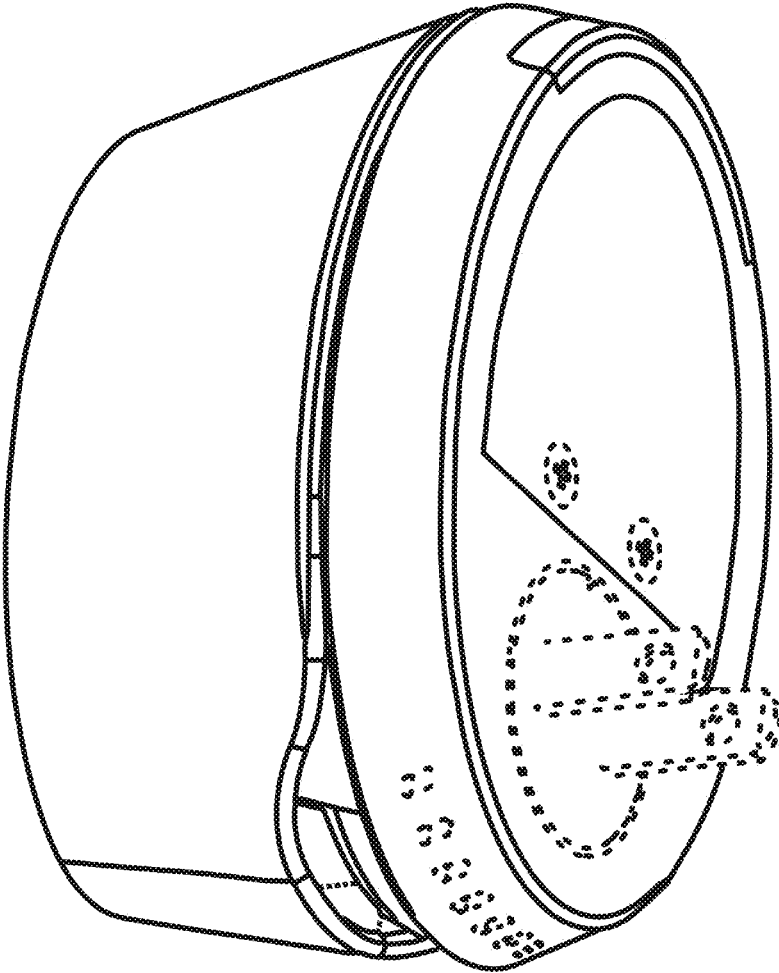


Fig. 8