

Moshier

- [54] **COMBINED HEATING AND LIGHTING FIXTURE**
- [75] Inventor: **William R. Moshier**, Independence, Mo.
- [73] Assignee: **Mabel W. Zellers**, Reading, Pa.
- [**] Term: **14 Years**
- [21] Appl. No.: **119,698**
- [22] Filed: **Feb. 8, 1980**
- [51] Int. Cl. **D23—03; D26—05**
- [52] U.S. Cl. **D23/75; D26/51; D26/76**
- [58] **Field of Search** **D26/51, 24, 72, 75, D26/76, 77, 78; D23/75; 362/217, 218, 220, 222, 223, 224, 227, 236, 235, 362, 363, 92; 219/220**

[56] **References Cited**
U.S. PATENT DOCUMENTS

D. 122,236	8/1940	Scribner	D26/76
D. 168,974	3/1953	Spaulding	D26/76
D. 173,255	10/1954	Brooks et al.	D26/78 X
D. 186,129	9/1959	Spaulding	D26/76

2,946,880	7/1960	Picha et al.	D26/77 X
3,688,105	8/1972	Governale	362/92

OTHER PUBLICATIONS

Architectural Record, 3/63, p. 301, "Prismaround", Fluorescent Fixture.

Primary Examiner—Susan J. Lucas
Attorney, Agent, or Firm—Neil F. Markva

CLAIM

[57] The ornamental design for a combined heating and lighting fixture, as shown and described.

DESCRIPTION

FIG. 1 is a perspective view of a combined heating and lighting fixture showing my new design;
FIG. 2 is a bottom plan view thereof on an enlarged scale, with the heating panels and translucent cover omitted for purposes of disclosure;
FIG. 3 is a bottom plan view thereof on an enlarged scale with the panels and cover in place;
FIG. 4 is a side elevational view thereof of an enlarged scale;
FIG. 5 is an end elevational view thereof on an enlarged scale.

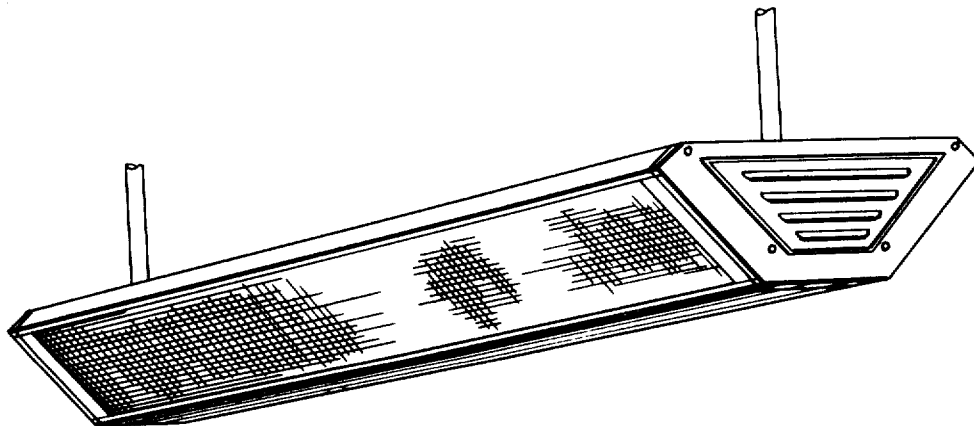


Fig. 1

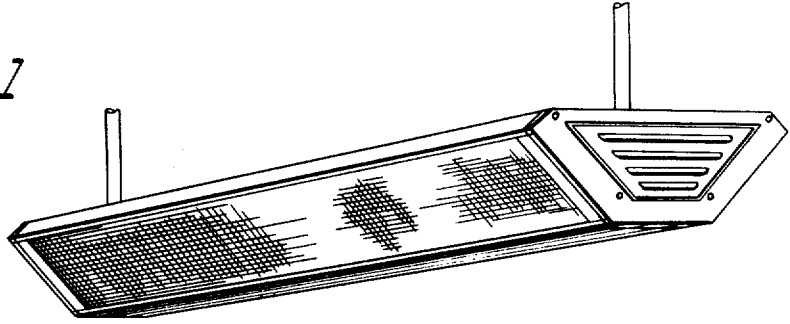


Fig. 2

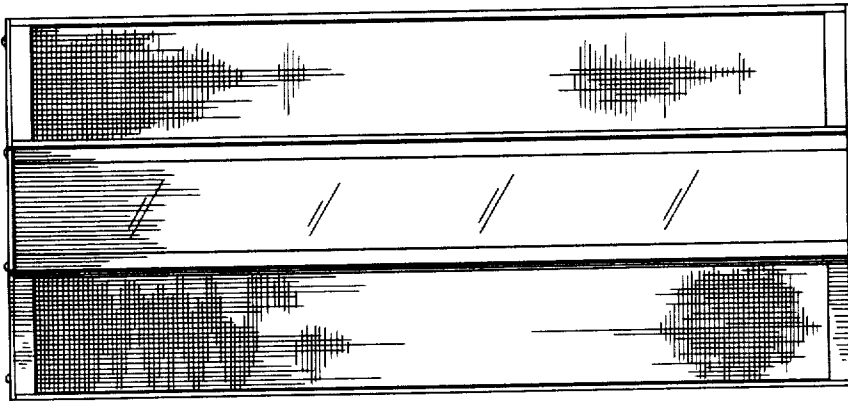
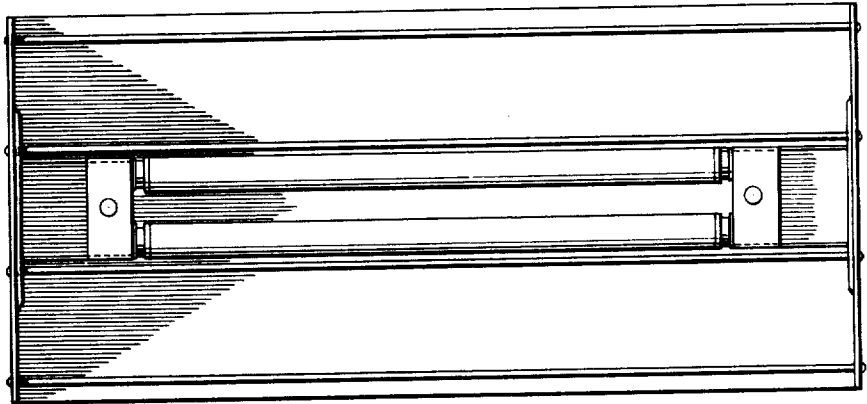


Fig. 3

Fig. 4

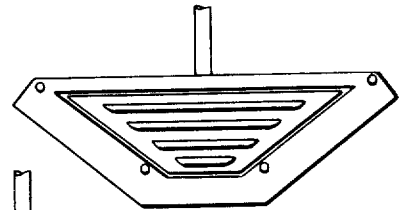
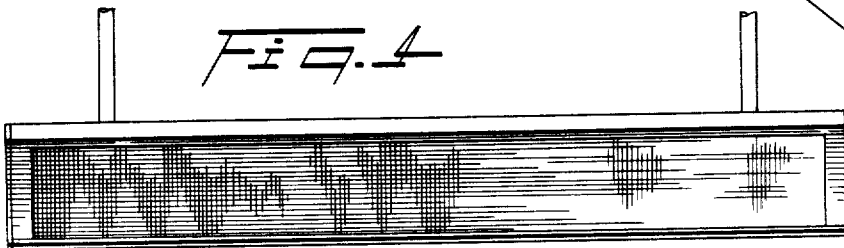


Fig. 5