



(43) International Publication Date
18 September 2014 (18.09.2014)

- (51) International Patent Classification:
A24F 47/00 (2006.01) *A24B 15/16* (2006.01)
- (21) International Application Number:
PCT/EP2014/054950
- (22) International Filing Date:
13 March 2014 (13.03.2014)
- (25) Filing Language: English
- (26) Publication Language: English
- (30) Priority Data:
13305284.5 13 March 2013 (13.03.2013) EP
61/779,081 13 March 2013 (13.03.2013) US
- (71) Applicant: TAVERNE, Georges [FR/FR]; Les Cotinières,
F-41800 Villedieu Le Chateau (FR).
- (72) Inventor; and
- (71) Applicant : GOURDIN-BERTIN, Simon [FR/FR]; 29
rue Girard de Vasson, F-37100 Tours (FR).
- (74) Agents: STARCK-LOUDES, Anne-Caroline et al.;
Becker & Associates, 25 rue Louis le Grand, F-75002 Paris
(FR).
- (81) Designated States (unless otherwise indicated, for every
kind of national protection available): AE, AG, AL, AM,
AO, AT, AU, AZ, BA, BB, BG, BH, BN, BR, BW, BY,
BZ, CA, CH, CL, CN, CO, CR, CU, CZ, DE, DK, DM,

DO, DZ, EC, EE, EG, ES, FI, GB, GD, GE, GH, GM, GT,
HN, HR, HU, ID, IL, IN, IR, IS, JP, KE, KG, KN, KP, KR,
KZ, LA, LC, LK, LR, LS, LT, LU, LY, MA, MD, ME,
MG, MK, MN, MW, MX, MY, MZ, NA, NG, NI, NO, NZ,
OM, PA, PE, PG, PH, PL, PT, QA, RO, RS, RU, RW, SA,
SC, SD, SE, SG, SK, SL, SM, ST, SV, SY, TH, TJ, TM,
TN, TR, TT, TZ, UA, UG, US, UZ, VC, VN, ZA, ZM,
ZW.

- (84) Designated States (unless otherwise indicated, for every
kind of regional protection available): ARIPO (BW, GH,
GM, KE, LR, LS, MW, MZ, NA, RW, SD, SL, SZ, TZ,
UG, ZM, ZW), Eurasian (AM, AZ, BY, KG, KZ, RU, TJ,
TM), European (AL, AT, BE, BG, CH, CY, CZ, DE, DK,
EE, ES, FI, FR, GB, GR, HR, HU, IE, IS, IT, LT, LU, LV,
MC, MK, MT, NL, NO, PL, PT, RO, RS, SE, SI, SK, SM,
TR), OAPI (BF, BJ, CF, CG, CI, CM, GA, GN, GQ, GW,
KM, ML, MR, NE, SN, TD, TG).

Published:

- with international search report (Art. 21(3))
- before the expiration of the time limit for amending the
claims and to be republished in the event of receipt of
amendments (Rule 48.2(h))

- (88) Date of publication of the international search report:
16 April 2015

(54) Title: CIGARETTE-LIKE SMOKING ARTICLE

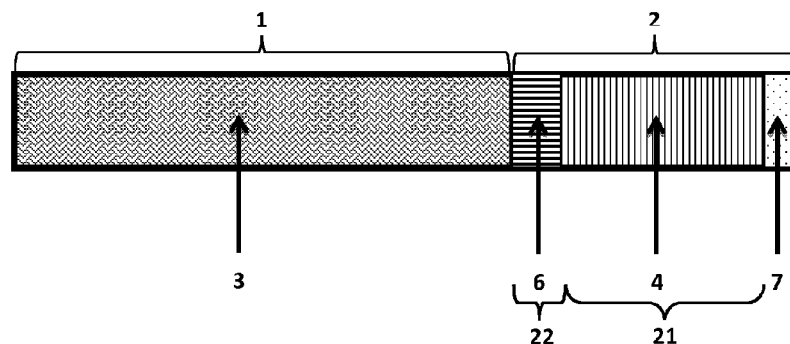


Figure 2

(57) Abstract: The present application relates to a new smoking article, typically a cigarette-like smoking article which has reduced emissions. It allows the formation of a tailored smoke, based on a mostly non-tobacco combustible (3), with psychoactive added to the combustible and a further aromatisation (4). A filtration stage (6) can be added to further reduce emissions.



INTERNATIONAL SEARCH REPORT

International application No.
PCT/EP2014/054950

Box No. II Observations where certain claims were found unsearchable (Continuation of item 2 of first sheet)

This international search report has not been established in respect of certain claims under Article 17(2)(a) for the following reasons:

1. Claims Nos.:
because they relate to subject matter not required to be searched by this Authority, namely:

2. Claims Nos.:
because they relate to parts of the international application that do not comply with the prescribed requirements to such an extent that no meaningful international search can be carried out, specifically:

3. Claims Nos.:
because they are dependent claims and are not drafted in accordance with the second and third sentences of Rule 6.4(a).

Box No. III Observations where unity of invention is lacking (Continuation of item 3 of first sheet)

This International Searching Authority found multiple inventions in this international application, as follows:

see additional sheet

1. As all required additional search fees were timely paid by the applicant, this international search report covers all searchable claims.

2. As all searchable claims could be searched without effort justifying an additional fees, this Authority did not invite payment of additional fees.

3. As only some of the required additional search fees were timely paid by the applicant, this international search report covers only those claims for which fees were paid, specifically claims Nos.:

4. No required additional search fees were timely paid by the applicant. Consequently, this international search report is restricted to the invention first mentioned in the claims; it is covered by claims Nos.:

1-4

Remark on Protest

- The additional search fees were accompanied by the applicant's protest and, where applicable, the payment of a protest fee.
- The additional search fees were accompanied by the applicant's protest but the applicable protest fee was not paid within the time limit specified in the invitation.
- No protest accompanied the payment of additional search fees.

INTERNATIONAL SEARCH REPORT

International application No
PCT/EP2014/054950

A. CLASSIFICATION OF SUBJECT MATTER
 INV. A24F47/00 A24B15/16
 ADD.
 According to International Patent Classification (IPC) or to both national classification and IPC

B. FIELDS SEARCHED
 Minimum documentation searched (classification system followed by classification symbols)
 A24F A24B A24D

Documentation searched other than minimum documentation to the extent that such documents are included in the fields searched

Electronic data base consulted during the international search (name of data base and, where practicable, search terms used)
 EPO-Internal, WPI Data

C. DOCUMENTS CONSIDERED TO BE RELEVANT

Category*	Citation of document, with indication, where appropriate, of the relevant passages	Relevant to claim No.
X	US 2005/115579 A1 (BEVEN JOHN L [GB] ET AL) 2 June 2005 (2005-06-02)	1-4
Y	paragraph [0097] - paragraph [0107]	1-4
X	WO 2012/164077 A1 (PHILIP MORRIS PROD [CH]; GLADDEN THOMAS [CH]; POGET LAURENT [CH]; JOCH) 6 December 2012 (2012-12-06)	1-4
Y	page 2, line 19 - page 26, line 6	
Y	US 4 286 604 A (EHRETSMANN JACQUES ET AL) 1 September 1981 (1981-09-01)	1-4
X	column 2, line 24 - column 11, line 22	
X	EP 2 289 357 A1 (JAPAN TOBACCO INC [JP]) 2 March 2011 (2011-03-02)	1,2
	paragraph [0030] - paragraph [0031]	

Further documents are listed in the continuation of Box C.

See patent family annex.

* Special categories of cited documents :

- "A" document defining the general state of the art which is not considered to be of particular relevance
- "E" earlier application or patent but published on or after the international filing date
- "L" document which may throw doubts on priority claim(s) or which is cited to establish the publication date of another citation or other special reason (as specified)
- "O" document referring to an oral disclosure, use, exhibition or other means
- "P" document published prior to the international filing date but later than the priority date claimed

- "T" later document published after the international filing date or priority date and not in conflict with the application but cited to understand the principle or theory underlying the invention
- "X" document of particular relevance; the claimed invention cannot be considered novel or cannot be considered to involve an inventive step when the document is taken alone
- "Y" document of particular relevance; the claimed invention cannot be considered to involve an inventive step when the document is combined with one or more other such documents, such combination being obvious to a person skilled in the art
- "&" document member of the same patent family

Date of the actual completion of the international search 18 August 2014	Date of mailing of the international search report 16/02/2015
--	---

Name and mailing address of the ISA/ European Patent Office, P.B. 5818 Patentlaan 2 NL - 2280 HV Rijswijk Tel. (+31-70) 340-2040, Fax: (+31-70) 340-3016	Authorized officer Koob, Michael
--	--

INTERNATIONAL SEARCH REPORT

Information on patent family members

International application No

PCT/EP2014/054950

Patent document cited in search report	Publication date	Patent family member(s)	Publication date
US 2005115579	A1	02-06-2005	AT 195057 T 15-08-2000
			AT 319337 T 15-03-2006
			AU 696926 B2 24-09-1998
			AU 3396795 A 27-03-1996
			BR 9509160 A 25-11-1997
			CA 2196907 A1 14-03-1996
			CN 1161635 A 08-10-1997
			CN 1507818 A 30-06-2004
			CZ 298668 B6 12-12-2007
			CZ 9700679 A3 15-09-1999
			DE 69518247 D1 07-09-2000
			DE 69518247 T2 23-11-2000
			DK 0781101 T3 04-09-2000
			EP 0781101 A2 02-07-1997
			EP 0956783 A1 17-11-1999
			EP 1600066 A2 30-11-2005
			ES 2148549 T3 16-10-2000
			GR 3034648 T3 31-01-2001
			HU 227234 B1 29-11-2010
			JP 3538201 B2 14-06-2004
			JP H10507629 A 28-07-1998
			NZ 292242 A 28-10-1999
			NZ 337552 A 26-01-2001
			PT 781101 E 31-01-2001
			SG 67485 A1 21-09-1999
			TR 9501100 A2 21-06-1996
			US 6095152 A 01-08-2000
			US 6578584 B1 17-06-2003
			US 2004025894 A1 12-02-2004
			US 2005115579 A1 02-06-2005
			WO 9607336 A2 14-03-1996

WO 2012164077	A1	06-12-2012	AR 086639 A1 15-01-2014
			AU 2012264657 A1 02-05-2013
			CA 2837906 A1 06-12-2012
			CN 103619198 A 05-03-2014
			EP 2713779 A1 09-04-2014
			JP 2014515932 A 07-07-2014
			KR 20140034859 A 20-03-2014
			SG 195255 A1 30-12-2013
			TW 201302108 A 16-01-2013
			US 2014326260 A1 06-11-2014
			WO 2012164077 A1 06-12-2012

US 4286604	A	01-09-1981	CA 1100745 A1 12-05-1981
			US 4286604 A 01-09-1981

EP 2289357	A1	02-03-2011	CA 2722682 A1 30-12-2009
			CN 101983018 A 02-03-2011
			EP 2289357 A1 02-03-2011
			HK 1148913 A1 02-08-2013
			JP 5178829 B2 10-04-2013
			KR 20100108614 A 07-10-2010
			KR 20130091787 A 19-08-2013
			RU 2010148804 A 27-07-2012
			TW 201002219 A 16-01-2010
			UA 96542 C2 10-11-2011
			US 2011036367 A1 17-02-2011

INTERNATIONAL SEARCH REPORT

Information on patent family members

International application No

PCT/EP2014/054950

Patent document cited in search report	Publication date	Patent family member(s)	Publication date
		US 2013276803 A1	24-10-2013
		WO 2009157240 A1	30-12-2009

FURTHER INFORMATION CONTINUED FROM PCT/ISA/ 210

This International Searching Authority found multiple (groups of) inventions in this international application, as follows:

1. claims: 1-4

A smoking article comprising two compartments, wherein a first distal compartment comprises at least a combustible material, which is not tobacco or comprises no more than 35% of tobacco, producing heat and at least one psychoactive compound, and a second proximal compartment comprises at least one aromatic element, wherein the combustible material is a carbonized material.

2. claims: 5, 6

A smoking article comprising two compartments, wherein a first distal compartment comprises at least a combustible material, which is not tobacco or comprises no more than 35% of tobacco, producing heat and at least one psychoactive compound, and a second proximal compartment comprises at least one aromatic element, wherein the at least one psychoactive compound is selected from nicotine, a minor tobacco alkaloid, a therapeutic psychoactive compound and equivalents thereof.

3. claims: 7-9

A smoking article comprising two compartments, wherein a first distal compartment comprises at least a combustible material, which is not tobacco or comprises no more than 35% of tobacco, producing heat and at least one psychoactive compound, and a second proximal compartment comprises at least one aromatic element, wherein the proximal compartment further comprises a filter.

4. claims: 10-12

A smoking article comprising two compartments, wherein a first distal compartment comprises at least a combustible material, which is not tobacco or comprises no more than 35% of tobacco, producing heat and at least one psychoactive compound, and a second proximal compartment comprises at least one aromatic element, wherein the distal compartment further comprises an irritation modulator and/or an aromatic element and/or the at least one aromatic element is natural or artificial.

5. claims: 13, 14

A smoking article comprising two compartments, wherein a first distal compartment comprises at least a combustible

FURTHER INFORMATION CONTINUED FROM PCT/ISA/ 210

material, which is not tobacco or comprises no more than 35% of tobacco, producing heat and at least one psychoactive compound, and a second proximal compartment comprises at least one aromatic element, wherein said smoking element produces smoke, and said smoke is generated by the combustible material.

6. claim: 15

A smoking article comprising two compartments, wherein a first distal compartment comprises at least a combustible material, which is not tobacco or comprises no more than 35% of tobacco, producing heat and at least one psychoactive compound, and a second proximal compartment comprises at least one aromatic element, wherein said article further comprises an aesthetical element to be introduced in the mouth.

7. claim: 16

A smoking article comprising two compartments, wherein a first distal compartment comprises at least a combustible material, which is not tobacco or comprises no more than 35% of tobacco, producing heat and at least one psychoactive compound, and a second proximal compartment comprises at least one aromatic element, wherein said article comprises a wrapping material.
