

(19) World Intellectual Property Organization
International Bureau



(43) International Publication Date
6 February 2003 (06.02.2003)

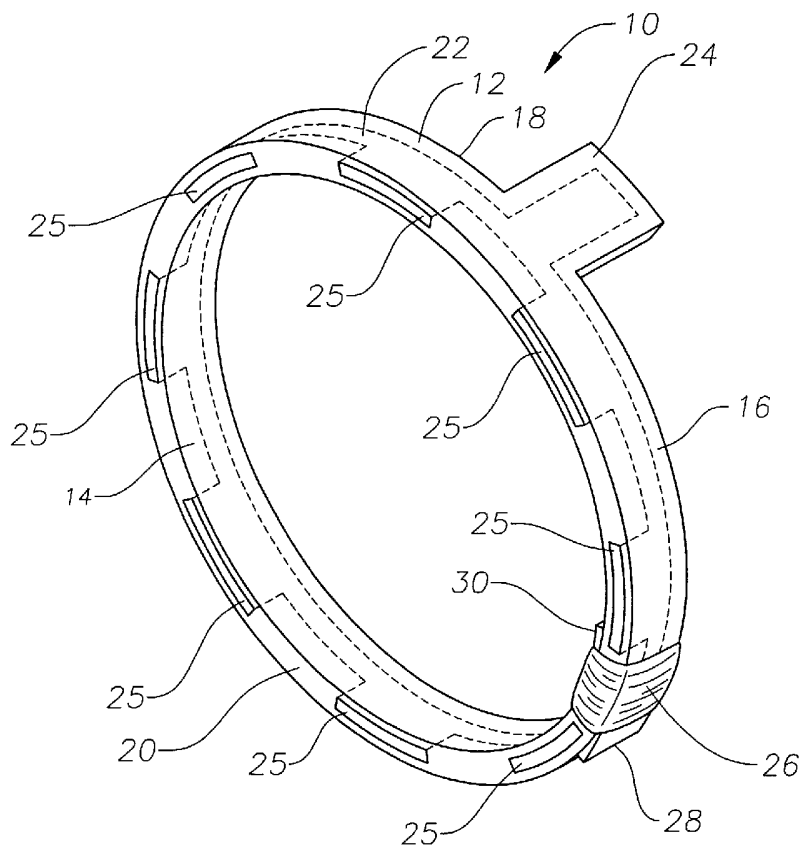
PCT

(10) International Publication Number
WO 03/009774 A3

- (51) International Patent Classification⁷: A61M 35/00, A61F 02/00 [IL/US]; 6805 Spring Valley Way, Fort Worth, TX 76132-3883 (US).
- (21) International Application Number: PCT/US02/23048 (74) Agents: LEE, W., David et al.; Alcon Research, Ltd., Mail Code: Q-148, 6201 South Freeway, Fort Worth, TX 76134 (US).
- (22) International Filing Date: 22 July 2002 (22.07.2002)
- (25) Filing Language: English (81) Designated States (national): AU, BR, CA, CN, JP, MX, PL, US, ZA.
- (26) Publication Language: English (84) Designated States (regional): European patent (AT, BE, BG, CH, CY, CZ, DE, DK, EE, ES, FI, FR, GB, GR, IE, IT, LU, MC, NL, PT, SE, SK, TR).
- (30) Priority Data: 60/307,284 23 July 2001 (23.07.2001) US (71) Applicant (for all designated States except US): ALCON, INC. [CH/CH]; P.O. Box 62, Bosch 69, CH-6331 Hünenberg (CH). Published: — with international search report
- (72) Inventor; and (88) Date of publication of the international search report: 21 August 2003
- (75) Inventor/Applicant (for US only): YAACOBI, Yoseph

[Continued on next page]

(54) Title: OPHTHALMIC DRUG DELIVERY DEVICE



(57) Abstract: An ophthalmic drug delivery device (10) having a first end and a second end (Figure 3), an injection port (24), a reservoir, (22), and a sleeve (26) is disclosed. The injection port is for sealingly engaging a needle (102) of a syringe (100), which is for providing a fluid (104) comprising a pharmaceutically active agent. The reservoir is disposed within the device, is fluidly coupled to the injection port, and has an opening (25) for communicating the fluid to an outer surface of a sclera (58) of an eye (52). The sleeve is for engaging the device proximate overlapping portions of the first end and the second end for forming a generally ring-shaped three-dimensional geometry upon implantation of the device on the outer surface of the sclera. The device is useful for the treatment of a disease of the posterior segment (68) of the eye.



WO 03/009774 A3



For two-letter codes and other abbreviations, refer to the "Guidance Notes on Codes and Abbreviations" appearing at the beginning of each regular issue of the PCT Gazette.

INTERNATIONAL SEARCH REPORT

International application No.
PCT/US02/23048

A. CLASSIFICATION OF SUBJECT MATTER

IPC(7) :A61M 35/00; A61F 02/00

US CL :604/294; 424/427

According to International Patent Classification (IPC) or to both national classification and IPC

B. FIELDS SEARCHED

Minimum documentation searched (classification system followed by classification symbols)

U.S. : 604/294, 296, 289, 301, 521, 890.1, 891.1; 424/427, 422, 432; 222/383.1, 525

Documentation searched other than minimum documentation to the extent that such documents are included in the fields searched

Electronic data base consulted during the international search (name of data base and, where practicable, search terms used)

EAST

C. DOCUMENTS CONSIDERED TO BE RELEVANT

Category*	Citation of document, with indication, where appropriate, of the relevant passages	Relevant to claim No.
A,E	US 6,413,540 B1 (YAACOBI) 02 July 2002, see abstract and Figures 5-6B	1
A	US 6,001,088 A (Roberts et al.) 14 December 1999, see abstract and Figures 1A-1E.	1
A	US 5,860,994 A (YAACOBI) 19 January 1999, see abstract and Figures 1-4.	1

 Further documents are listed in the continuation of Box C.
 See patent family annex.

* Special categories of cited documents:	"T"	later document published after the international filing date or priority date and not in conflict with the application but cited to understand the principle or theory underlying the invention
"A" document defining the general state of the art which is not considered to be of particular relevance	"X"	document of particular relevance; the claimed invention cannot be considered novel or cannot be considered to involve an inventive step when the document is taken alone
"E" earlier document published on or after the international filing date	"Y"	document of particular relevance; the claimed invention cannot be considered to involve an inventive step when the document is combined with one or more other such documents, such combination being obvious to a person skilled in the art
"L" document which may throw doubts on priority claim(s) or which is cited to establish the publication date of another citation or other special reason (as specified)	"&"	document member of the same patent family
"O" document referring to an oral disclosure, use, exhibition or other means		
"P" document published prior to the international filing date but later than the priority date claimed		

Date of the actual completion of the international search

24 SEPTEMBER 2002

Date of mailing of the international search report

28 MAR 2003

Name and mailing address of the ISA/US
Commissioner of Patents and Trademarks
Box PCT
Washington, D.C. 20231

Facsimile No. (703) 305-3230

Authorized officer

ANHTUAN T. NGUYEN

Telephone No. 703-308-2154