



US00D742823S

(12) **United States Design Patent**
Nitz

(10) **Patent No.:** **US D742,823 S**

(45) **Date of Patent:** **** Nov. 10, 2015**

(54) **CHARGER**

(71) Applicant: **Nitz Engineering GmbH**, Brixen (IT)

(72) Inventor: **Rüdiger Nitz**, Brixen (IT)

(73) Assignee: **NITZ ENGINEERING GMBH**, Brixen (IT)

(**) Term: **14 Years**

(21) Appl. No.: **29/468,247**

(22) Filed: **Sep. 27, 2013**

(30) **Foreign Application Priority Data**

Mar. 27, 2013 (EM) 002210187

(51) **LOC (10) Cl.** **13-02**

(52) **U.S. Cl.**

USPC **D13/108**; D13/103

(58) **Field of Classification Search**

USPC D13/103, 107-110, 118-119, 182, 199;
D14/251, 253, 432, 434; 320/107-115

CPC Y02E 60/12; Y02T 90/14; Y02T 90/122;
Y02T 90/128; Y02T 90/163; H02J 7/025;
H02J 7/0042; H02J 7/0044; H02J 7/0045;
H02J 7/0003; H01F 38/14; H01R 13/6675;
H01M 2/1022; H01M 2/1055; H01M 10/44;
H01M 10/46; H01M 10/425; B60L 11/182

See application file for complete search history.

(56) **References Cited**

U.S. PATENT DOCUMENTS

D628,153 S * 11/2010 Fujii et al. D13/108
D654,431 S * 2/2012 Stephanchick et al. D13/108
D656,096 S * 3/2012 Sasada et al. D13/108
D659,094 S * 5/2012 Brand et al. D13/108
D663,684 S * 7/2012 Yang D13/108
D663,685 S * 7/2012 Yang D13/108

D674,748 S * 1/2013 Ferber et al. D13/108
D680,063 S * 4/2013 Sasada D13/103
D694,182 S * 11/2013 Lee et al. D13/108

(Continued)

Primary Examiner — Rosemary K Tarcza

(74) *Attorney, Agent, or Firm* — Myers Wolin, LLC

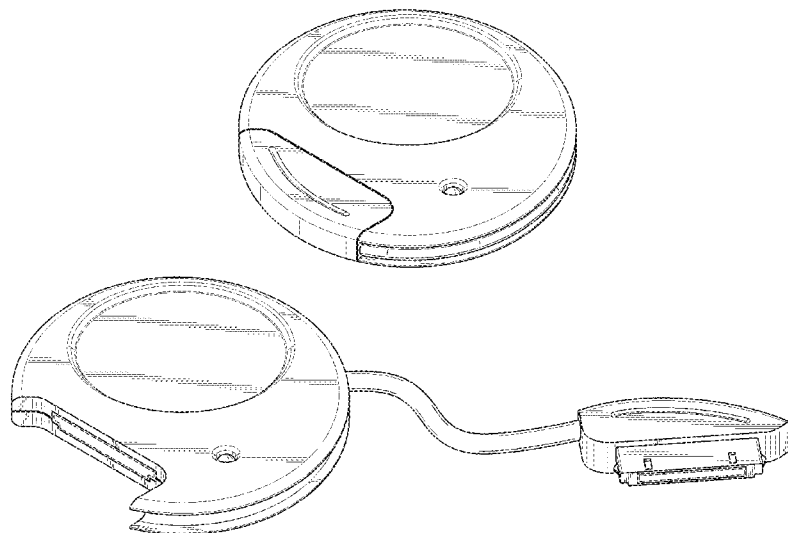
(57) **CLAIM**

The ornamental design for a charger, as shown and described.

DESCRIPTION

FIG. 1 is a first embodiment of an upper right side isometric view of a charger showing my new design; FIG. 2 is an upper left side isometric view thereof; FIG. 3 is a top plan view thereof; FIG. 4 is a left elevation view thereof; FIG. 5 is a right elevation view thereof; FIG. 6 is a rear elevation view thereof; FIG. 7 is a front elevation view thereof; FIG. 8 is a bottom view thereof; FIG. 9 is a second embodiment of an upper right side isometric view of a charger showing my new design; FIG. 10 is an upper left side isometric view thereof; FIG. 11 is a top plan view thereof; FIG. 12 is a bottom view thereof; FIG. 13 is a left elevation view thereof; FIG. 14 is a right elevation view thereof; FIG. 15 is a rear elevation view thereof; FIG. 16 is a front elevation view thereof; FIG. 17 is a third embodiment of an upper right side isometric view of a charger showing my new design; FIG. 18 is an upper left side isometric view thereof; FIG. 19 is a top plan view thereof; FIG. 20 is a bottom view thereof; FIG. 21 is a left elevation view thereof; FIG. 22 is a right elevation view thereof; FIG. 23 is a rear elevation view thereof; and, FIG. 24 is a front elevation view thereof. The broken lines are for illustrative purposes only and form no part of the claimed design.

1 Claim, 15 Drawing Sheets



(56)

References Cited

U.S. PATENT DOCUMENTS

D697,867 S *	1/2014	Weinstein et al.	D13/108	D722,961 S *	2/2015	Lin et al.	D13/108
D718,233 S *	11/2014	Aumiller et al.	D13/108	D725,034 S *	3/2015	Chen	D13/108
D718,234 S *	11/2014	Rautiainen	D13/108	D727,257 S *	4/2015	Miller et al.	D13/108
				2013/0187606 A1 *	7/2013	Ting	320/114
				2014/0042969 A1 *	2/2014	Miller et al.	320/111

* cited by examiner

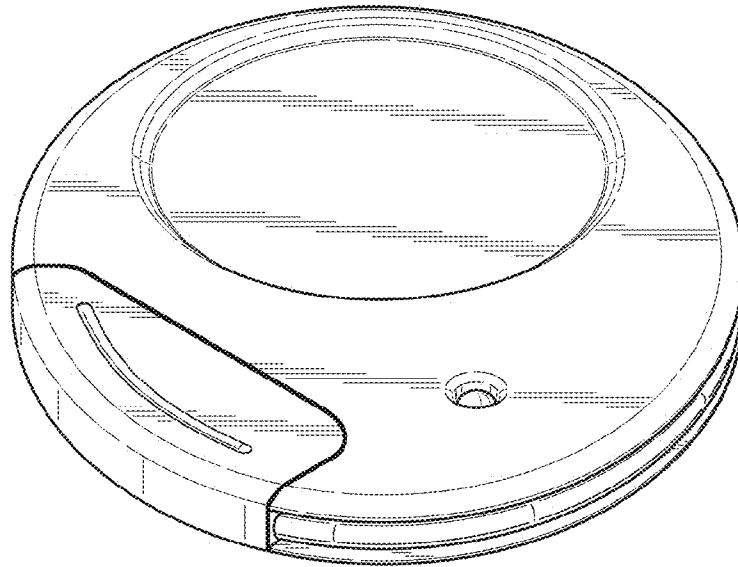


FIG. 1

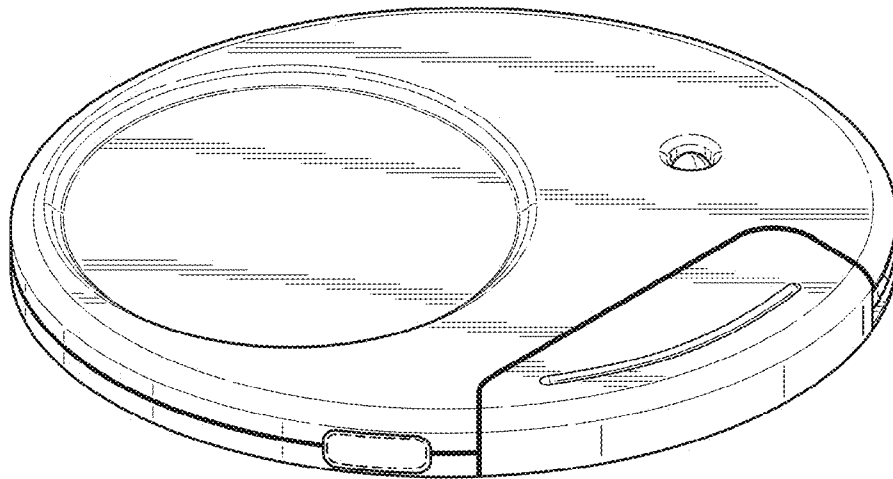


FIG. 2



FIG. 6



FIG. 4

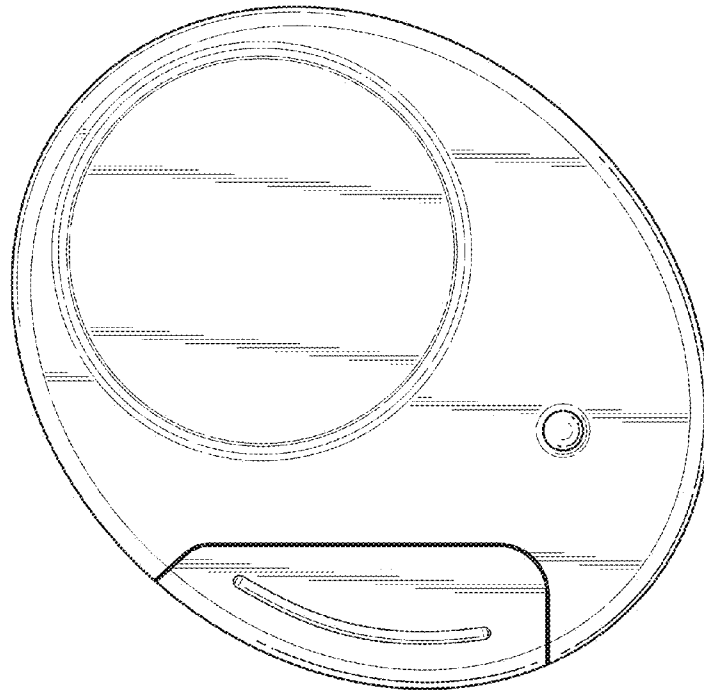


FIG. 3

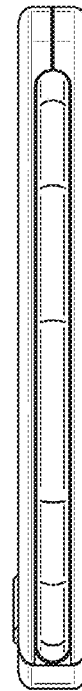


FIG. 5



FIG. 7

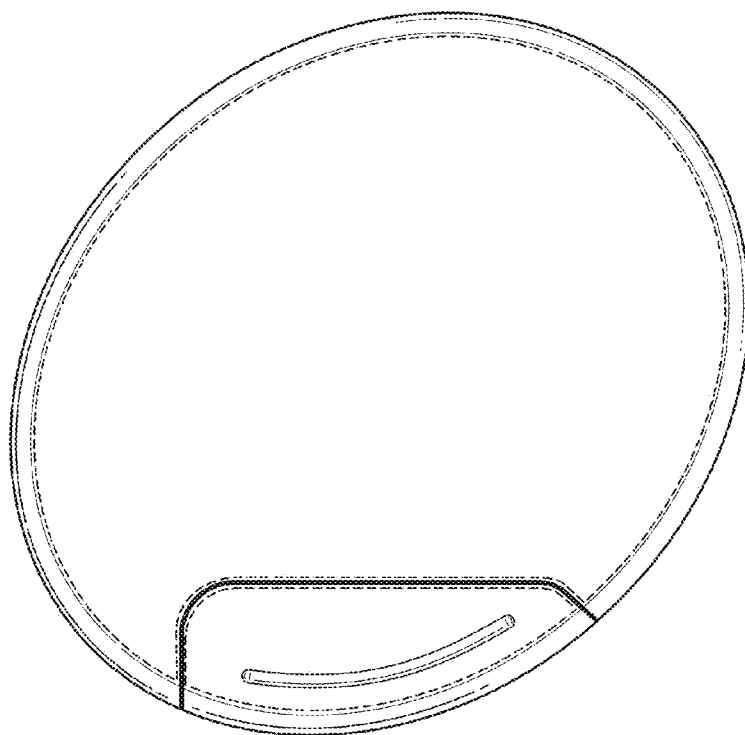


FIG. 8

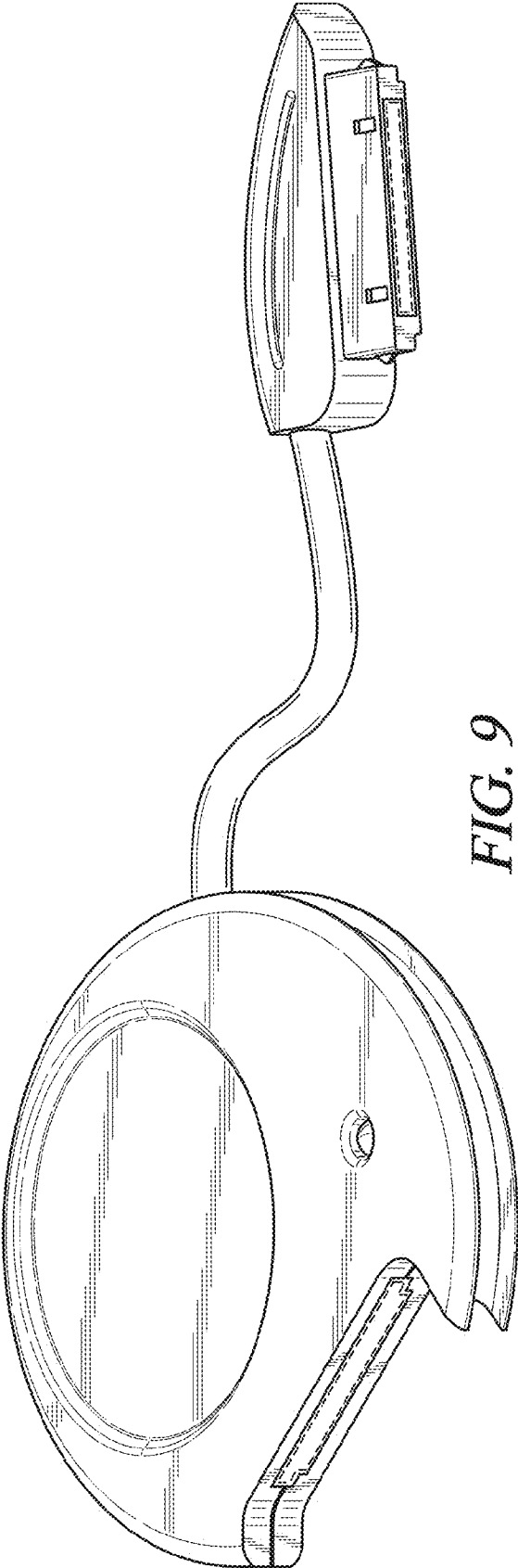


FIG. 9

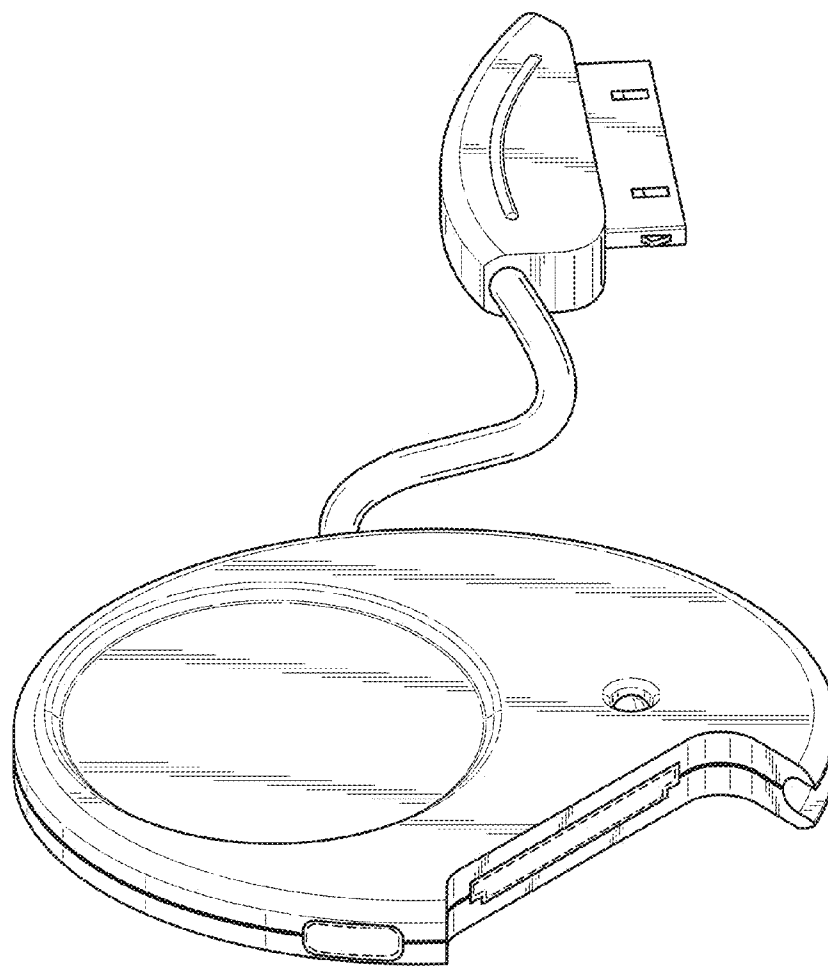


FIG. 10

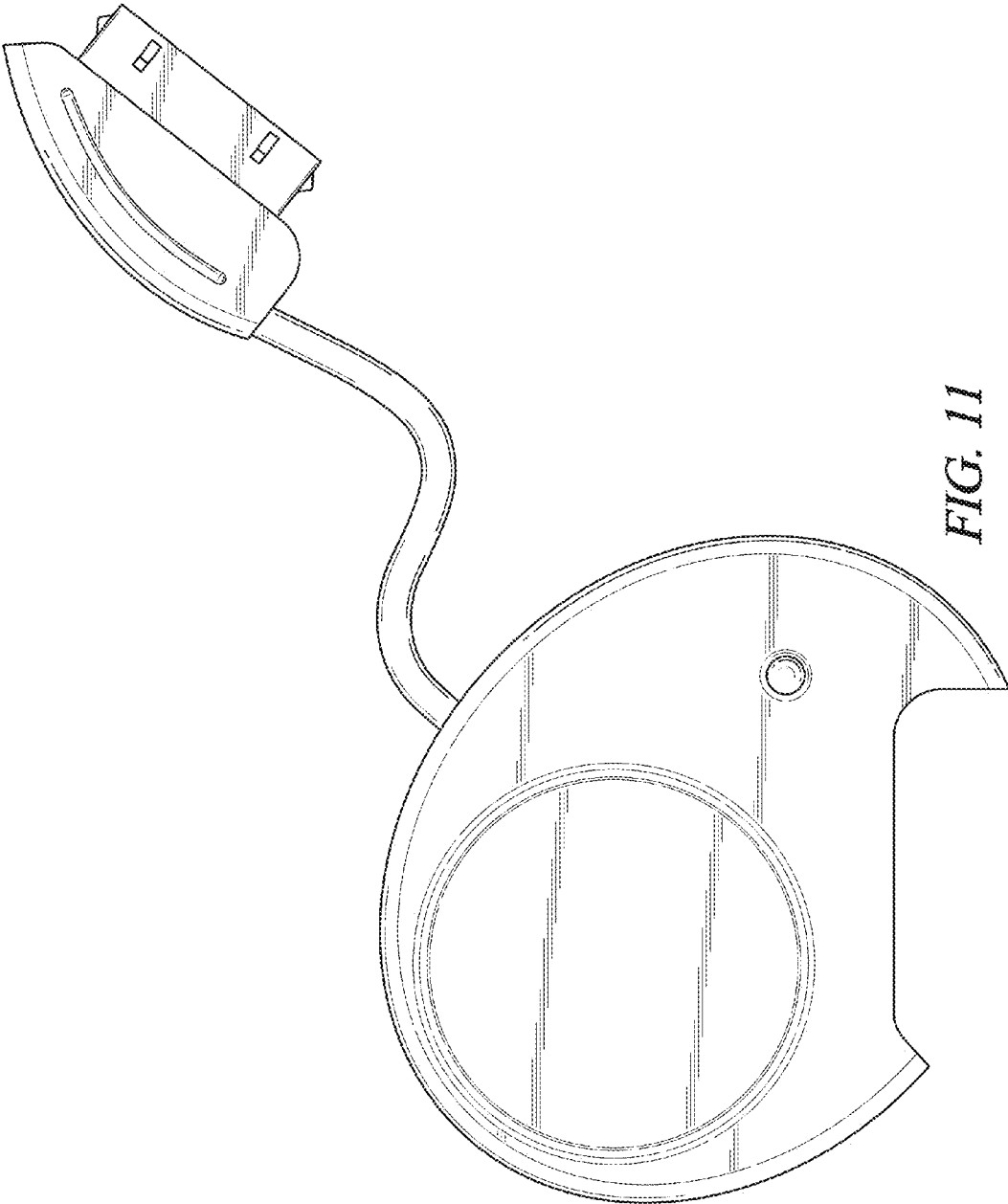


FIG. 11

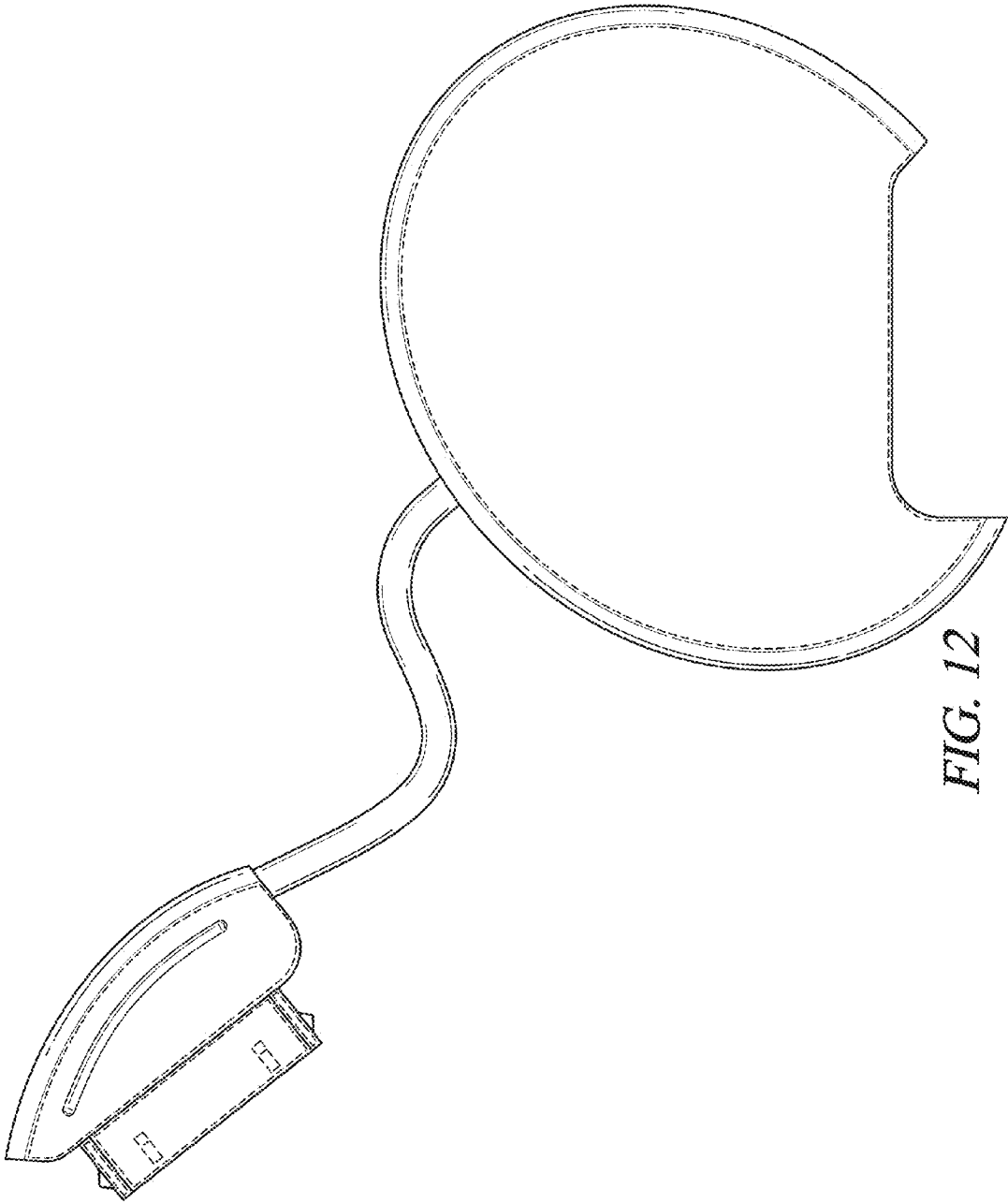


FIG. 12

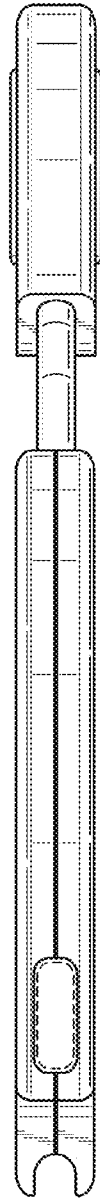


FIG. 13

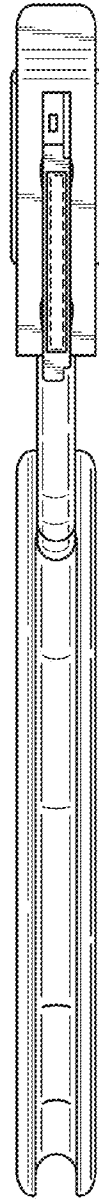


FIG. 14

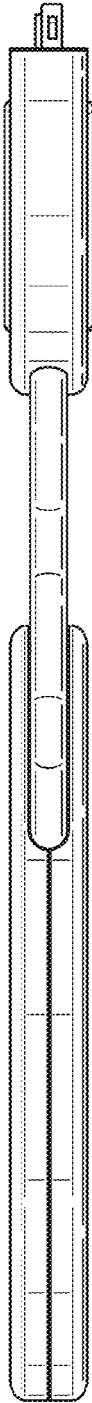


FIG. 15

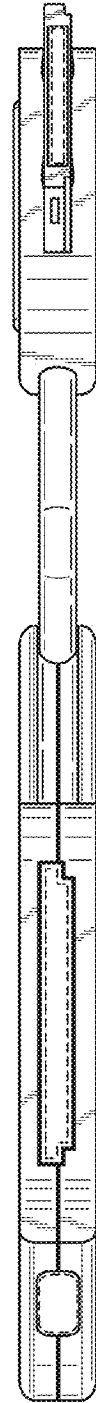


FIG. 16

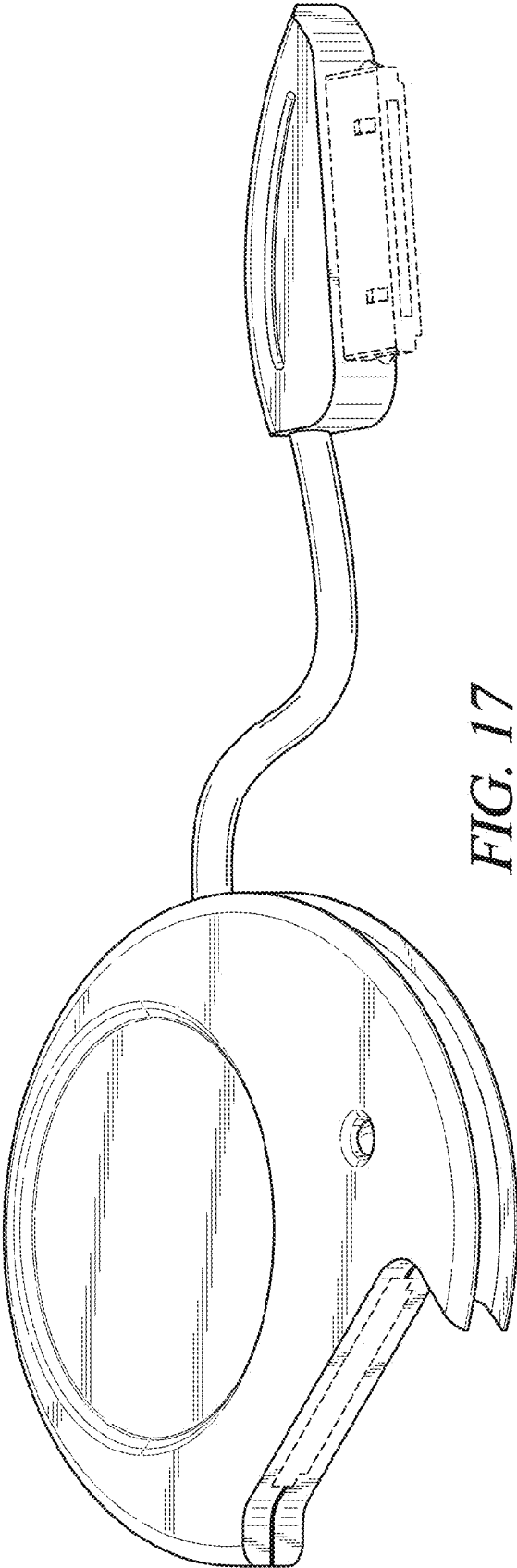


FIG. 17

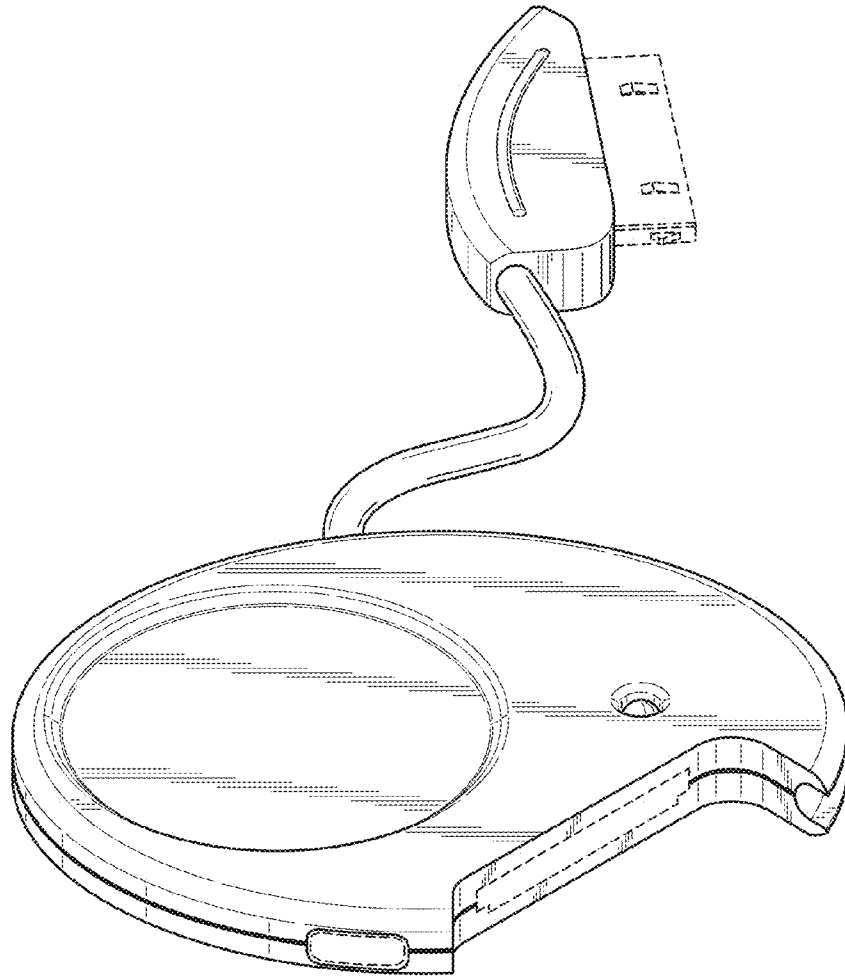


FIG. 18

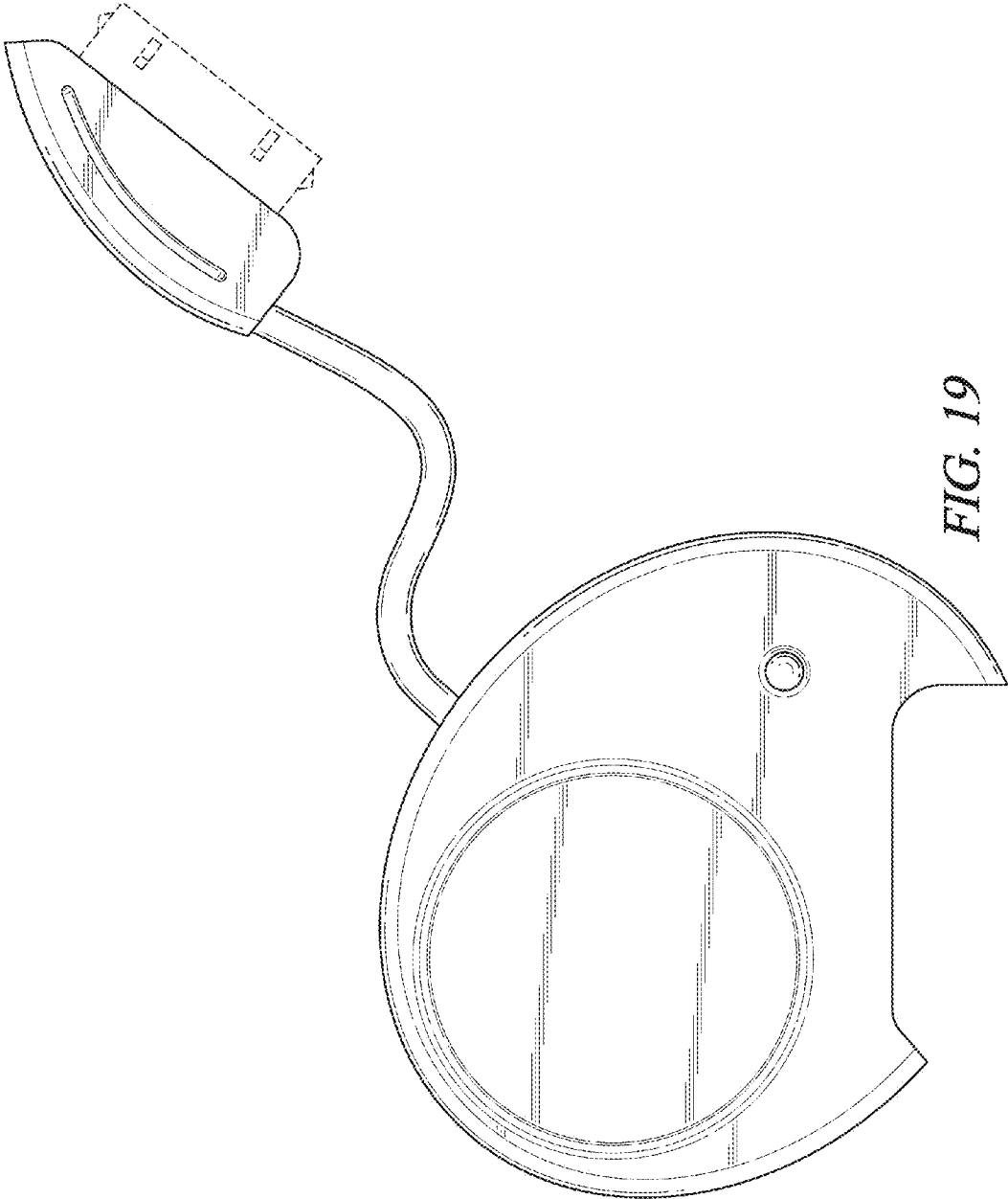


FIG. 19

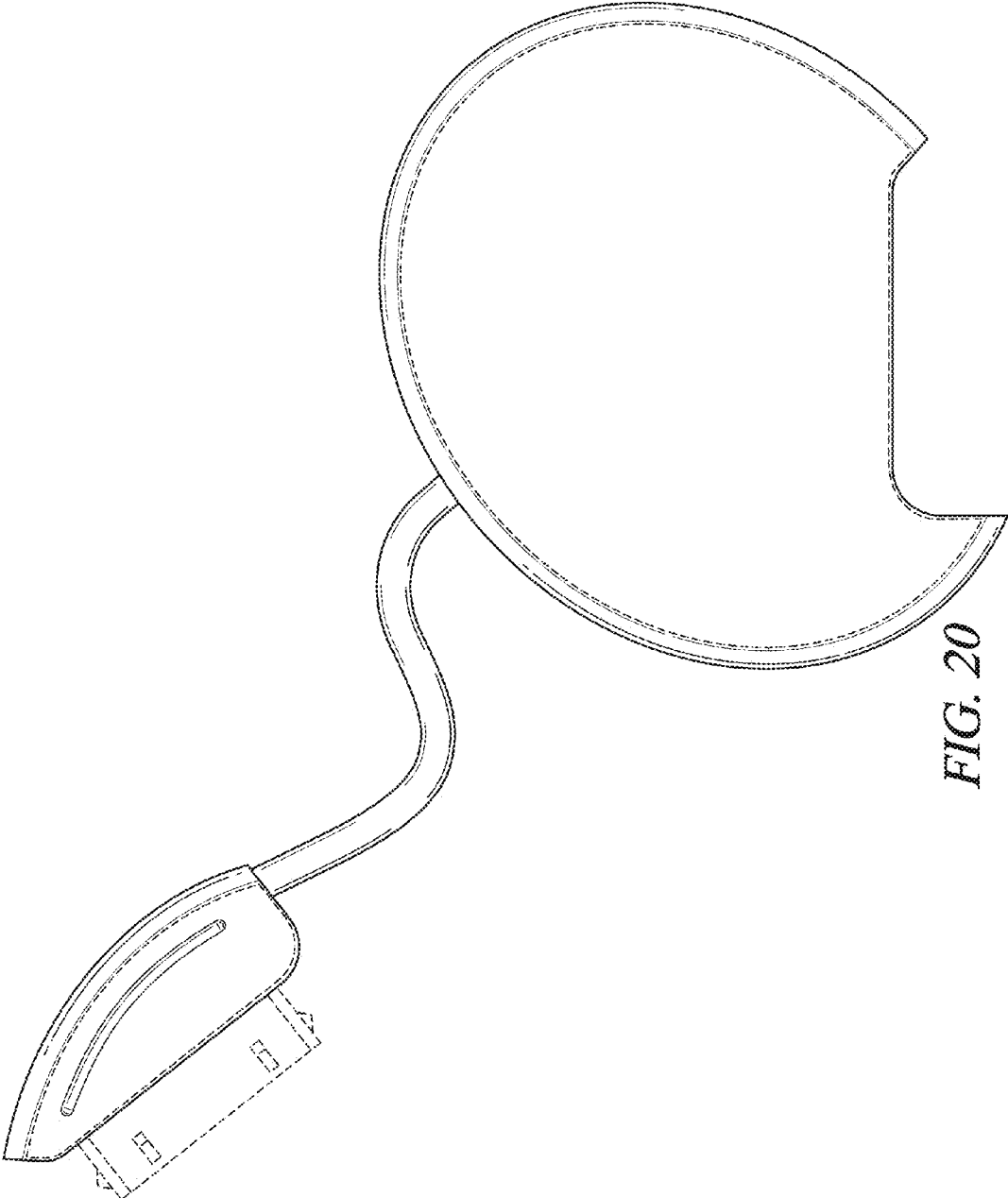


FIG. 20

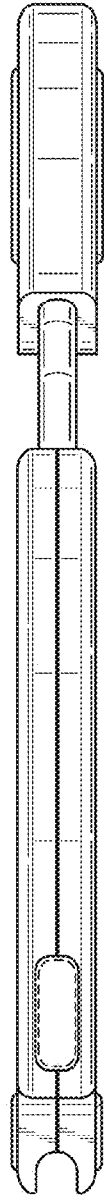


FIG. 21

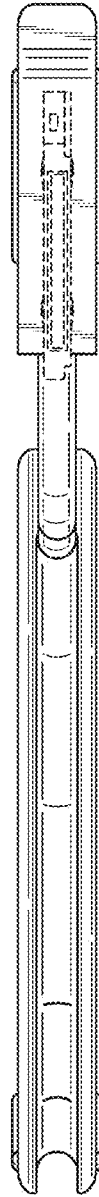


FIG. 22

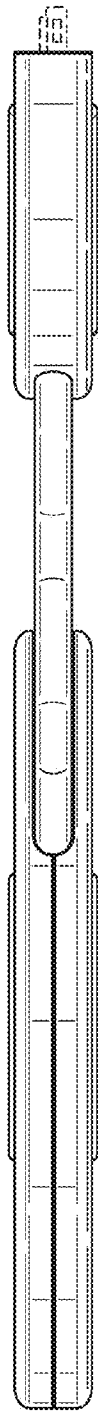


FIG. 23

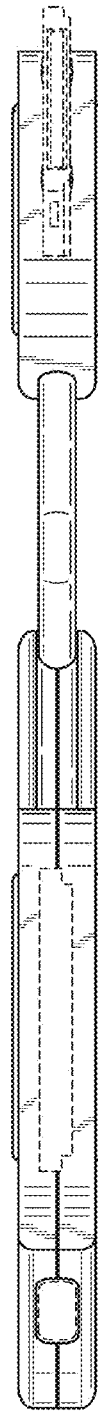


FIG. 24