



US0D1028811S

(12) **United States Design Patent** (10) **Patent No.:** **US D1,028,811 S**
Seo et al. (45) **Date of Patent:** **** May 28, 2024**

(54) **FRONT BUMPER LOWER COVER FOR AN AUTOMOBILE**

(71) Applicants: **Hyundai Motor Company**, Seoul (KR); **Kia Corporation**, Seoul (KR)
(72) Inventors: **Jun Seok Seo**, Seongnam-si (KR); **Tae Soon Nam**, Incheon (KR)
(73) Assignees: **Hyundai Motor Company**, Seoul (KR); **Kia Corporation**, Seoul (KR)

(**) Term: **15 Years**

(21) Appl. No.: **35/516,627**

(22) Filed: **Sep. 14, 2022**

(80) **Hague Agreement Data**

Int. Filing Date: **Sep. 14, 2022**
Int. Reg. No.: **DM/223578**
Int. Reg. Date: **Sep. 14, 2022**
Int. Reg. Pub. Date: **Mar. 17, 2023**

(30) **Foreign Application Priority Data**

Apr. 15, 2022 (KR) 30-2022-0014827

(51) **LOC (14) Cl.** **12-16**

(52) **U.S. Cl.**
USPC **D12/169**

(58) **Field of Classification Search**
USPC D12/86, 90, 91, 92, 98, 163, 164, 169, D12/190, 196
CPC B60R 19/02; B60R 19/04; B60R 19/08
See application file for complete search history.

(56) **References Cited**

U.S. PATENT DOCUMENTS

D991,107 S * 7/2023 Lee D12/169
D991,108 S * 7/2023 Han D12/169

D991,851 S * 7/2023 Swanseger D12/169
D991,859 S * 7/2023 Swanseger D12/169
D993,105 S * 7/2023 Lee D12/169
D995,375 S * 8/2023 Hara D12/169
D996,317 S * 8/2023 Anscheidt D12/169
D1,004,500 S * 11/2023 Khachatryan D12/169
D1,005,188 S * 11/2023 Willing D12/169
D1,005,905 S * 11/2023 Huang D12/169
D1,008,119 S * 12/2023 Thogersen D12/169
D1,008,120 S * 12/2023 Ojea D12/169
D1,008,121 S * 12/2023 Simm D12/169

OTHER PUBLICATIONS

Bumpers. (Design—©Questel) orbit.com. [Online PDF compilation of references] 40 pgs. Print Dates Range Nov. 30, 2023-Dec. 6, 2021 [Retrieved Jan. 17, 2024].*
2018-23 GT500 Style Front Bumper Cover. 2023. EMP Parts. https://www.emp.parts/products/2018-23-gt500-style-front-bumper-cover.*

(Continued)

Primary Examiner — Garth Rademaker
Assistant Examiner — Suzanne E Tisdell
(74) *Attorney, Agent, or Firm* — Fox Rothschild LLP

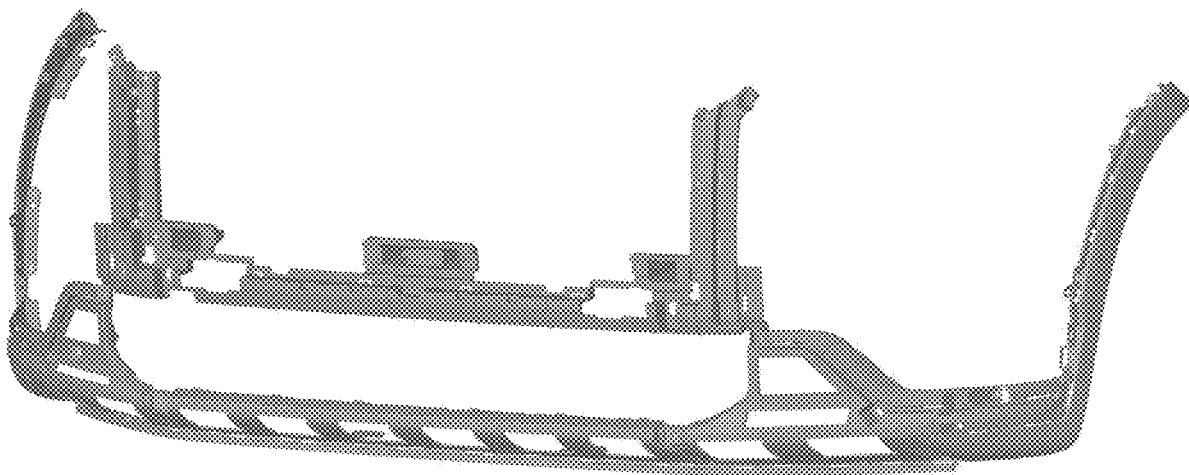
(57) **CLAIM**

The ornamental design for front bumper lower cover for an automobile, as shown and described.

DESCRIPTION

1. Front bumper lower cover for an automobile
1.1 : Perspective
1.2 : Front
1.3 : Back
1.4 : Left
1.5 : Right
1.6 : Top
1.7 : Bottom
1.8 : Perspective
1.9 : Perspective

1 Claim, 9 Drawing Sheets



(56)

References Cited

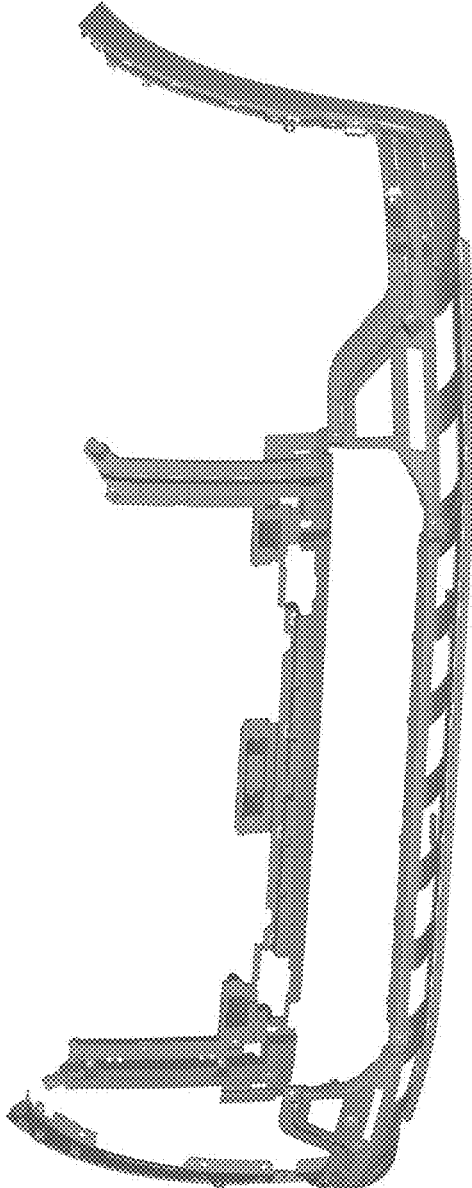
OTHER PUBLICATIONS

Chevrolet Camaro 2019+ Front Bumper for LS & LT Model. 2019. Forza Performance Group. <https://forzaaa.com/products/chevrolet-camaro-2019-front-bumper-for-ls-lt-model>.*

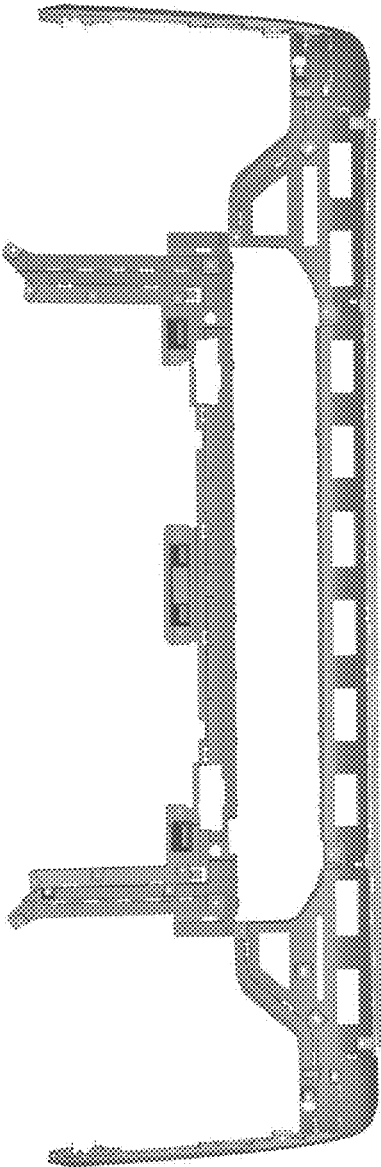
Front Bumper—Faour Autoparts Advanced portal. 2018. Faour Trading. <https://www.faourautoparts.com/product/front-bumper-279/>.*

* cited by examiner

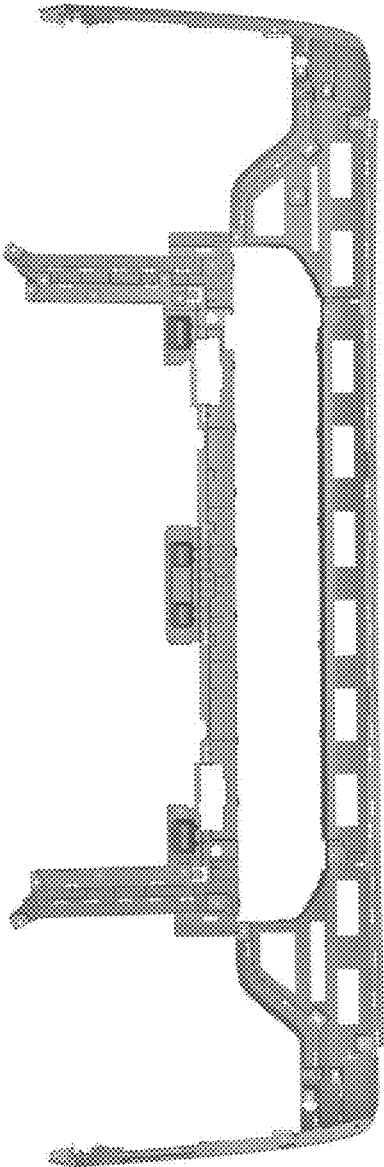
1.1

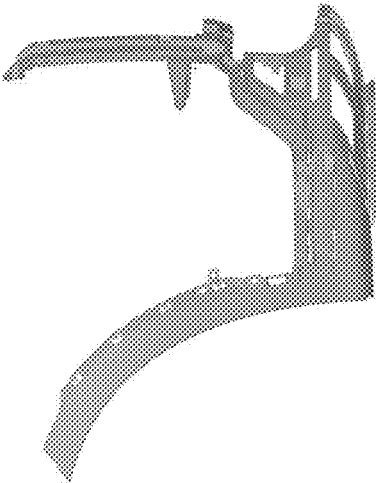


1.2

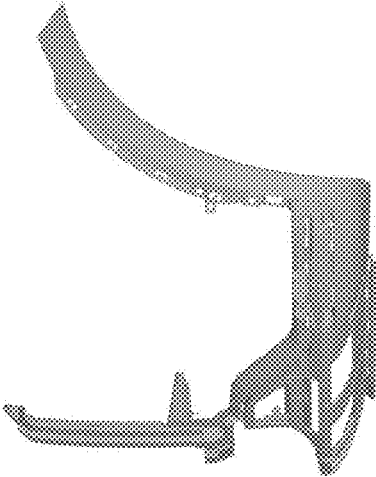


1.3

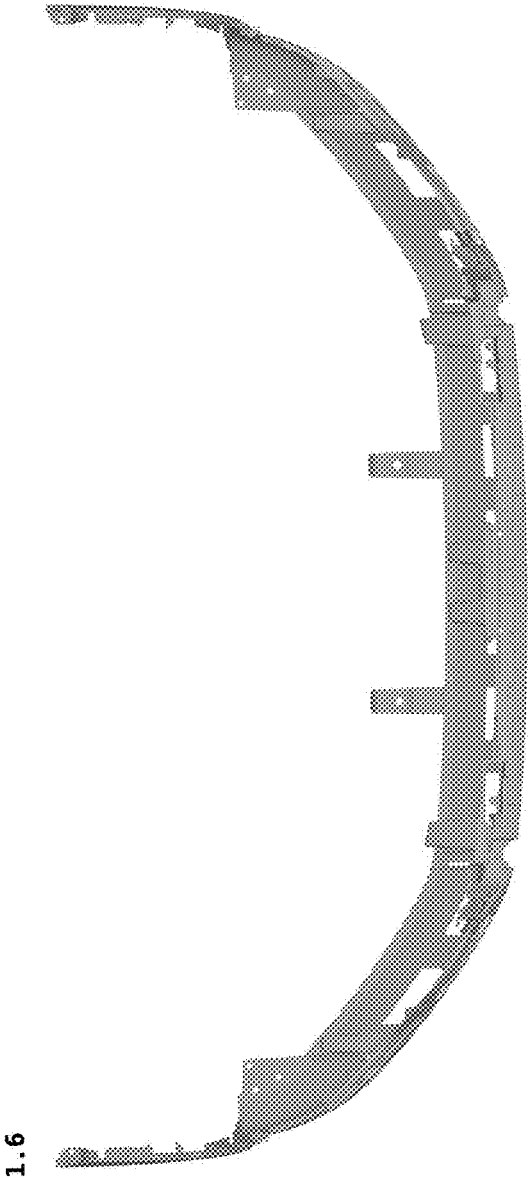




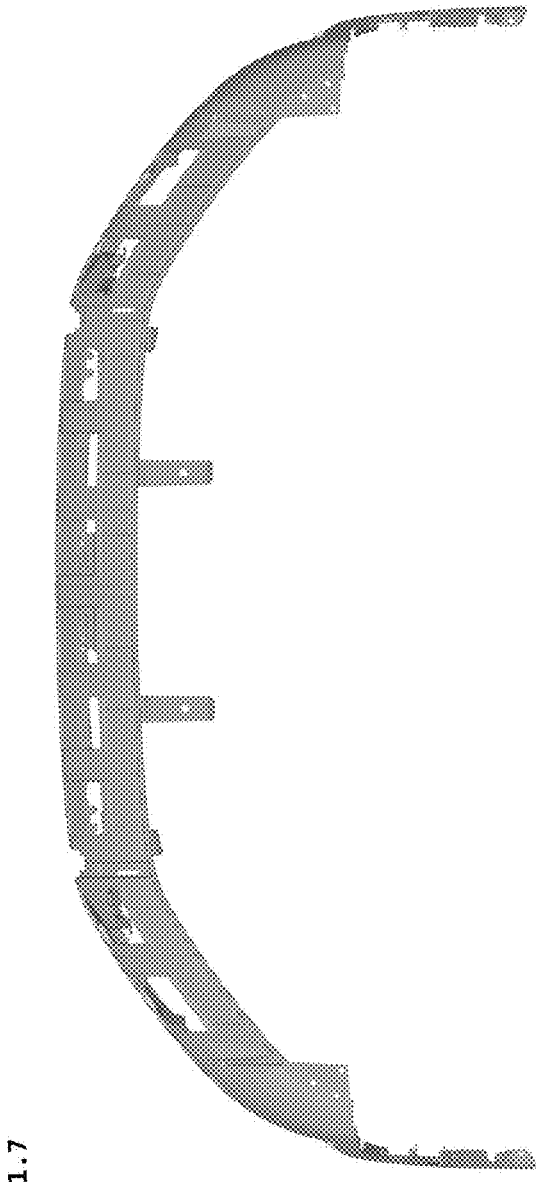
1.4

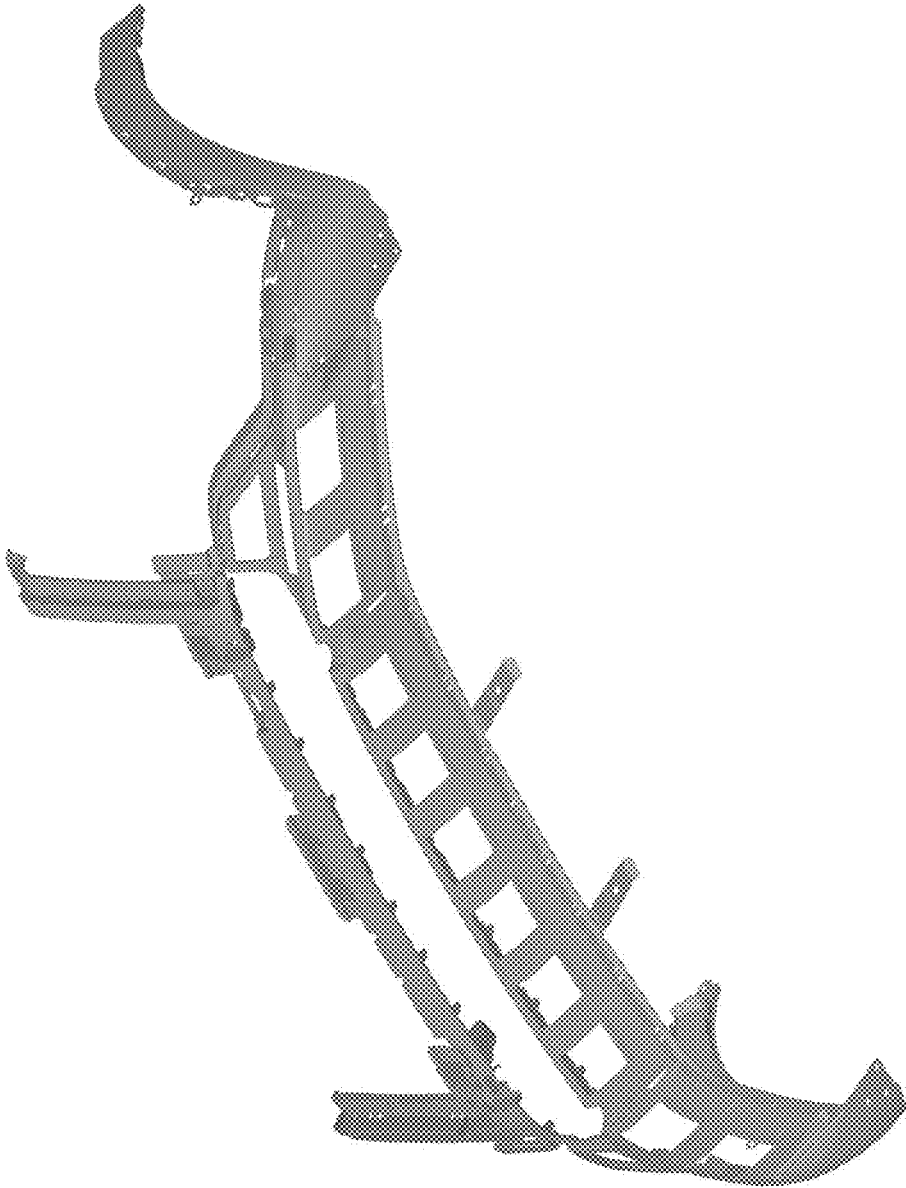


1.5

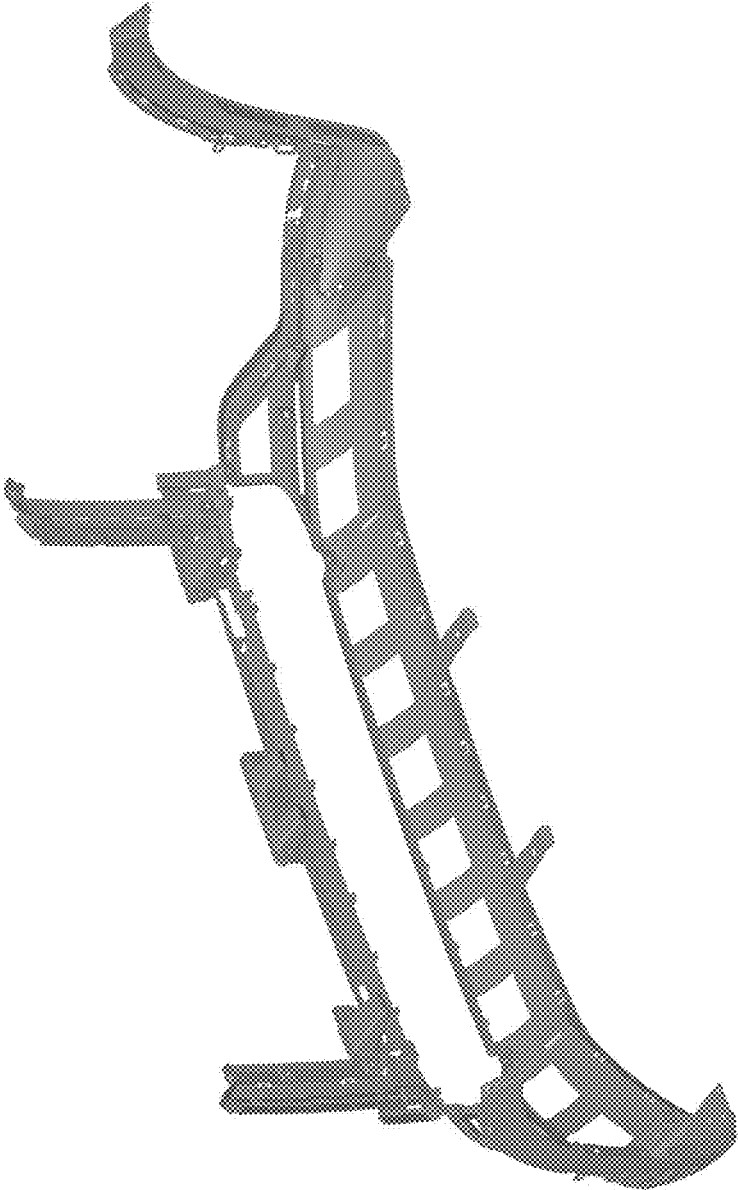


1.6





1.8



1.9