



US00D618981S

(12) **United States Design Patent**
Gringer

(10) **Patent No.:** **US D618,981 S**

(45) **Date of Patent:** **** Jul. 6, 2010**

(54) **TOOL HANDLE**

3,250,000 A 5/1966 Schumman

(75) Inventor: **Donald Gringer**, New York, NY (US)

(73) Assignee: **Allway Tools, Inc.**, Bronx, NY (US)

(Continued)

(**) Term: **14 Years**

FOREIGN PATENT DOCUMENTS

(21) Appl. No.: **29/345,171**

WO 2000/06347 2/2000

(22) Filed: **Oct. 12, 2009**

OTHER PUBLICATIONS

(51) **LOC (9) Cl.** **08-05**

(52) **U.S. Cl.** **D8/107; D32/41; D32/52**

(58) **Field of Classification Search** D8/47,

D8/107, 303; D7/393, 395, 645; D32/40,

D32/41, 46, 49, 52; 30/169, 340, 166 R;

16/110.1, 421, 422; 81/177.1-177.7, 489

See application file for complete search history.

“Soft Grip Tools for Hard Hats Jobs”, Allway Tools Inc., 2008.

(Continued)

Primary Examiner—Cathron C Brooks

Assistant Examiner—Barbara Fox

(74) *Attorney, Agent, or Firm*—Gottlieb, Rackman & Reisman, P.C.

(56) **References Cited**

U.S. PATENT DOCUMENTS

D27,947 S *	12/1897	Norton	D7/693
656,468 A	8/1900	Mullin		
693,518 A	2/1902	Hamilton		
736,741 A	8/1903	Klemm		
952,746 A	3/1910	Lane		
1,068,683 A	7/1913	Malek		
D57,139 S	2/1921	Marcy		
1,463,745 A	7/1923	Layne		
1,584,021 A	5/1926	Malvin		
2,119,145 A	5/1938	Deitrich		
2,145,985 A	2/1939	Krajicek		
2,245,096 A	6/1941	Penney		
2,286,190 A	6/1942	Abrahamsen		
2,336,284 A	12/1943	Nelson		
2,376,887 A	5/1945	Walters		
2,783,537 A	3/1957	Gringer		
2,846,764 A	8/1958	Hyneman		
2,862,296 A	12/1958	Anderson		
2,948,961 A	8/1960	Ortner		
2,953,175 A	9/1960	Robinson, Jr.		
3,107,426 A	10/1963	Robinson Jr.		
3,162,947 A	12/1964	Gringer		
3,192,624 A	7/1965	Gringer		

(57) **CLAIM**

The ornamental design for a tool handle, as shown and described.

DESCRIPTION

FIG. 1 is a top, front and left side perspective view of a tool handle showing my new design;

FIG. 2 is a top view thereof;

FIG. 3 is a left side elevational view thereof, with the right side elevational view being a mirror image;

FIG. 4 is a front elevational view thereof, with the rear elevational view being a mirror image; and,

FIG. 5 is a bottom view thereof.

The dotted lines in FIG. 1, which include a representation of scraper head, are included for the purpose of illustrating environmental structure and form no part of the claimed design.

1 Claim, 3 Drawing Sheets



US D618,981 S

U.S. PATENT DOCUMENTS

3,667,122 A	6/1972	Black		6,219,923 B1	4/2001 Sinisi et al.
3,688,401 A	9/1972	Hartman		D444,692 S	7/2001 Marquardt
D234,743 S *	4/1975	Andersen	D32/49	6,286,215 B1	9/2001 Panaccione
D240,699 S	7/1976	Gerson		D453,251 S	1/2002 Gringer et al.
4,005,525 A	2/1977	Gringer		6,349,473 B1	2/2002 Schmidt
D267,826 S	2/1983	Gringer		D455,900 S	4/2002 Tecson
D274,952 S	7/1984	Gringer		6,405,616 B1	6/2002 Chen
D274,953 S	7/1984	Gringer		6,415,514 B1	7/2002 Chun
4,558,517 A	12/1985	Gringer		D461,309 S	8/2002 Erickson et al.
D282,881 S	3/1986	Gringer		6,438,849 B1	8/2002 Wondrley
D296,498 S	7/1988	Colling		D462,514 S	9/2002 Rivera et al.
4,805,304 A	2/1989	Knoop		D463,639 S	9/2002 Panfili et al.
D300,112 S	3/1989	Osterhout		6,474,519 B1	11/2002 Cleveland
5,022,156 A	6/1991	Kallens et al.		D467,395 S	12/2002 McCool
5,025,558 A	6/1991	Gilbert		6,487,778 B1	12/2002 Gringer et al.
D319,379 S	8/1991	Cummings et al.		D468,989 S	1/2003 Gringer et al.
5,056,226 A	10/1991	Gringer		6,530,098 B1	3/2003 Gringer et al.
D324,473 S *	3/1992	Chen	D8/80	6,568,087 B1	5/2003 Gringer
D326,546 S	5/1992	Gringer		D479,374 S	9/2003 Gringer et al.
D327,553 S	6/1992	Gringer		D479,375 S	9/2003 Gringer et al.
5,121,544 A	6/1992	Gilbert		6,637,112 B2	10/2003 Davis et al.
5,141,517 A	8/1992	Schutt		D489,851 S	5/2004 Jones et al.
D331,692 S	12/1992	Rieser		6,732,395 B2	5/2004 Gringer
D346,319 S	4/1994	Lavallee et al.		D495,198 S *	8/2004 Gonzalez D7/395
D353,085 S	12/1994	Choi		6,832,438 B1	12/2004 Gringer et al.
5,386,632 A	2/1995	Schmidt		D506,311 S	6/2005 Nigh
RE34,979 E	6/1995	Gringer		6,964,100 B1	11/2005 Musland
D359,672 S	6/1995	Gardiner		D515,387 S *	2/2006 Hung D8/80
5,426,855 A	6/1995	Keklak et al.		D516,263 S	2/2006 Gringer et al.
5,433,004 A	7/1995	Thompson		7,055,407 B2	6/2006 Gringer
5,435,064 A	7/1995	Brookfield		D526,185 S *	8/2006 Hung D8/107
D364,252 S	11/1995	Henke		D526,532 S	8/2006 Munari
5,501,382 A	3/1996	Webb		D527,241 S	8/2006 Davis et al.
5,528,832 A	6/1996	Schmidt		D527,580 S	9/2006 Munari
5,545,175 A	8/1996	Abidin et al.		D529,780 S	10/2006 Davis et al.
5,581,890 A	12/1996	Schmidt		D531,864 S	11/2006 Ping
5,613,300 A	3/1997	Schmidt		D533,343 S	12/2006 Gringer
D384,564 S *	10/1997	Bengtsson et al.	D8/75	7,150,102 B2	12/2006 Gringer et al.
D397,020 S	8/1998	Pardue		D537,591 S	2/2007 Gringer et al.
5,813,121 A	9/1998	Gringer		7,325,313 B2	2/2008 Gringer et al.
D399,722 S	10/1998	Eidsmoe et al.		7,346,988 B2	3/2008 Gringer et al.
D411,780 S	7/1999	Muller		D567,602 S *	4/2008 Choy et al. D8/14
D414,395 S	9/1999	Panfili		2002/0008128 A1	1/2002 Field
5,956,799 A	9/1999	Panaccione et al.		2004/0040991 A1	3/2004 McCoy
D417,073 S	11/1999	Diener et al.		2004/0173650 A1	9/2004 Berns
6,026,575 A	2/2000	Wonderley		2005/0097756 A1	5/2005 Gringer et al.
D421,890 S	3/2000	Alexander et al.		2005/0279787 A1	12/2005 Davis
6,044,562 A	4/2000	Dillenbeck		2007/0209209 A1	9/2007 Davis
6,058,607 A	5/2000	Gringer			
6,085,952 A	7/2000	Garland			
6,131,290 A	10/2000	Chiou			

OTHER PUBLICATIONS

“The Installation Tools”, Ace Industrial (Ningbo) Co., Ltd.

* cited by examiner

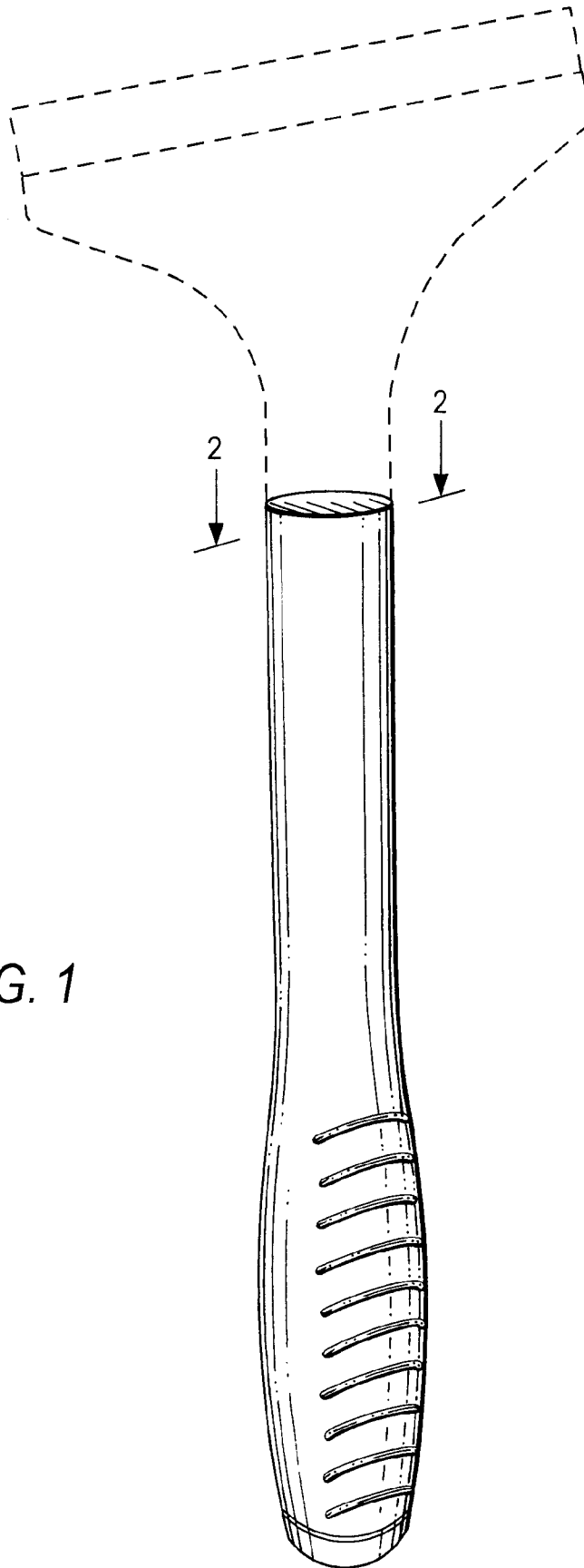


FIG. 1

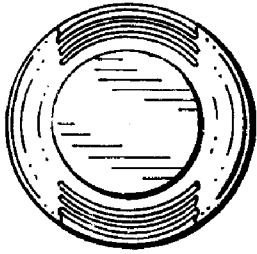


FIG. 2

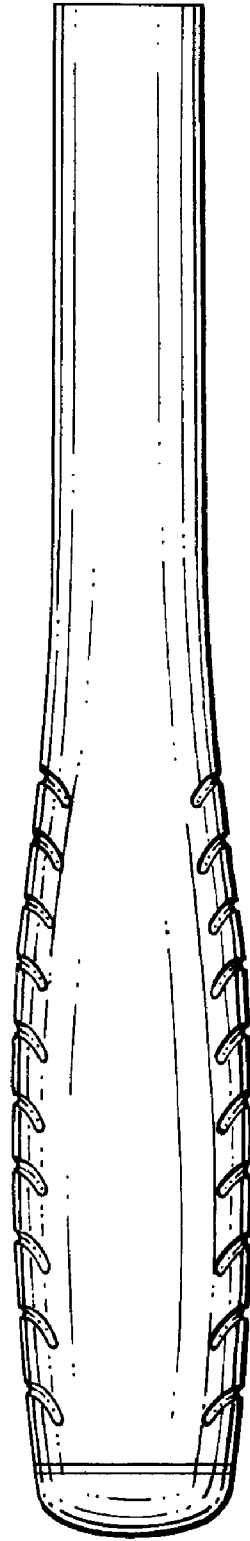


FIG. 3

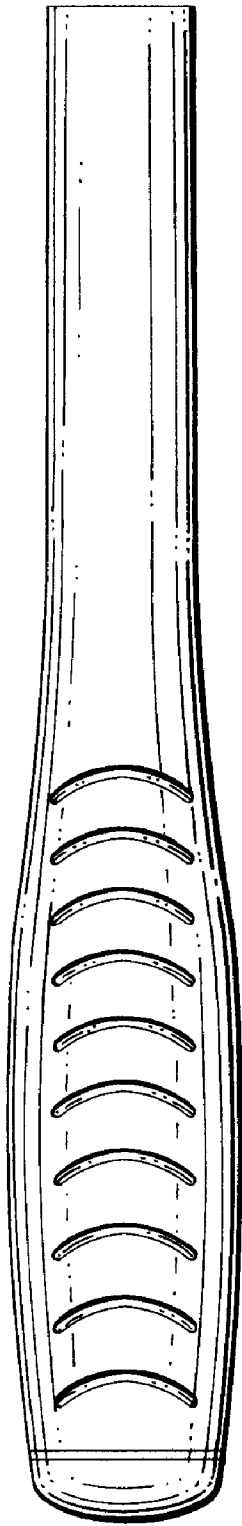


FIG. 4

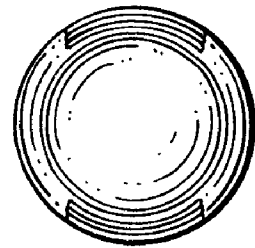


FIG. 5