

(19) World Intellectual Property Organization
International Bureau



(43) International Publication Date
18 June 2009 (18.06.2009)

PCT

(10) International Publication Number
WO 2009/074444 A3

- (51) International Patent Classification:
G06F 9/445 (2006.01)
- (21) International Application Number:
PCT/EP2008/066017
- (22) International Filing Date:
21 November 2008 (21.11.2008)
- (25) Filing Language: English
- (26) Publication Language: English
- (30) Priority Data:
61/013,365 13 December 2007 (13.12.2007) US
- (71) Applicant (for all designated States except US): TELEFONAKTIEBOLAGET L M ERICSSON (publ)
[SE/SE]; S-164 83 Stockholm (SE).
- (72) Inventor; and
- (75) Inventor/Applicant (for US only): MORTON, Derek
[GB/SE]; Telefonaktiebolaget LM Ericsson (publ), S-164 83 Stockholm (SE).
- (74) Agent: ZACCO DENMARK A/S; Hans Bekkevolds Allé 7, DK-2900 Hellerup (DK).

(81) Designated States (unless otherwise indicated, for every kind of national protection available): AE, AG, AL, AM, AO, AT, AU, AZ, BA, BB, BG, BH, BR, BW, BY, BZ, CA, CH, CN, CO, CR, CU, CZ, DE, DK, DM, DO, DZ, EC, EE, EG, ES, FI, GB, GD, GE, GH, GM, GT, HN, HR, HU, ID, IL, IN, IS, JP, KE, KG, KM, KN, KP, KR, KZ, LA, LC, LK, LR, LS, LT, LU, LY, MA, MD, ME, MG, MK, MN, MW, MX, MY, MZ, NA, NG, NI, NO, NZ, OM, PG, PH, PL, PT, RO, RS, RU, SC, SD, SE, SG, SK, SL, SM, ST, SV, SY, TJ, TM, TN, TR, TT, TZ, UA, UG, US, UZ, VC, VN, ZA, ZM, ZW.

(84) Designated States (unless otherwise indicated, for every kind of regional protection available): ARIPO (BW, GH, GM, KE, LS, MW, MZ, NA, SD, SL, SZ, TZ, UG, ZM, ZW), Eurasian (AM, AZ, BY, KG, KZ, MD, RU, TJ, TM), European (AT, BE, BG, CH, CY, CZ, DE, DK, EE, ES, FI, FR, GB, GR, HR, HU, IE, IS, IT, LT, LU, LV, MC, MT, NL, NO, PL, PT, RO, SE, SI, SK, TR), OAPI (BF, BJ, CF, CG, CI, CM, GA, GN, GQ, GW, ML, MR, NE, SN, TD, TG).

[Continued on next page]

(54) Title: UPDATING FIRMWARE OF AN ELECTRONIC DEVICE

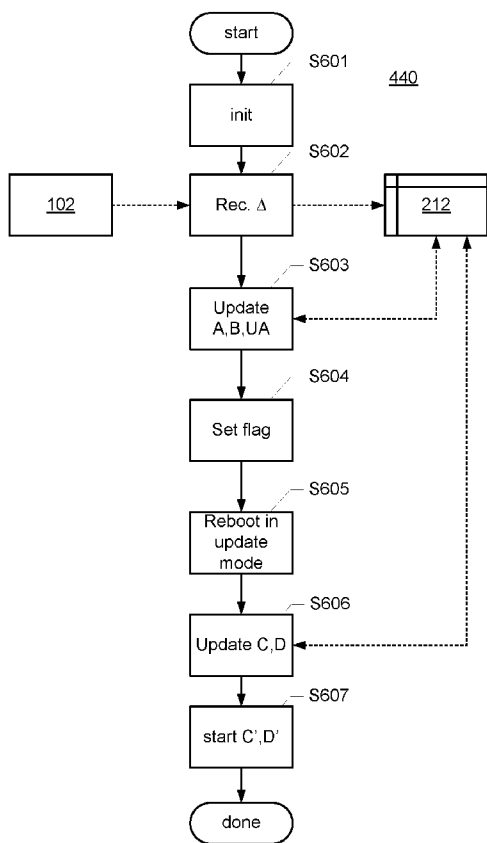


FIG. 6

(57) Abstract: Disclosed is a method for updating software of an electronic device from a current to an updated version. A first set of load modules of the software is required for operating the electronic device in an update mode. The method comprises: receiving and storing incremental update instructions, executing a first set of update instructions so as to update the stored current version of the first set of load modules with the generated updated version of the first set of load modules; booting the electronic device in said update mode in which only the updated version of the first set of load modules is executed; and executing a stored second set of update instructions so as to perform an in-place update of the rest of the load modules.

WO 2009/074444 A3



Published:

- *with international search report*
- *before the expiration of the time limit for amending the claims and to be republished in the event of receipt of amendments*

(88) Date of publication of the international search report:
30 July 2009

INTERNATIONAL SEARCH REPORT

International application No
PCT/EP2008/066017

A. CLASSIFICATION OF SUBJECT MATTER
INV. G06F9/445

According to International Patent Classification (IPC) or to both national classification and IPC

B. FIELDS SEARCHED

Minimum documentation searched (classification system followed by classification symbols)
G06F

Documentation searched other than minimum documentation to the extent that such documents are included in the fields searched

Electronic data base consulted during the international search (name of data base and, where practical, search terms used)

EPO-Internal

C. DOCUMENTS CONSIDERED TO BE RELEVANT

| Category* | Citation of document, with indication, where appropriate, of the relevant passages | Relevant to claim No. |
|-----------|--|-----------------------|
| Y | WO 2005/101200 A (RED BEND LTD [IL]; MELLER EVYATAR [IL]; PELEG SHARON [IL]) 27 October 2005 (2005-10-27) page 6, line 17 - line 29 | 1-19 |
| Y | EP 0 849 667 A (PHILIPS PATENTVERWALTUNG [DE]; PHILIPS ELECTRONICS NV [NL] PHILIPS INT) 24 June 1998 (1998-06-24) column 5, line 13 - line 45 | 1-19 |

Further documents are listed in the continuation of Box C.

See patent family annex.

* Special categories of cited documents :

- *A* document defining the general state of the art which is not considered to be of particular relevance
- *E* earlier document but published on or after the international filing date
- *L* document which may throw doubts on priority claim(s) or which is cited to establish the publication date of another citation or other special reason (as specified)
- *O* document referring to an oral disclosure, use, exhibition or other means
- *P* document published prior to the international filing date but later than the priority date claimed

- *T* later document published after the international filing date or priority date and not in conflict with the application but cited to understand the principle or theory underlying the invention
- *X* document of particular relevance; the claimed invention cannot be considered novel or cannot be considered to involve an inventive step when the document is taken alone
- *Y* document of particular relevance; the claimed invention cannot be considered to involve an inventive step when the document is combined with one or more other such documents, such combination being obvious to a person skilled in the art.
- * & * document member of the same patent family

Date of the actual completion of the international search

3 June 2009

Date of mailing of the international search report

15/06/2009

Name and mailing address of the ISA/

European Patent Office, P.B. 5818 Patentlaan 2
NL - 2280 HV Rijswijk
Tel. (+31-70) 340-2040,
Fax: (+31-70) 340-3016

Authorized officer

Ebert, Werner

INTERNATIONAL SEARCH REPORT

Information on patent family members

International application No

PCT/EP2008/066017

| Patent document cited in search report | | Publication date | | Patent family member(s) | | Publication date |
|--|---|------------------|----|-------------------------|--|------------------|
| WO 2005101200 | A | 27-10-2005 | US | 2008196019 A1 | | 14-08-2008 |
| EP 0849667 | A | 24-06-1998 | DE | 19652629 A1 | | 25-06-1998 |
| | | | JP | 10214192 A | | 11-08-1998 |
| | | | US | 6047128 A | | 04-04-2000 |