



US00D796382S

(12) **United States Design Patent**
Lai

(10) **Patent No.:** **US D796,382 S**

(45) **Date of Patent:** **** Sep. 5, 2017**

- (54) **SOLAR ENERGY TRAILER**
- (71) Applicant: **Avertronics Inc.**, Taichung (TW)
- (72) Inventor: **Bing-Yuan Lai**, Taichung (TW)
- (73) Assignee: **Avertronics Inc.**, Taichung (TW)
- (**) Term: **15 Years**

D584,223	S	*	1/2009	Cooper	D13/102
D625,667	S	*	10/2010	Oviedo	D12/102
D727,842	S	*	4/2015	Auberton-Herve	D13/102
D742,815	S	*	11/2015	Shaw	D12/103
D758,922	S	*	6/2016	Cavallo	D12/102
2012/0042936	A1	*	2/2012	Feichtinger	B62K 27/003
						136/252
2012/0291847	A1	*	11/2012	Rowe, Jr.	H02S 30/20
						136/245

- (21) Appl. No.: **29/561,678**
- (22) Filed: **Apr. 19, 2016**
- (51) **LOC (10) Cl.** **12-10**
- (52) **U.S. Cl.**
USPC **D12/101; D13/102**
- (58) **Field of Classification Search**
USPC D12/19, 100-106, 111-112, 129;
D13/102; D21/425, 435; D34/12, 16-19,
D34/21-26
CPC B62D 35/00; B62D 35/02; A62B 3/005;
B60P 3/10; B60P 3/1033; E01F 15/14
See application file for complete search history.

* cited by examiner

Primary Examiner — Darlington Ly
(74) *Attorney, Agent, or Firm* — Alan D. Kamrath;
Kamrath IP Lawfirm, P.A.

(57) **CLAIM**

The ornamental design for a solar energy trailer, as shown and described.

DESCRIPTION

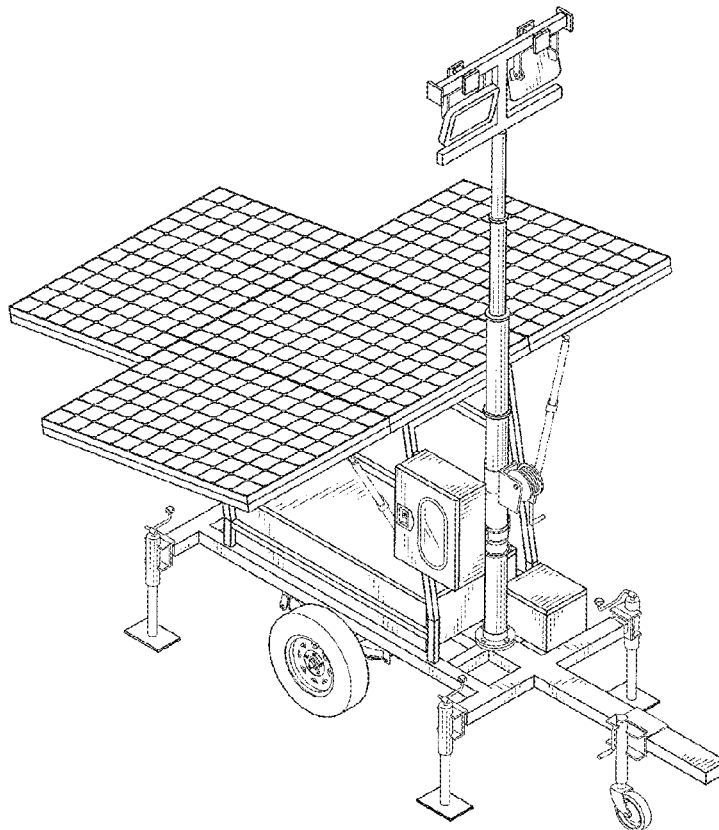
FIG. 1 is a top, front, and right side perspective view of a solar energy trailer showing my new design; FIG. 2 is a right side elevation view thereof; FIG. 3 is a left side elevation view thereof; FIG. 4 is a front elevation view thereof; FIG. 5 is a rear elevation view thereof; FIG. 6 is a top plan view thereof; and, FIG. 7 is a top, front, and right side perspective view thereof showing the solar panels spread opened.

(56) **References Cited**

U.S. PATENT DOCUMENTS

D340,681	S	*	10/1993	Alpiser	D12/101
D392,223	S	*	3/1998	Alpiser	D12/101

1 Claim, 5 Drawing Sheets



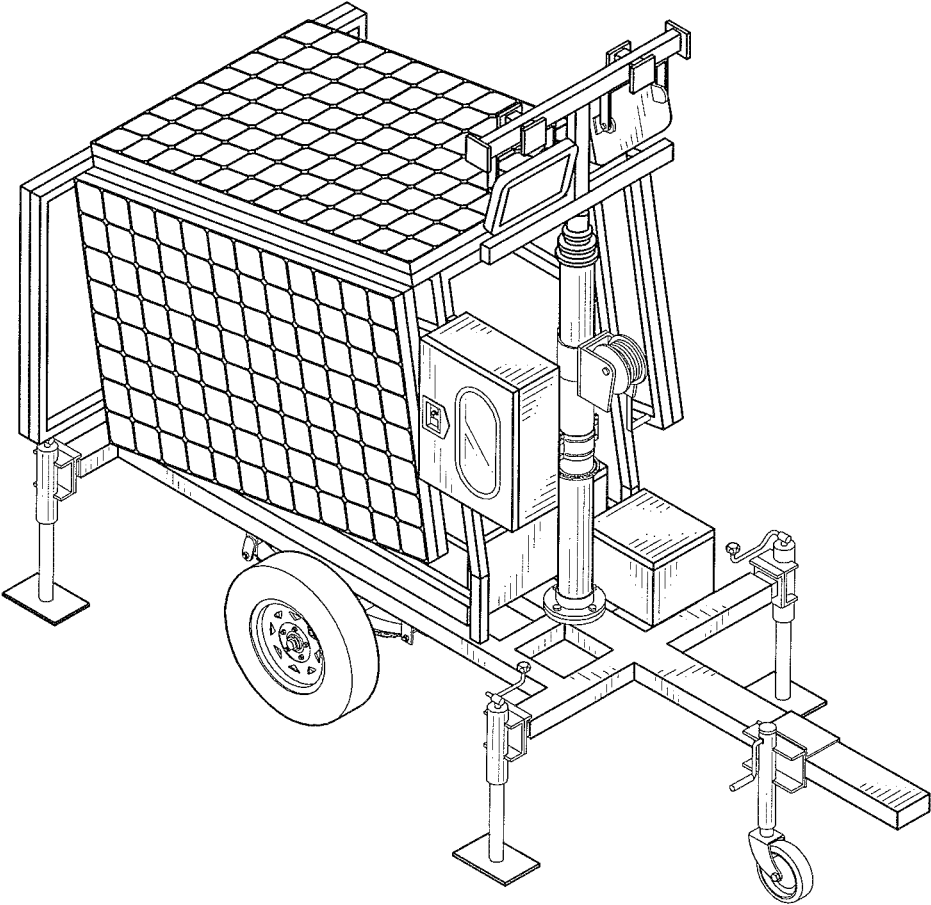


FIG. 1

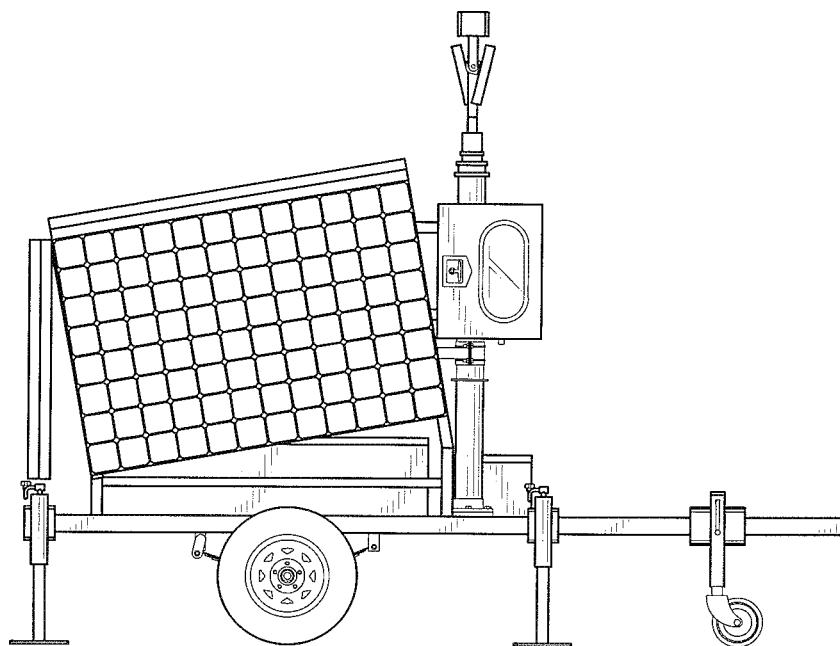


FIG. 2

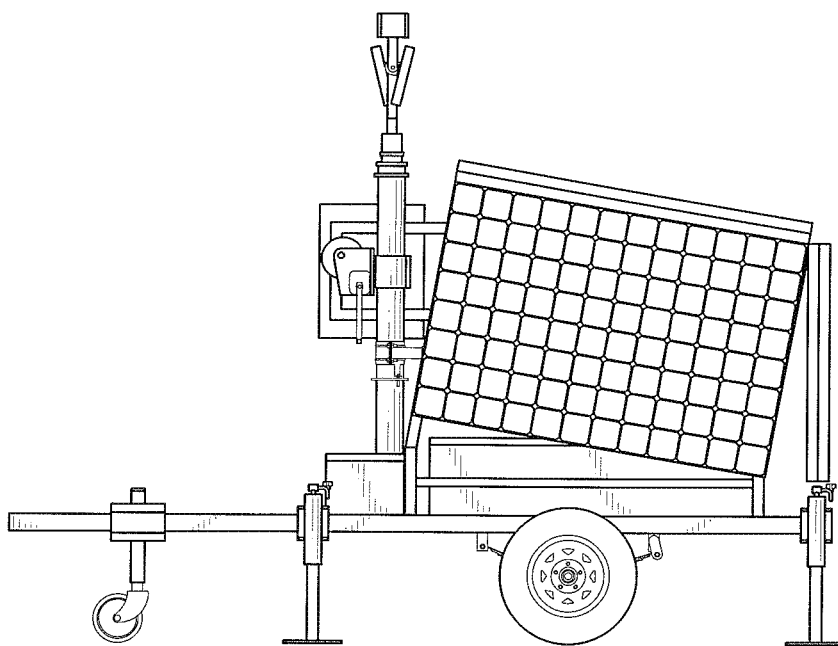


FIG. 3

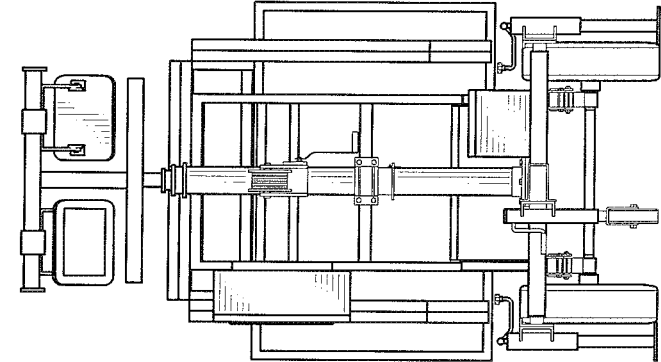


FIG. 5

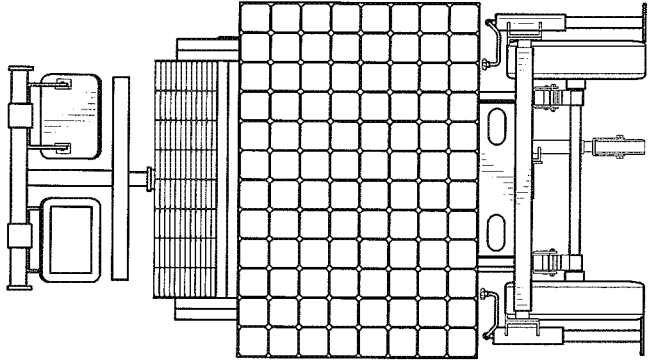


FIG. 4

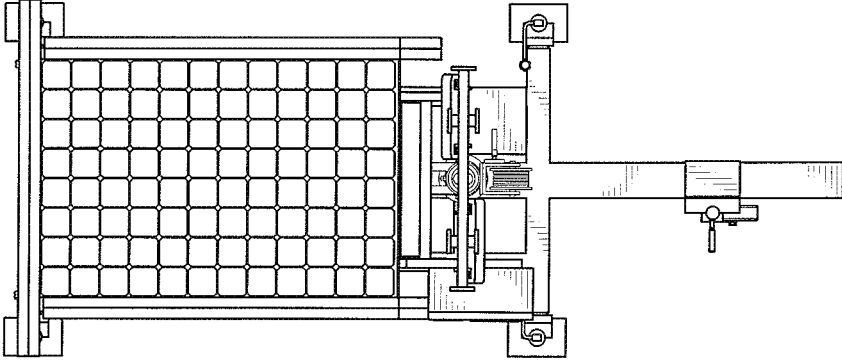


FIG. 6

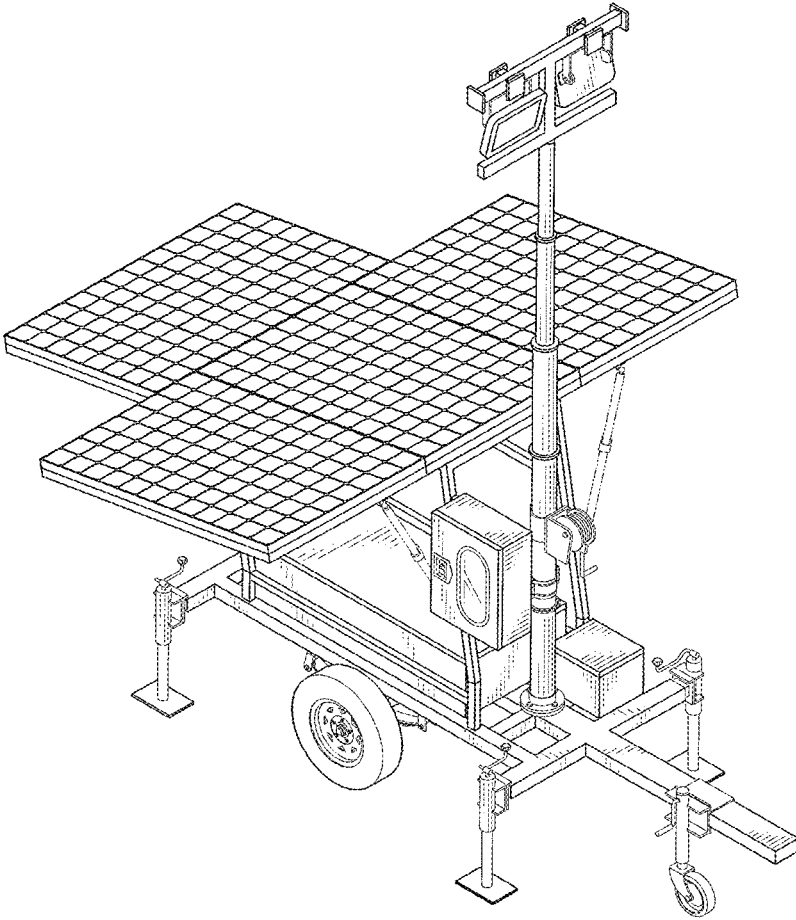


FIG. 7