

(19) World Intellectual Property Organization
International Bureau



(43) International Publication Date
21 December 2006 (21.12.2006)

PCT

(10) International Publication Number
WO 2006/135496 A3

- (51) International Patent Classification:
H01L 33/00 (2006.01)
- (21) International Application Number:
PCT/US2006/016259
- (22) International Filing Date: 27 April 2006 (27.04.2006)
- (25) Filing Language: English
- (26) Publication Language: English
- (30) Priority Data:
11/149,998 10 June 2005 (10.06.2005) US
- (71) Applicant (for all designated States except US): CREE, INC. [US/US]; 4600 Silicon Drive, Durham, North Carolina 27703 (US).
- (72) Inventors: LEUNG, Michael; 68 Knox Avenue, Ventura, California 93003 (US). IBBETSON, James; 910 Randolph Road, Santa Barbara, CA 93111 (US).
- (74) Agent: HEYBL, Jaye; KOPPEL, PATRICK & HEYBL, 555 St. Charles Drive, Suite 107, Thousand Oaks, California 91360 (US).

AT, AU, AZ, BA, BB, BG, BR, BW, BY, BZ, CA, CH, CN, CO, CR, CU, CZ, DE, DK, DM, DZ, EC, EE, EG, ES, FI, GB, GD, GE, GH, GM, HR, HU, ID, IL, IN, IS, JP, KE, KG, KM, KN, KP, KR, KZ, LC, LK, LR, LS, LT, LU, LV, LY, MA, MD, MG, MK, MN, MW, MX, MZ, NA, NG, NI, NO, NZ, OM, PG, PH, PL, PT, RO, RU, SC, SD, SE, SG, SK, SL, SM, SY, TJ, TM, TN, TR, TT, TZ, UA, UG, US, UZ, VC, VN, YU, ZA, ZM, ZW.

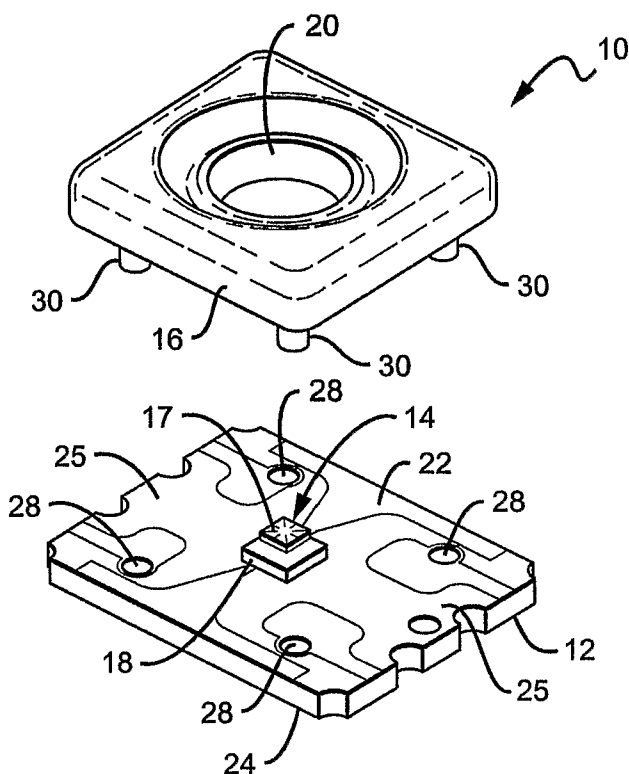
(84) Designated States (unless otherwise indicated, for every kind of regional protection available): ARIPO (BW, GH, GM, KE, LS, MW, MZ, NA, SD, SL, SZ, TZ, UG, ZM, ZW), Eurasian (AM, AZ, BY, KG, KZ, MD, RU, TJ, TM), European (AT, BE, BG, CH, CY, CZ, DE, DK, EE, ES, FI, FR, GB, GR, HU, IE, IS, IT, LT, LU, LV, MC, NL, PL, PT, RO, SE, SI, SK, TR), OAPI (BF, BJ, CF, CG, CI, CM, GA, GN, GQ, GW, ML, MR, NE, SN, TD, TG).

Published:
— with international search report

(88) Date of publication of the international search report:
26 April 2007

For two-letter codes and other abbreviations, refer to the "Guidance Notes on Codes and Abbreviations" appearing at the beginning of each regular issue of the PCT Gazette.

(54) Title: LED PACKAGE



(57) Abstract: Adhesive-free assembly of the substrate (12) and reflector components (16) of a semiconductor die package (10) is achieved by injection molding the reflector (16) onto a surface (22) of the substrate (12) or by molding the reflector (16) separate from the substrate (12) and securing it in place on the substrate (12) through deformation of a portion (36) of the reflector (16). The reflector (16) may be made reflective either by molding the reflector (16) using a light scattering material or through the addition of a reflective element (20), such as a piece of foil material that is secured to the reflector (16). A variety of interchangeable reflective elements (20) having different surface shapes, and thus different light reflecting properties, may be made.

WO 2006/135496 A3

INTERNATIONAL SEARCH REPORT

International application No

PCT/US2006/016259

A. CLASSIFICATION OF SUBJECT MATTER

INV. H01L33/00

According to International Patent Classification (IPC) or to both national classification and IPC

B. FIELDS SEARCHED

Minimum documentation searched (classification system followed by classification symbols)

H01L

Documentation searched other than minimum documentation to the extent that such documents are included in the fields searched

Electronic data base consulted during the international search (name of data base and, where practical, search terms used)

EPO-Internal, WPI Data

C. DOCUMENTS CONSIDERED TO BE RELEVANT

Category*	Citation of document, with indication, where appropriate, of the relevant passages	Relevant to claim No.
X	WO 02/17405 A (OSRAM OPTO SEMICONDUCTORS GMBH [DE]; BOGNER GEORG [DE]; BRUNNER HERBER) 28 February 2002 (2002-02-28) page 3, line 32 - page 8, line 8 figures 1-4	1-38
X	WO 2004/044877 A2 (COTCO INTERNAT LTD [CN]; SUEN HUNG TAO [CN]; YI ZHU QINGHANG [CN]; YAN) 27 May 2004 (2004-05-27) page 11, line 2 - page 14, line 9 figures 1-7 ----- -/--	1-38

 Further documents are listed in the continuation of Box C. See patent family annex.

* Special categories of cited documents :

- *A* document defining the general state of the art which is not considered to be of particular relevance
- *E* earlier document but published on or after the international filing date
- *L* document which may throw doubts on priority claim(s) or which is cited to establish the publication date of another citation or other special reason (as specified)
- *O* document referring to an oral disclosure, use, exhibition or other means
- *P* document published prior to the international filing date but later than the priority date claimed

- *T* later document published after the international filing date or priority date and not in conflict with the application but cited to understand the principle or theory underlying the invention
- *X* document of particular relevance; the claimed invention cannot be considered novel or cannot be considered to involve an inventive step when the document is taken alone
- *Y* document of particular relevance; the claimed invention cannot be considered to involve an inventive step when the document is combined with one or more other such documents, such combination being obvious to a person skilled in the art.
- *Z* document member of the same patent family

Date of the actual completion of the international search

24 January 2007

Date of mailing of the international search report

05/02/2007

Name and mailing address of the ISA/

European Patent Office, P.B. 5818 Patentlaan 2
NL - 2280 HV Rijswijk
Tel. (+31-70) 340-2040, Tx. 31 651 epo nl,
Fax: (+31-70) 340-3016

Authorized officer

Sauerer, Christof

INTERNATIONAL SEARCH REPORT

International application No

PCT/US2006/016259

C(Continuation). DOCUMENTS CONSIDERED TO BE RELEVANT		
Category*	Citation of document, with indication, where appropriate, of the relevant passages	Relevant to claim No.
X	US 5 130 761 A (TANAKA TOSHIKI [JP]) 14 July 1992 (1992-07-14) figures 7a,7b column 1, line 11 - line 42	1-8,10, 12,18, 20,22, 28,29, 31-34
X	JP 2001 060072 A (MATSUSHITA ELECTRIC IND CO LTD) 6 March 2001 (2001-03-06) abstract; figure 1	1-13,18, 31-34
A	WO 2005/043627 A (CREE INC [US]; ANDREWS PETER S [US]; LOH BAN P [US]) 12 May 2005 (2005-05-12) abstract page 8, paragraph 39 - page 15, paragraph 52 figures 1A-3	1-38
A	EP 1 521 313 A (LUMILEDS LIGHTING LLC [US]) 6 April 2005 (2005-04-06) column 2, line 37 - column 5, line 4 figures 2-4	1-38
A	EP 1 187 228 A (NIPPON LEIZ CORP [JP]) 13 March 2002 (2002-03-13) column 11, line 38 - line 52 column 13, line 37 - line 56 figures 2,5	1-38

INTERNATIONAL SEARCH REPORT

Information on patent family members

International application No PCT/US2006/016259

Patent document cited in search report	A	Publication date	Patent family member(s)	Publication date
WO 0217405	A	28-02-2002	CN 1471734 A	28-01-2004
			DE 10041328 A1	14-03-2002
			EP 1312124 A1	21-05-2003
			JP 2004507114 T	04-03-2004
			TW 501276 B	01-09-2002
			US 2004047151 A1	11-03-2004
WO 2004044877	A2	27-05-2004	NONE	
US 5130761	A	14-07-1992	NONE	
JP 2001060072	A	06-03-2001	NONE	
WO 2005043627	A	12-05-2005	CA 2549822 A1	12-05-2005
			CN 1871710 A	29-11-2006
			EP 1680816 A1	19-07-2006
EP 1521313	A	06-04-2005	JP 2005117039 A	28-04-2005
			US 2005072980 A1	07-04-2005
EP 1187228	A	13-03-2002	AU 3226101 A	20-08-2001
			CN 1366714 A	28-08-2002
			WO 0159851 A1	16-08-2001
			TW 530424 B	01-05-2003
			US 2002153835 A1	24-10-2002